



US00D602123S

(12) **United States Design Patent**
Sieger

(10) **Patent No.:** **US D602,123 S**

(45) **Date of Patent:** **** Oct. 13, 2009**

(54) **DECK-MOUNT FAUCET**

(75) Inventor: **Michael Sieger**, Sassenberg (DE)

(73) Assignee: **Aloys F. Dornbracht GmbH & Co. KG**, Iserlohn (DE)

(**) Term: **14 Years**

(21) Appl. No.: **29/333,801**

(22) Filed: **Mar. 16, 2009**

Related U.S. Application Data

(62) Division of application No. 29/328,558, filed on Nov. 26, 2008.

Foreign Application Priority Data

May 28, 2008 (EM) 000942339-0008
May 28, 2008 (EM) 000942339-0015
May 28, 2008 (EM) 000942339-0016

(51) **LOC (9) Cl.** **23-01**

(52) **U.S. Cl.** **D23/242**

(58) **Field of Classification Search** D23/200,
D23/238-257; D6/512, 546, 550; D8/300,
D8/307-308, 310-312, 321; 4/675-678;
137/801; 16/110.1, 441

See application file for complete search history.

(56) **References Cited**

U.S. PATENT DOCUMENTS

D287,160 S * 12/1986 Rademacher D23/242

D290,159 S * 6/1987 Jans D23/242
D290,869 S * 7/1987 Paul D23/242
D303,565 S * 9/1989 Paul D23/242
D308,718 S * 6/1990 Strignano D23/242
D312,496 S * 11/1990 Strignano D23/242
D313,066 S * 12/1990 Strignano D23/242
D317,349 S * 6/1991 Rodstein D23/242
D511,201 S * 11/2005 Kulig et al. D23/238
D573,231 S * 7/2008 Kulig D23/242

* cited by examiner

Primary Examiner—T. Chase Nelson

Assistant Examiner—Mark Cavanna

(74) *Attorney, Agent, or Firm*—Andrew Wilford

(57) **CLAIM**

The ornamental design for a deck-mount faucet, as shown and described.

DESCRIPTION

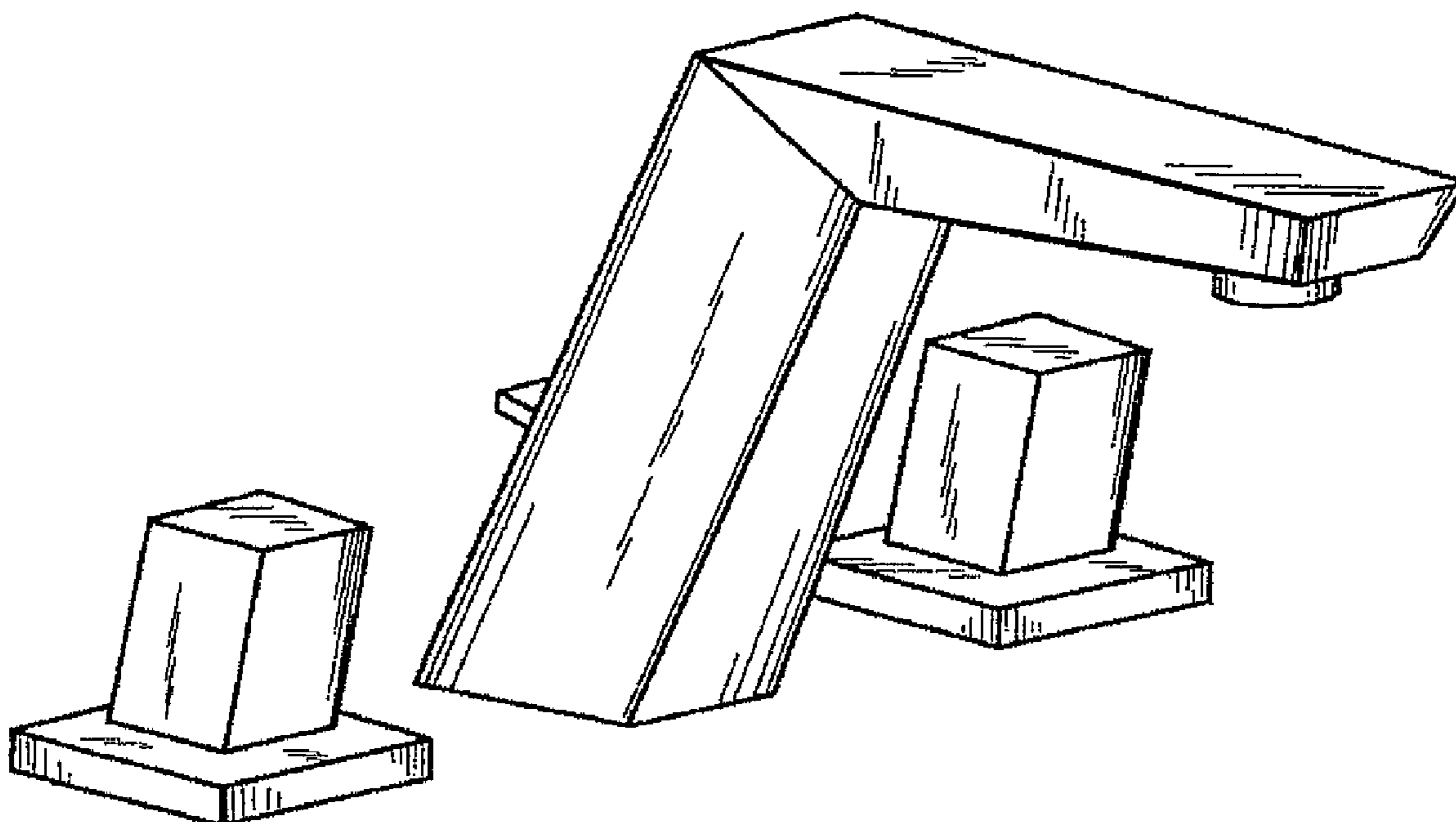
FIGS. 1 and 2 are perspective views from above and front left- and right, respectively, of a deck-mount faucet according to the invention;

FIGS. 3 and 4 are left and right-hand side elevational views, respectively, of the deck-mount faucet;

FIGS. 5 and 6 are front and back elevational views, respectively, of the deck-mount faucet; and,

FIG. 7 is a top view of the deck-mount faucet.

1 Claim, 4 Drawing Sheets



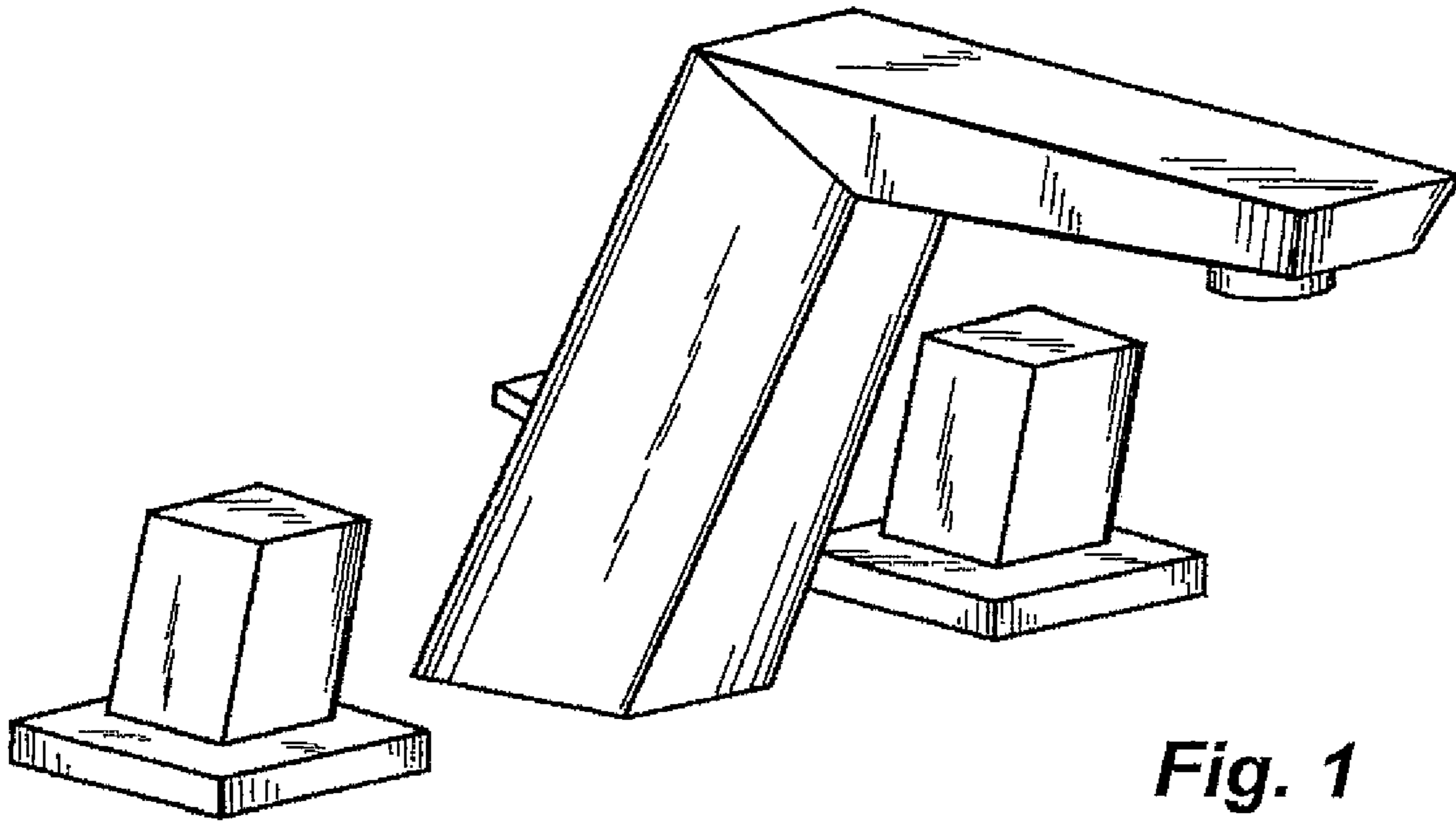


Fig. 1

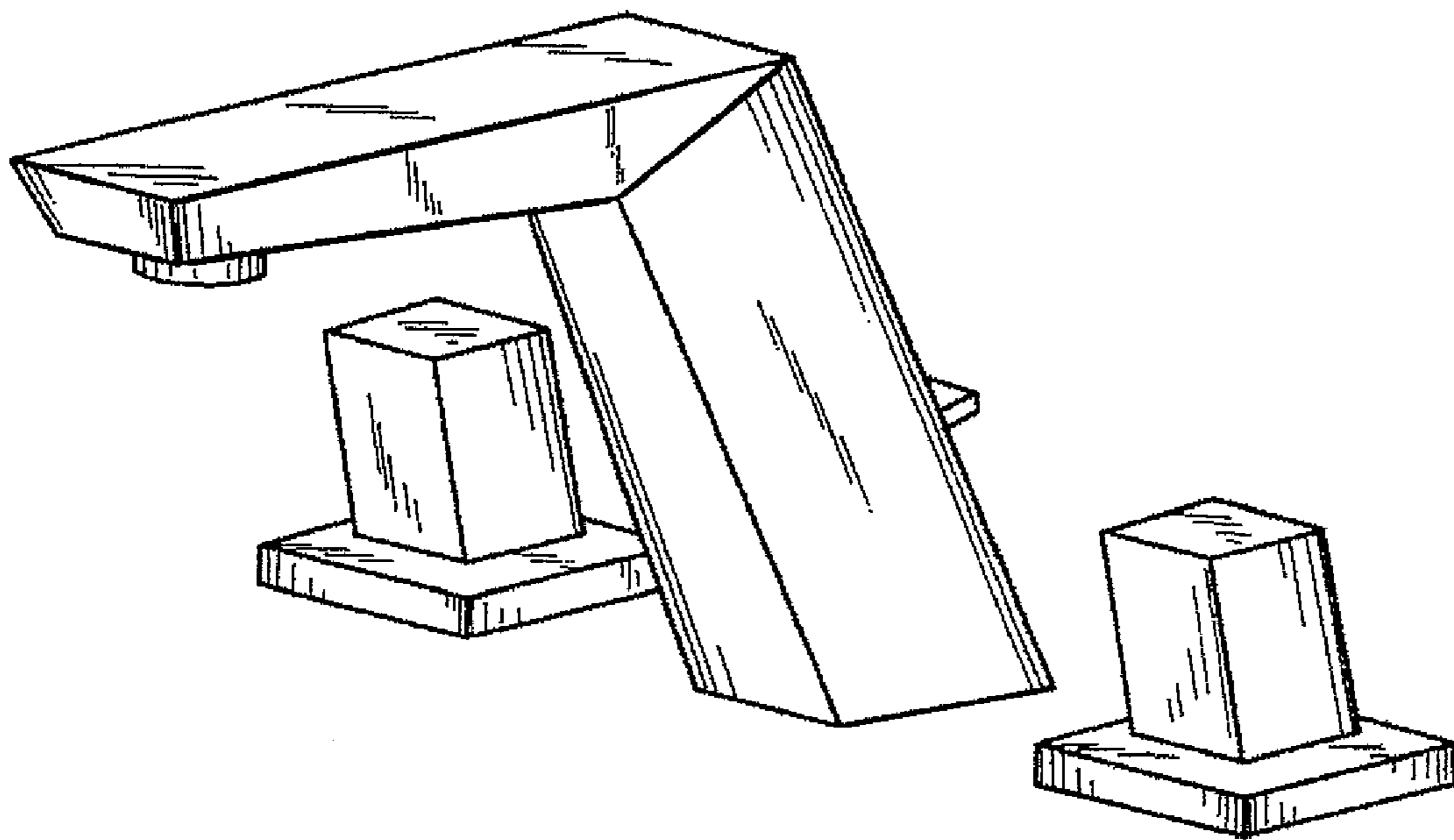


Fig. 2

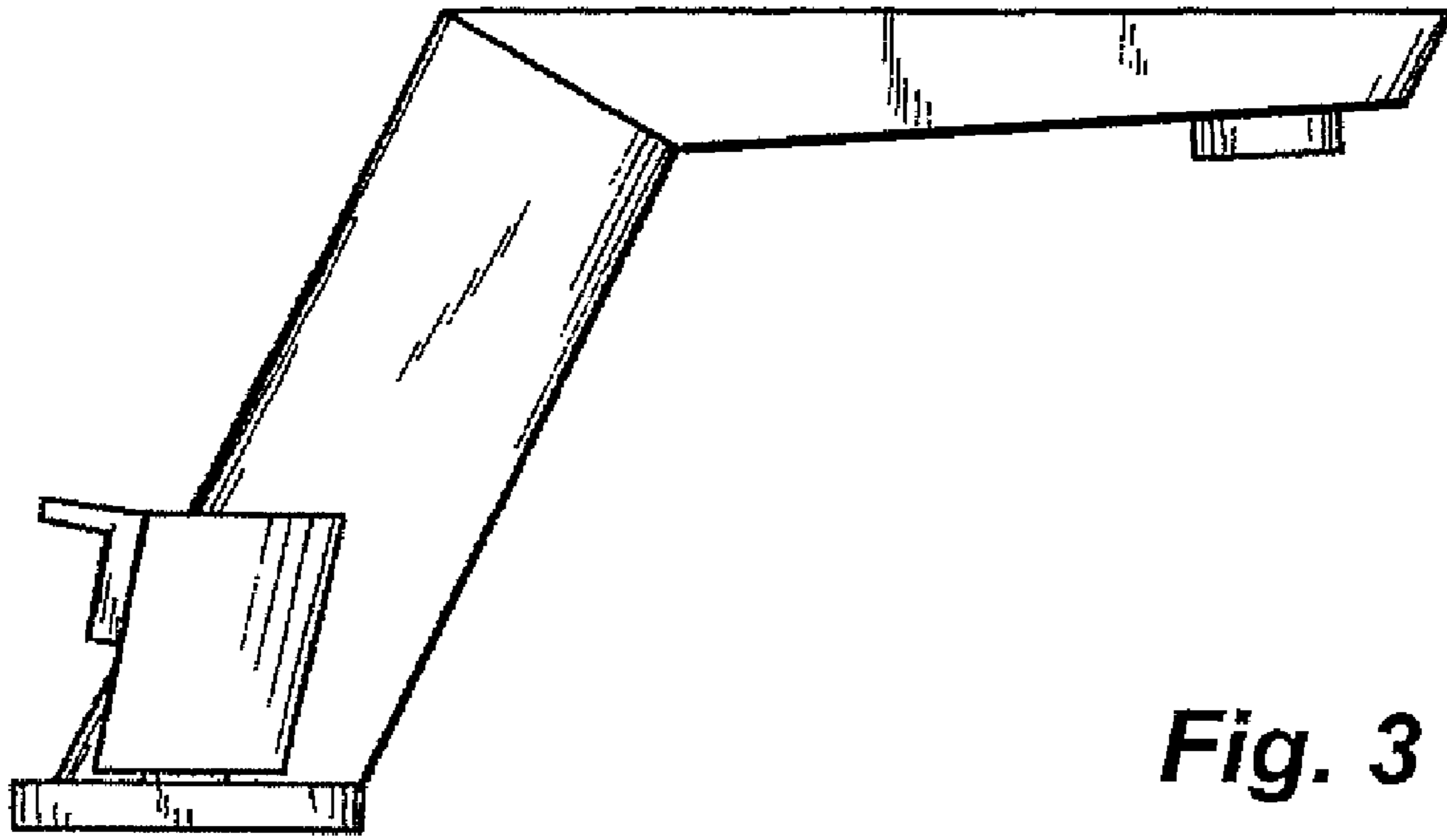


Fig. 3

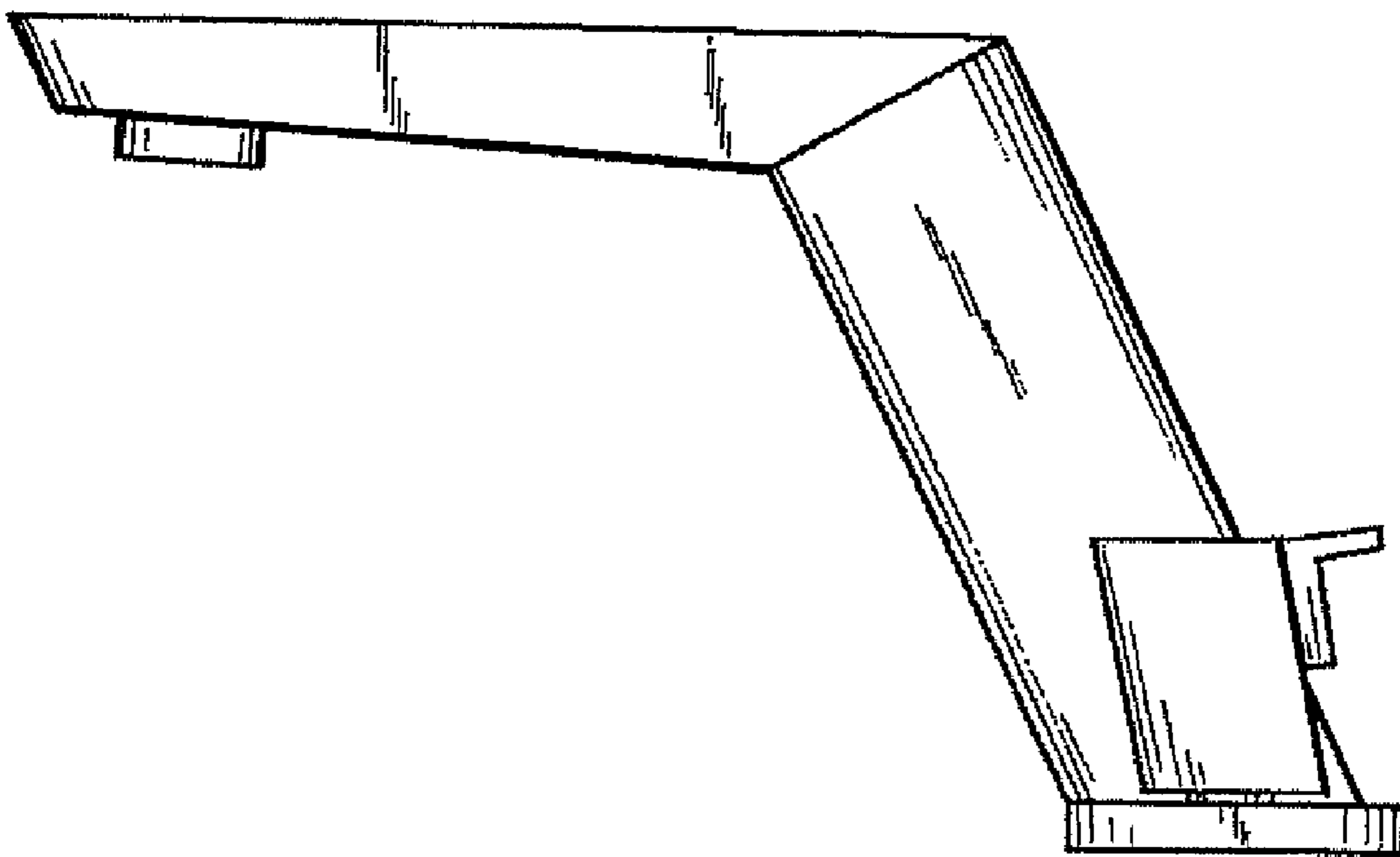


Fig. 4

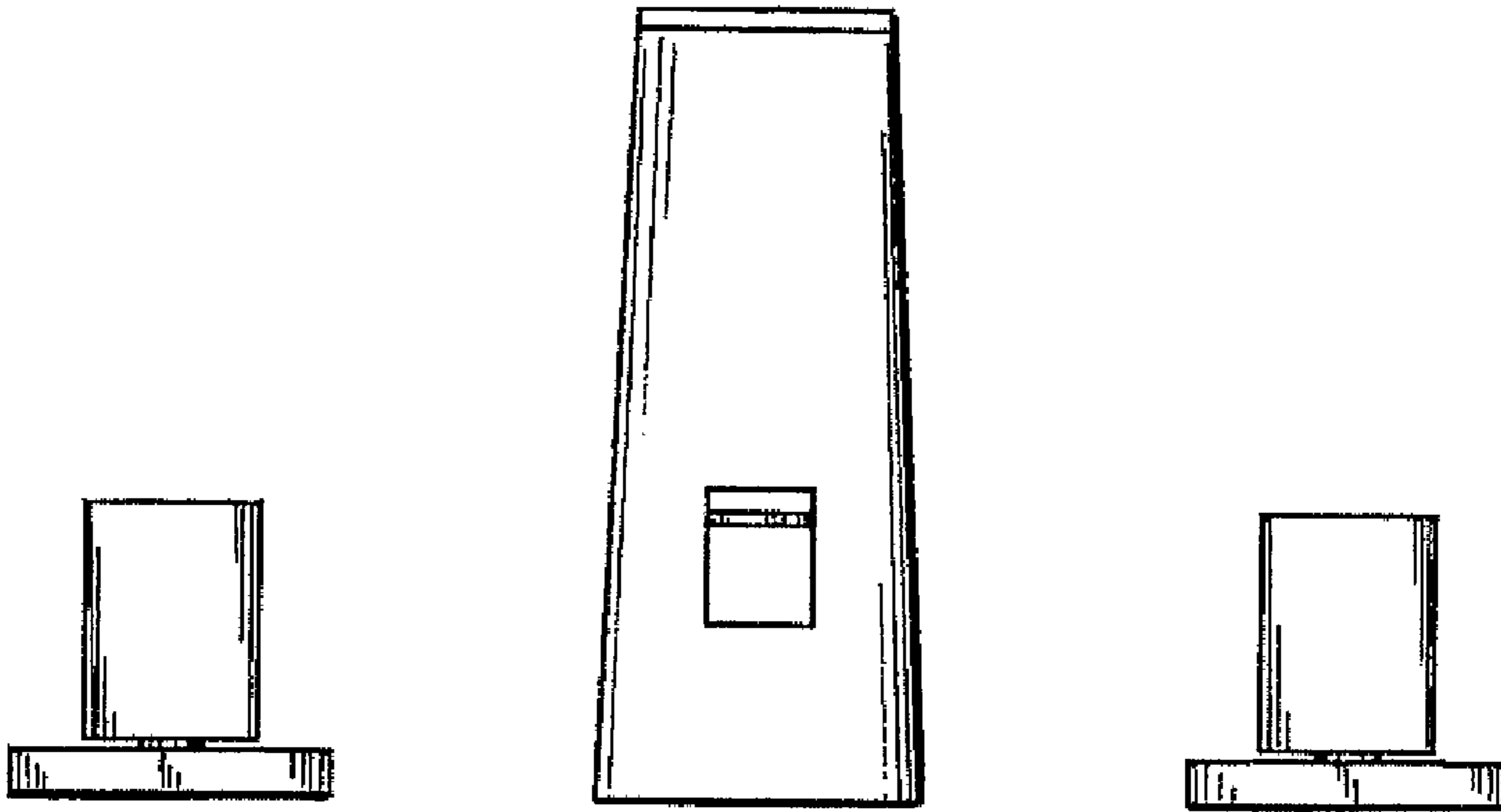


Fig. 5

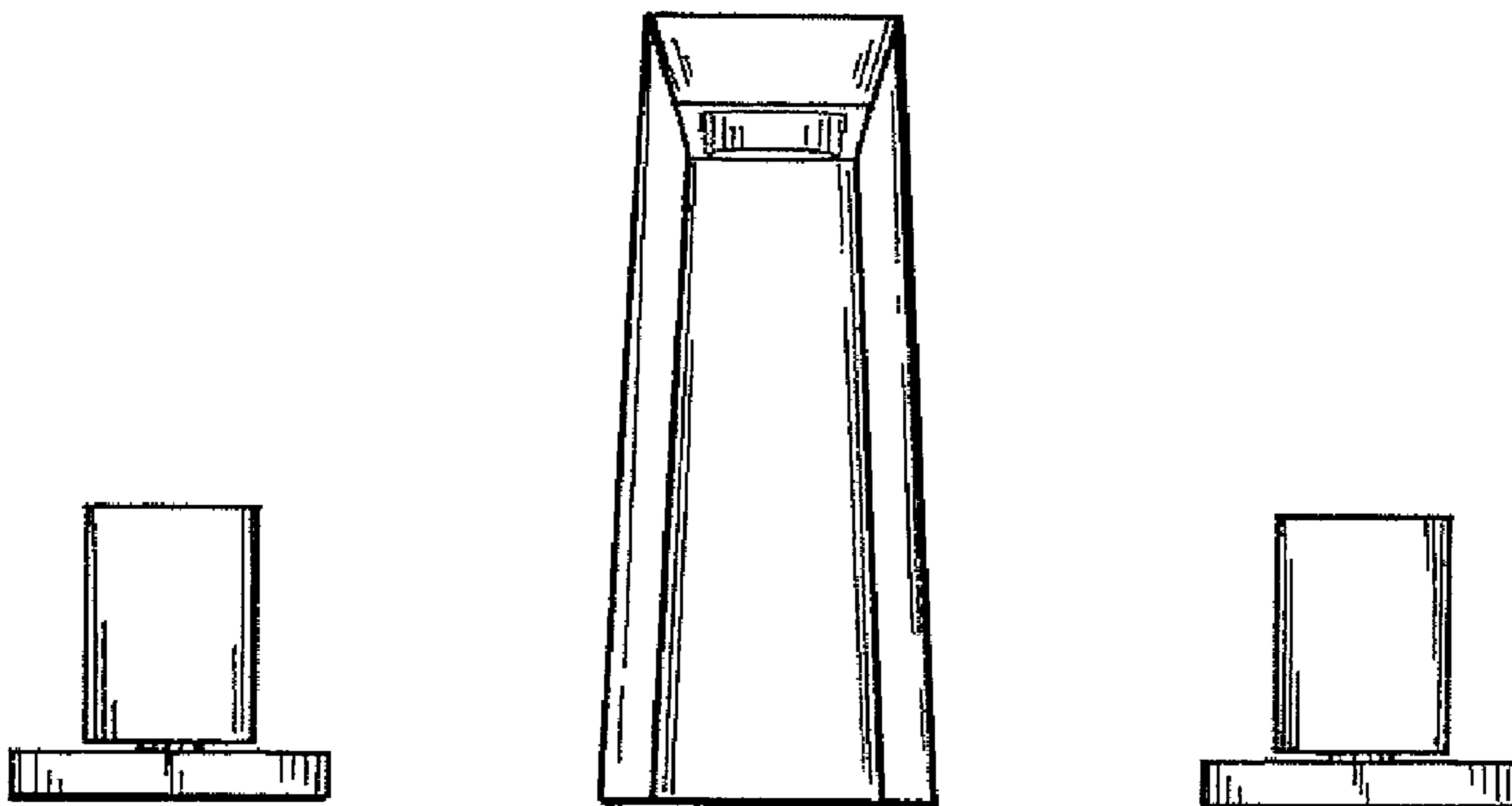


Fig. 6

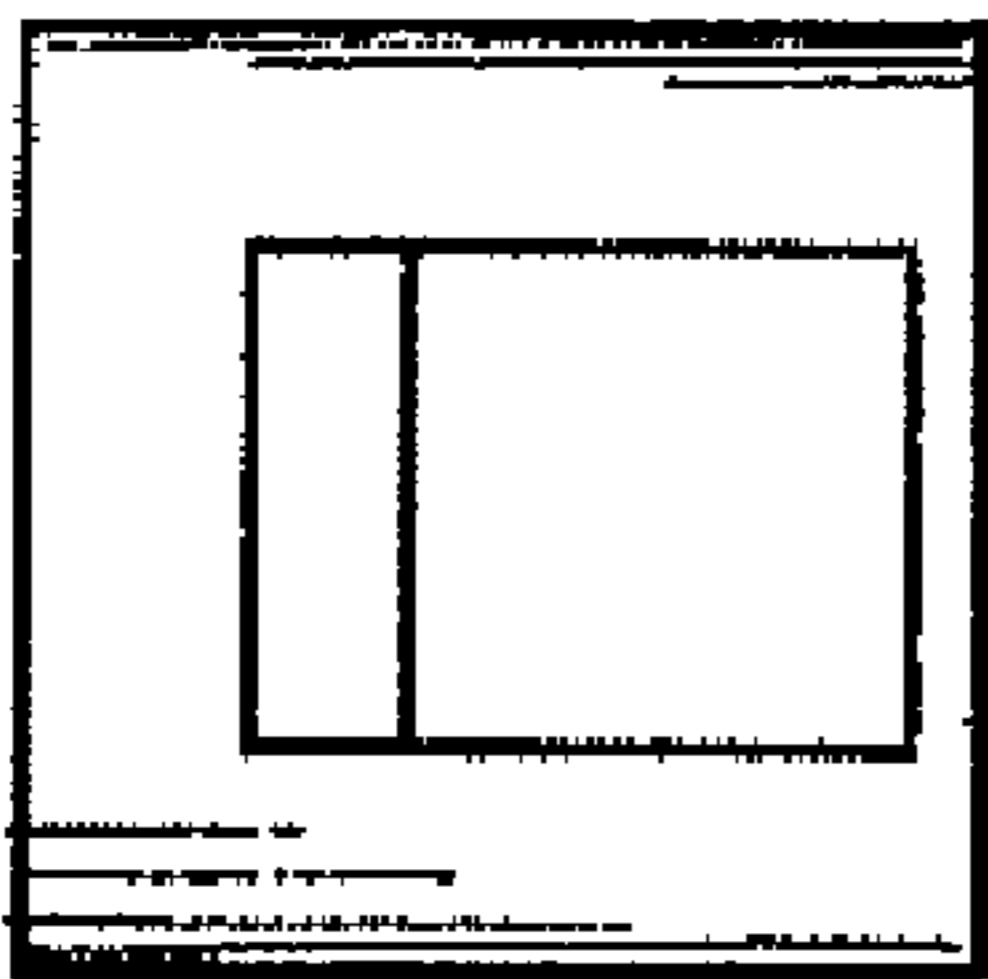
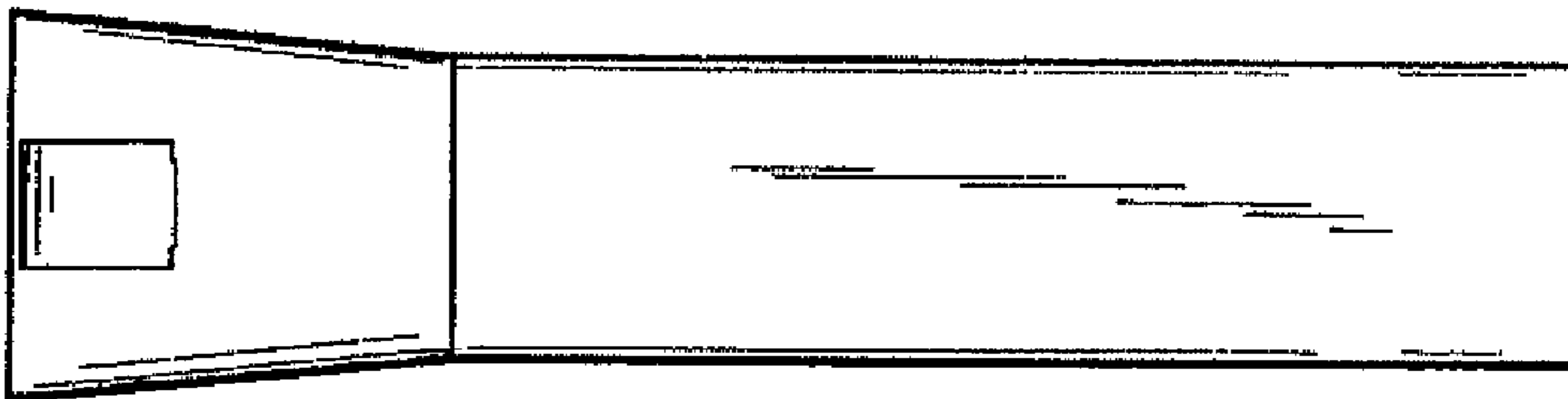
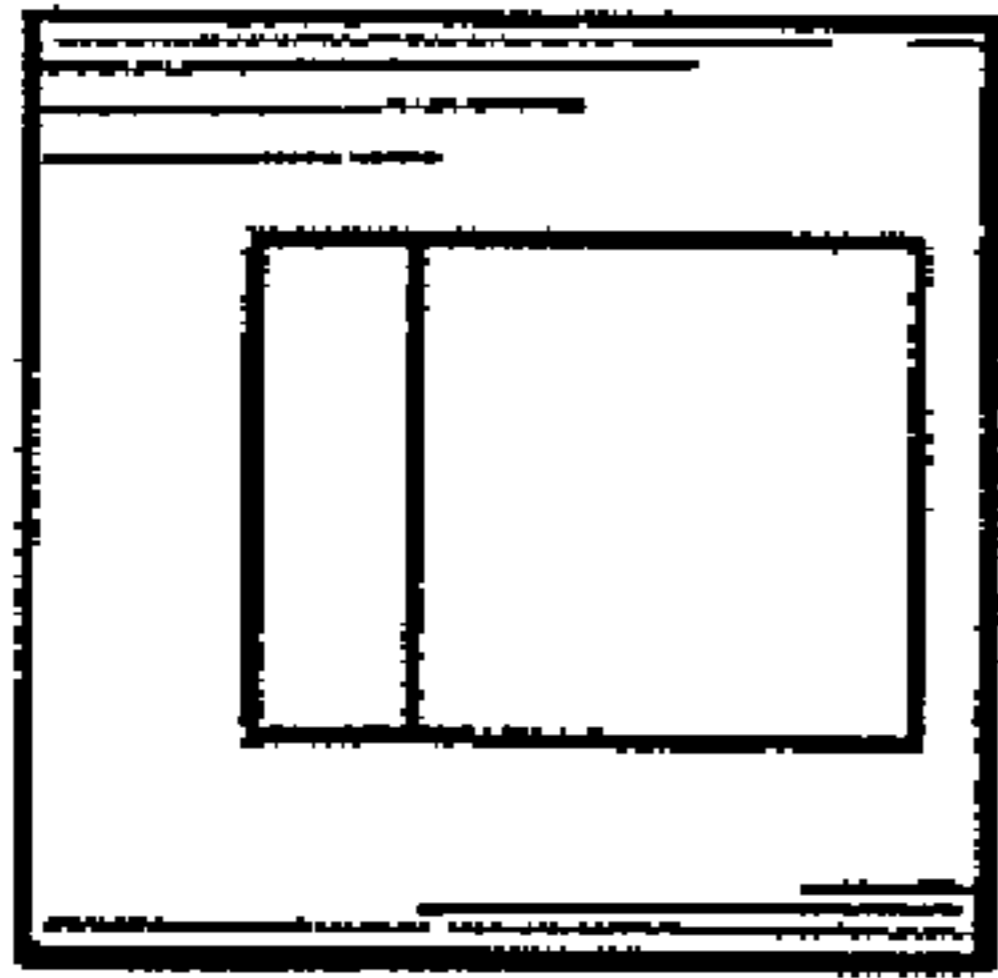


Fig. 7