



US00D602121S

(12) **United States Design Patent**  
**Yabe et al.**

(10) **Patent No.:** **US D602,121 S**  
(45) **Date of Patent:** **\*\* Oct. 13, 2009**

(54) **FAUCET**

(75) Inventors: **Nobuhiro Yabe**, Kitakyushu (JP); **Yuji Yoshioka**, Kitakyushu (JP)

(73) Assignee: **Toto Ltd.**, Kitakyushu-Shi, Fukuoka (JP)

(\*\*) Term: **14 Years**

(21) Appl. No.: **29/332,843**

(22) Filed: **Feb. 26, 2009**

(30) **Foreign Application Priority Data**

Dec. 26, 2008 (JP) ..... 2008-033036

(51) **LOC (9) Cl.** ..... **23-01**

(52) **U.S. Cl.** ..... **D23/238**

(58) **Field of Classification Search** ..... D23/239–243,  
D23/250–254, 255–257; 4/675–678; 137/801;  
16/110.1; D8/300, 307–312; D6/512, 524,  
D6/546, 550

See application file for complete search history.

(56) **References Cited**

**U.S. PATENT DOCUMENTS**

3,724,000 A \* 4/1973 Eakman ..... 4/609  
3,855,642 A \* 12/1974 Blitch ..... 4/609  
D238,490 S \* 1/1976 Blitch ..... D23/307  
D244,774 S \* 6/1977 Dose ..... D23/307  
4,189,790 A \* 2/1980 Masters, III ..... 4/559  
D271,516 S \* 11/1983 Dose et al. .... D23/307  
D312,301 S \* 11/1990 Brown ..... D23/307

D389,232 S \* 1/1998 Pangowski ..... D23/307  
D517,169 S \* 3/2006 Ogata et al. .... D23/238  
D539,880 S \* 4/2007 Johnson, I ..... D23/307  
D541,906 S \* 5/2007 Qing ..... D23/238  
D590,050 S \* 4/2009 Miyamoto ..... D23/255

**FOREIGN PATENT DOCUMENTS**

HK 000784590-0031 11/2007

\* cited by examiner

*Primary Examiner*—Robert A Delehanty

(74) *Attorney, Agent, or Firm*—Birch, Stewart, Kolasch & Birch, LLP

(57) **CLAIM**

The ornamental design for a faucet, as shown and described.

**DESCRIPTION**

FIG. 1 is a perspective view of the top, front and right side of a faucet showing our new design;

FIG. 2 is a front view thereof;

FIG. 3 is a rear view thereof;

FIG. 4 is a left side view thereof;

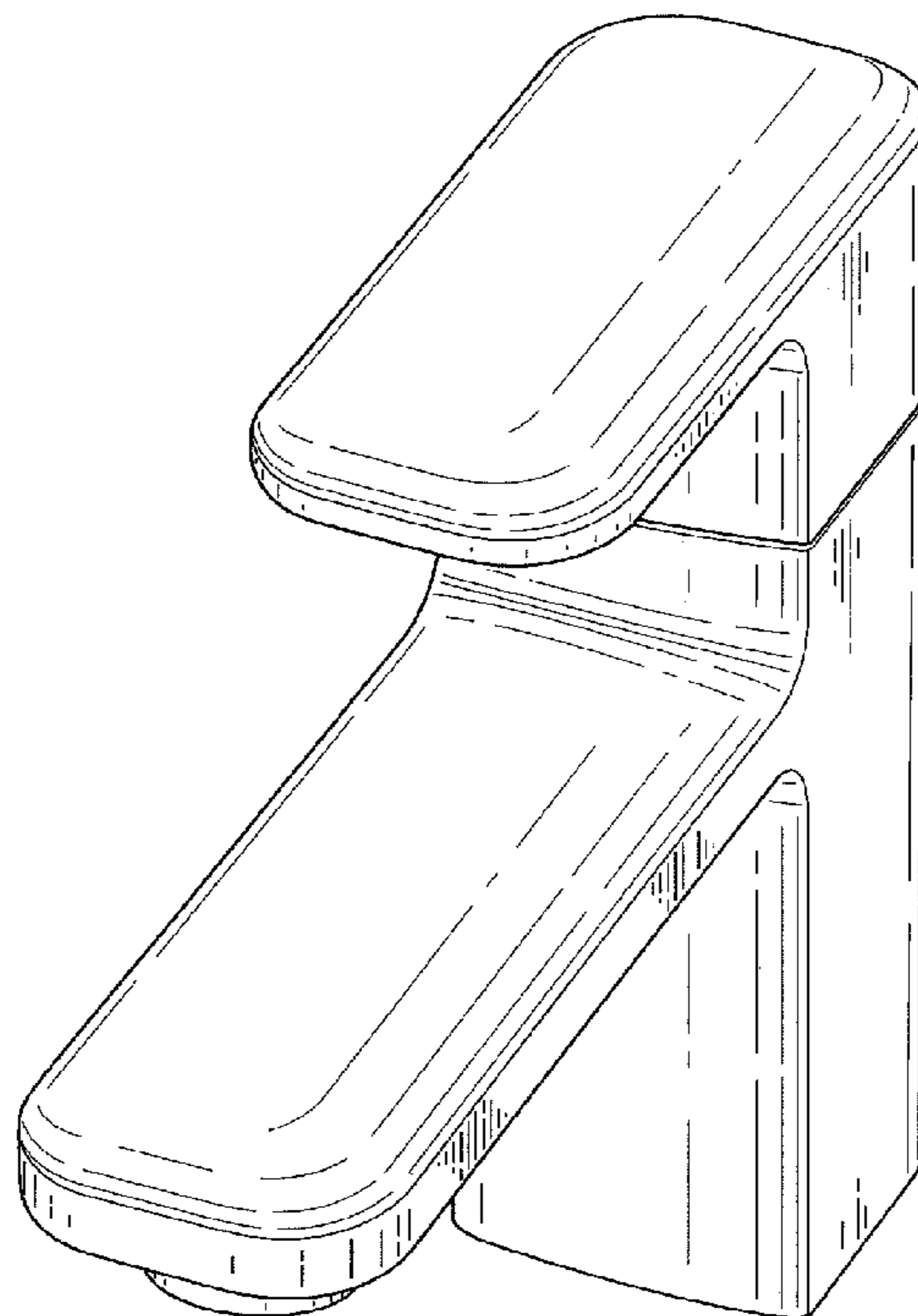
FIG. 5 is a right side view thereof;

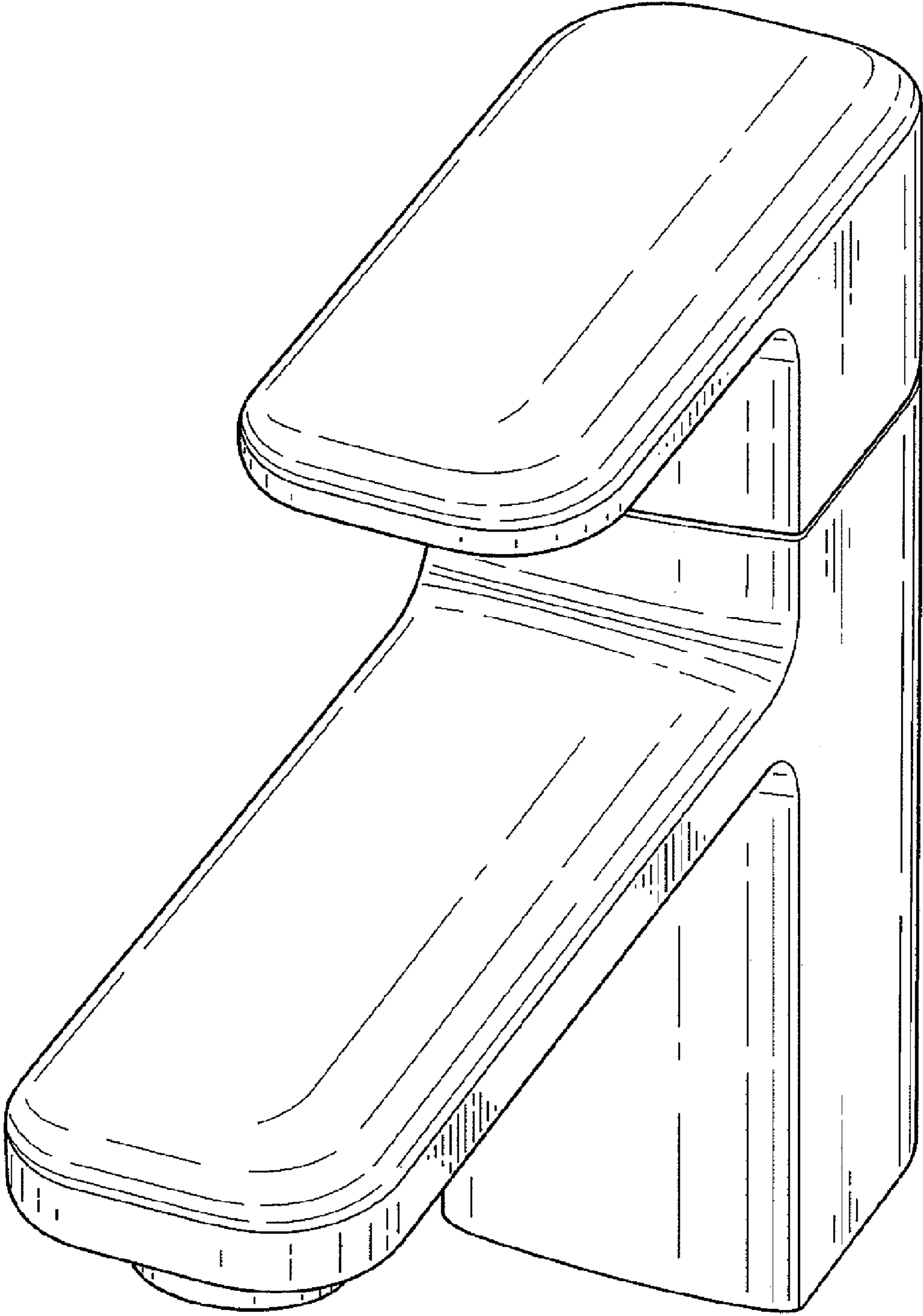
FIG. 6 is a top plan view thereof; and,

FIG. 7 is a bottom view thereof.

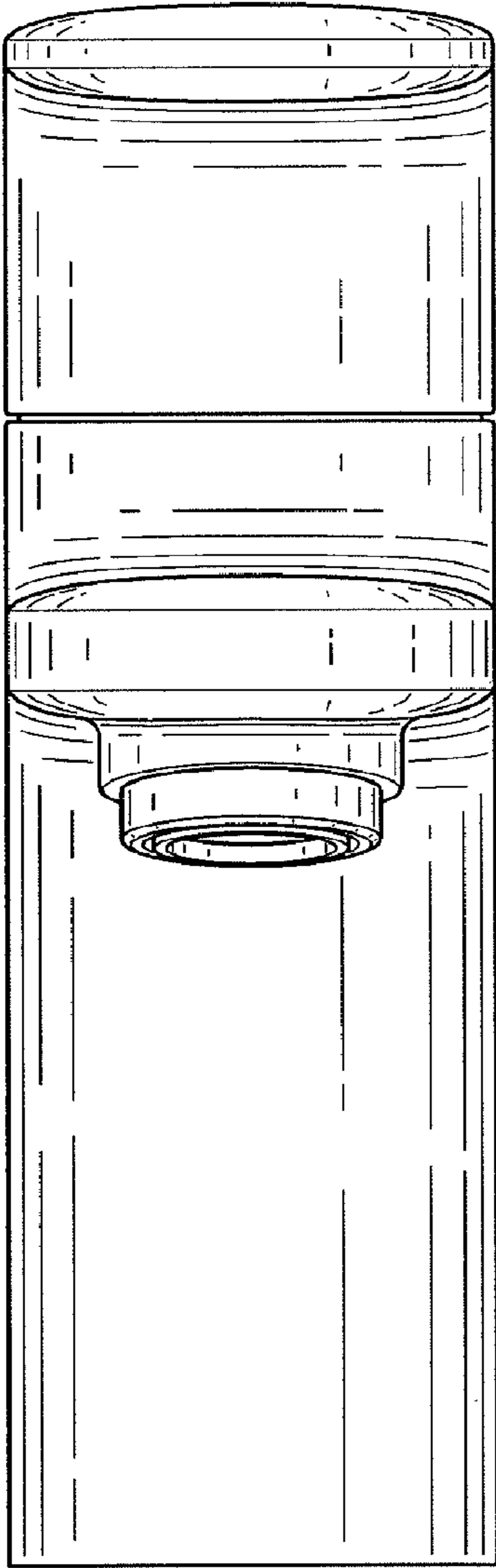
The portion of the article in broken lines are shown for illustrative purposes only and from no part of the claimed design.

**1 Claim, 5 Drawing Sheets**

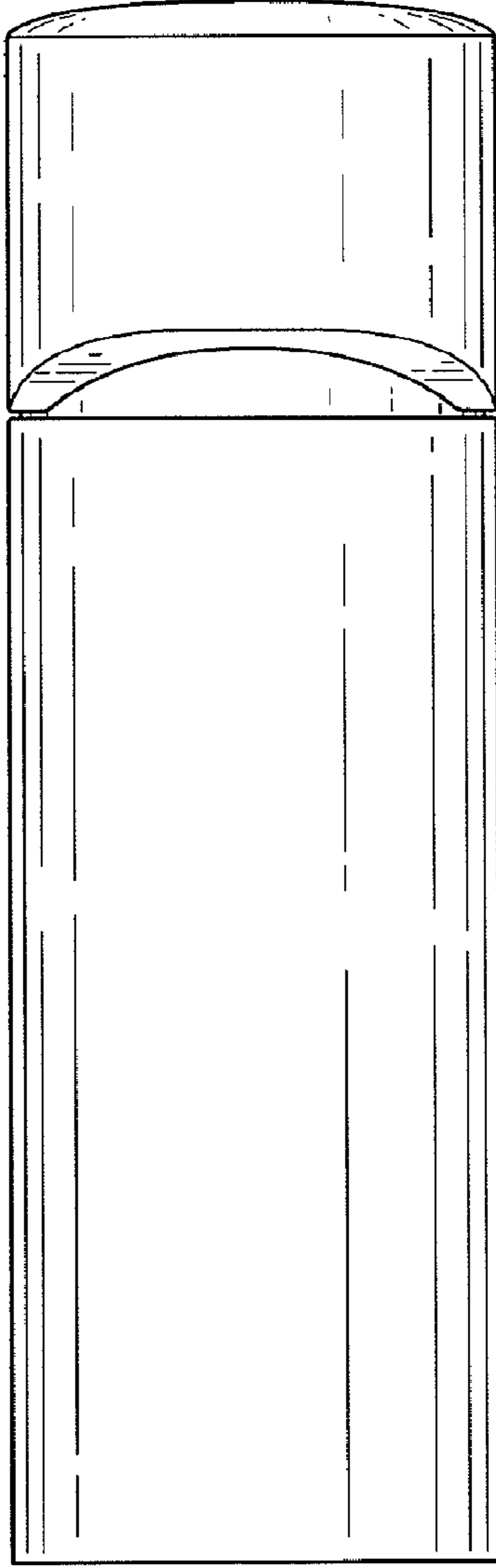




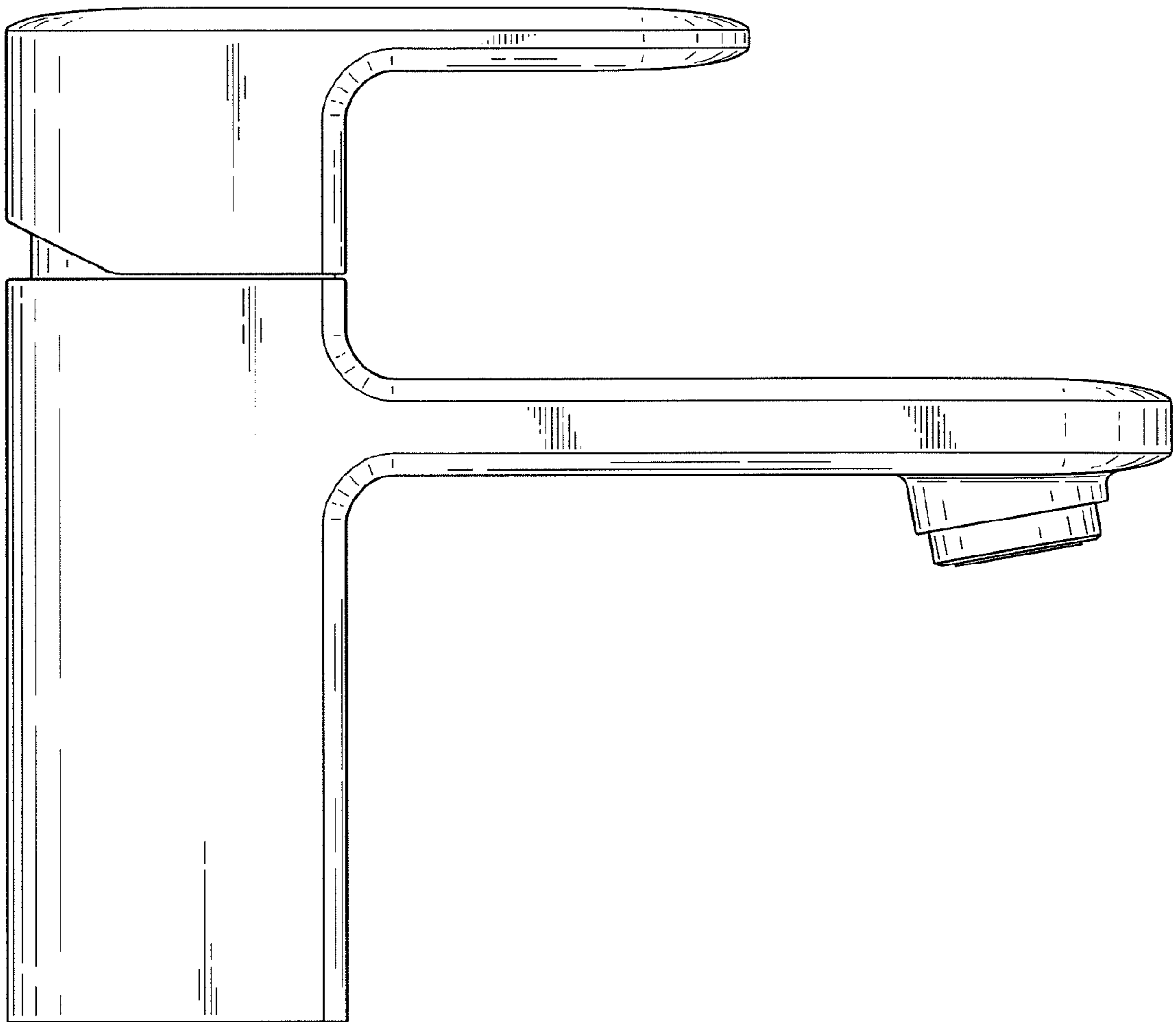
**FIG. 1**



*FIG. 2*



*FIG. 3*



*FIG. 4*

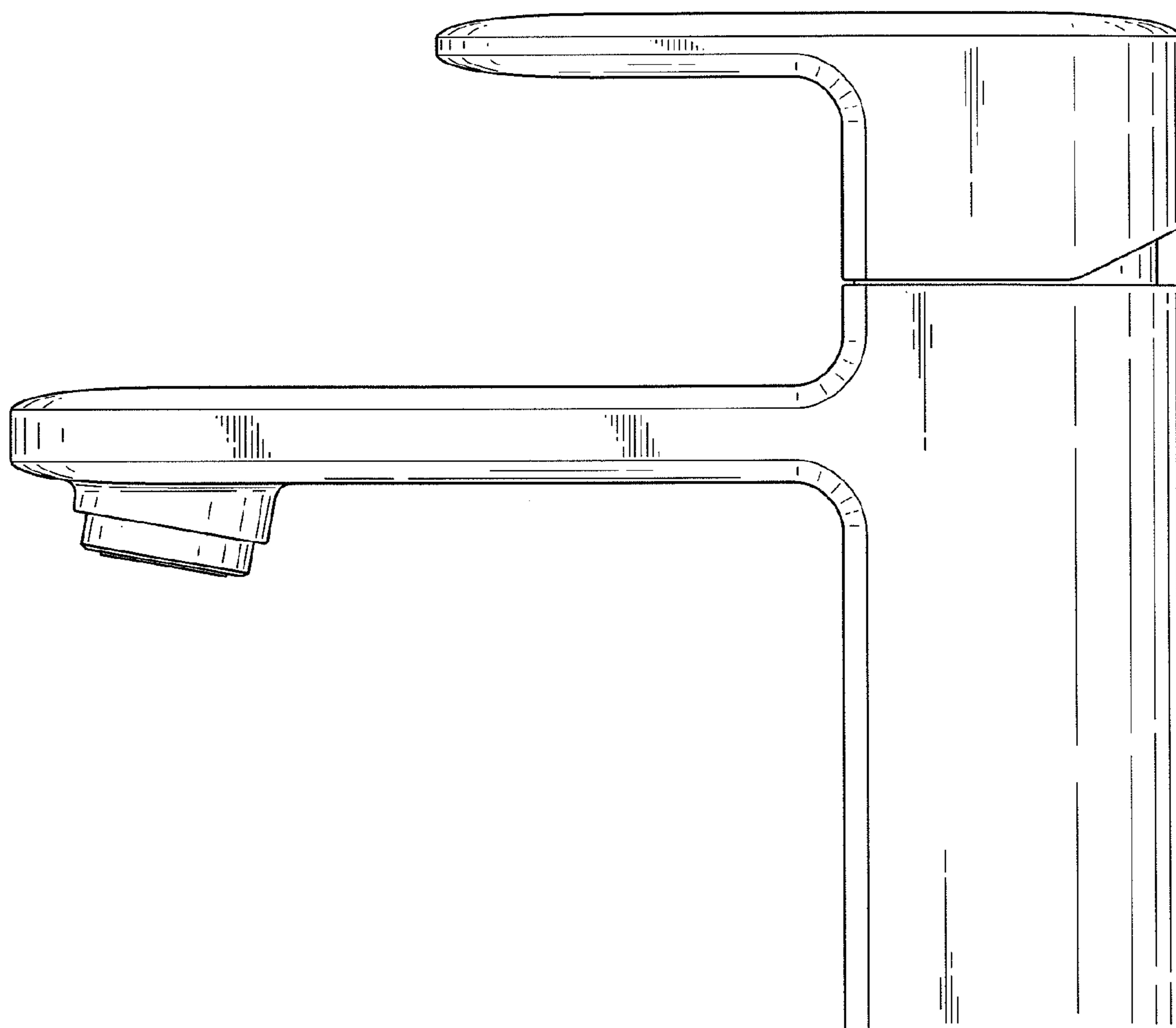
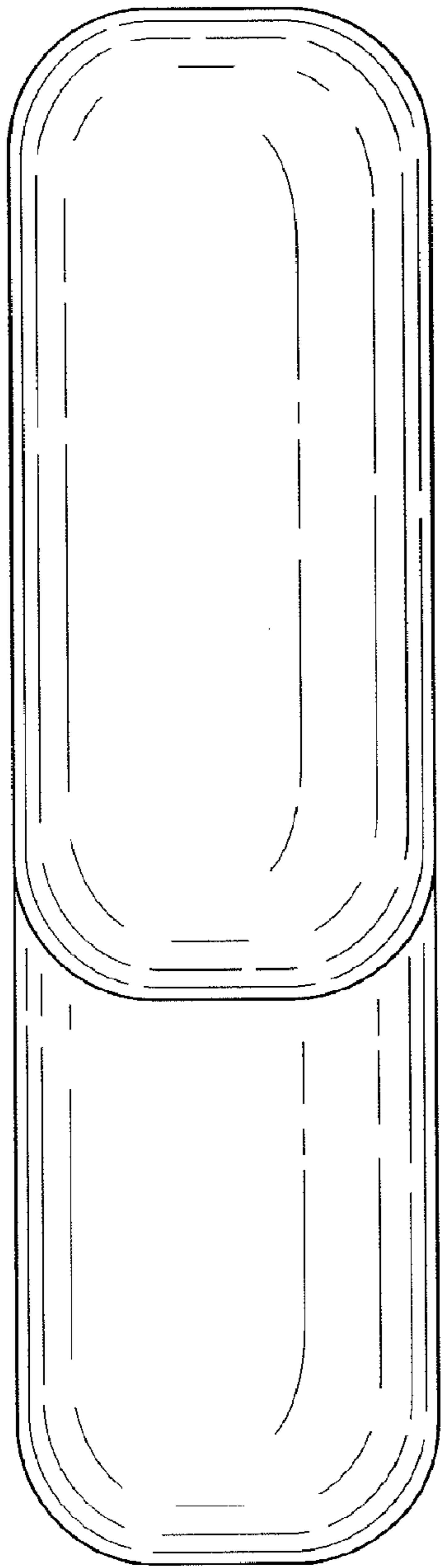
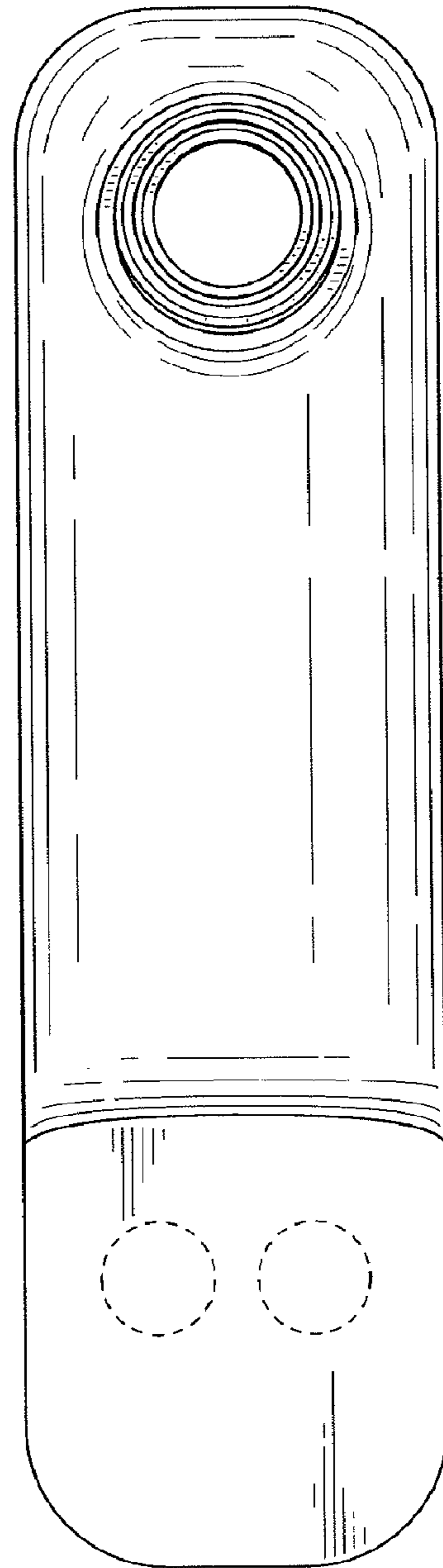


FIG. 5



*FIG. 6*



*FIG. 7*