



US00D602120S

(12) **United States Design Patent**  
**Reimann et al.**

(10) **Patent No.:** **US D602,120 S**  
(45) **Date of Patent:** **\*\* Oct. 13, 2009**

(54) **LOCK-OUT CLOSURE FOR A CONTAINER WITH A CORRESPONDING LOCK-OUT DISPENSER INSERT**

(75) Inventors: **Kirk M. Reimann**, Franksville, WI (US); **William E. Simpson**, New Berlin, WI (US); **Nancy D. Trafelet**, Racine, WI (US); **Andy Swain**, Hucknall (GB); **Christopher J. Webb**, Dronfield (GB); **Shirley A. Webb**, legal representative, Dronfield (GB); **David Holden**, Matlock (GB); **Garry W. Crossdale**, Ripley (GB); **Brian D. Haworth**, Voorburg (NL); **Bert Van der Heijden**, Bunnik (NL)

4,150,673 A	4/1979	Watt	128/272
5,100,030 A	3/1992	Roggenburg, Jr. et al.	222/181
5,238,141 A *	8/1993	Callegari et al.	220/725
5,293,913 A	3/1994	Preszler	141/367
5,597,019 A	1/1997	Thomas et al.	141/18
D380,668 S *	7/1997	Nakamura	D8/387
5,651,398 A	7/1997	Decker et al.	141/18
5,784,087 A *	7/1998	Wallace et al.	347/85
5,832,972 A	11/1998	Thomas et al.	141/360
D404,464 S *	1/1999	Niemczyk	D23/233
5,915,427 A	6/1999	Grabenkort	141/364
6,006,046 A	12/1999	MacFarland	399/12
6,105,633 A	8/2000	Pedersen et al.	141/18
D430,922 S *	9/2000	Hung-Lin	D23/245
6,431,400 B1	8/2002	O'Maley et al.	222/41
6,648,182 B2	11/2003	Rauworth et al.	222/400.7

(Continued)

(73) Assignee: **JohnsonDiversey, Inc.**, Sturtevant, WI (US)

(\*\*) Term: **14 Years**

(21) Appl. No.: **29/250,107**

(22) Filed: **Nov. 2, 2006**

**Related U.S. Application Data**

(63) Continuation of application No. 29/258,032, filed on Apr. 14, 2006.

(51) **LOC (9) Cl.** ..... **23-01**

(52) **U.S. Cl.** ..... **D23/233**

(58) **Field of Classification Search** ..... D23/233-237, D23/244-245; 137/636.3, 636.2, 625.41, 137/625.17; D9/435, 447, 449; 220/203.22, 220/293.19, 725; 222/153.01, 153.04, 153.14, 222/562, 575

See application file for complete search history.

(56) **References Cited**

**U.S. PATENT DOCUMENTS**

3,301,427 A \* 1/1967 Roman ..... 215/287

*Primary Examiner*—Cathron C. Brooks

*Assistant Examiner*—Maurice Stevens

(74) *Attorney, Agent, or Firm*—Gregory S. Bollis

(57) **CLAIM**

We claim the ornamental design for a lock-out closure for a container with a corresponding lock-out dispenser insert, as shown and described.

**DESCRIPTION**

FIG. 1 is a perspective view of a lock-out closure for a container with a corresponding lock-out dispenser insert, showing our new design.

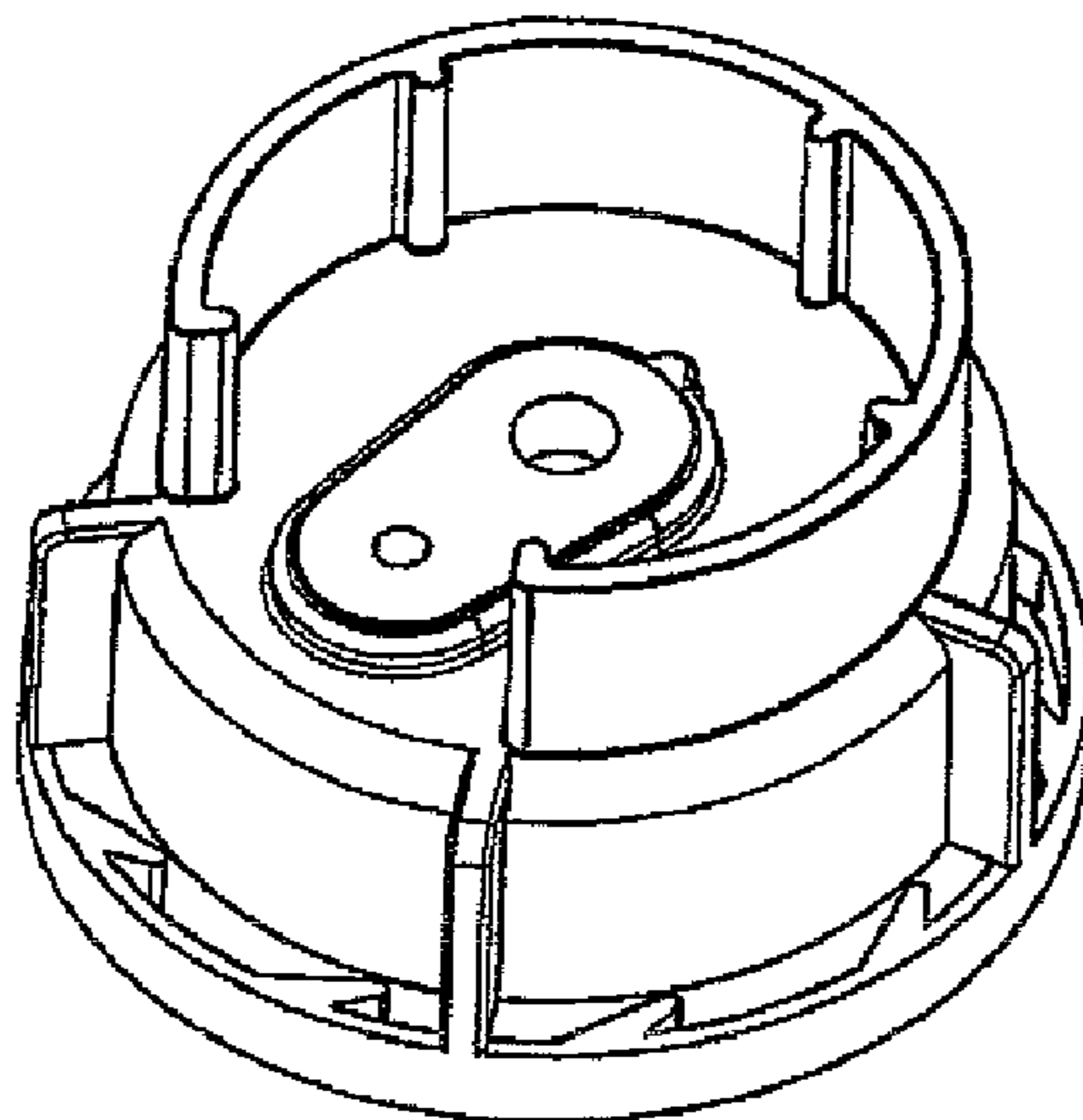
FIG. 2 is a top view of the closure shown in FIG. 1.

FIG. 3 is a perspective view of a second embodiment of a lock-out closure for a container with a corresponding lock-out dispenser insert; and,

FIG. 4 is a top view of the closure shown in FIG. 3.

The broken lines shown represent unclaimed portions of the lock-out closure for a container with a corresponding lock-out dispenser insert form no part of the claimed design.

**1 Claim, 2 Drawing Sheets**



# US D602,120 S

Page 2

---

## U.S. PATENT DOCUMENTS

6,786,346	B1 *	9/2004	Gurnard et al. ....	215/272	D589,796	S *	4/2009	McGeough .....	D9/449
6,866,064	B2	3/2005	Nanni, Jr. et al. ....	137/614.03	2004/0045984	A1 *	3/2004	Schuman et al. ....	222/181.3
6,874,522	B2	4/2005	Anderson et al. ....	137/68.3	2004/0046329	A1	3/2004	Pieters .....	277/496
7,090,343	B2 *	8/2006	Steinmetz et al. ....	347/85	2005/0103387	A1	5/2005	Voege et al. ....	137/614.04
7,188,937	B2 *	3/2007	Wilson et al. ....	347/85	2005/0127090	A1	6/2005	Sayers et al. ....	222/1
7,451,896	B2 *	11/2008	Robinson .....	222/153.14	2005/0147864	A1	7/2005	Eggum .....	429/34
D584,106	S *	1/2009	Wong .....	D7/396.2	2006/0124662	A1 *	6/2006	Reynolds et al. ....	222/23
D585,743	S *	2/2009	Wilson et al. ....	D9/449					

\* cited by examiner

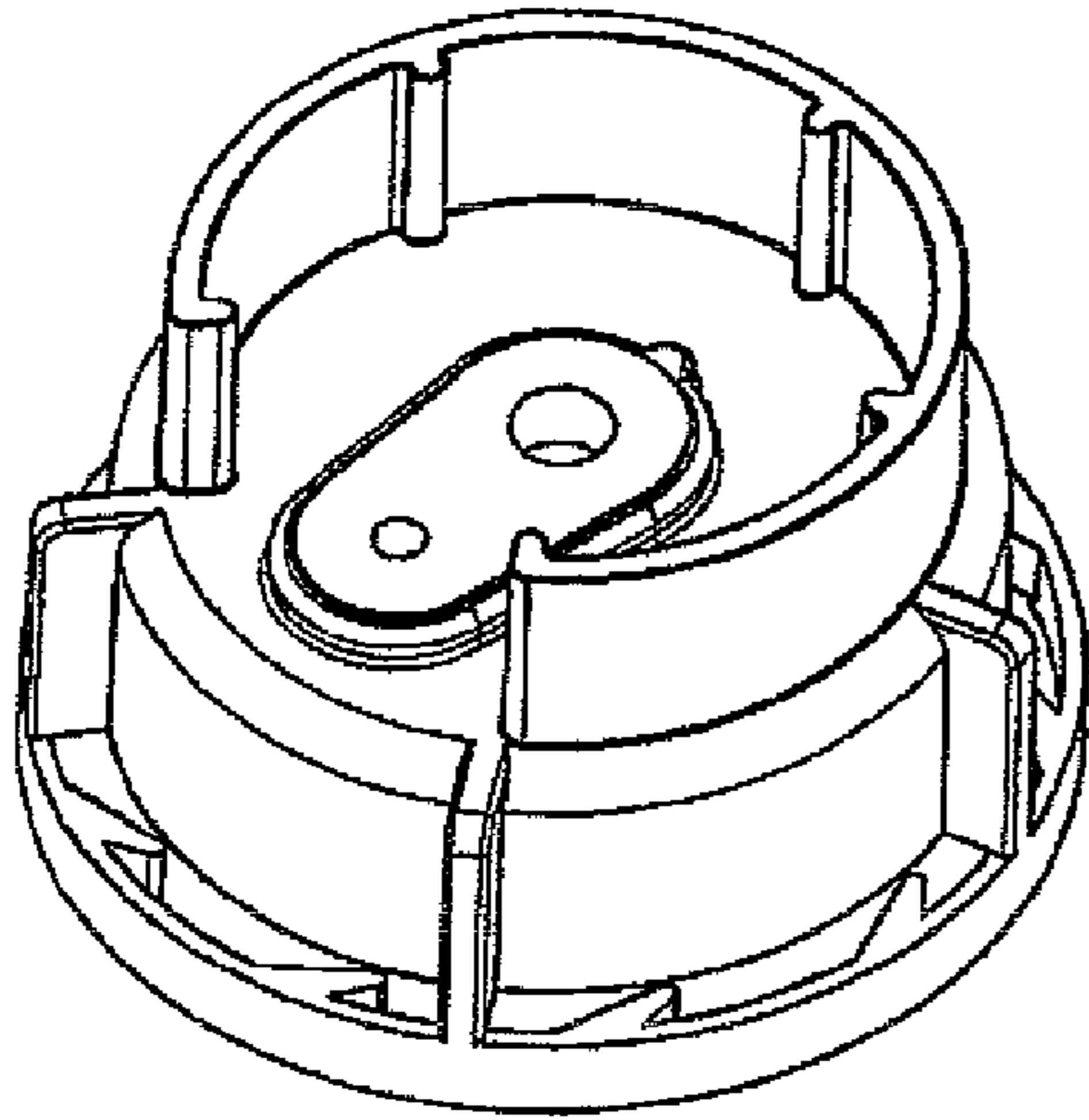


FIG. 1

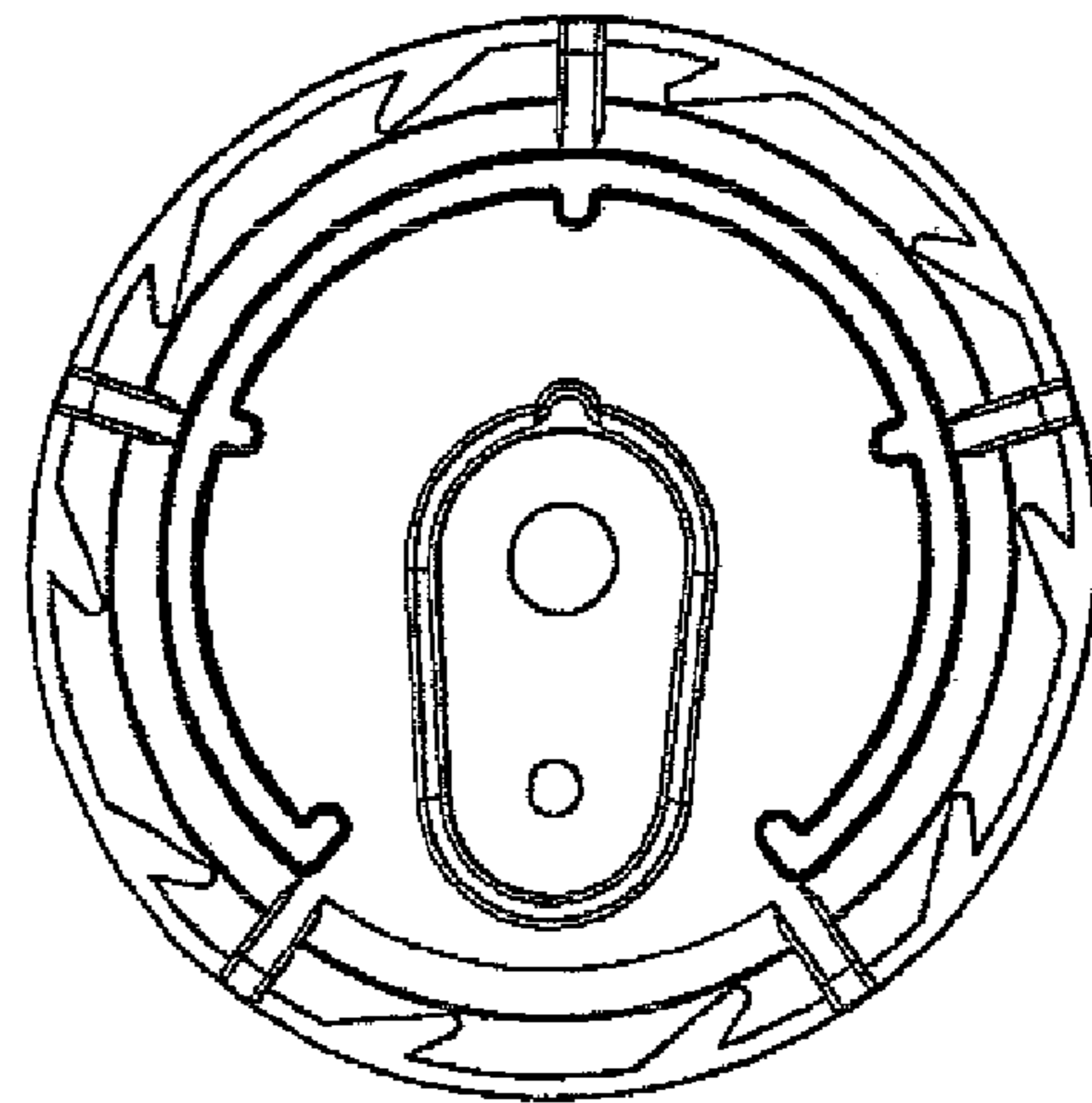


FIG. 2

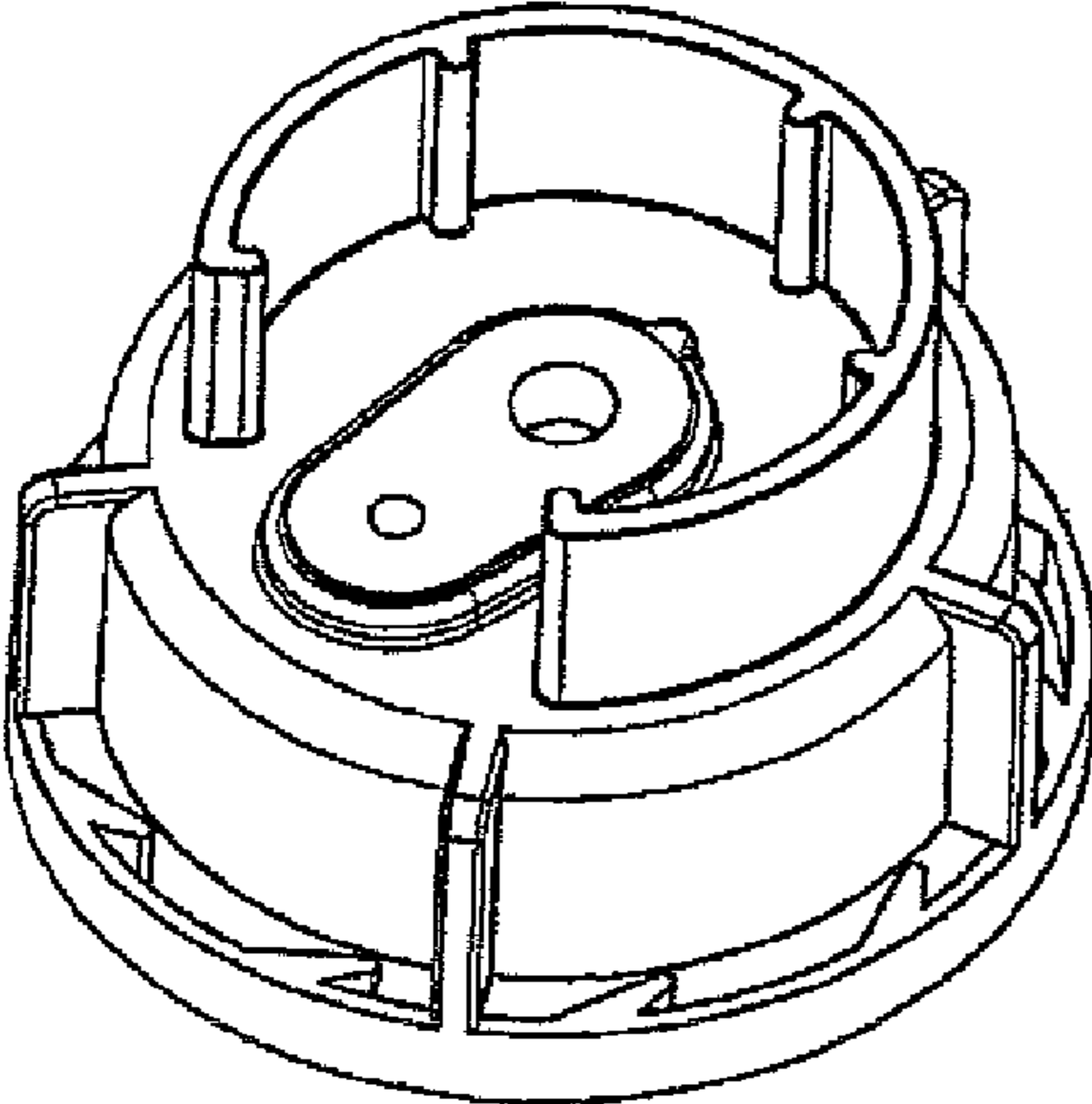


FIG. 3

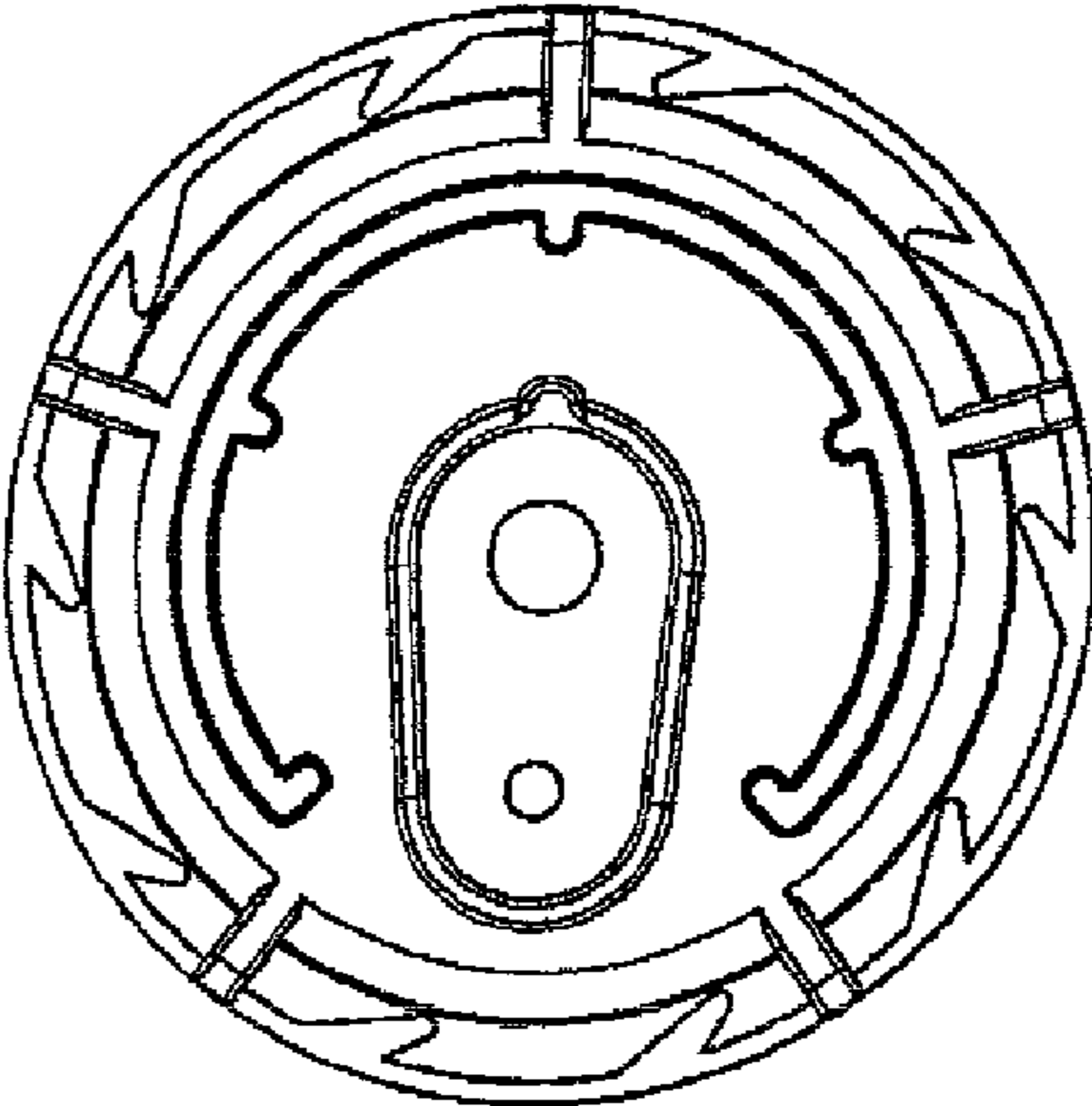


FIG. 4