



US00D602119S

(12) **United States Design Patent**  
**Terribile**

(10) **Patent No.:** **US D602,119 S**

(45) **Date of Patent:** **\*\* Oct. 13, 2009**

(54) **IRRIGATION UNIT**

(75) Inventor: **Pasquale Terribile**, Bari (IT)

(73) Assignee: **Teco S.R.L.**, Rome (IT)

(\*\*) Term: **14 Years**

(21) Appl. No.: **29/329,761**

(22) Filed: **Dec. 19, 2008**

(30) **Foreign Application Priority Data**

Jun. 20, 2008 (EM) ..... 000955802

(51) **LOC (9) Cl.** ..... **23-01**

(52) **U.S. Cl.** ..... **D23/217**

(58) **Field of Classification Search** ..... D23/213,  
D23/214, 217, 221; D8/1; 239/200–206,  
239/DIG. 1, 276

See application file for complete search history.

(56) **References Cited**

**U.S. PATENT DOCUMENTS**

3,941,342 A \* 3/1976 Bradshaw ..... 248/88  
D284,785 S \* 7/1986 Lemkin et al. .... D23/221  
5,158,231 A \* 10/1992 Christen et al. .... 239/276

D340,626 S \* 10/1993 Zeman ..... D8/1  
D341,755 S \* 11/1993 Zeman ..... D8/1  
D375,663 S \* 11/1996 Arnold ..... D8/1  
D481,444 S \* 10/2003 Guo ..... D23/221  
D523,523 S \* 6/2006 Burnworth et al. .... D23/221  
7,097,117 B2 \* 8/2006 Zur et al. .... 239/276

\* cited by examiner

*Primary Examiner*—Robin V Webster

(74) *Attorney, Agent, or Firm*—Young & Thompson

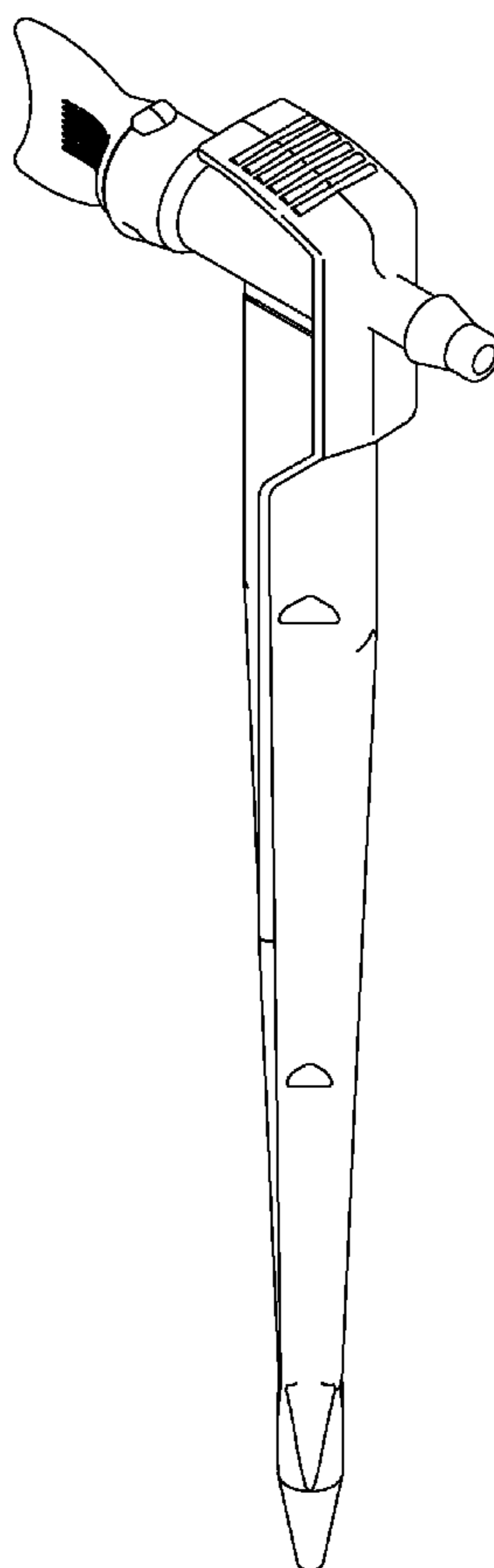
(57) **CLAIM**

The ornamental design of for an irrigation unit, as shown and described.

**DESCRIPTION**

FIG. 1 is a front view of the irrigation unit;  
FIG. 2 is a right side lateral view of the irrigation unit;  
FIG. 3 is a rear view of the irrigation unit;  
FIG. 4 is a left side lateral view of the irrigation unit;  
FIG. 5 is a top view of the irrigation unit;  
FIG. 6 is a bottom plan view of the irrigation unit; and,  
FIG. 7 is a perspective view of the irrigation unit.

**1 Claim, 3 Drawing Sheets**



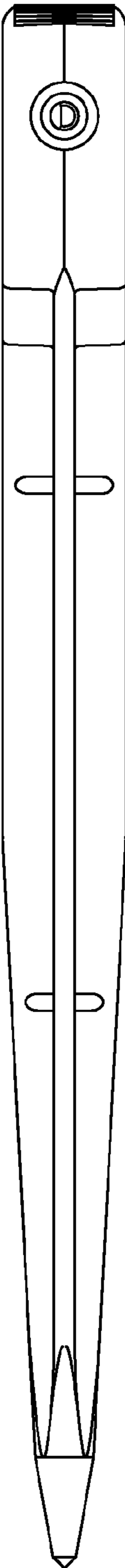


FIGURE 1

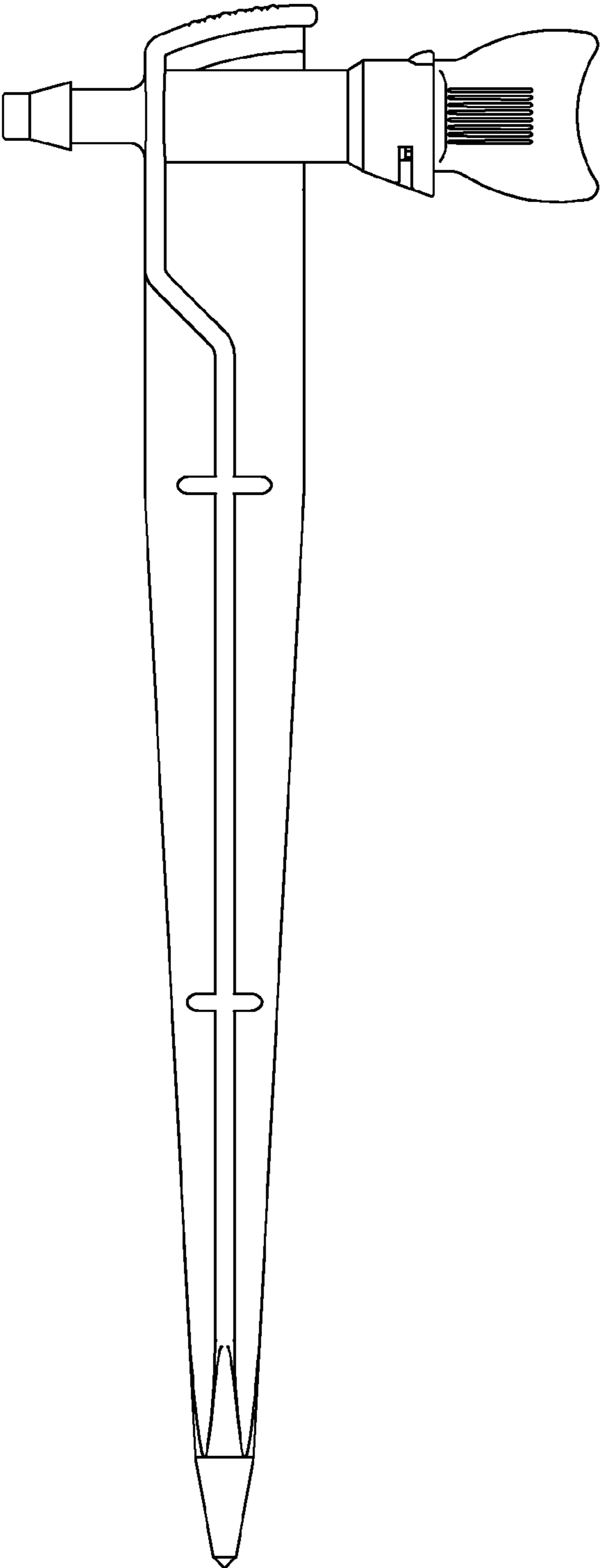


FIGURE 2

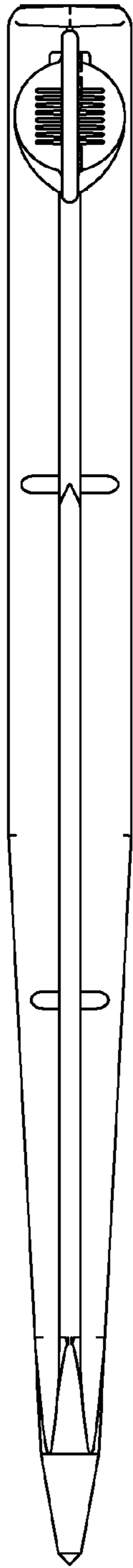


FIGURE 3

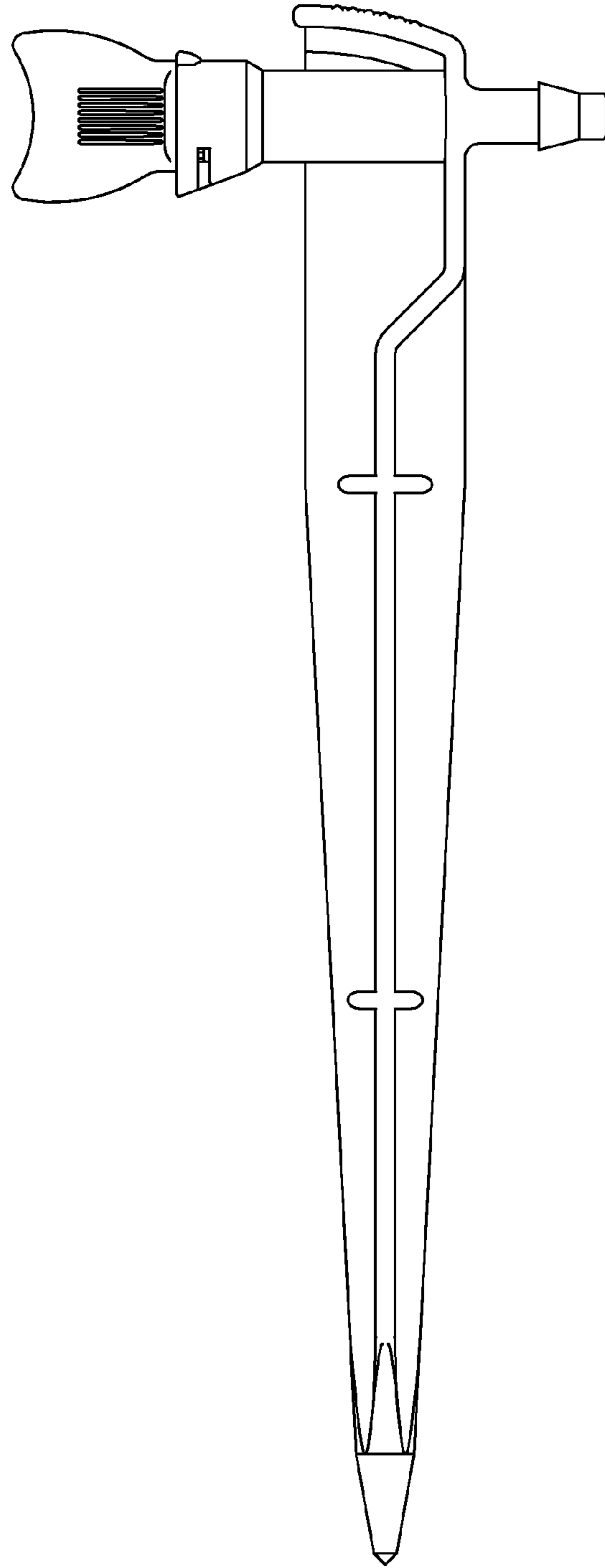


FIGURE 4

FIGURE 7

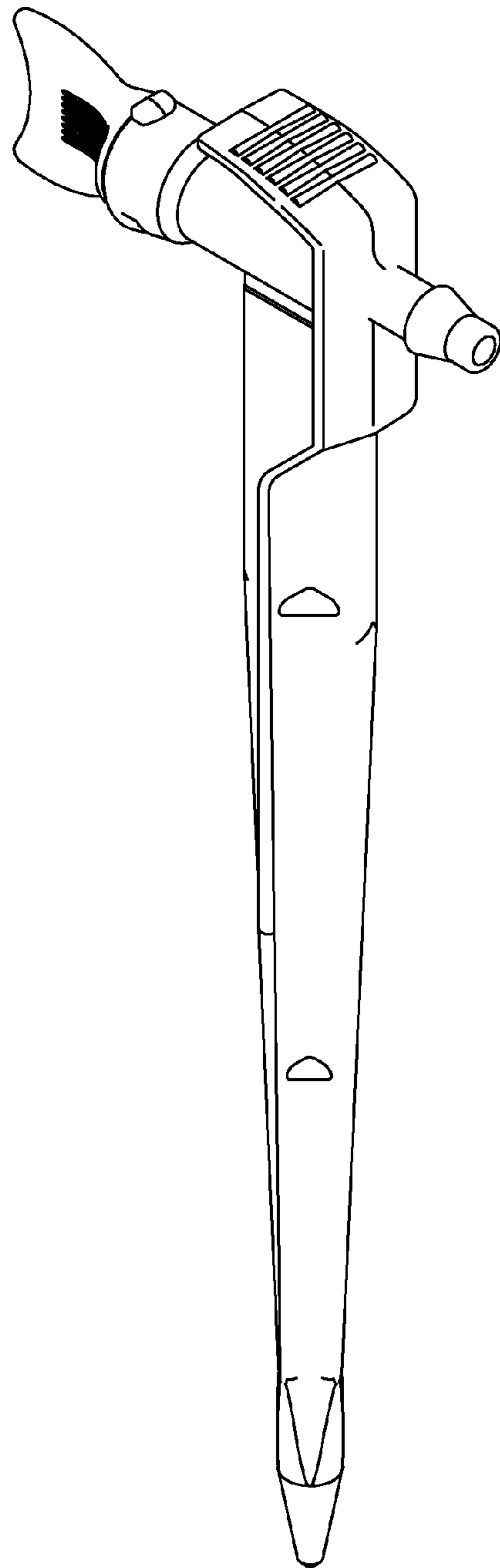


FIGURE 5

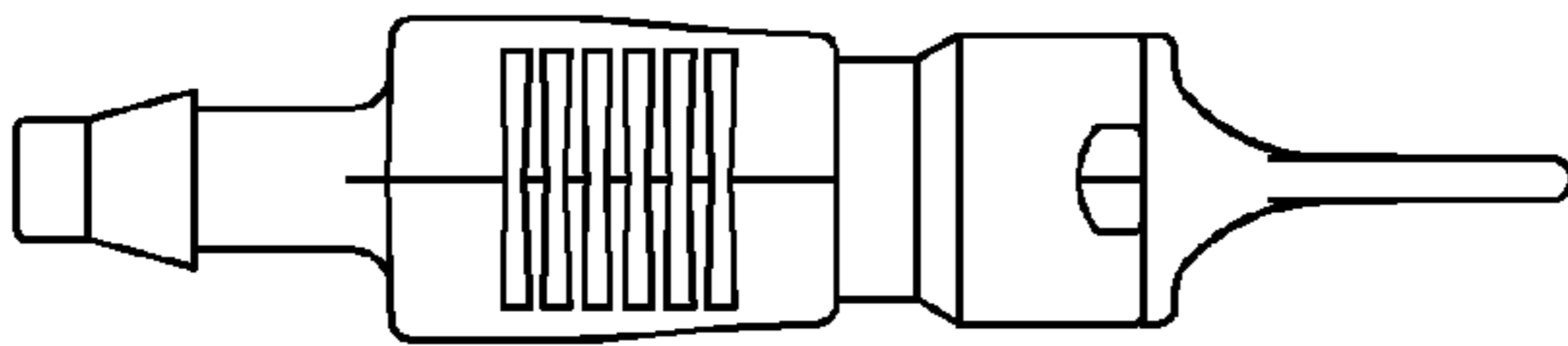


FIGURE 6

