



US00D602116S

(12) **United States Design Patent**
Chen

(10) **Patent No.:** **US D602,116 S**

(45) **Date of Patent:** **** *Oct. 13, 2009**

(54) **SOLAR POWERED BUG ELIMINATOR**

D294,283 S * 2/1988 Yuen D22/123

(75) Inventor: **Chi Gon Chen**, Guang Zhou (CN)

* cited by examiner

(73) Assignee: **International Development LLC**,
Roanoke, TX (US)

Primary Examiner—Catherine R Oliver
(74) *Attorney, Agent, or Firm*—David W. Carstens; Jeffrey G.
Degenfelder; Carstens & Cahoon, LLP

(*) Notice: This patent is subject to a terminal dis-
claimer.

(57) **CLAIM**

(**) Term: **14 Years**

The ornamental design for a solar powered bug elimiator, as
shown and described.

(21) Appl. No.: **29/326,310**

DESCRIPTION

(22) Filed: **Oct. 15, 2008**

(51) **LOC (9) Cl.** **22-06**

FIG. 1 is a perspective view of the solar powered bug elimi-
ator of the present invention;

(52) **U.S. Cl.** **D22/123**

FIG. 2 is a front elevation view; the rear elevation view being
the same;

(58) **Field of Classification Search** D22/119–124;
43/112–113, 124, 131; D26/37–41
See application file for complete search history.

FIG. 3 is a top plan view thereof;

FIG. 4 is a left side elevation view; the right side elevation
view being the same; and,

(56) **References Cited**

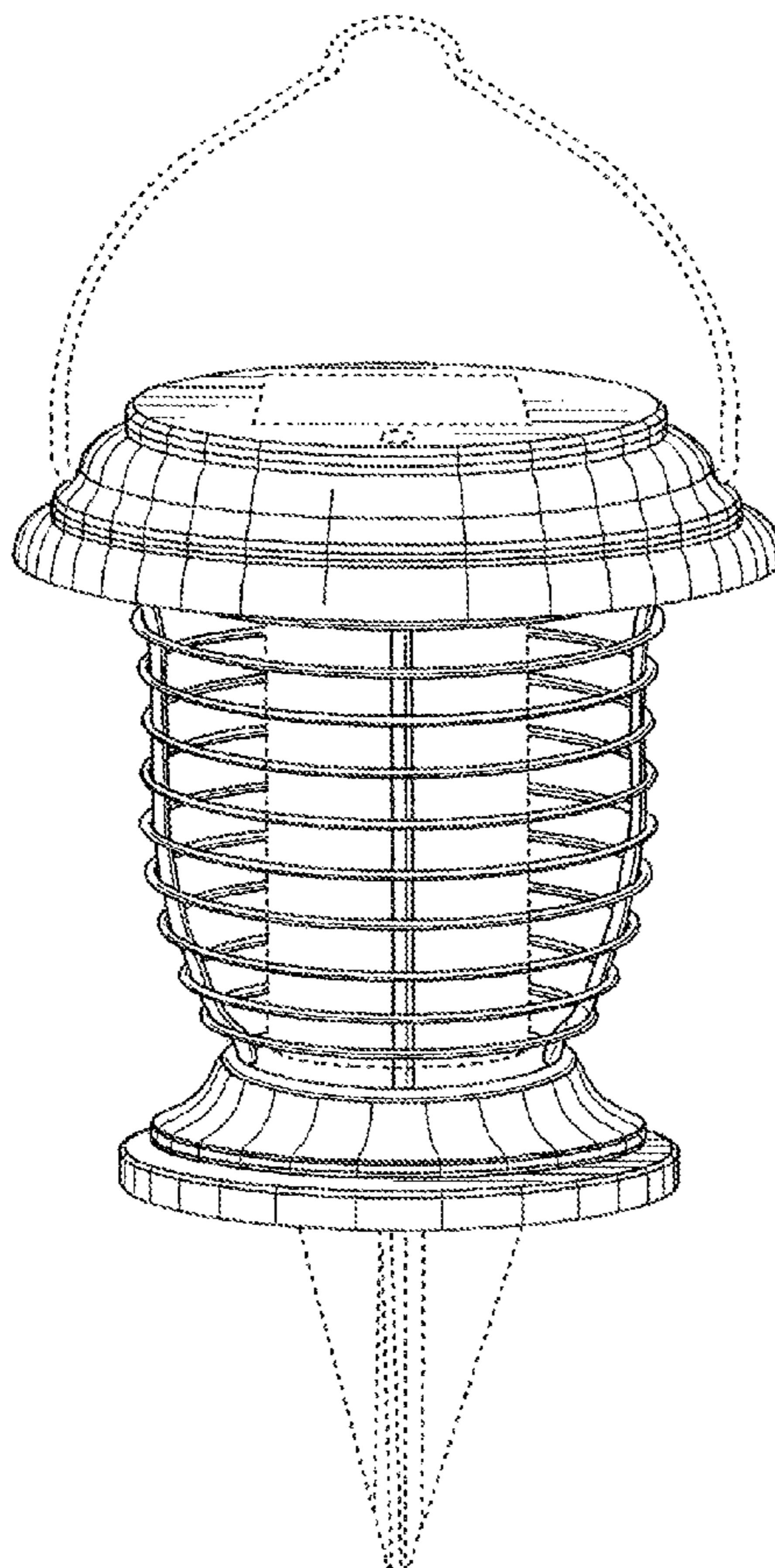
U.S. PATENT DOCUMENTS

FIG. 5 is a bottom plan view.

The broken line showing of environment in the drawings is
included for the purpose of illustrating only and forms no part
of the claimed design.

- D218,114 S * 7/1970 Kahn D26/41
- D283,152 S * 3/1986 Cuning D22/123
- D283,153 S * 3/1986 DeYoreo D22/123
- D291,226 S * 8/1987 Wan D22/123
- D293,014 S * 12/1987 Davis D22/123

1 Claim, 2 Drawing Sheets



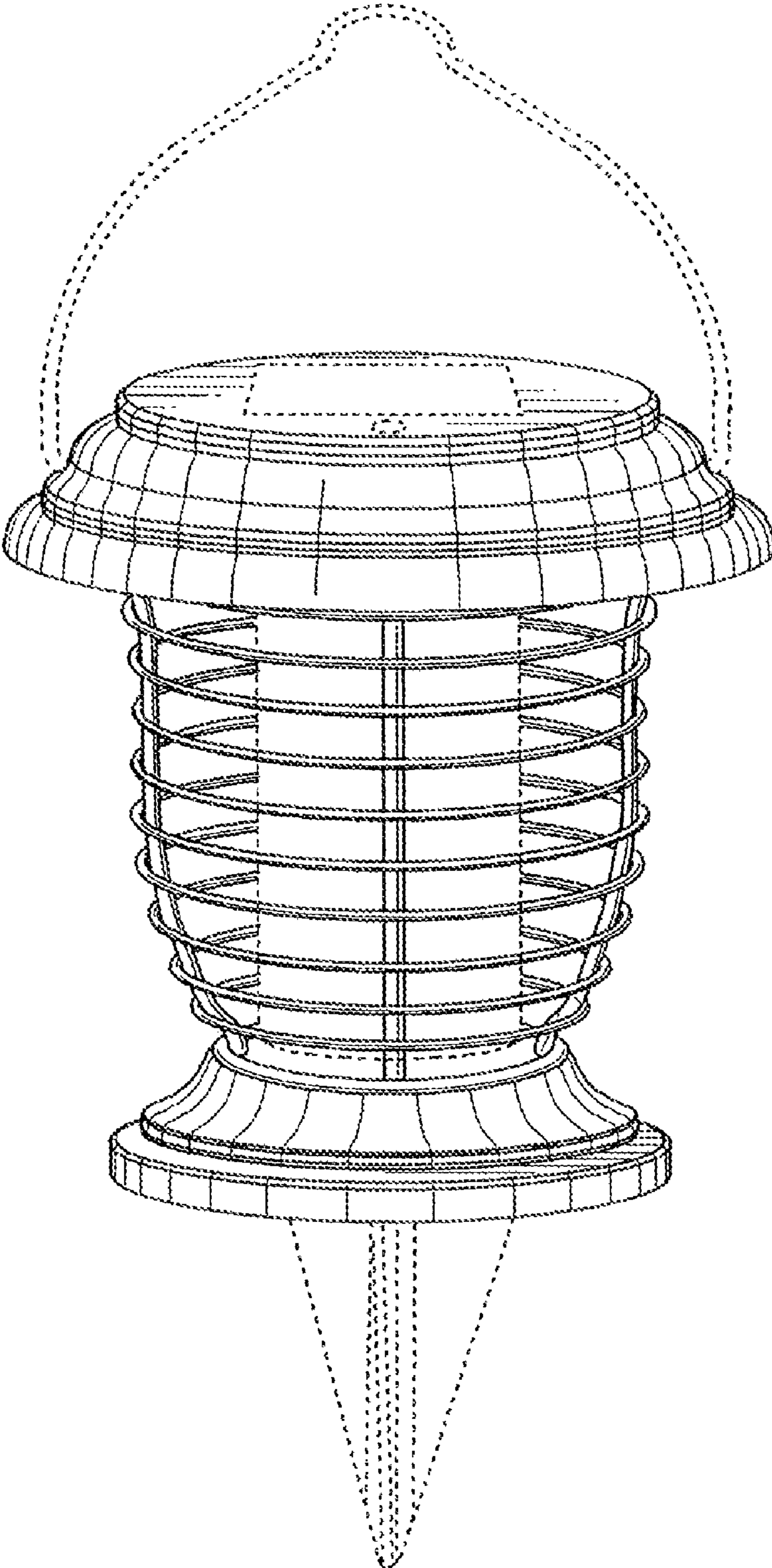


Fig. 1

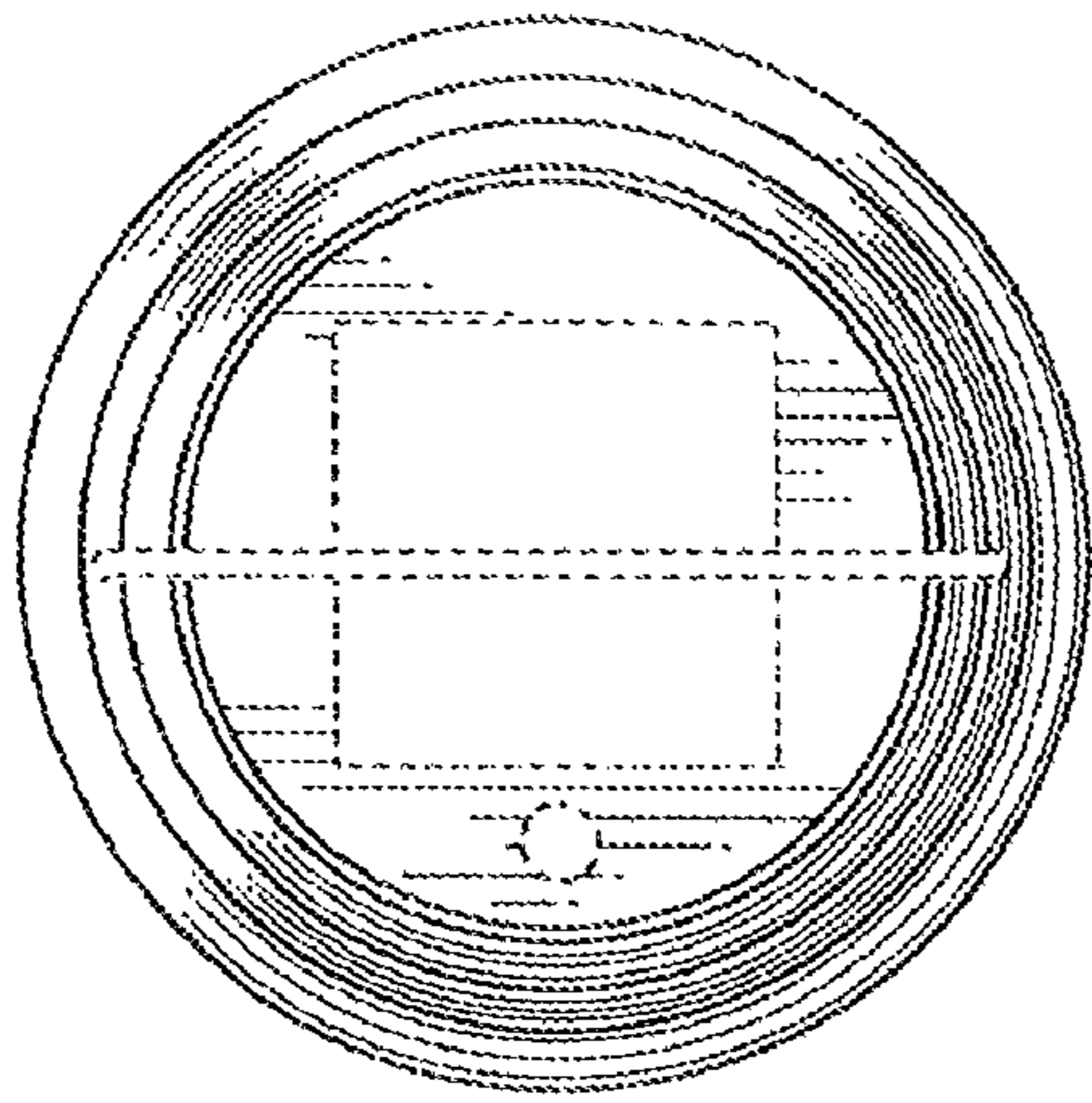


Fig. 3

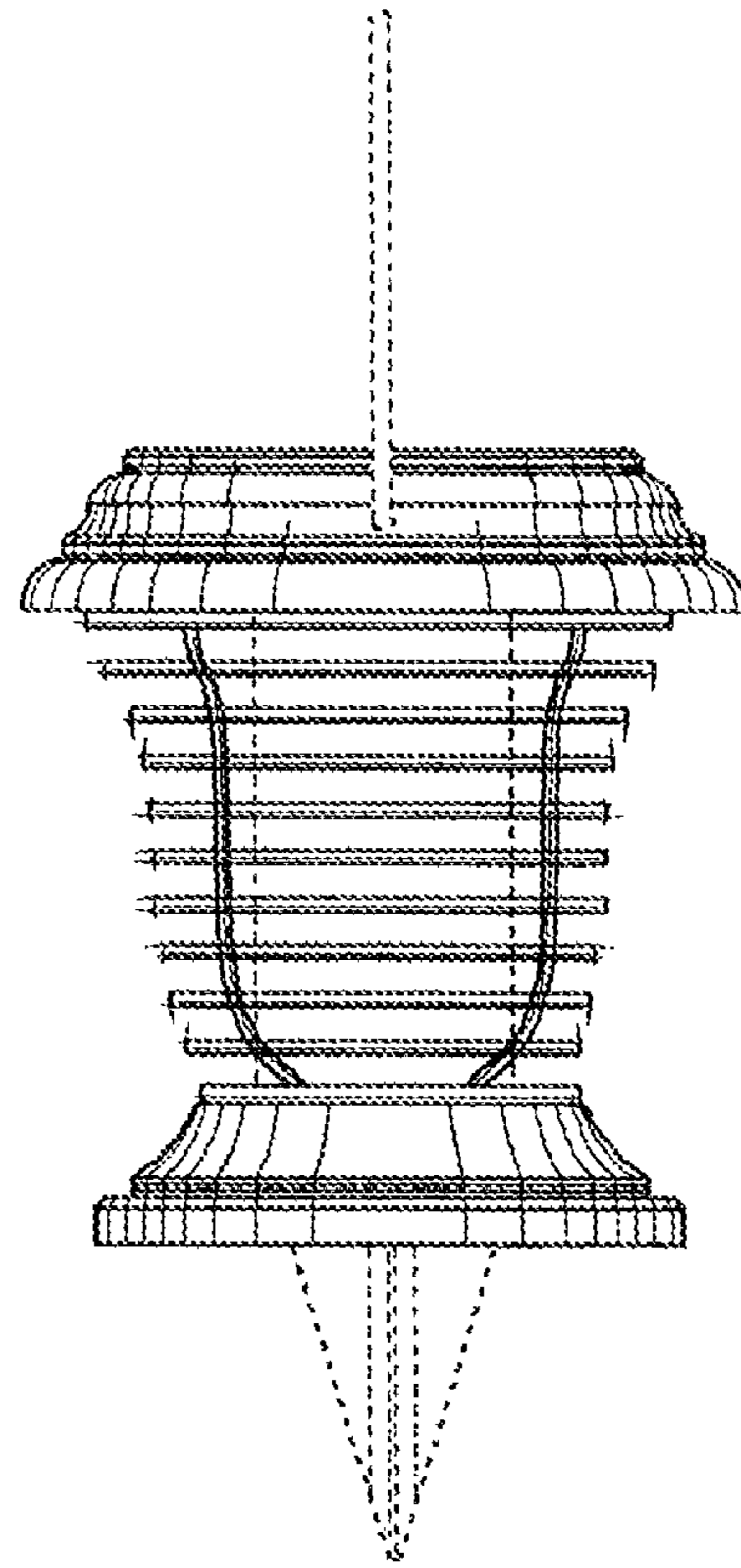


Fig. 4

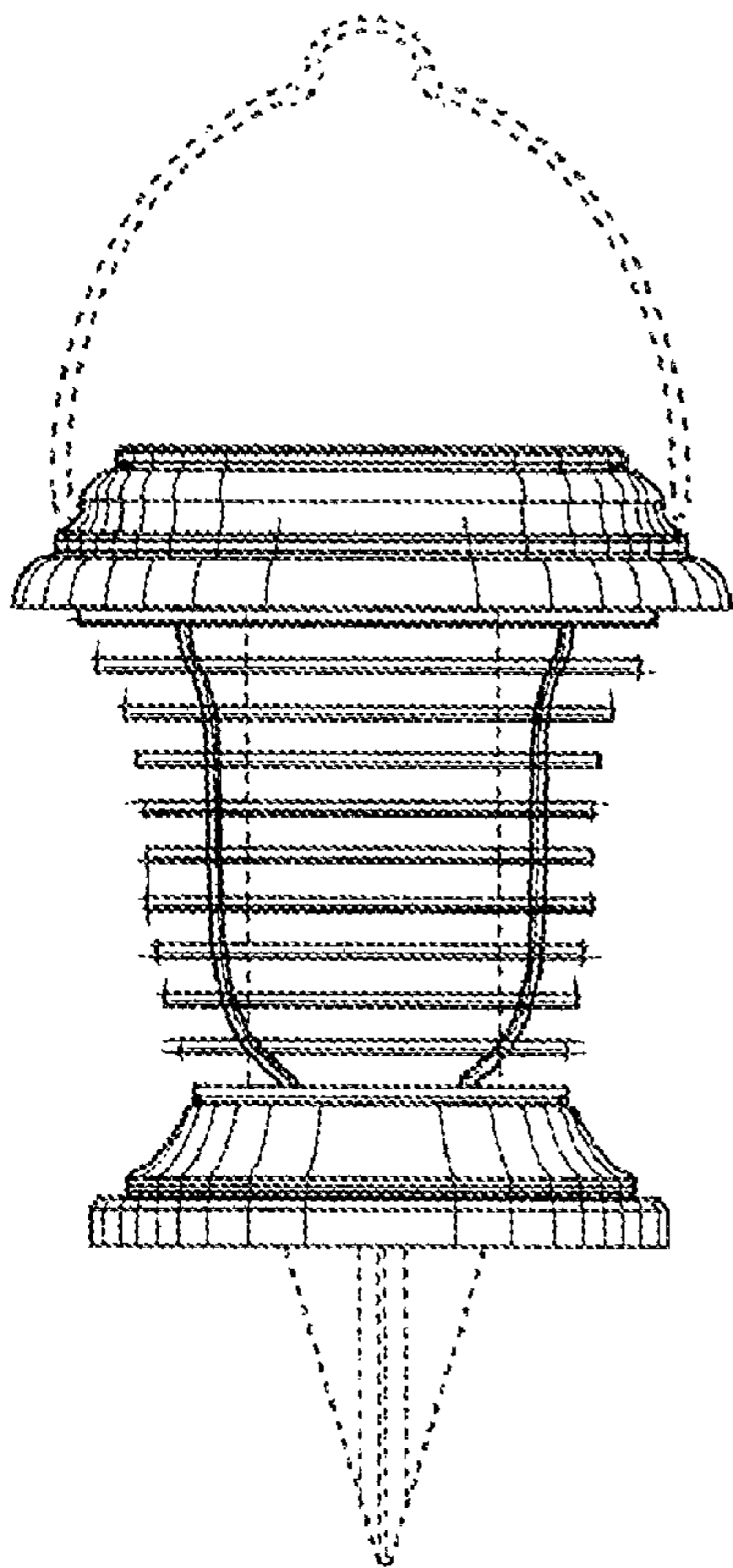


Fig. 2

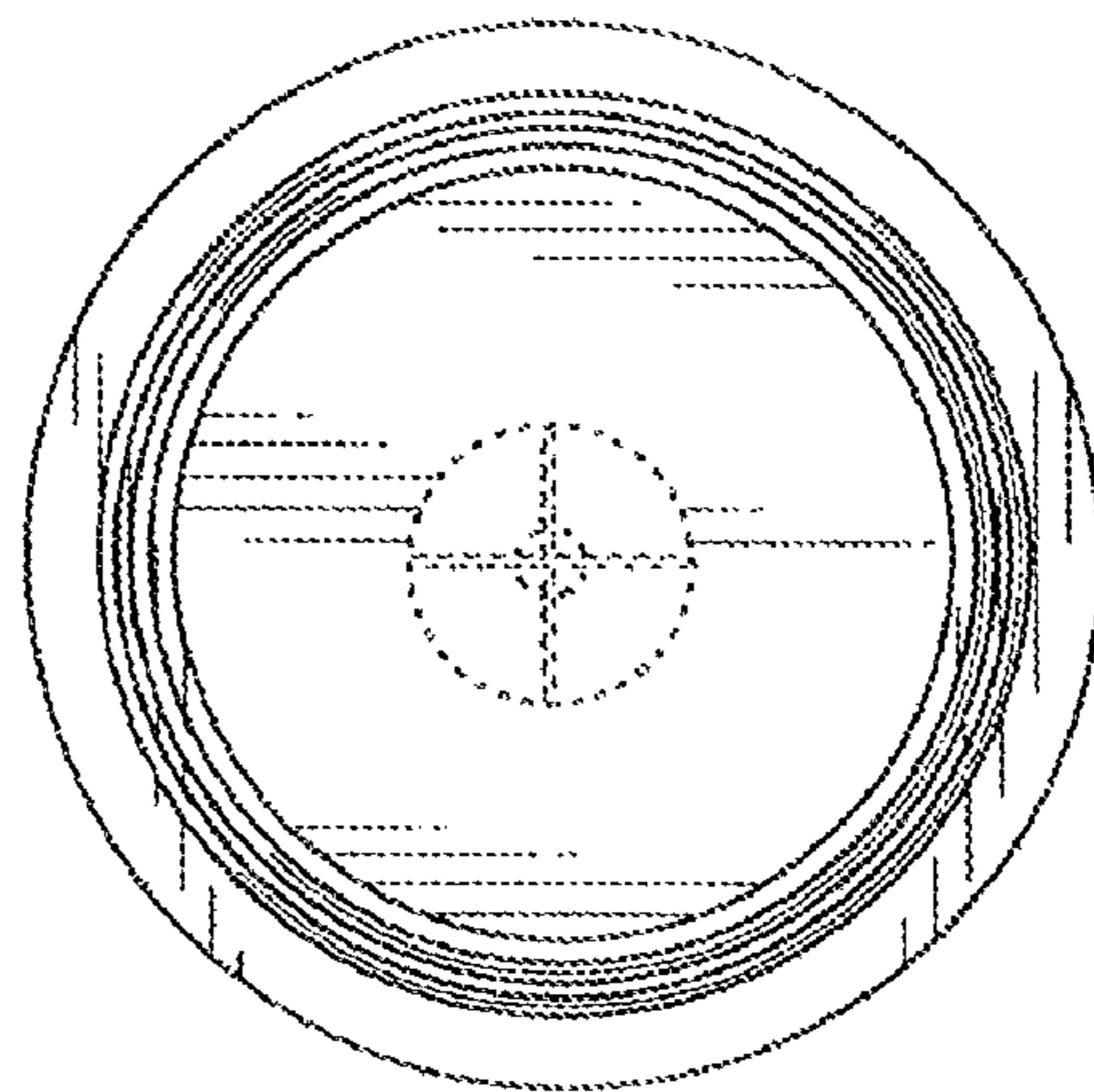


Fig. 5