



US00D602115S

(12) **United States Design Patent**
Ballard

(10) **Patent No.:** **US D602,115 S**
(45) **Date of Patent:** **** Oct. 13, 2009**

(54) **DUAL APERTURE GUNSIGHT BODY**
(76) Inventor: **Marlin Daniel Ballard**, 4900 W.
William Cannon, Austin, TX (US) 78749
(**) Term: **14 Years**

7,040,027 B1 5/2006 Shaffer
7,076,907 B2 * 7/2006 Nesseth et al. 42/140
D526,380 S * 8/2006 Swan D22/109
D526,695 S * 8/2006 Warren D22/109
D531,693 S * 11/2006 Warren et al. D22/109
D533,616 S * 12/2006 Warren D22/109
D533,617 S * 12/2006 Warren D22/109

(21) Appl. No.: **29/314,697**
(22) Filed: **Apr. 20, 2009**

(Continued)

(51) **LOC (9) Cl.** **22-01**
(52) **U.S. Cl.** **D22/110**
(58) **Field of Classification Search** D22/108-110,
D22/199; D16/130, 132, 133, 134, 330;
359/359, 399, 744, 823; 42/111, 119, 122,
42/133

Primary Examiner—T. Chase Nelson
Assistant Examiner—Michael A Pratt
(74) *Attorney, Agent, or Firm*—David O. Simmons

See application file for complete search history.

(57) **CLAIM**

The ornamental design for a dual aperture gunsight body, substantially as shown and described.

(56) **References Cited**

DESCRIPTION

U.S. PATENT DOCUMENTS

504,696	A *	9/1893	Armistead	42/133
D34,244	S *	3/1901	Barger	D22/109
846,217	A	3/1907	King	
1,850,288	A *	3/1932	Robbins	42/133
2,488,836	A	11/1949	Sweetman	
2,645,017	A	7/1953	Haase	
D183,136	S *	7/1958	McGabe	D22/109
D183,360	S *	8/1958	McGabe	D22/109
D226,480	S *	3/1973	Mauro	D22/109
D266,783	S *	11/1982	Stratman	D22/109
4,790,075	A *	12/1988	Howard, Sr.	42/130
4,993,158	A *	2/1991	Santiago	42/135
D328,485	S *	8/1992	Crowley	D22/109
D354,111	S *	1/1995	Karppinen	D22/109
5,577,326	A *	11/1996	Montelin	42/113
D390,303	S *	2/1998	Bullock	D22/111
D390,909	S *	2/1998	Smith	D22/109
D404,788	S *	1/1999	Gangl, Jr.	D22/109
D413,645	S *	9/1999	Sheehan	D22/109
D417,252	S *	11/1999	Kay	D22/108
D429,789	S	8/2000	Sheehan	
D435,283	S *	12/2000	Ling, Jr.	D22/109
6,360,471	B1	3/2002	Stein	
6,681,512	B2 *	1/2004	Sammut	42/122
D515,170	S *	2/2006	Price	D22/109

FIG. 1 is a perspective view of a first embodiment of a dual aperture gunsight body in accordance with the present invention;

FIG. 2 is a front view of the dual aperture gunsight body shown in FIG. 1;

FIG. 3 is a rear view of the dual aperture gunsight body shown in FIG. 1;

FIG. 4 is a right side view of the dual aperture gunsight body shown in FIG. 1;

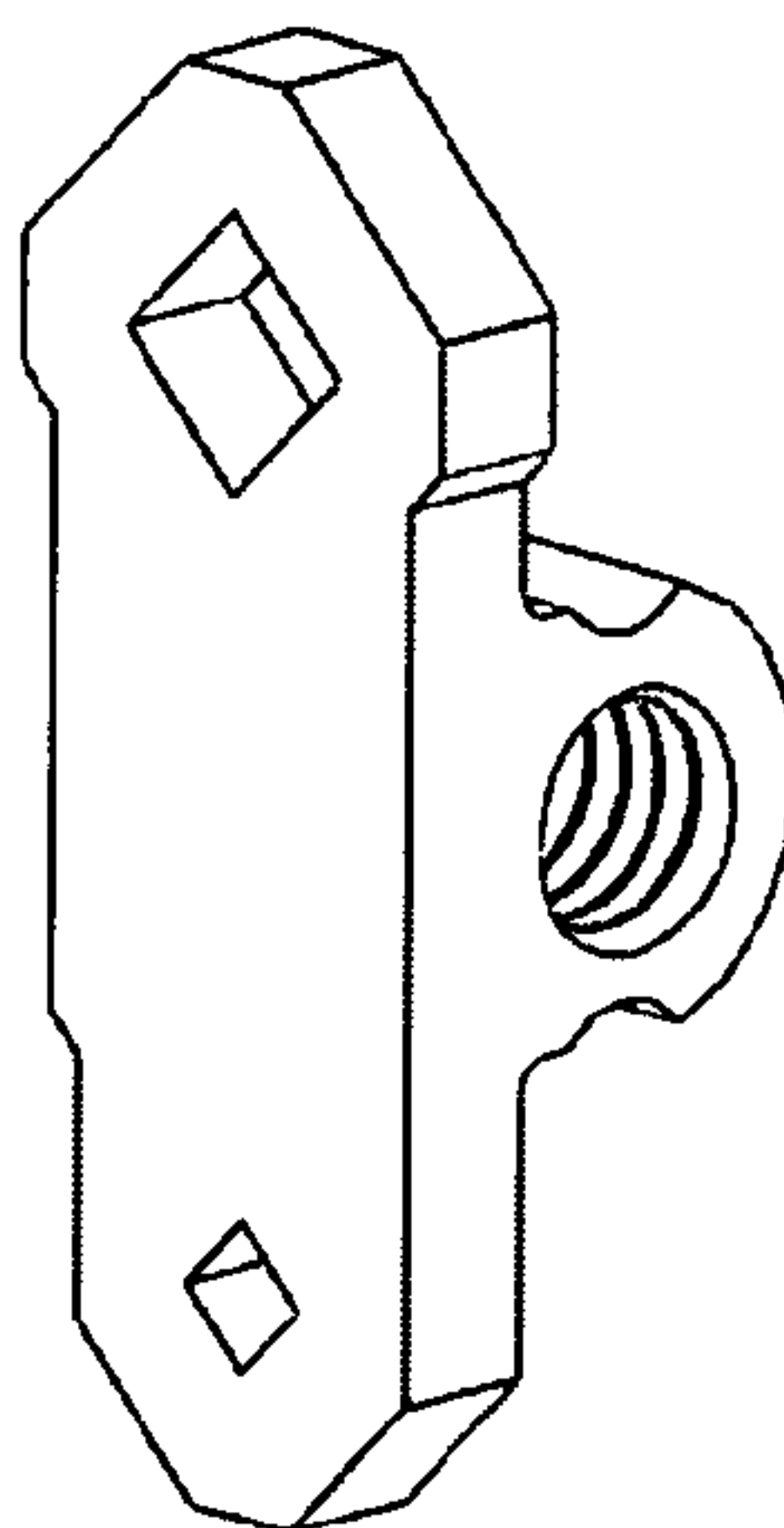
FIG. 5 is a left side view of the dual aperture gunsight body shown in FIG. 1;

FIG. 6 is a top view of the dual aperture gunsight body shown in FIG. 1;

FIG. 7 is a bottom view of the dual aperture gunsight body shown in FIG. 1; and,

FIG. 8 is a perspective view of a second embodiment of a dual aperture gunsight body in accordance with the present invention, wherein the only difference being minor indentions within side surfaces (shown in FIGS. 4 and 5) that extend between front and rear surfaces (shown in FIGS. 2 and 3, respectively) and wherein it is understood that all other surfaces are the same as those of the first embodiment.

1 Claim, 2 Drawing Sheets



US D602,115 S

Page 2

U.S. PATENT DOCUMENTS							
				2003/0140546	A1*	7/2003	Kay 42/133
D534,986	S	*	1/2007 Warren et al. D22/109	2007/0130817	A1*	6/2007	Ballard 42/118
D546,915	S	*	7/2007 Price D22/109	2007/0234625	A1*	10/2007	Kidd 42/111
D546,916	S		7/2007 Schwerman	2008/0276519	A1*	11/2008	Ballard 42/143
D565,144	S	*	3/2008 Price D22/109	2008/0276520	A1*	11/2008	Ballard 42/143
D588,228	S	*	3/2009 Swan D22/109	2009/0049734	A1*	2/2009	Storch et al. 42/136
D594,083	S	*	6/2009 Mayberry et al. D22/109				
D594,084	S	*	6/2009 Mayberry et al. D22/109				

* cited by examiner

FIG. 1

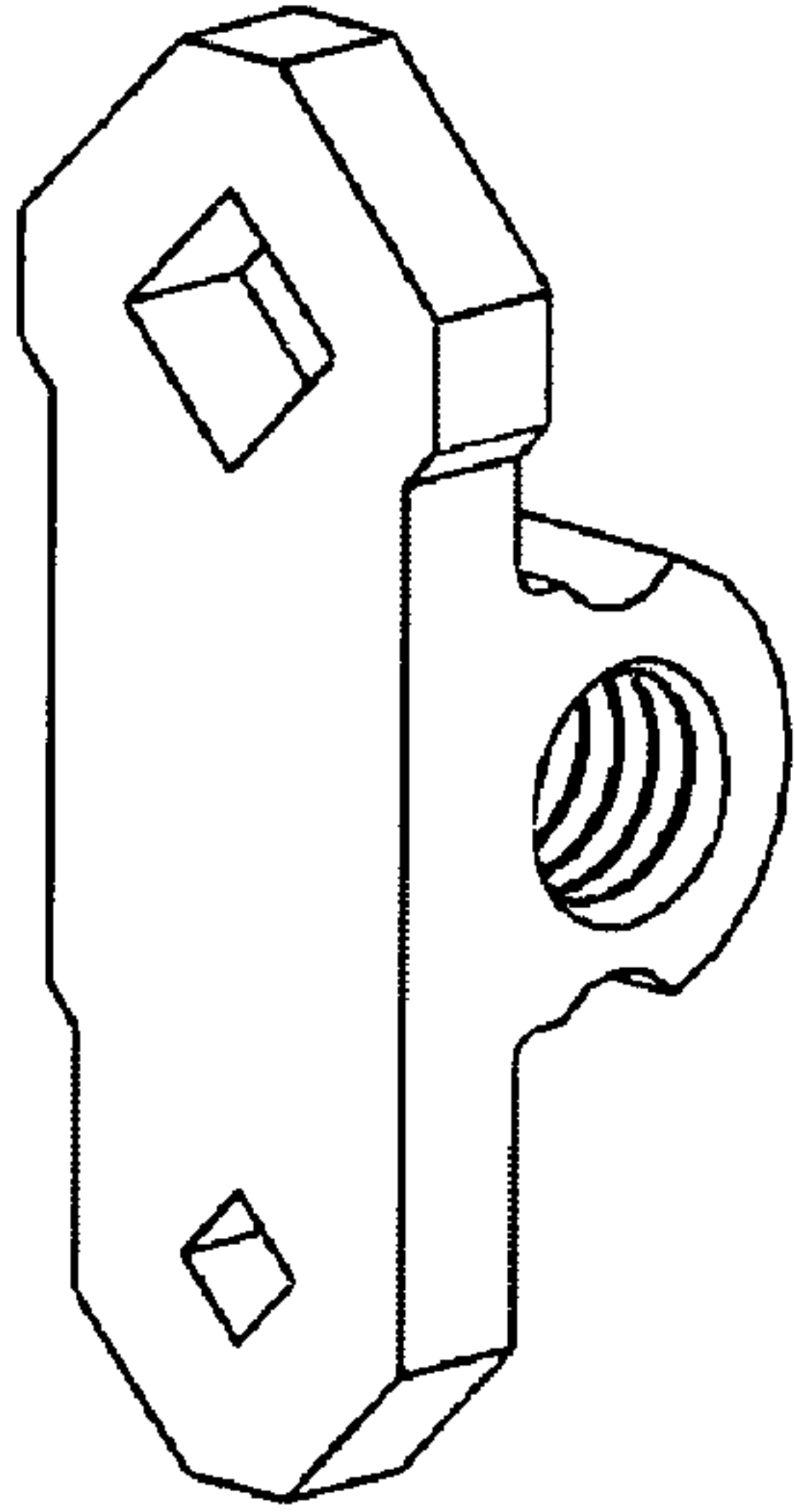


FIG. 2

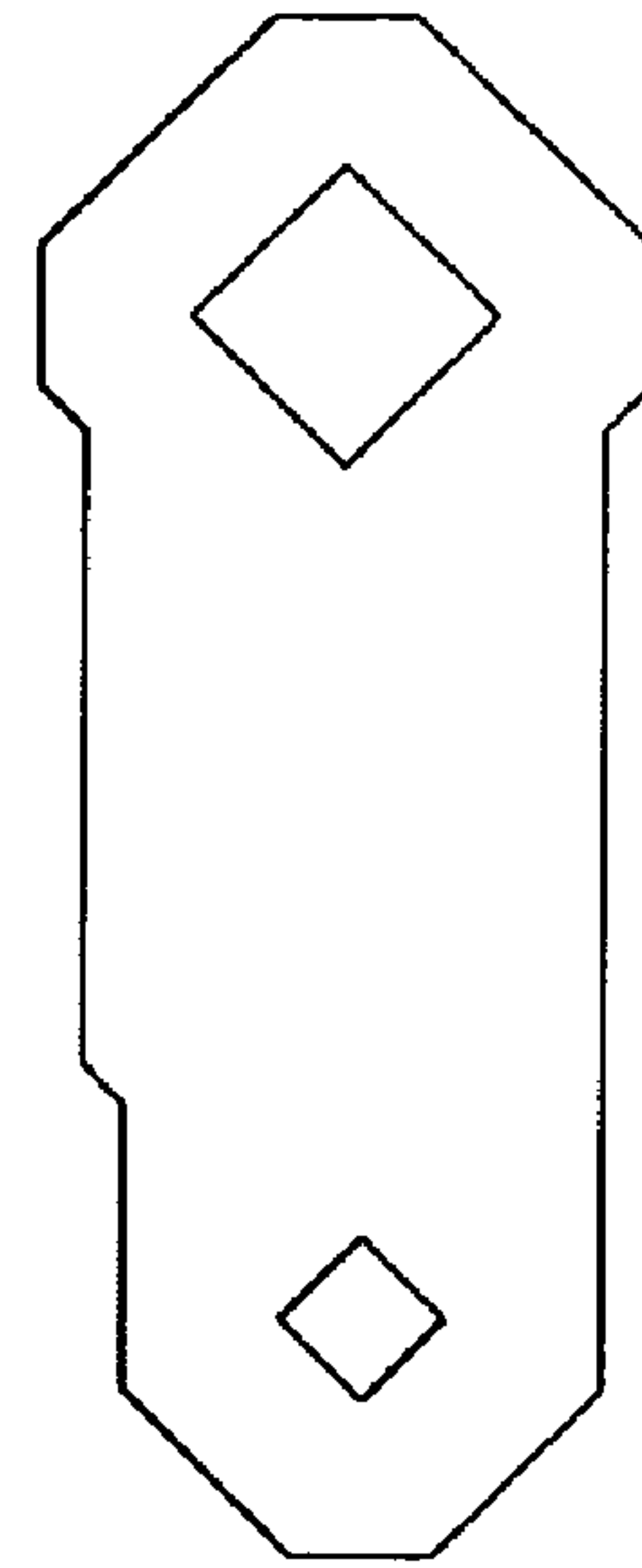
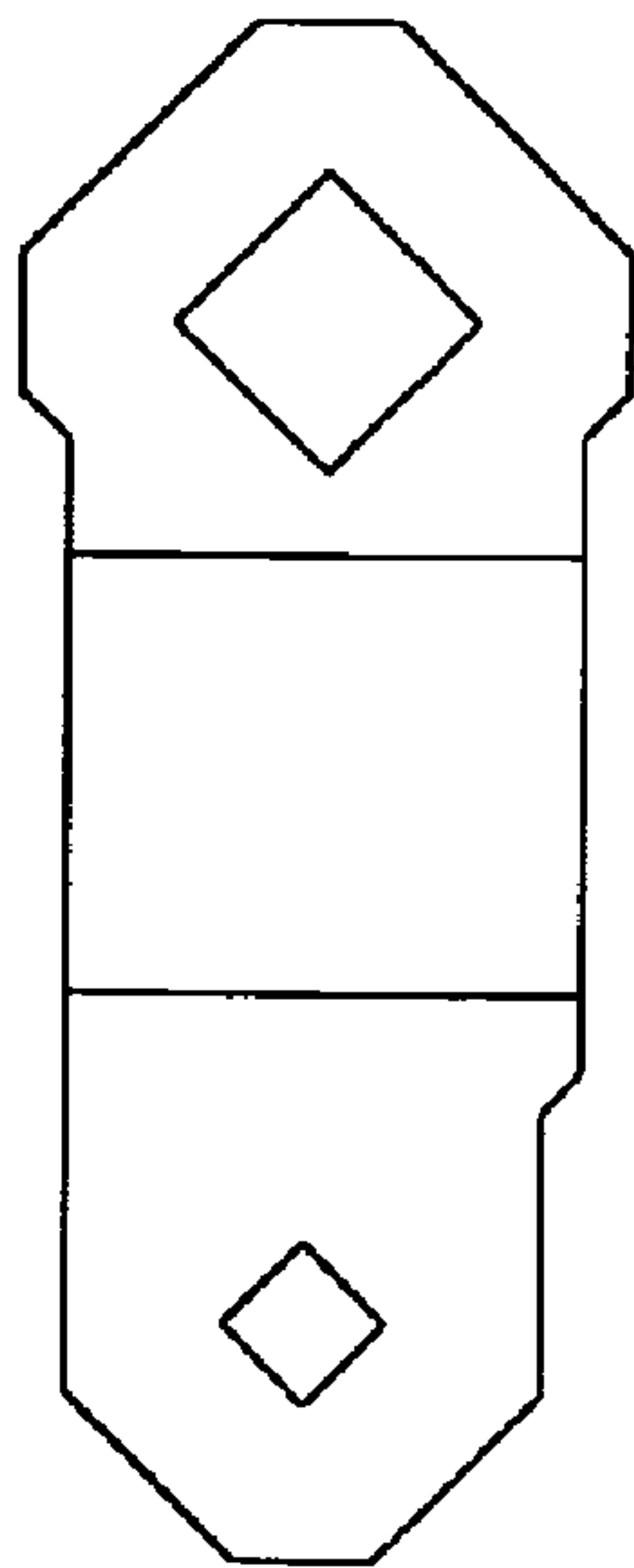


FIG. 3



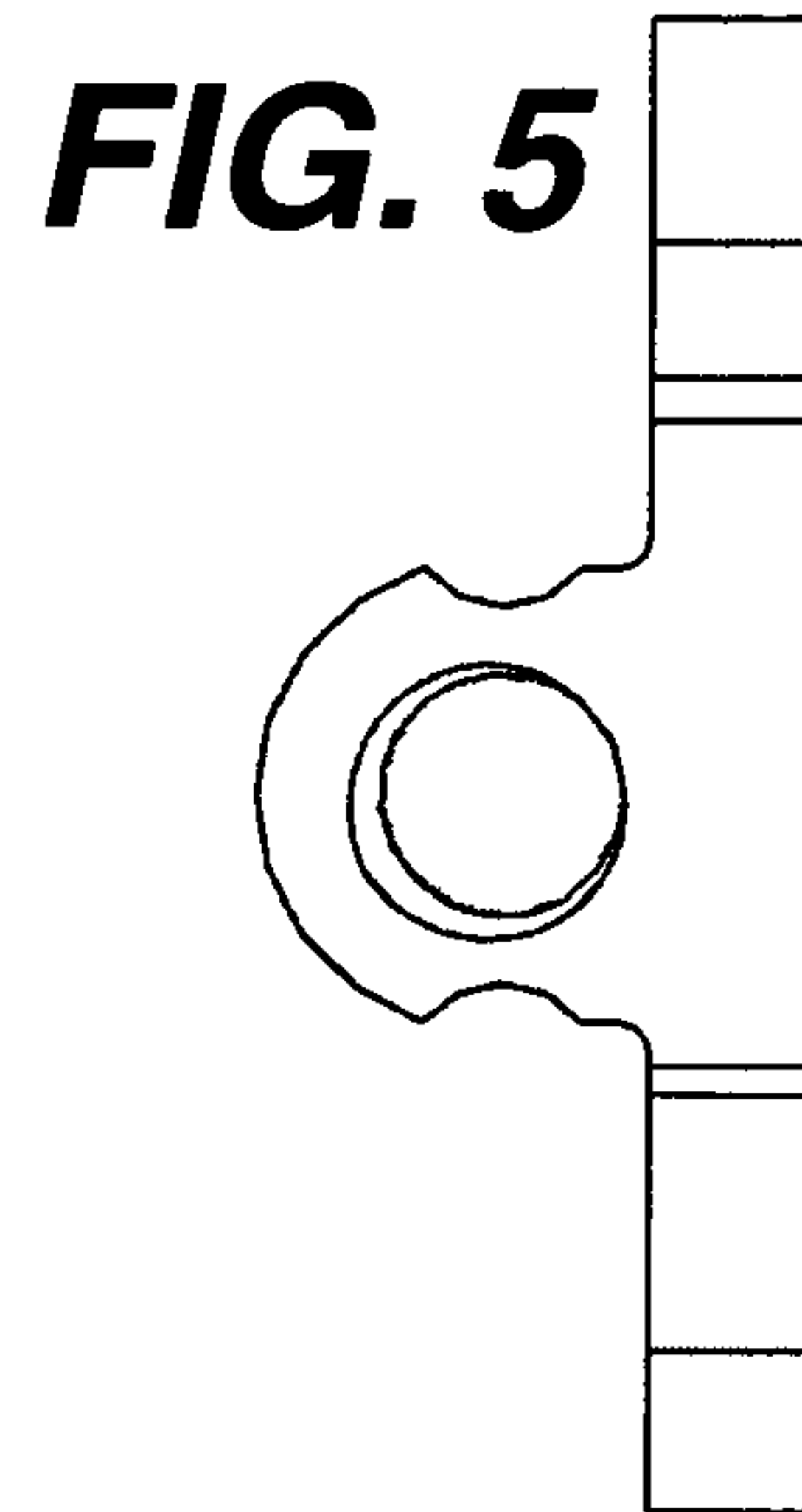
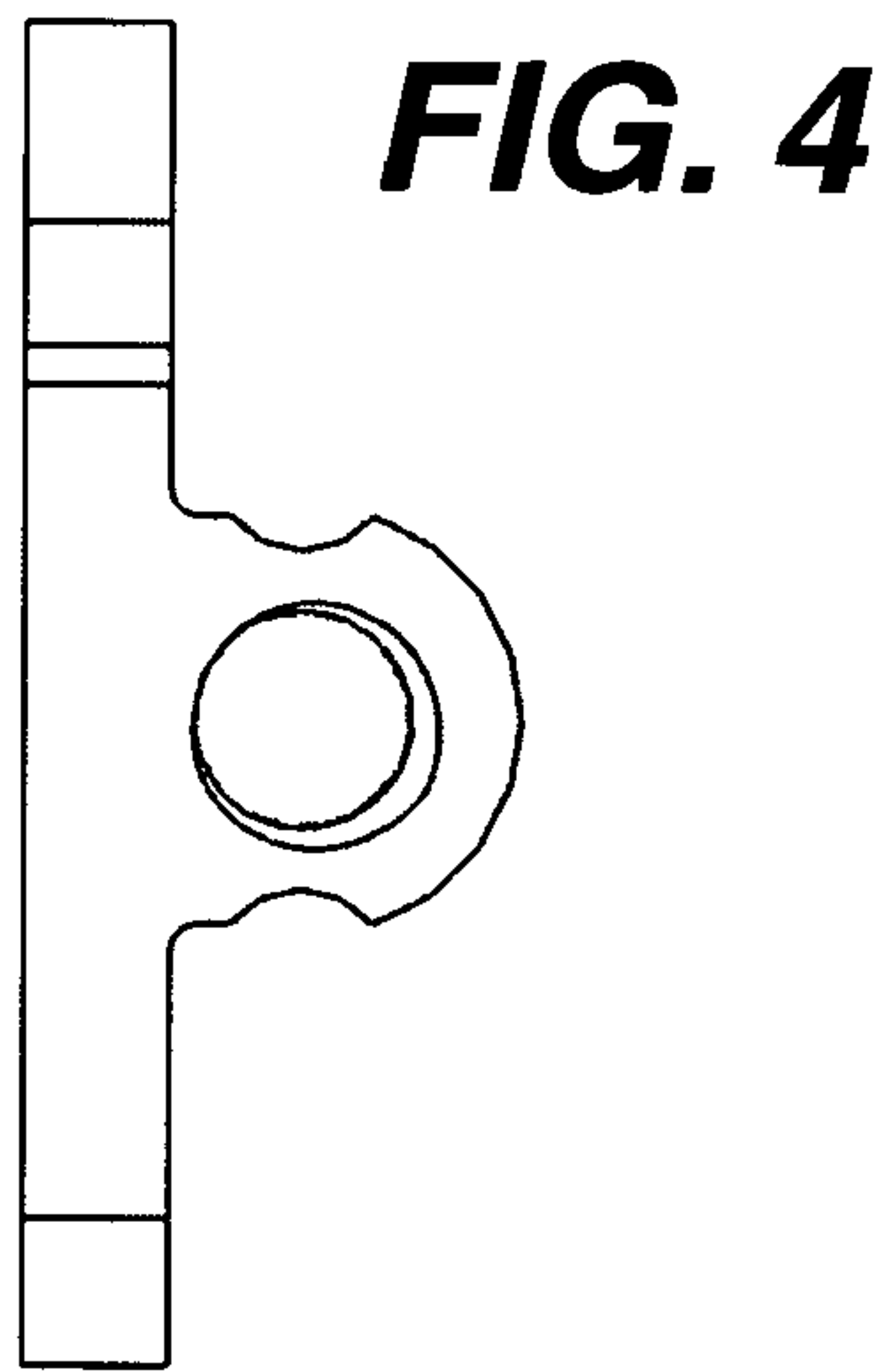


FIG. 6

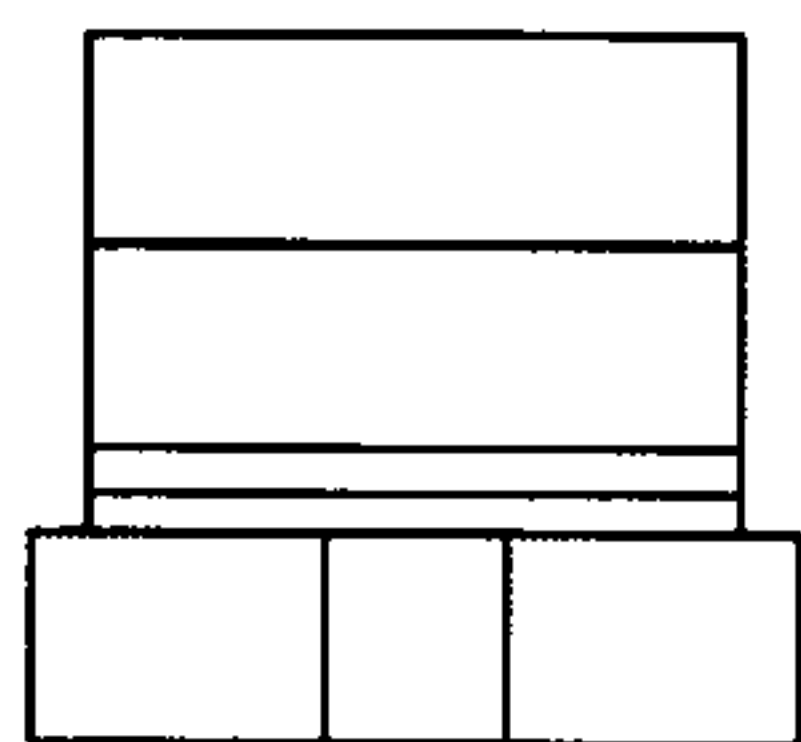


FIG. 7

