



US00D602112S

(12) **United States Design Patent**
Ballard

(10) **Patent No.:** **US D602,112 S**
(45) **Date of Patent:** **** Oct. 13, 2009**

- (54) **DUAL APERTURE GUNSIGHT BODY**
- (76) Inventor: **Marlin Daniel Ballard**, 4900 W.
William Cannon, Austin, TX (US) 78749
- (**) Term: **14 Years**
- (21) Appl. No.: **29/314,691**
- (22) Filed: **Apr. 20, 2009**

D429,789 S	8/2000	Sheehan	
D435,283 S *	12/2000	Ling, Jr.	D22/109
6,360,471 B1	3/2002	Stein	
6,681,512 B2 *	1/2004	Sammut	42/122
D515,170 S *	2/2006	Price	D22/109
7,040,027 B1	5/2006	Shaffer	
7,076,907 B2 *	7/2006	Nesseth et al.	42/140
D526,380 S *	8/2006	Swan	D22/109

(Continued)

Primary Examiner—T. Chase Nelson
Assistant Examiner—Michael A Pratt
(74) *Attorney, Agent, or Firm*—David O. Simmons

Related U.S. Application Data

- (63) Continuation-in-part of application No. 12/151,852, filed on May 9, 2008.

- (51) **LOC (9) Cl.** **22-01**
- (52) **U.S. Cl.** **D22/110**
- (58) **Field of Classification Search** D22/108–110,
D22/199; D16/130, 132, 133, 134, 330;
359/359, 399, 744, 823; 42/111, 119, 122,
42/133

See application file for complete search history.

(56) **References Cited**

U.S. PATENT DOCUMENTS

504,696 A *	9/1893	Armitstead	42/133
D34,244 S *	3/1901	Barger	D22/109
846,217 A	3/1907	King	
1,850,288 A *	3/1932	Robins	42/133
2,488,836 A	11/1949	Sweetman	
2,645,017 A	7/1953	Haase	
D183,136 S *	7/1958	McGabe	D22/109
D183,360 S *	8/1958	McGabe	D22/109
D226,480 S *	3/1973	Mauro	D22/109
D266,783 S *	11/1982	Stratman	D22/109
4,790,075 A *	12/1988	Howard, Sr.	42/130
4,993,158 A *	2/1991	Santiago	42/135
D328,485 S *	8/1992	Crowley	D22/109
D354,111 S *	1/1995	Karppinen	D22/109
5,577,326 A *	11/1996	Montelin	42/113
D390,303 S *	2/1998	Bullock	D22/111
D390,909 S *	2/1998	Smith	D22/109
D404,788 S *	1/1999	Gangl, Jr.	D22/109
D413,645 S *	9/1999	Sheehan	D22/109
D417,252 S *	11/1999	Kay	D22/108

(57) **CLAIM**

The ornamental design for a dual aperture gunsight body, substantially as shown and described.

DESCRIPTION

FIG. 1 is a perspective view of a first embodiment of a dual aperture gunsight body in accordance with the present invention;

FIG. 2 is a front view of the dual aperture gunsight body shown in FIG. 1;

FIG. 3 is a rear view of the dual aperture gunsight body shown in FIG. 1;

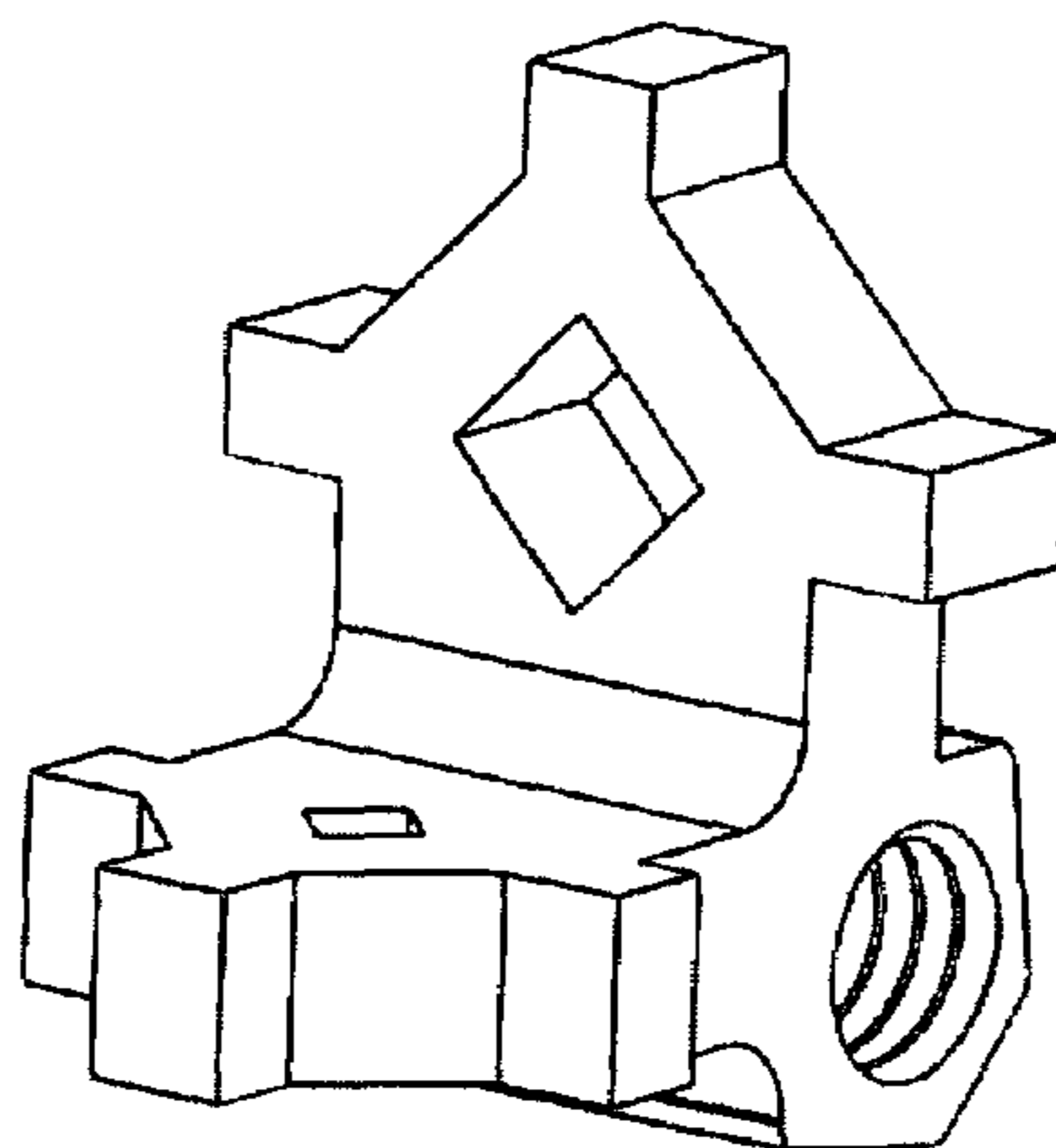
FIG. 4 is a right side view of the dual aperture gunsight body shown in FIG. 1, wherein the left side view is substantially identical to the right side view;

FIG. 5 is a top view of the dual aperture gunsight body shown in FIG. 1;

FIG. 6 is a bottom view of the dual aperture gunsight body shown in FIG. 1; and,

FIG. 7 is a perspective view of a second embodiment of a dual aperture gunsight body in accordance with the present invention, wherein the only difference being minor indentions within side surfaces (shown in FIG. 4) that extend between front and rear surfaces (shown in FIGS. 2 and 3, respectively) and wherein it is understood that all other surfaces are the same as those of the first embodiment.

1 Claim, 2 Drawing Sheets



US D602,112 S

Page 2

U.S. PATENT DOCUMENTS

D526,695 S *	8/2006	Warren	D22/109					
D531,693 S *	11/2006	Warren et al.	D22/109					
D533,616 S *	12/2006	Warren	D22/109					
D533,617 S *	12/2006	Warren	D22/109					
D534,986 S *	1/2007	Warren et al.	D22/109					
D546,915 S *	7/2007	Price	D22/109					
D546,916 S	7/2007	Schwerman							
D565,144 S *	3/2008	Price	D22/109					
D588,228 S *	3/2009	Swan	D22/109					
					D594,083 S *	6/2009	Mayberry et al.	D22/109
					D594,084 S *	6/2009	Mayberry et al.	D22/109
					2003/0140546 A1 *	7/2003	Kay	42/133
					2007/0130817 A1 *	6/2007	Ballard	42/118
					2007/0234625 A1 *	10/2007	Kidd	42/111
					2008/0276519 A1 *	11/2008	Ballard	42/143
					2008/0276520 A1 *	11/2008	Ballard	42/143
					2009/0049734 A1 *	2/2009	Storch et al.	42/136

* cited by examiner

FIG. 1

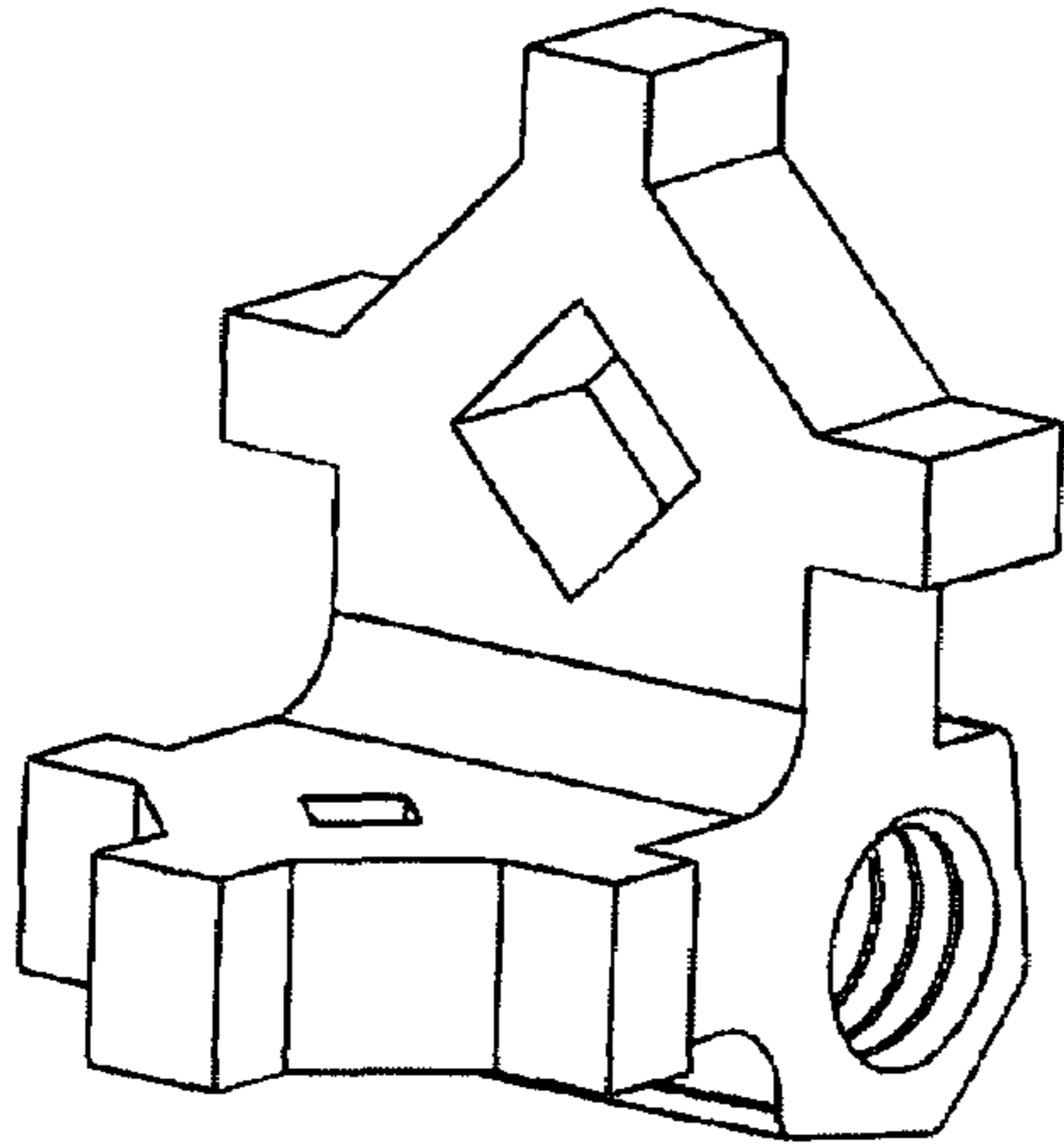


FIG. 2

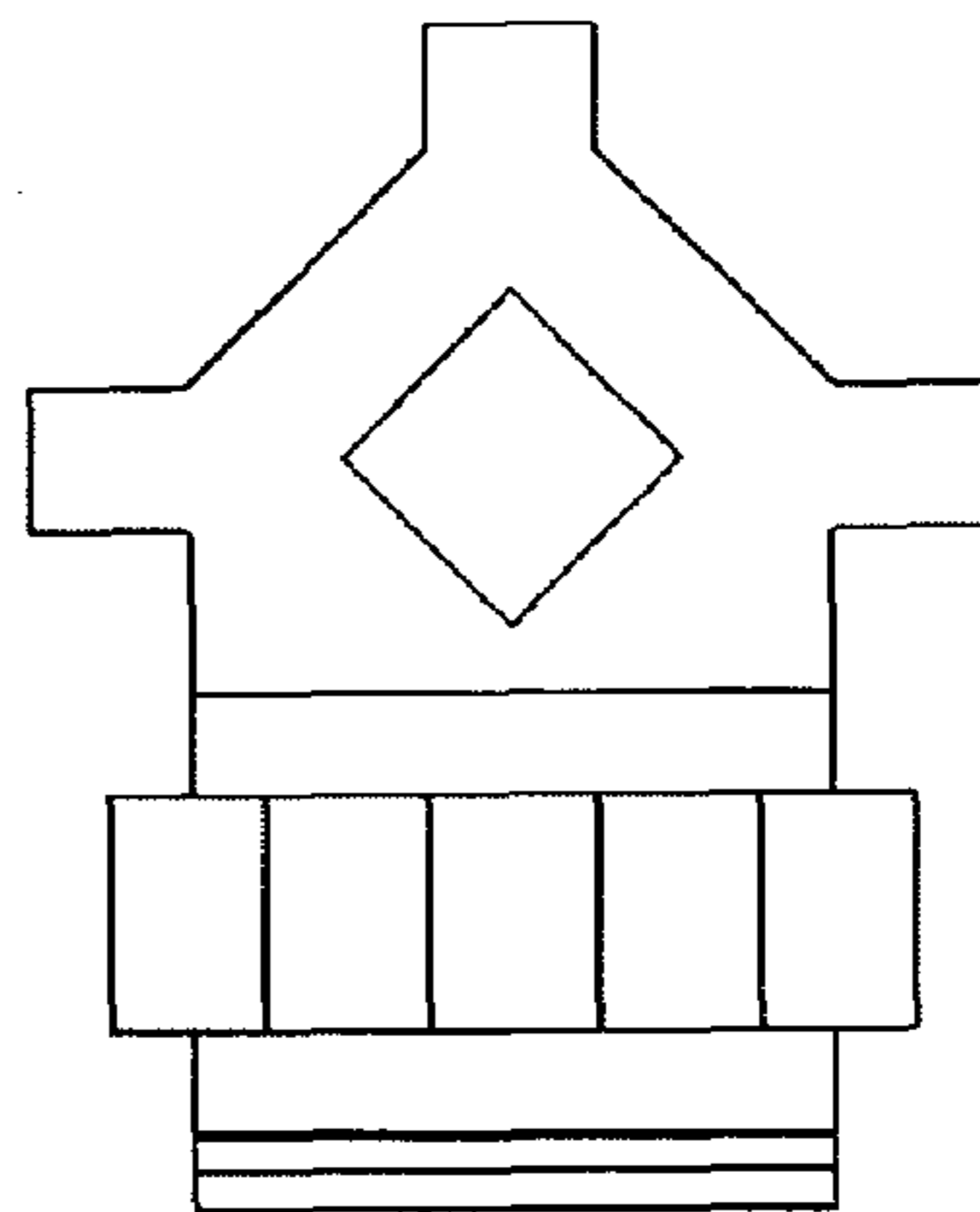
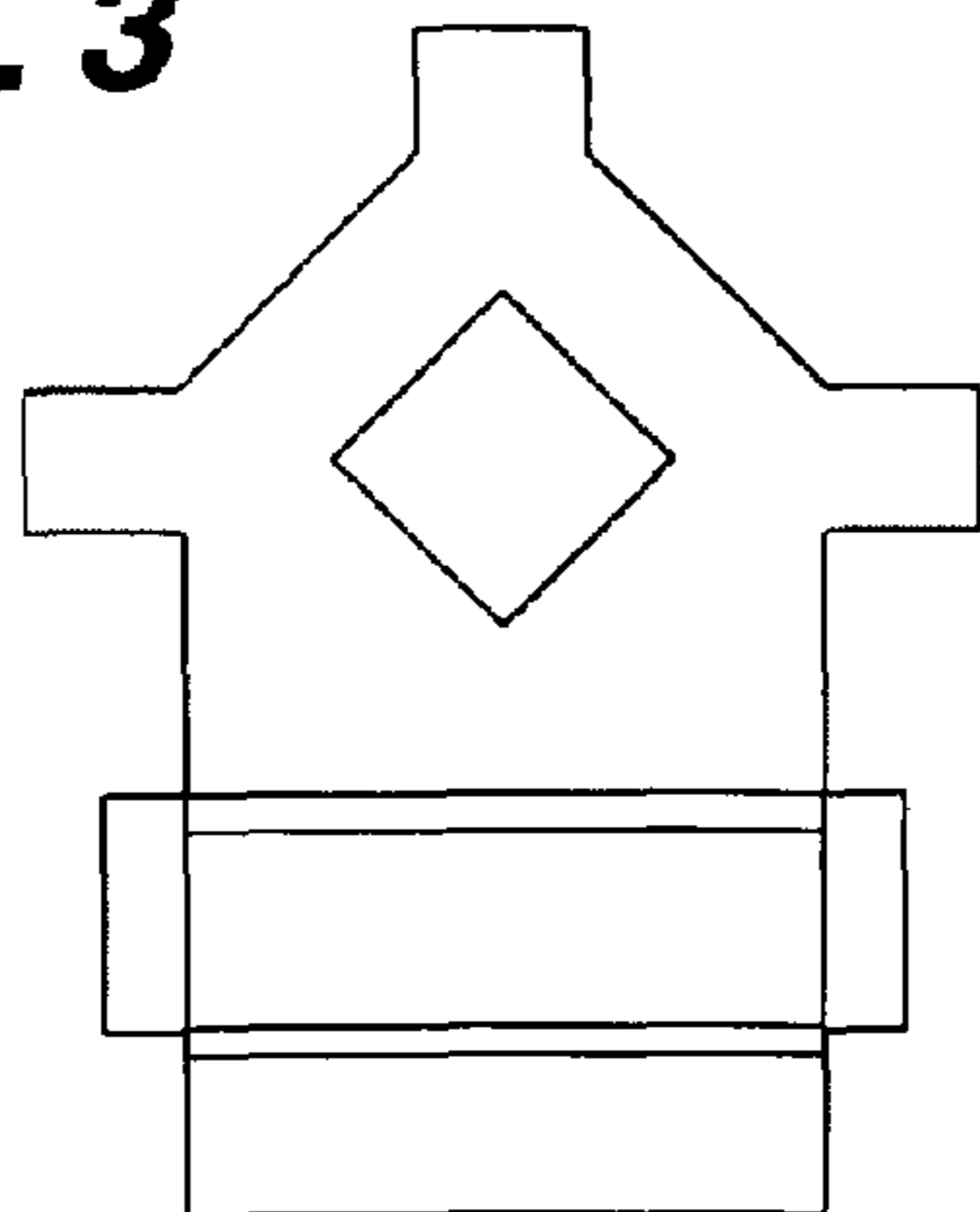


FIG. 3



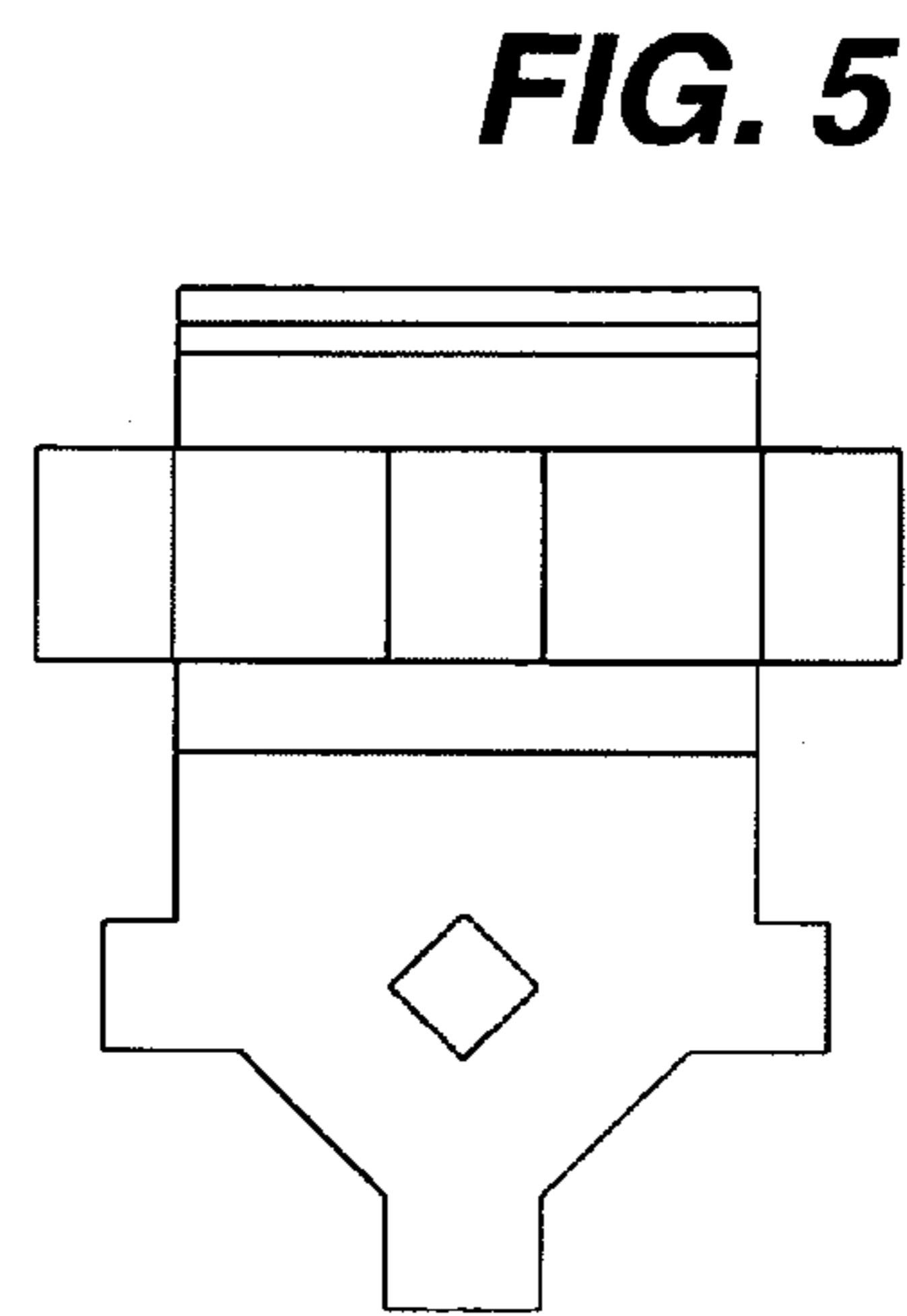
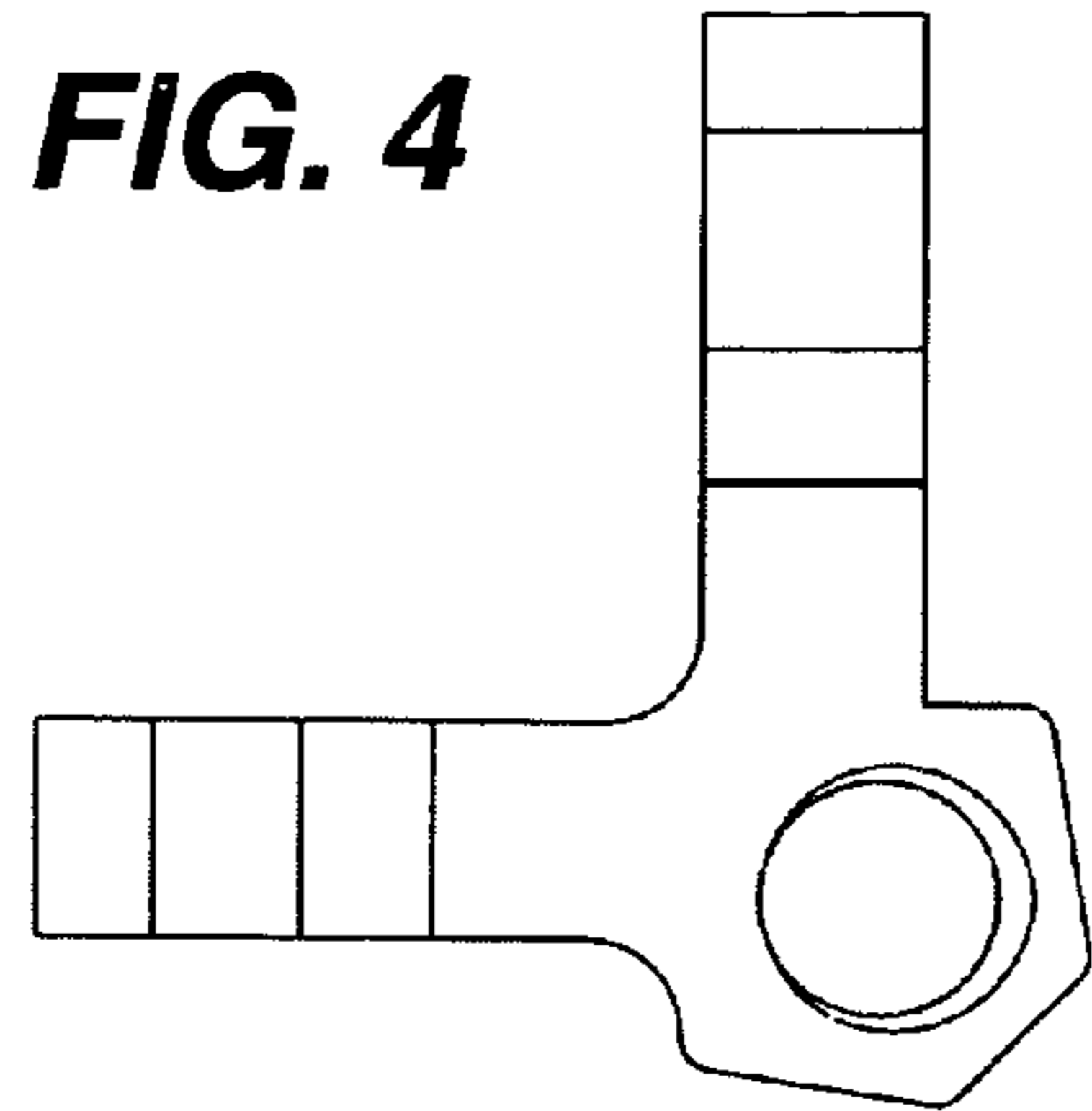


FIG. 6

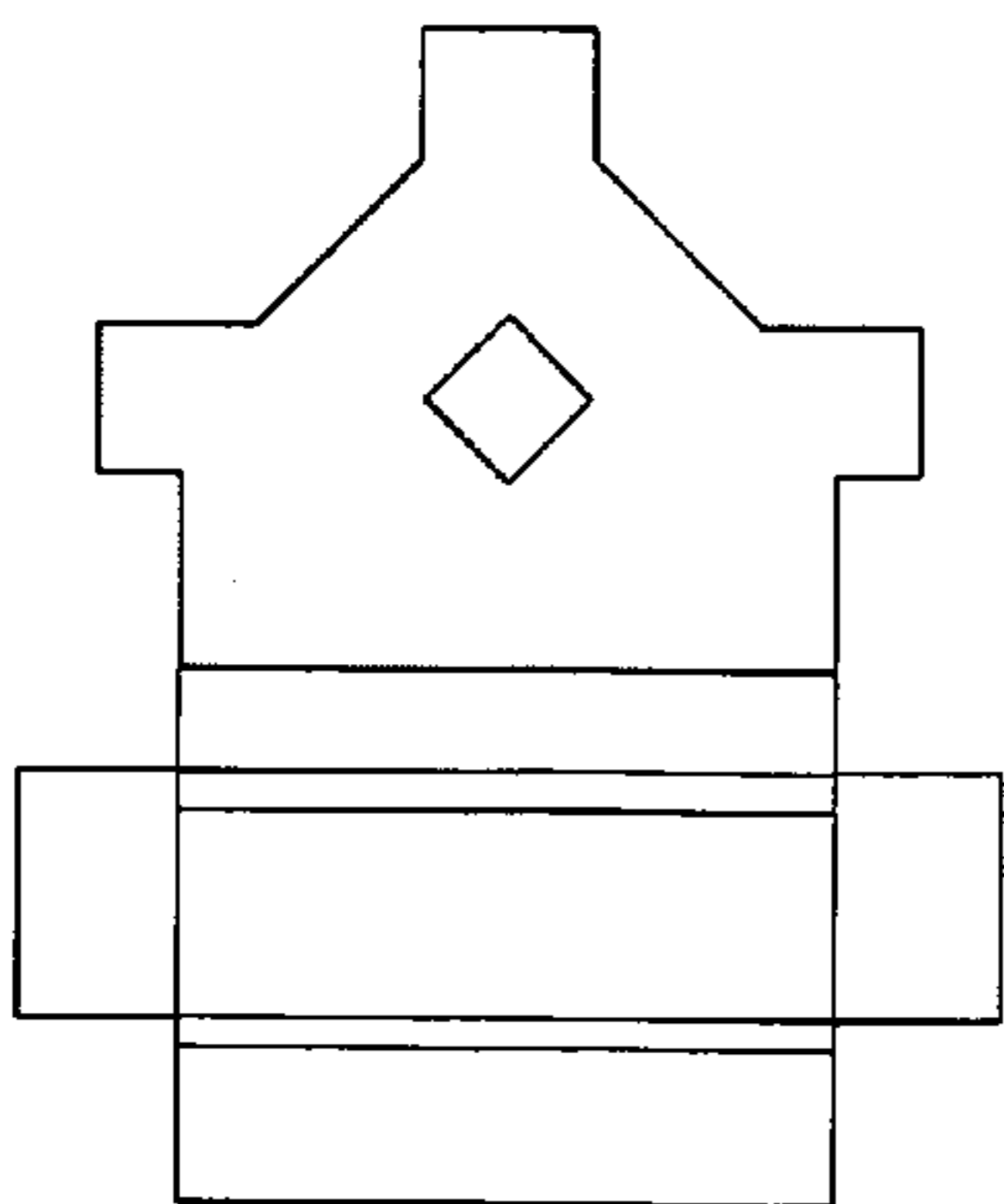


FIG. 7

