



US00D602110S

(12) **United States Design Patent**  
**Ballard**

(10) **Patent No.:** **US D602,110 S**  
(45) **Date of Patent:** **\*\* Oct. 13, 2009**

(54) **DUAL APERTURE GUNSIGHT BODY**  
(76) Inventor: **Marlin Daniel Ballard**, 4900 W.  
William Cannon, Austin, TX (US) 78749

7,040,027 B1 5/2006 Shaffer  
7,076,907 B2 \* 7/2006 Nesseth et al. .... 42/140  
D526,380 S \* 8/2006 Swan ..... D22/109  
D526,695 S \* 8/2006 Warren ..... D22/109

(\*\*) Term: **14 Years**

(Continued)

(21) Appl. No.: **29/314,687**

*Primary Examiner*—T. Chase Nelson  
*Assistant Examiner*—Michael A Pratt  
(74) *Attorney, Agent, or Firm*—David O. Simmons

(22) Filed: **Apr. 20, 2009**

(51) **LOC (9) Cl.** ..... **22-01**  
(52) **U.S. Cl.** ..... **D22/110**  
(58) **Field of Classification Search** ..... D22/108–110,  
D22/199; D16/130, 132, 133, 134, 330;  
359/359, 399, 744, 823; 42/111, 119, 122,  
42/133

(57) **CLAIM**

The ornamental design for a dual aperture gunsight body, substantially as shown and described.

See application file for complete search history.

**DESCRIPTION**

(56) **References Cited**

U.S. PATENT DOCUMENTS

504,696	A *	9/1893	Armitstead	42/133
D34,244	S *	3/1901	Barger	D22/109
846,217	A	3/1907	King	
1,850,288	A *	3/1932	Robbins	42/133
2,488,836	A	11/1949	Sweetman	
2,645,017	A	7/1953	Haase	
D183,136	S *	7/1958	McGabe	D22/109
D183,360	S *	8/1958	McGabe	D22/109
D226,480	S *	3/1973	Mauro	D22/109
D266,783	S *	11/1982	Stratman	D22/109
4,790,075	A *	12/1988	Howard, Sr.	42/130
4,993,158	A *	2/1991	Santiago	42/135
D328,485	S *	8/1992	Crowley	D22/109
D354,111	S *	1/1995	Karppinen	D22/109
5,577,326	A *	11/1996	Montelin	42/113
D390,303	S *	2/1998	Bullock	D22/111
D390,909	S *	2/1998	Smith	D22/109
D404,788	S *	1/1999	Gangl, Jr.	D22/109
D413,645	S *	9/1999	Sheehan	D22/109
D417,252	S *	11/1999	Kay	D22/108
D429,789	S	8/2000	Sheehan	
D435,283	S *	12/2000	Ling, Jr.	D22/109
6,360,471	B1	3/2002	Stein	
6,681,512	B2 *	1/2004	Sammut	42/122
D515,170	S *	2/2006	Price	D22/109

FIG. 1 is a perspective view of a first embodiment of a dual aperture gunsight body in accordance with the present invention;

FIG. 2 is a front view of the dual aperture gunsight body shown in FIG. 1;

FIG. 3 is a rear view of the dual aperture gunsight body shown in FIG. 1;

FIG. 4 is a right side view of the dual aperture gunsight body shown in FIG. 1;

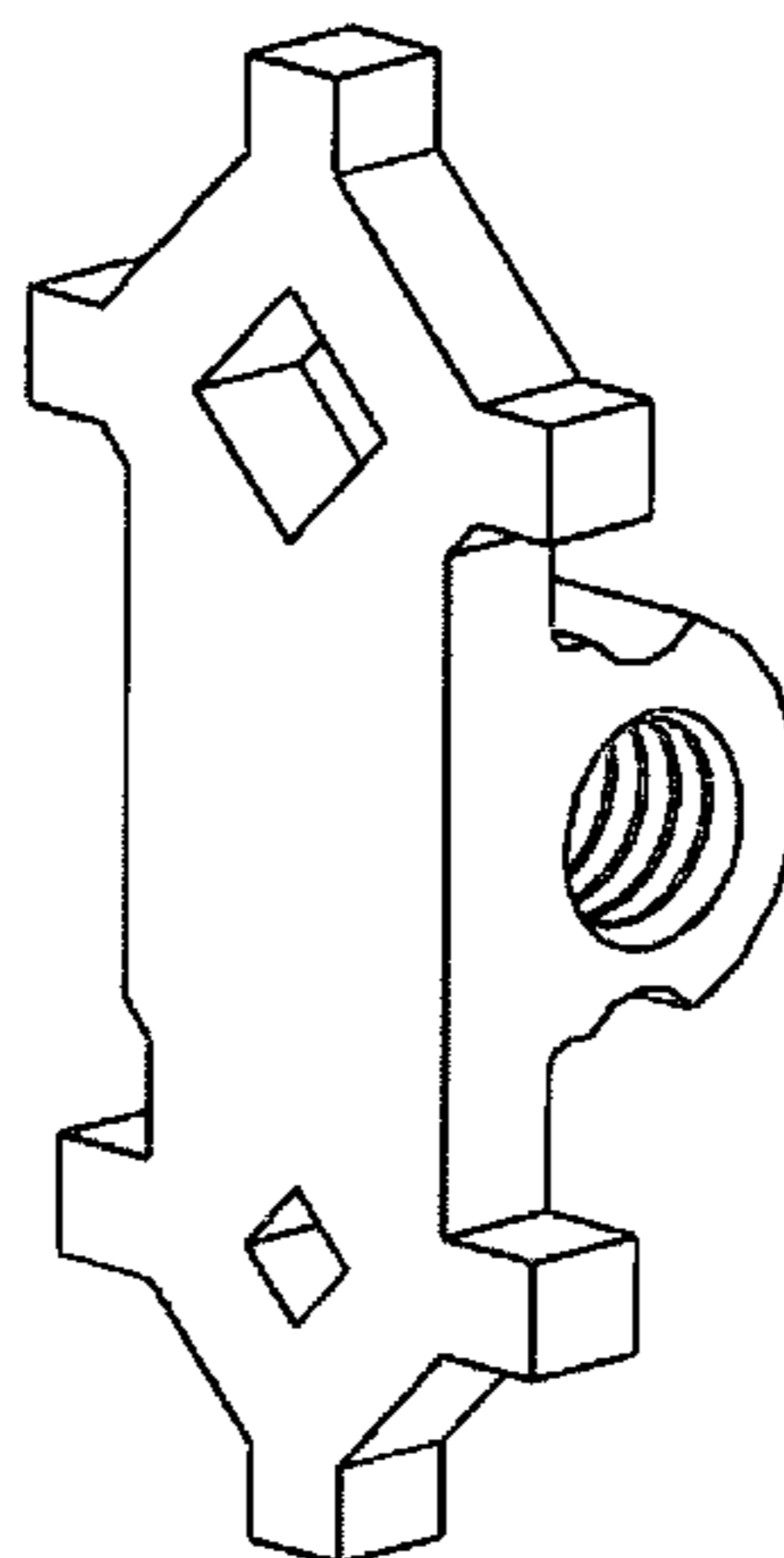
FIG. 5 is a left side view of the dual aperture gunsight body shown in FIG. 1;

FIG. 6 is a top view of the dual aperture gunsight body shown in FIG. 1;

FIG. 7 is a bottom view of the dual aperture gunsight body shown in FIG. 1; and,

FIG. 8 is a perspective view of a second embodiment of a dual aperture gunsight body in accordance with the present invention, wherein the only difference being minor indentions within side surfaces (shown in FIGS. 4 and 5) that extend between front and rear surfaces (shown in FIGS. 2 and 3, respectively) and wherein it is understood that all other surfaces are the same as those of the first embodiment.

**1 Claim, 2 Drawing Sheets**



# US D602,110 S

Page 2

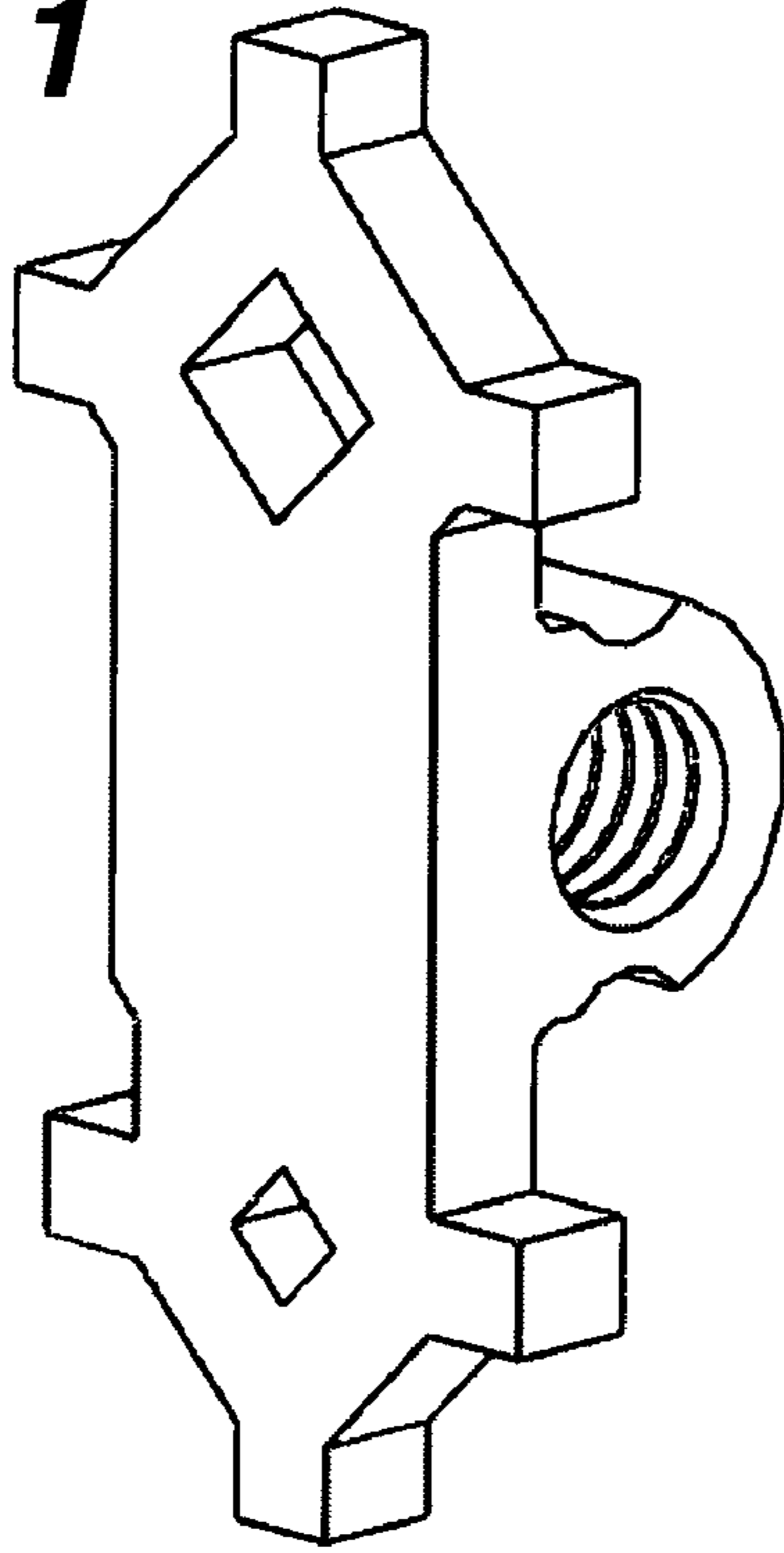
---

## U.S. PATENT DOCUMENTS

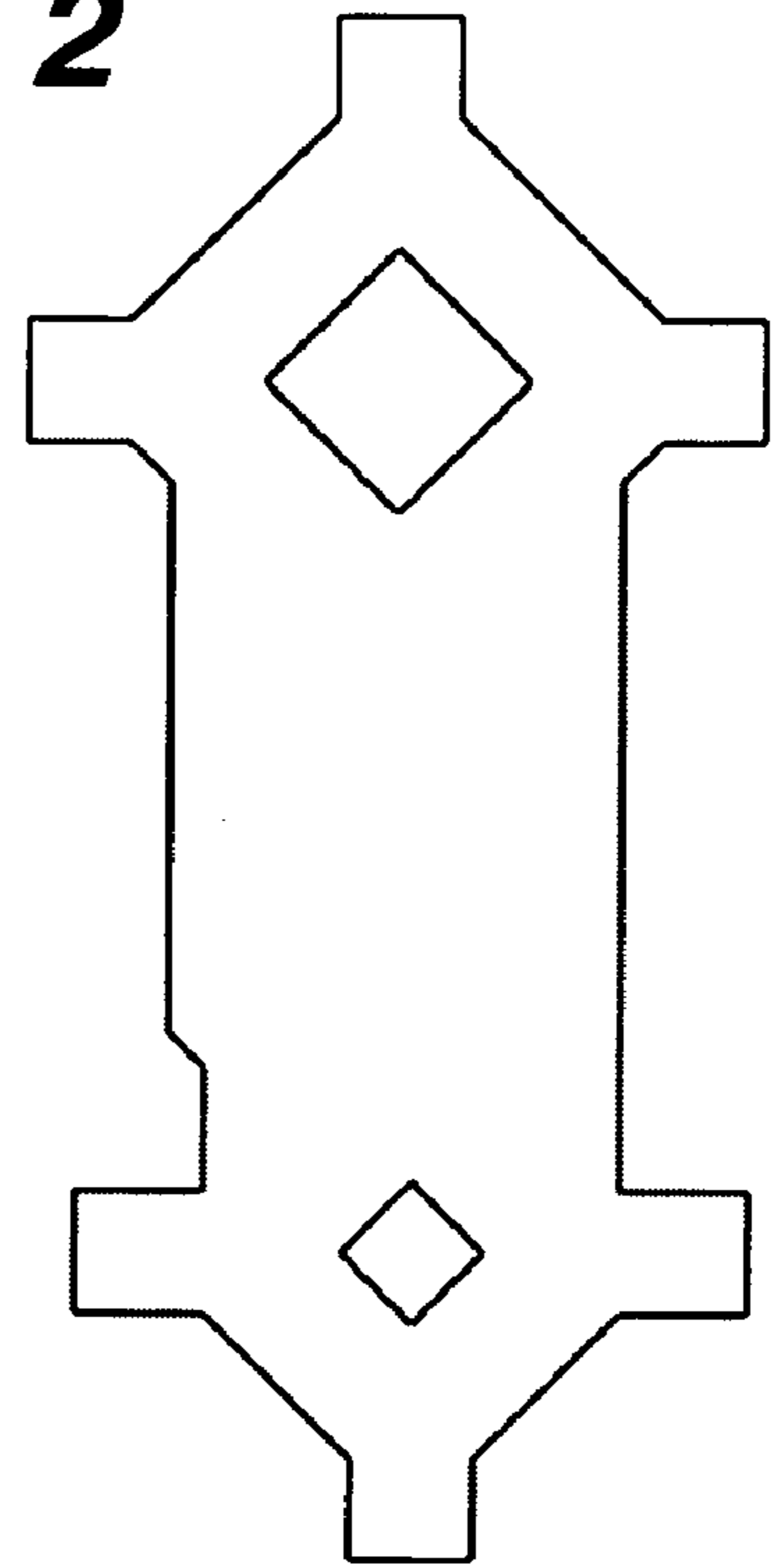
D531,693 S *	11/2006	Warren et al. ....	D22/109	D594,083 S *	6/2009	Mayberry et al. ....	D22/109
D533,616 S *	12/2006	Warren .....	D22/109	D594,084 S *	6/2009	Mayberry et al. ....	D22/109
D533,617 S *	12/2006	Warren .....	D22/109	2003/0140546 A1 *	7/2003	Kay .....	42/133
D534,986 S *	1/2007	Warren et al. ....	D22/109	2007/0130817 A1 *	6/2007	Ballard .....	42/118
D546,915 S *	7/2007	Price .....	D22/109	2007/0234625 A1 *	10/2007	Kidd .....	42/111
D546,916 S	7/2007	Schwerman		2008/0276519 A1 *	11/2008	Ballard .....	42/143
D565,144 S *	3/2008	Price .....	D22/109	2008/0276520 A1 *	11/2008	Ballard .....	42/143
D588,228 S *	3/2009	Swan .....	D22/109	2009/0049734 A1 *	2/2009	Storch et al. ....	42/136

\* cited by examiner

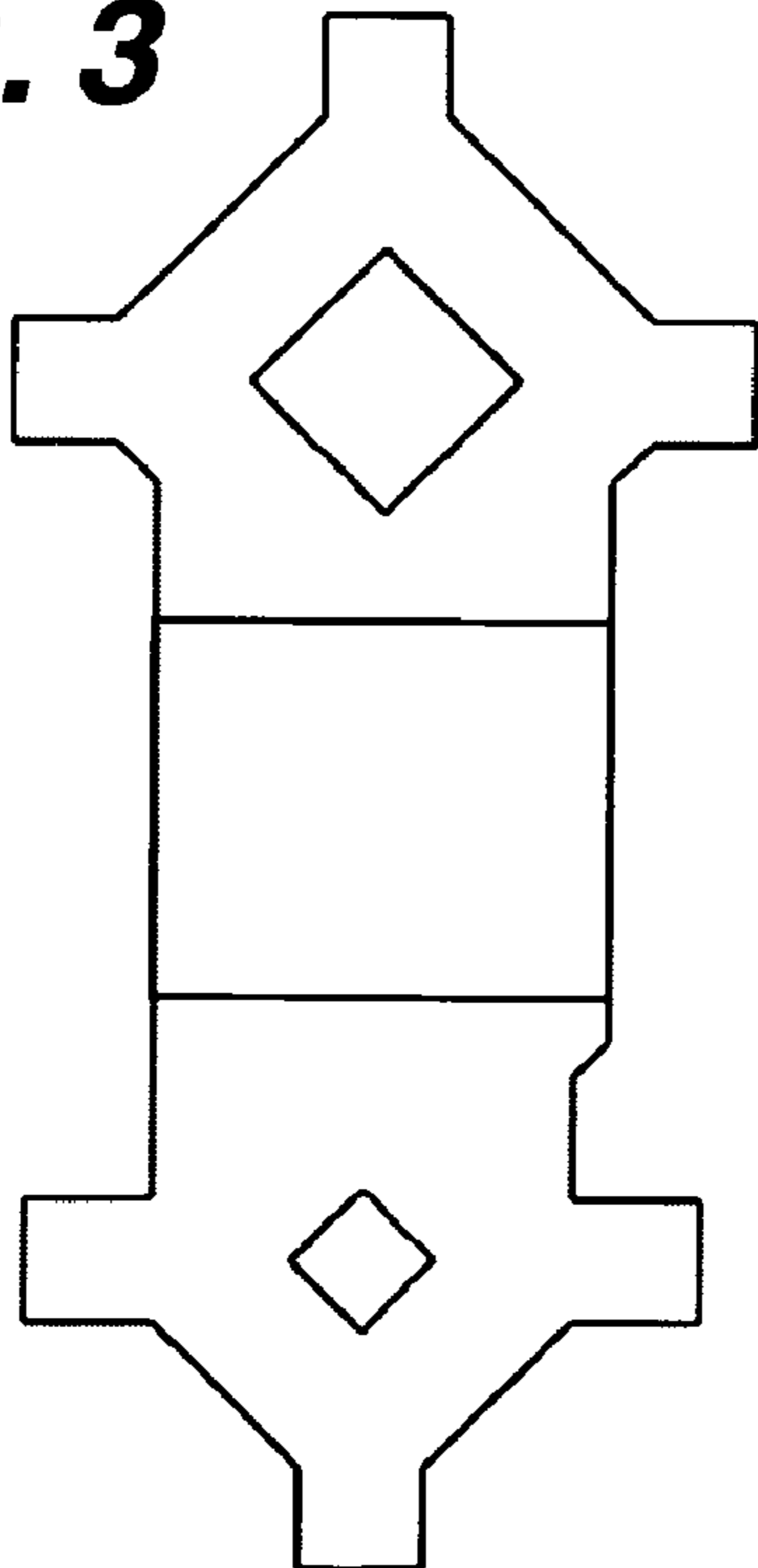
**FIG. 1**



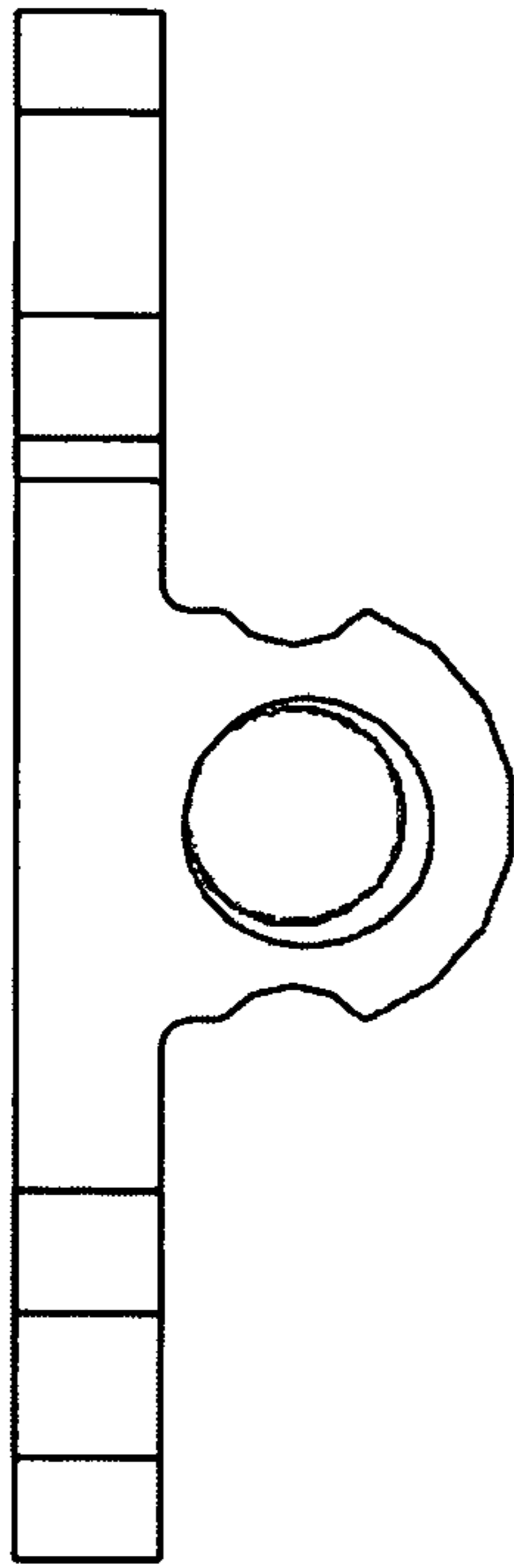
**FIG. 2**



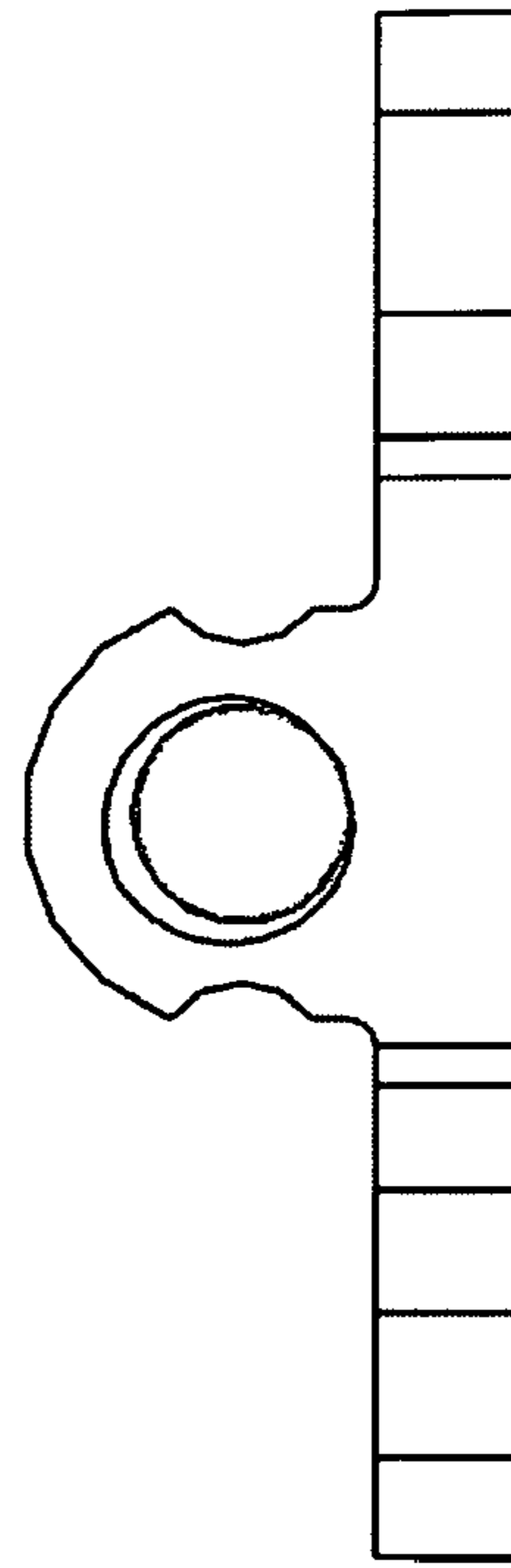
**FIG. 3**



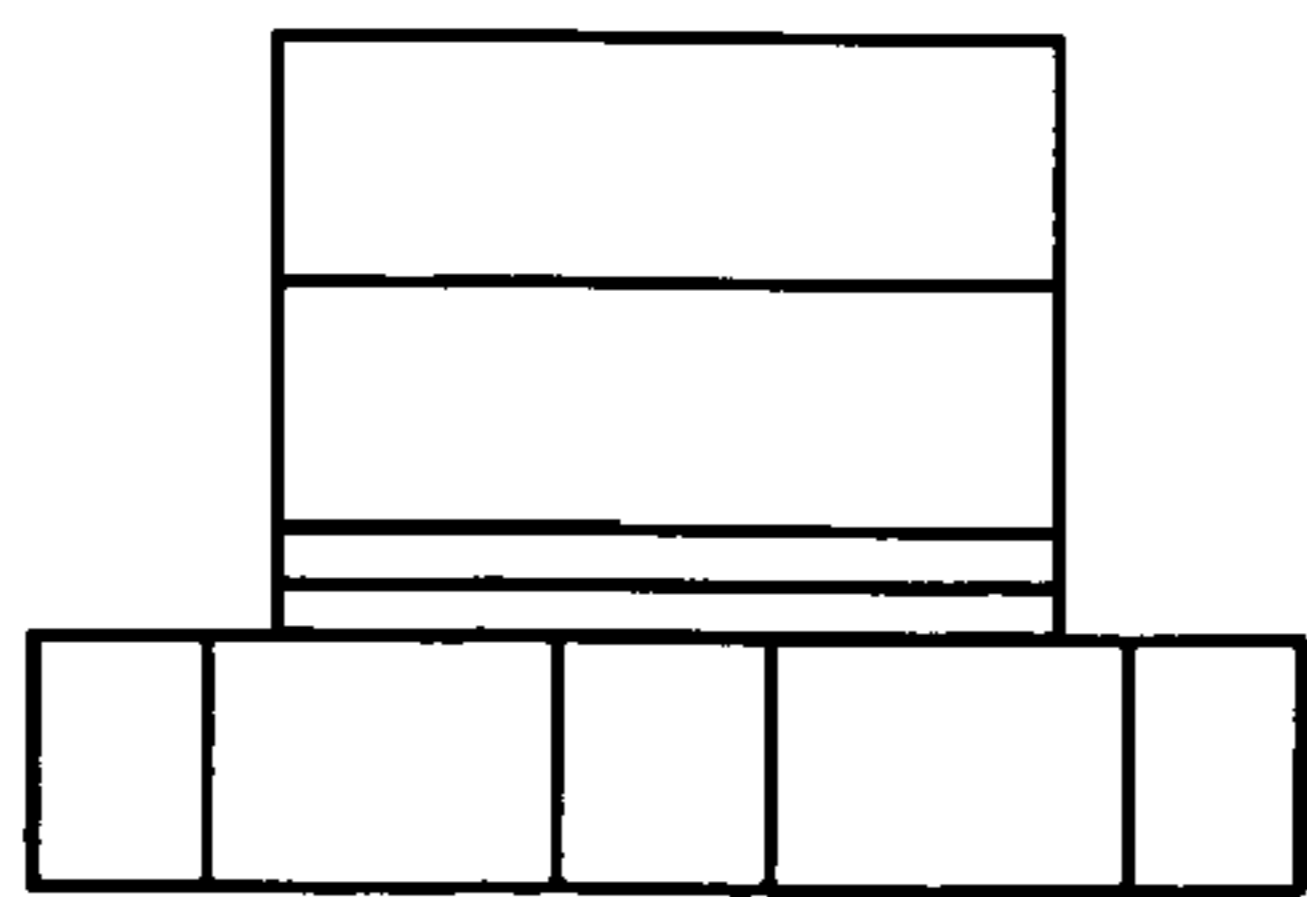
**FIG. 4**



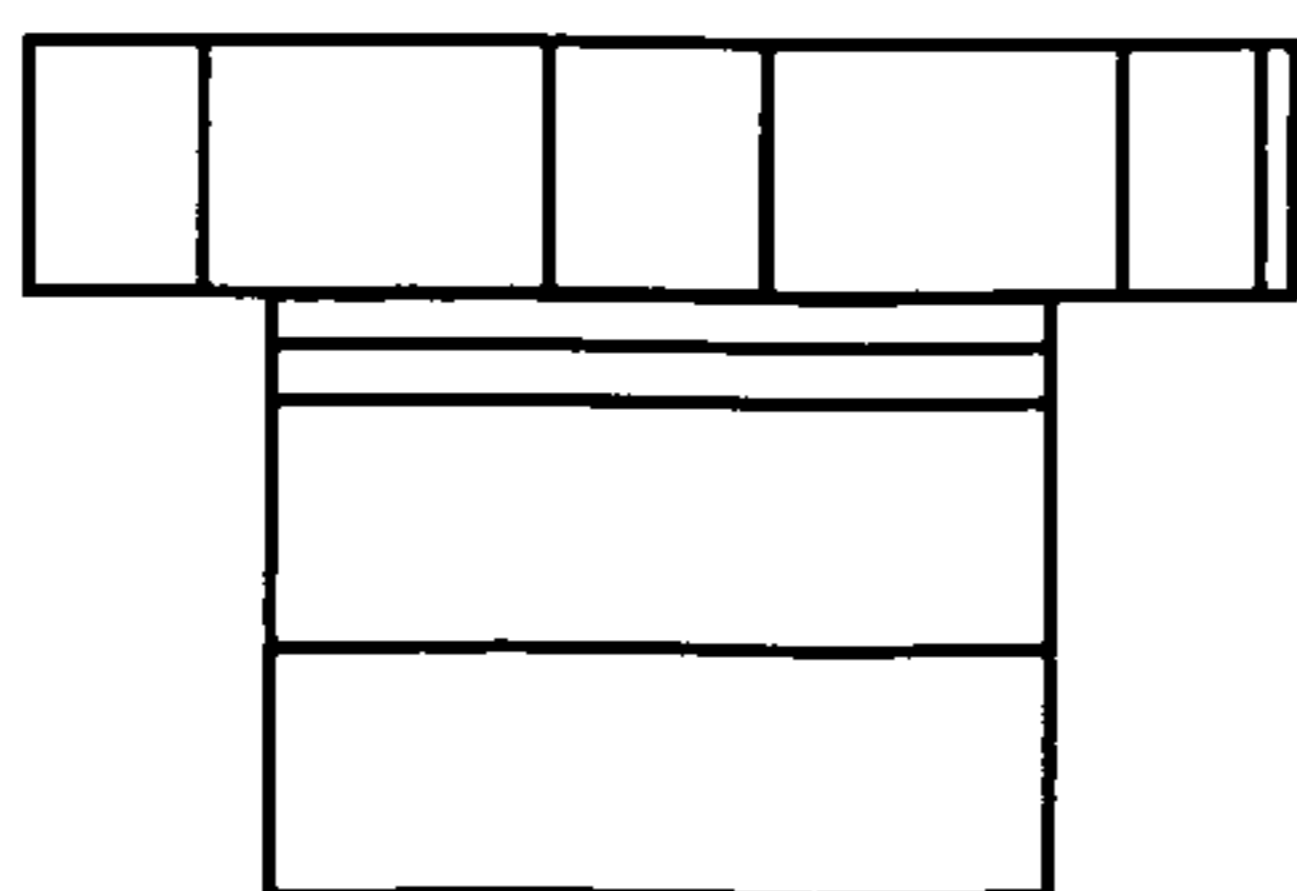
**FIG. 5**



**FIG. 6**



**FIG. 7**



**FIG. 8**

