



US00D602109S

(12) **United States Design Patent**  
**Cerovic et al.**

(10) **Patent No.:** **US D602,109 S**

(45) **Date of Patent:** **\*\* \*Oct. 13, 2009**

(54) **CARTRIDGE FOR ELECTRONIC CONTROL DEVICE**

(75) Inventors: **Milan Cerovic**, Phoenix, AZ (US);  
**Christopher W. Baldwin**, Mesa, AZ (US)

(73) Assignee: **TASER International, Inc.**, Scottsdale, AZ (US)

(\*) Notice: This patent is subject to a terminal disclaimer.

(\*\*) Term: **14 Years**

(21) Appl. No.: **29/297,339**

(22) Filed: **Nov. 8, 2007**

**Related U.S. Application Data**

(63) Continuation of application No. 29/275,727, filed on Jan. 4, 2007, now Pat. No. Des. 570,948.

(51) **LOC (9) Cl.** ..... **22-01**

(52) **U.S. Cl.** ..... **D22/108**

(58) **Field of Classification Search** ..... D22/104, D22/108, 117; 361/232; 102/438, 293, 439, 102/502, 430, 447, 448, 469; 124/57, 59; 222/5; 89/1.11; 42/1.01, 1.08, 84; 362/109, 362/119; 463/47.3, 47.4  
See application file for complete search history.

(56) **References Cited**

**U.S. PATENT DOCUMENTS**

4,486,807	A *	12/1984	Yanez	.....	361/232
D340,719	S *	10/1993	Yoder	.....	D14/238
5,283,971	A *	2/1994	Fuller et al.	.....	42/70.07
5,654,867	A	8/1997	Murray		
D393,305	S *	4/1998	Misner et al.	.....	D22/108
5,786,546	A *	7/1998	Simson	.....	102/438
5,791,327	A	8/1998	Riggs		
5,822,905	A *	10/1998	Teetzel	.....	42/117
5,831,199	A *	11/1998	McNulty et al.	.....	89/1.11
6,022,120	A	2/2000	Chang		

6,999,295	B2 *	2/2006	Watkins et al.	.....	361/232
7,222,925	B2 *	5/2007	Yu et al.	.....	312/245
2005/0024807	A1 *	2/2005	Cerovic et al.	.....	361/232
2006/0120009	A1	6/2006	Chudy		
2006/0187610	A1	8/2006	Su		
2006/0207466	A1 *	9/2006	McNulty et al.	.....	102/502
2006/0225334	A1 *	10/2006	Kapeles et al.	.....	42/1.08
2007/0019358	A1	1/2007	Kroll		
2007/0081292	A1	4/2007	Brundula		
2007/0287132	A1	12/2007	LaMons		

\* cited by examiner

*Primary Examiner*—Susan Moon Lee

(74) *Attorney, Agent, or Firm*—William R. Bachand

(57) **CLAIM**

The ornamental design for a cartridge for an electronic control device, as shown and described.

**DESCRIPTION**

FIG. 1 is a perspective view of a cartridge for an electronic control device, showing our novel design;

FIG. 2 is a left side elevation of the cartridge of FIG. 1 when the cartridge is turned front facing up, 90 degrees;

FIG. 3 is a top elevation of the cartridge of FIG. 1, when the cartridge is turned front facing up, 90 degrees;

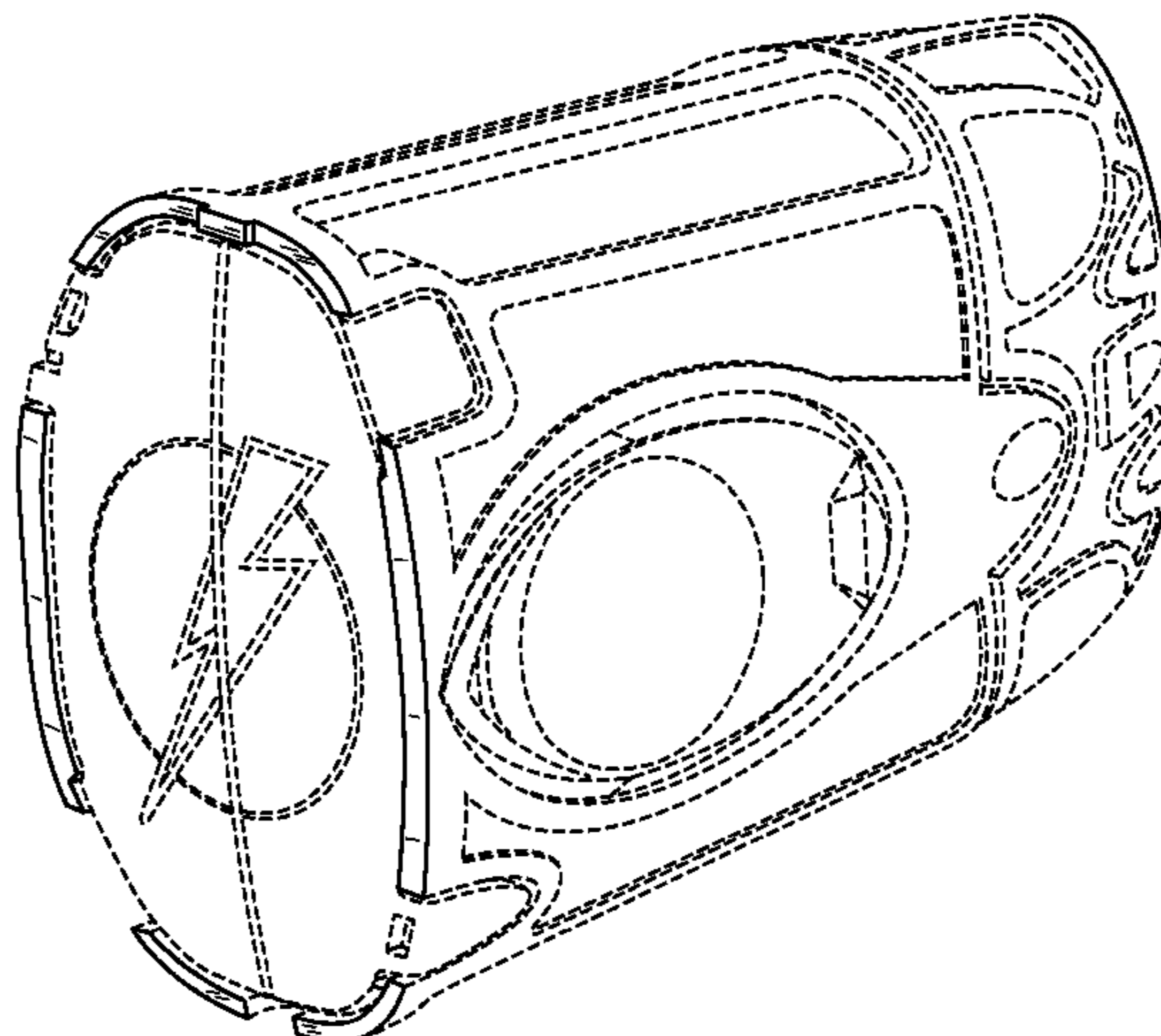
FIG. 4 is a front elevation of the cartridge of FIG. 1 when the left side is turned facing up, 90 degrees; and,

FIG. 5 is a rear elevation of the cartridge of FIG. 1, when oriented as in FIG. 4.

The broken lines in the drawing represent environmental structure only and form no part of the claimed design. The dash-dot oval indicates the extent of the surface being claimed. The dash-dot oval does not indicate a claimed feature of the structure. The dash-dot oval encloses unclaimed subject matter.

When the cartridge of FIG. 1 is rotated on its central axis 270 degrees to show the right side and turned front facing up, 90 degrees, the view of the right side is identical to FIG. 2. The unshown portions of the cartridge are not claimed.

**1 Claim, 4 Drawing Sheets**



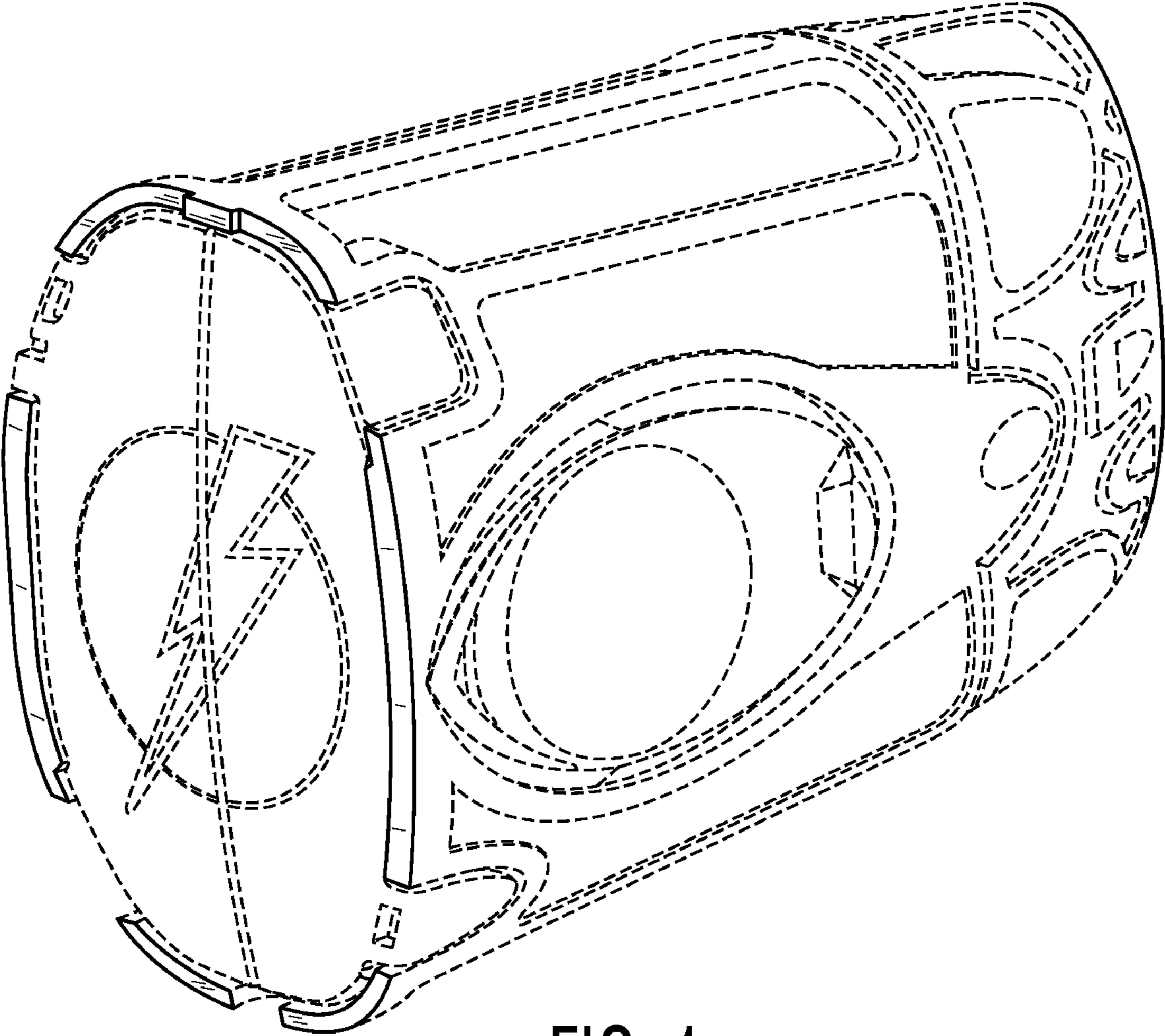


FIG. 1

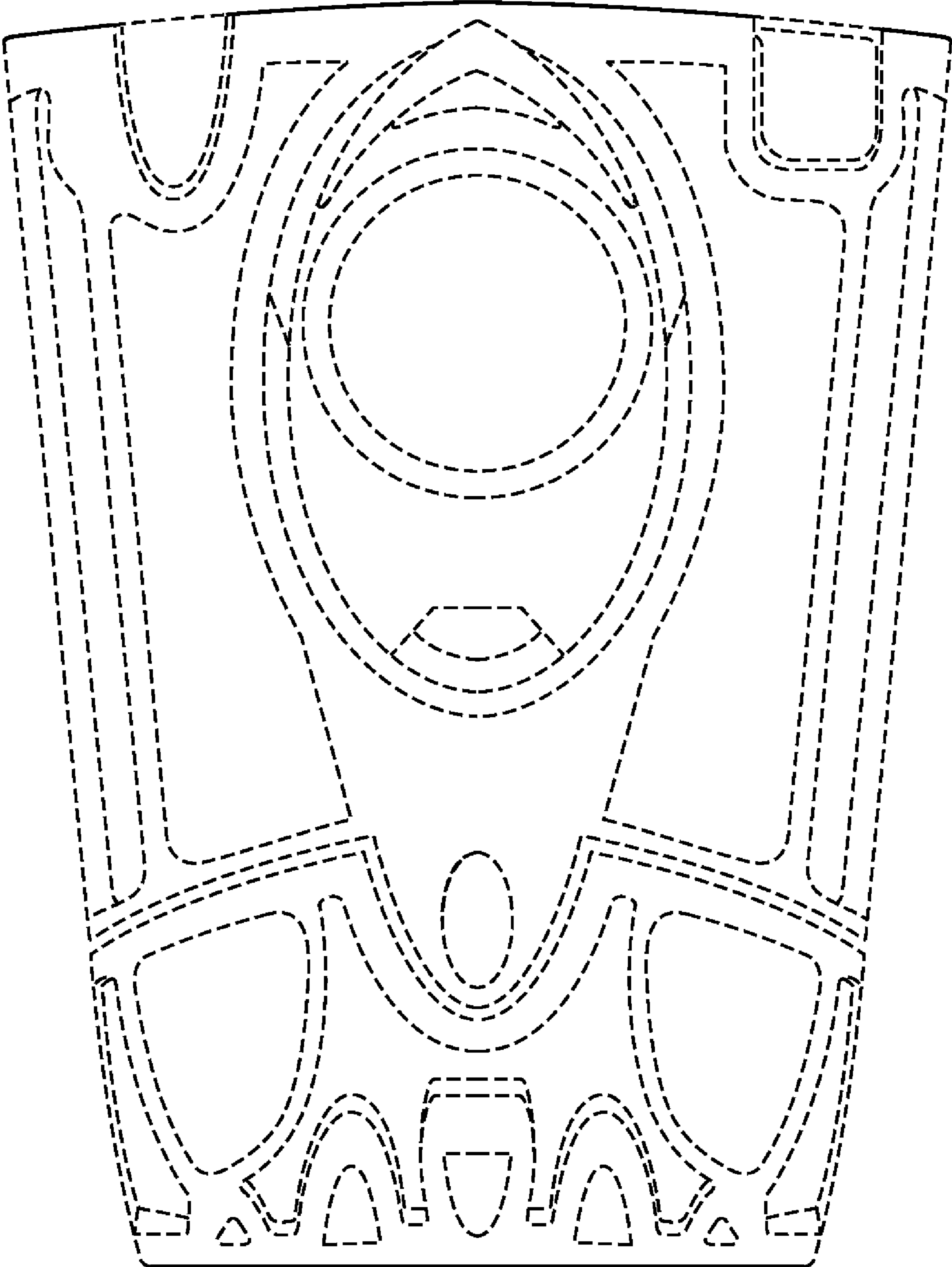


FIG. 2

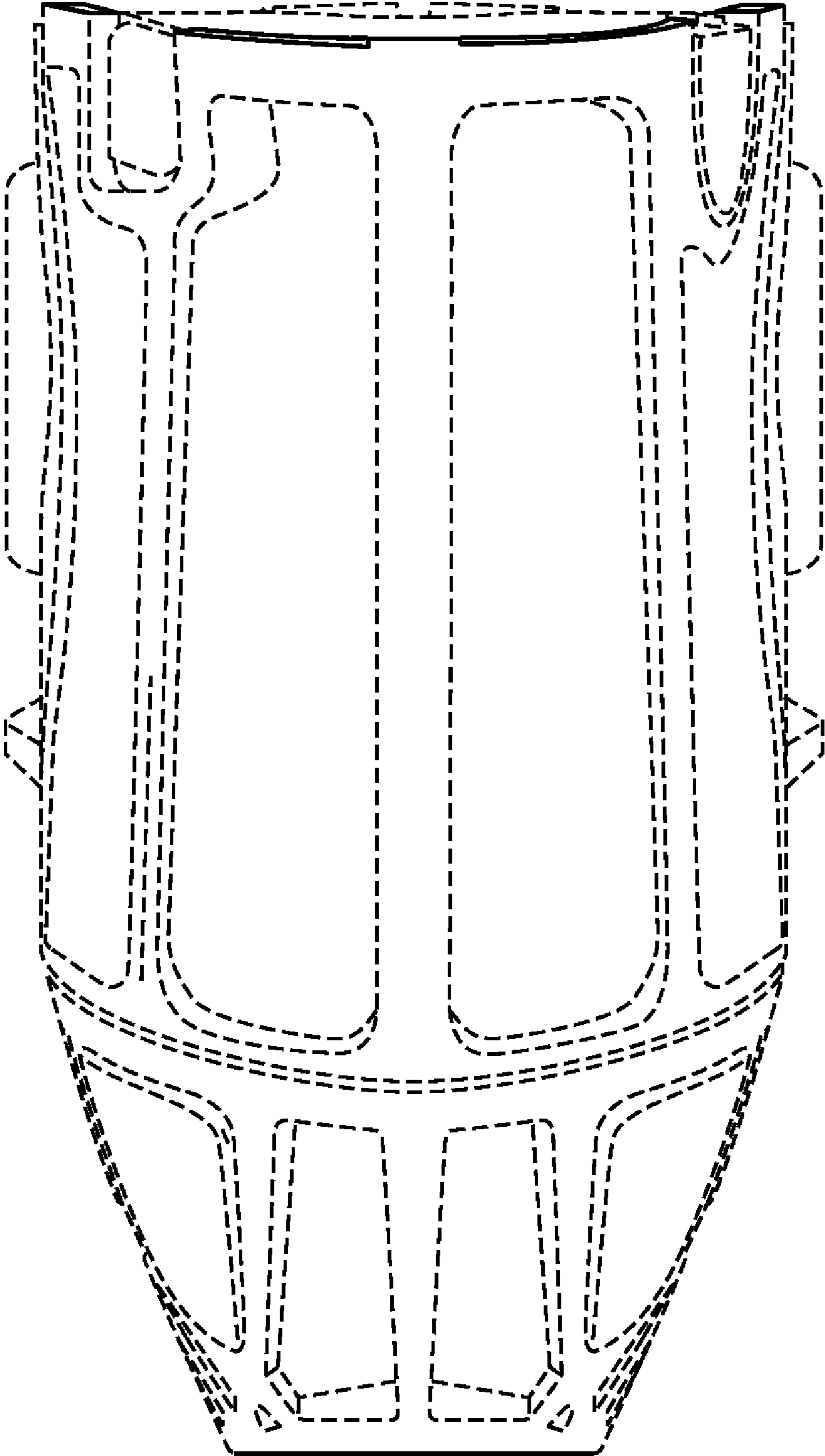


FIG. 3

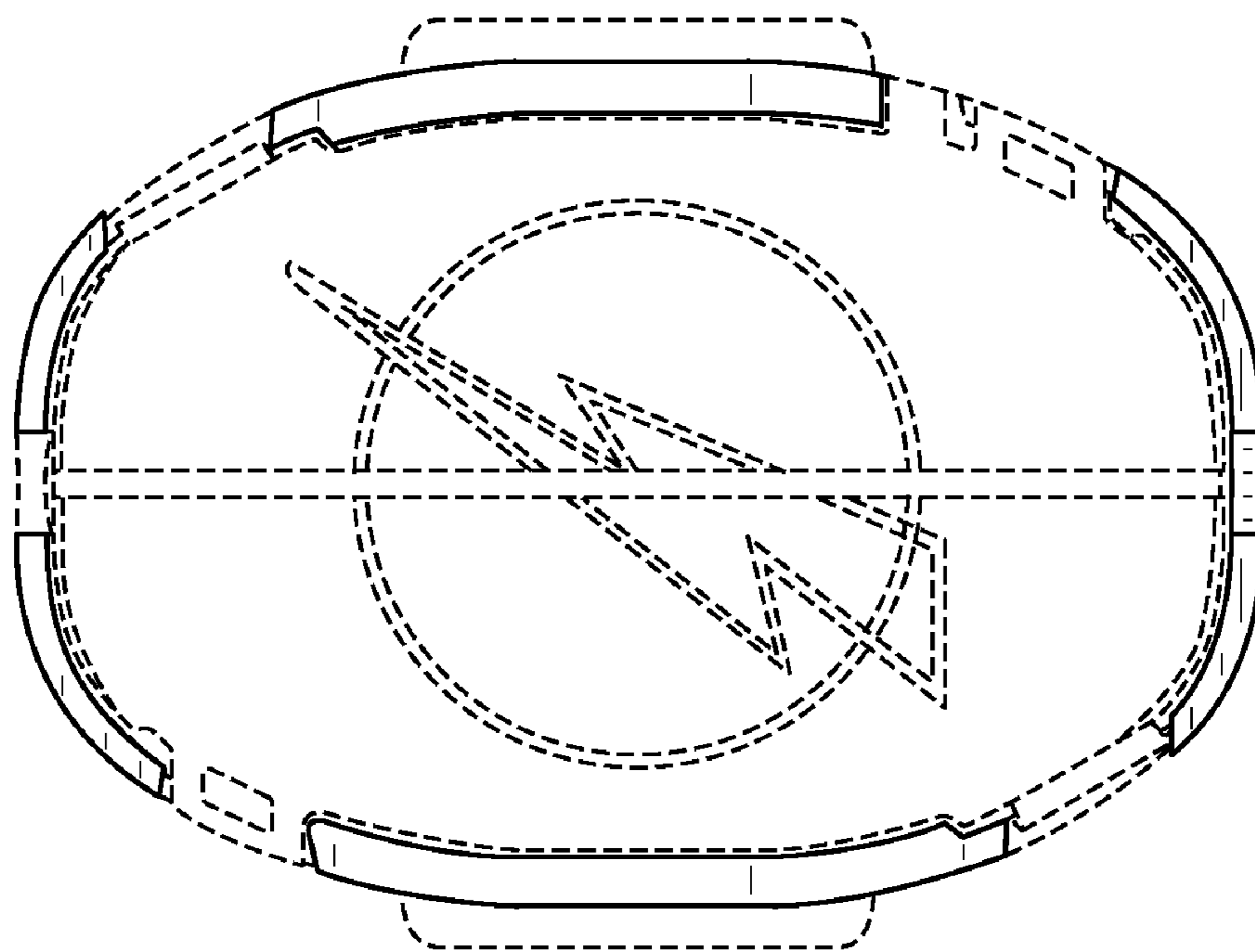


FIG. 4

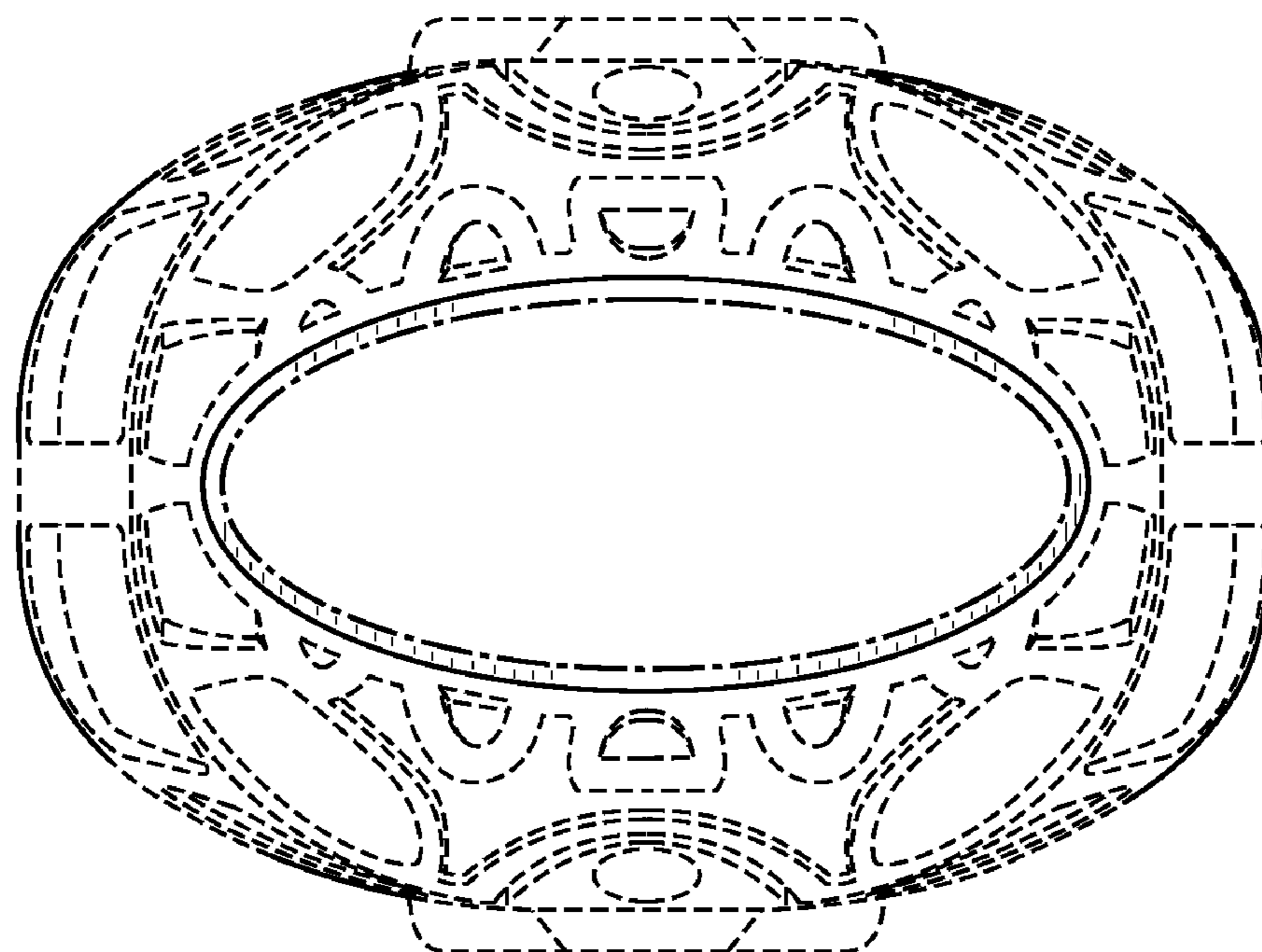


FIG. 5

UNITED STATES PATENT AND TRADEMARK OFFICE  
**CERTIFICATE OF CORRECTION**

PATENT NO. : D602,109 S  
APPLICATION NO. : 29/297339  
DATED : October 13, 2009  
INVENTOR(S) : Milan Cerovic et al.

Page 1 of 1

It is certified that error appears in the above-identified patent and that said Letters Patent is hereby corrected as shown below:

Title Pg, Item 57, under "Description", in column 2, line 18,  
after "right side" insert -- , --.

Signed and Sealed this  
Fourth Day of October, 2011

A handwritten signature in black ink that reads "David J. Kappos". The signature is written in a cursive style with a large initial 'D' and 'K'.

David J. Kappos  
*Director of the United States Patent and Trademark Office*