



US00D602102S

(12) **United States Design Patent**  
**Tapia**

(10) **Patent No.:** **US D602,102 S**  
(45) **Date of Patent:** **\*\* Oct. 13, 2009**

(54) **GOLF TEE CLIP**

FOREIGN PATENT DOCUMENTS

(76) Inventor: **Victor Tapia**, 6780 SW. 185 Way, South West Ranches, FL (US) 33332

GB 2103493 A \* 2/1983  
WO WO 9406520 A1 \* 3/1994  
WO WO 2005056126 A1 \* 6/2005

(\*\*) Term: **14 Years**

\* cited by examiner

(21) Appl. No.: **29/328,350**

*Primary Examiner*—Catherine Tuttle  
(74) *Attorney, Agent, or Firm*—Ruben Alcoba

(22) Filed: **Nov. 21, 2008**

(51) **LOC (9) Cl.** ..... **21-02**

(52) **U.S. Cl.** ..... **D21/717; D21/789**

(58) **Field of Classification Search** ..... D21/715–721,  
D21/789–796; 473/132–137, 387–407  
See application file for complete search history.

(57) **CLAIM**

I claim the ornamental design for a golf tee clip, as shown and described.

**DESCRIPTION**

(56) **References Cited**

U.S. PATENT DOCUMENTS

1,595,130	A *	8/1926	Wilcox	473/392
1,761,532	A *	6/1930	Morris	473/218
D82,059	S *	9/1930	Sargent	D21/718
2,165,479	A *	7/1939	Hallberg	473/257
D181,338	S *	11/1957	Beckwith	D21/718
3,347,551	A *	10/1967	Dreyfus	473/257
D268,356	S *	3/1983	Brisebois	D21/718
5,437,448	A *	8/1995	Balson	473/257
D376,182	S *	12/1996	Lusk	D21/718
D385,939	S *	11/1997	Suk	D21/794
6,494,796	B2 *	12/2002	Echaves	473/393
D490,133	S *	5/2004	Hadala	D21/791
D491,990	S *	6/2004	Lu	D21/717

FIG. 1 is a perspective view of a golf tee clip showing my new design;

FIG. 2 is a front elevation view thereof; the rear elevation view being the same as the front elevation view;

FIG. 3 is top plan view thereof;

FIG. 4 is a bottom plan view thereof;

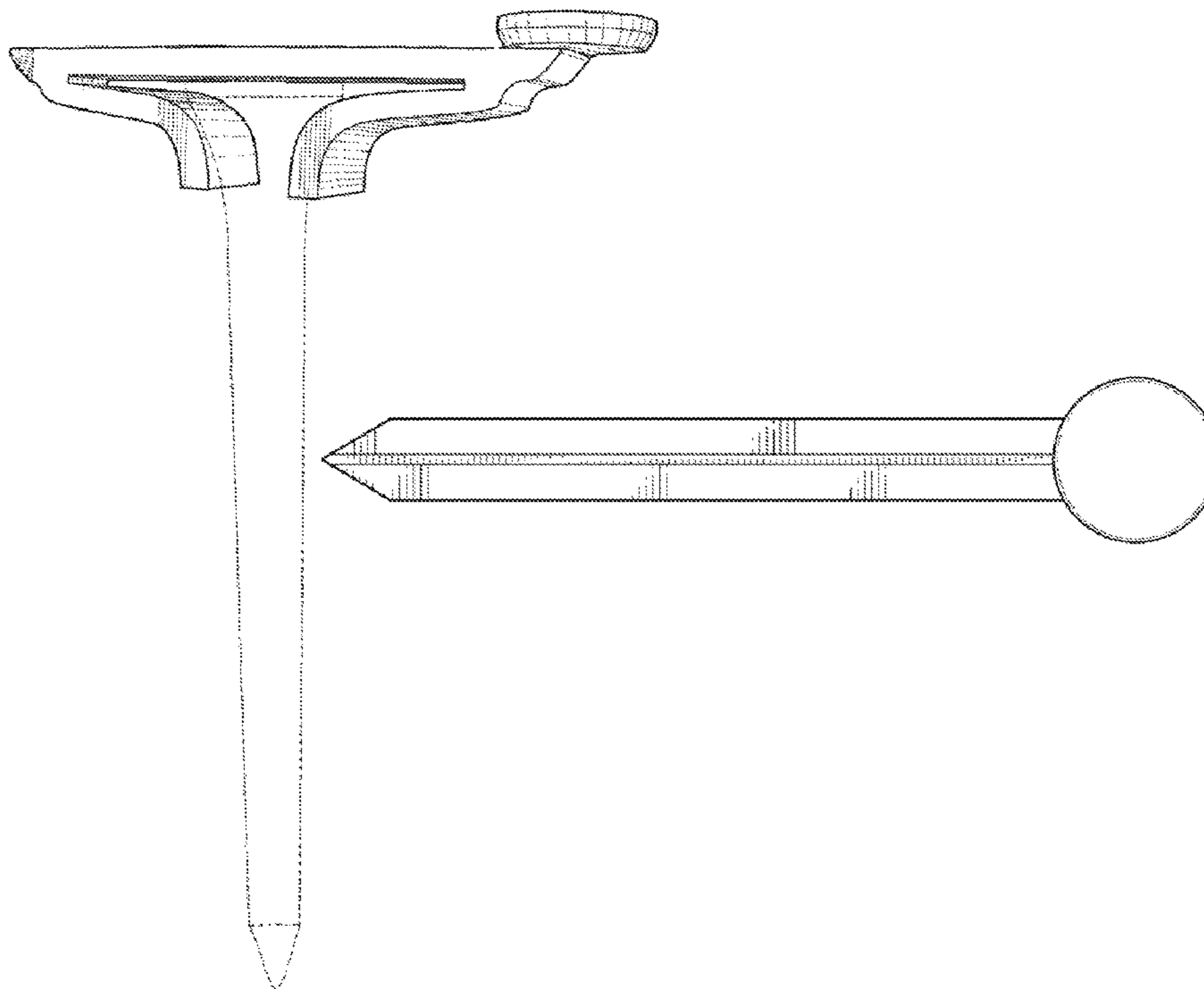
FIG. 5 is a right side elevation view thereof; and,

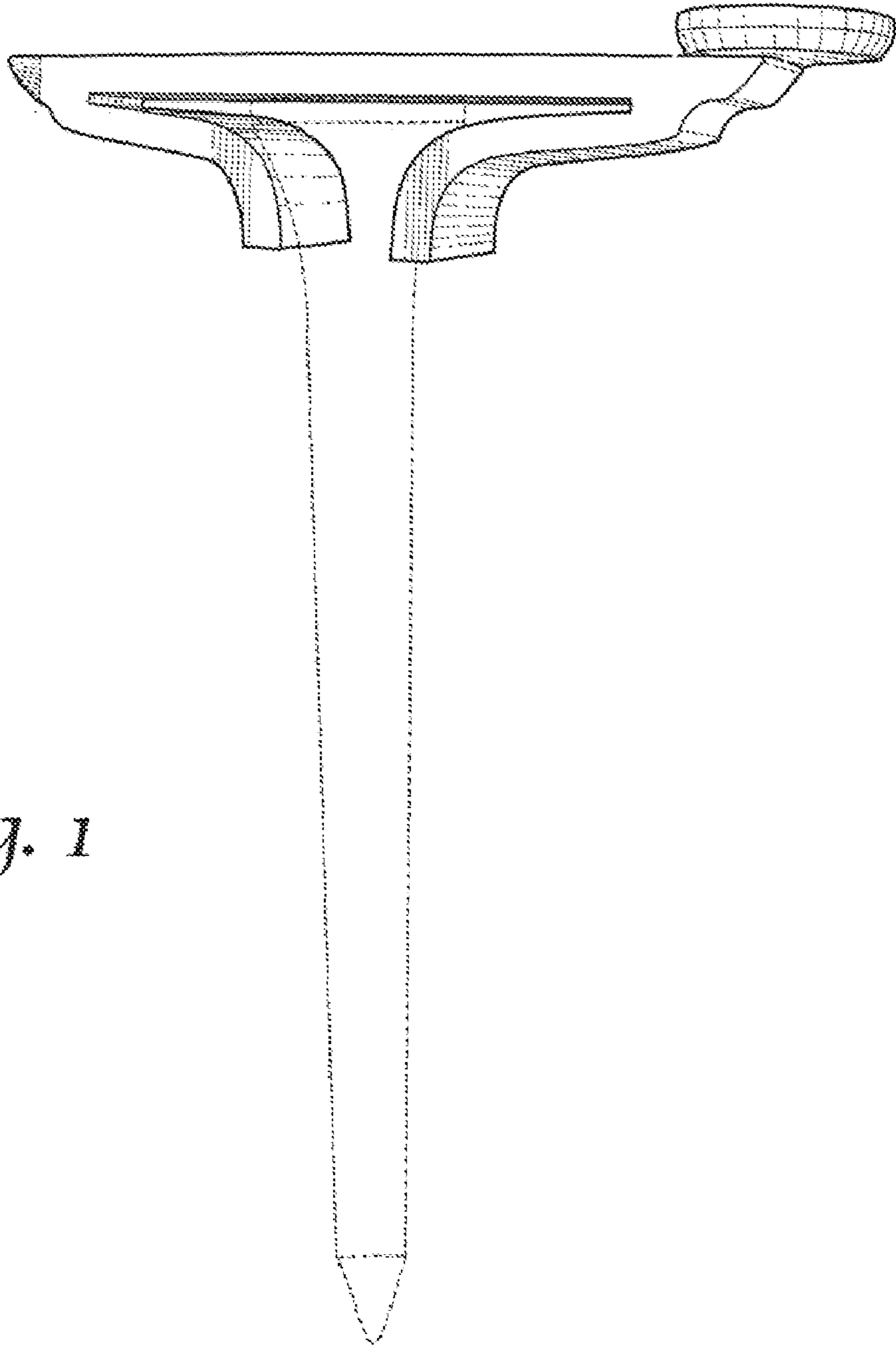
FIG. 6 is a left side elevation view thereof.

The broken lines shown in FIG. 1 are included for the purpose of illustrating an associated golf tee that forms no part of the claimed design.

The appearance within the unshaded area of FIG. 3 forms no part of the claimed design.

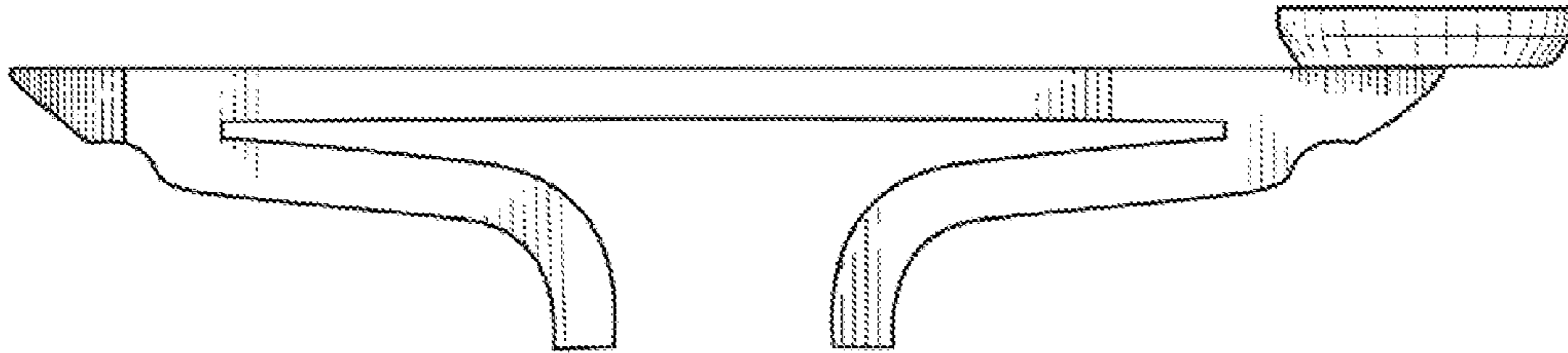
**1 Claim, 2 Drawing Sheets**



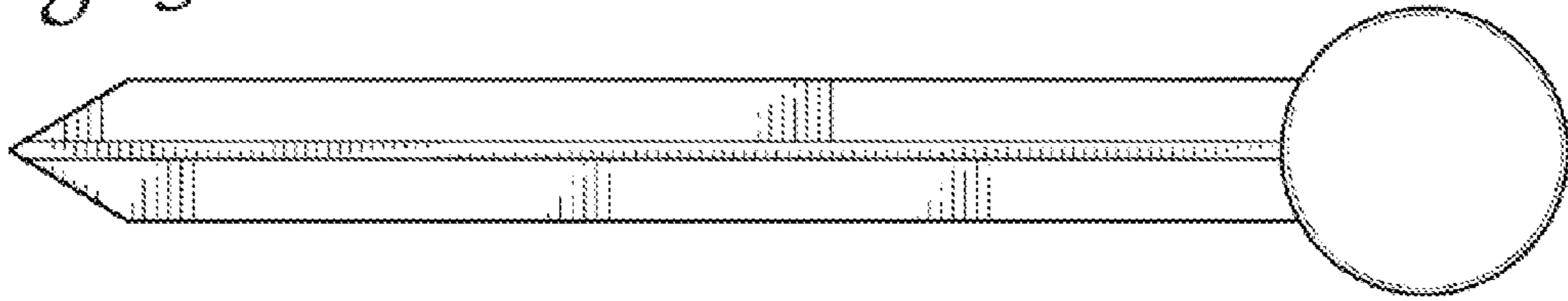


*Fig. 1*

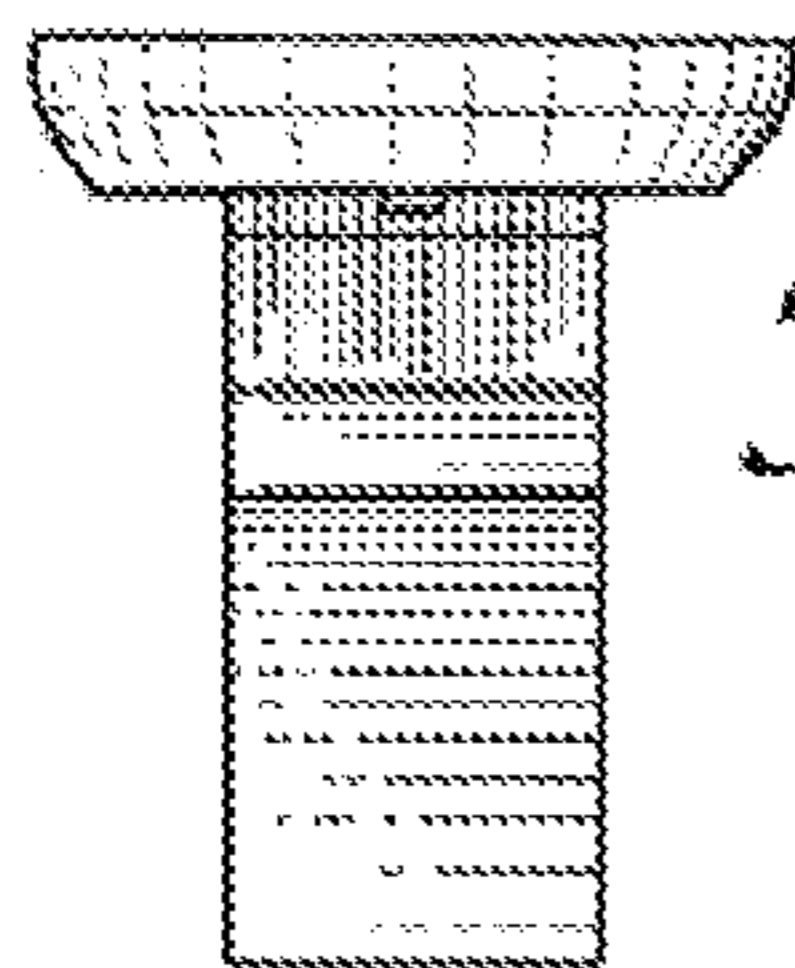
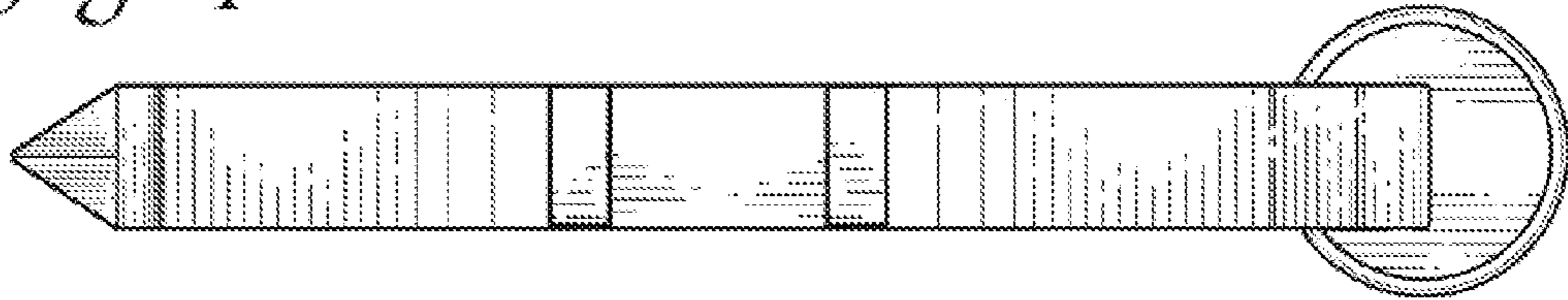
*Fig. 2*



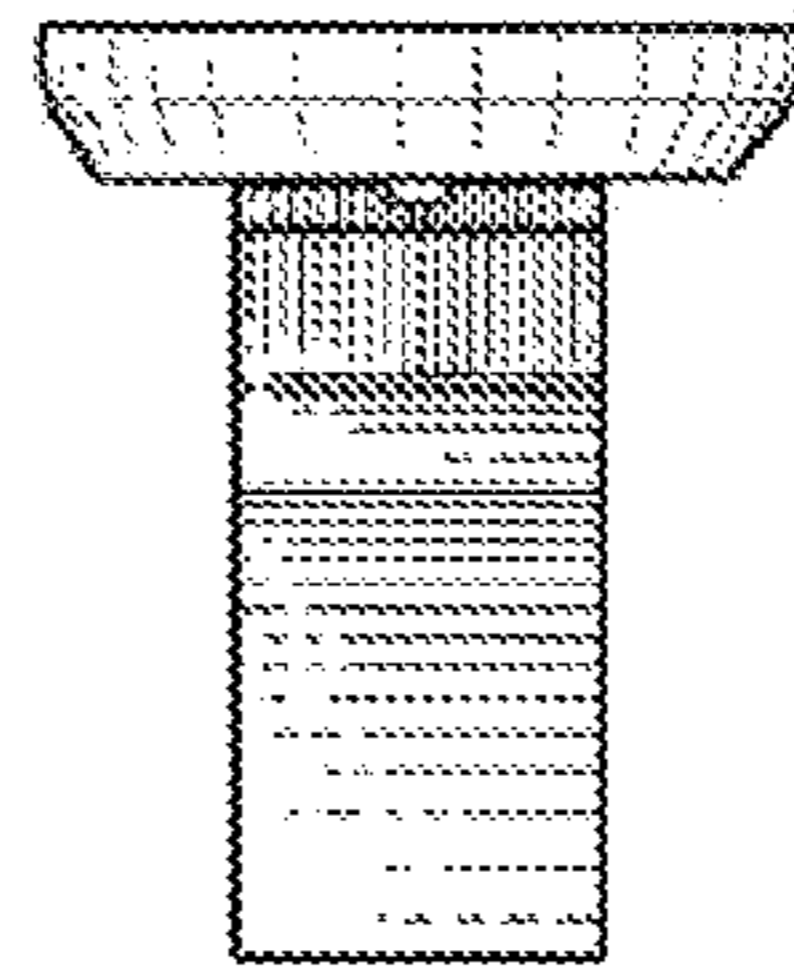
*Fig. 3*



*Fig. 4*



*Fig. 5*



*Fig. 6*