



US00D602095S

(12) **United States Design Patent**
Fujino et al.

(10) **Patent No.:** **US D602,095 S**
(45) **Date of Patent:** **** Oct. 13, 2009**

(54) **CAMERA FOR AN ELECTRONIC GAME CARTRIDGE**

(75) Inventors: **Takaki Fujino**, Kyoto (JP); **Hiroki Goto**, Kyoto (JP)

(73) Assignee: **Nintendo, Co., Ltd.**, Kyoto (JP)

(**) Term: **14 Years**

(21) Appl. No.: **29/287,722**

(22) Filed: **Sep. 12, 2007**

(30) **Foreign Application Priority Data**

Mar. 12, 2007 (JP) 2007-006294
Mar. 12, 2007 (JP) 2007-006295

(51) **LOC (9) Cl.** **21-01**

(52) **U.S. Cl.** **D21/332; D14/436**

(58) **Field of Classification Search** D21/332,
D21/333, 324; D14/400, 401, 432-435,
D14/496; 273/148 B; 463/1, 29-35, 43-47
See application file for complete search history.

(56) **References Cited**

U.S. PATENT DOCUMENTS

D343,833 S 2/1994 Barr et al.
D365,556 S 12/1995 Inoue et al.
D377,488 S 1/1997 Ashida
5,653,638 A * 8/1997 Nagata 463/44
5,809,520 A * 9/1998 Edwards et al. 711/115
5,926,438 A * 7/1999 Saito 367/111
D427,245 S 6/2000 Nagata et al.
6,238,291 B1 * 5/2001 Fujimoto et al. 463/44
D449,078 S * 10/2001 Fujita D21/332
D452,281 S * 12/2001 Ohno D21/332

6,383,079 B1 * 5/2002 Takeda et al. 463/43
D468,743 S 1/2003 Kawanobe et al.
D480,764 S 10/2003 Inoue et al.
D534,169 S * 12/2006 Nakamura et al. D14/435
D539,355 S * 3/2007 Fujita D21/332
D550,775 S * 9/2007 Fujita D21/332
D568,884 S * 5/2008 Kawanobe et al. D14/401

* cited by examiner

Primary Examiner—Prabhakar Deshmukh

(74) *Attorney, Agent, or Firm*—Nixon & Vanderhye, P.C.

(57) **CLAIM**

The ornamental design for a camera for an electronic game cartridge, as shown and described.

DESCRIPTION

FIG. 1 is a front, left and bottom perspective view of a camera for an electronic game cartridge, showing our new design with the cartridge represented by dotted lines;

FIG. 2 is a rear, right and top perspective view thereof;

FIG. 3 is a front elevational view thereof;

FIG. 4 is a rear elevational view thereof;

FIG. 5 is a top plan view thereof;

FIG. 6 is a bottom plan view thereof;

FIG. 7 is a right side elevational view thereof;

FIG. 8 is a left side elevational view thereof; and,

FIG. 9 is a front, top and left side perspective view thereof with the camera shown in extended position and the article shown in an environmental use.

The broken lines in the various Figures are for illustration purpose only and form no part of the claimed design.

1 Claim, 4 Drawing Sheets

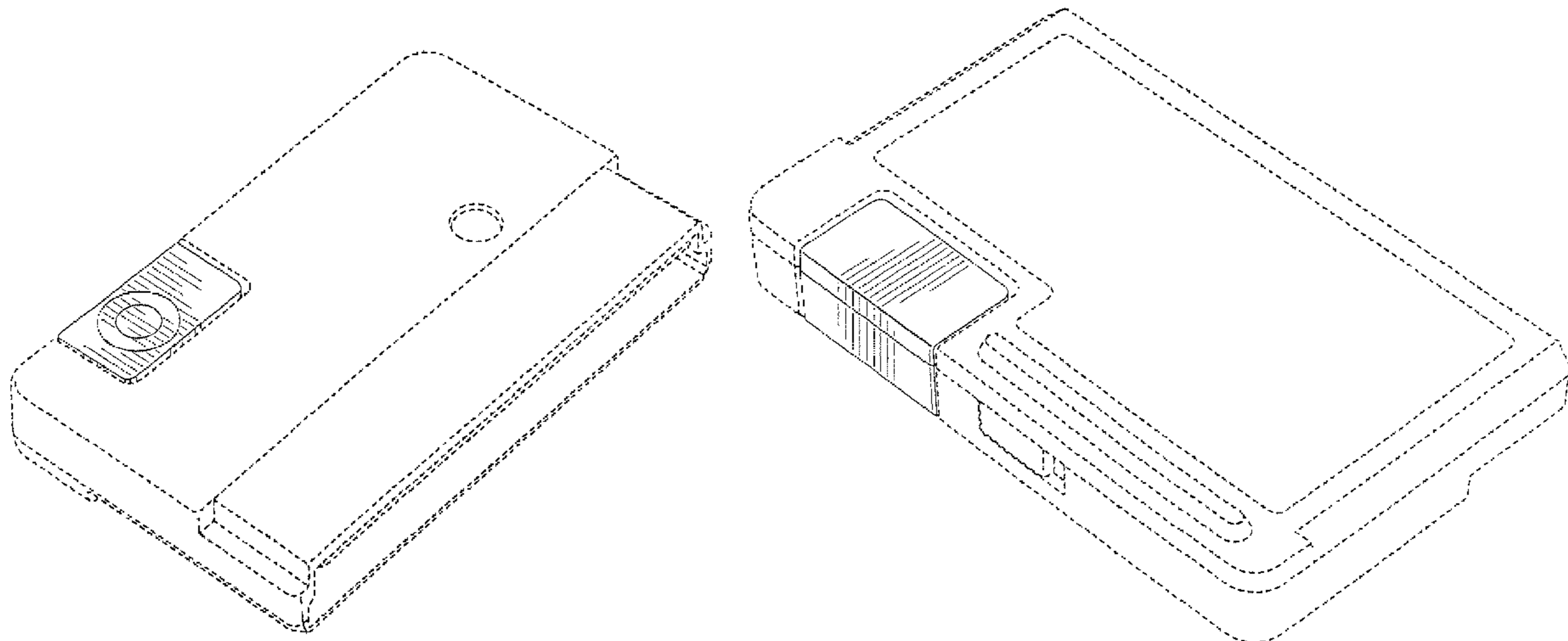


FIG. 1

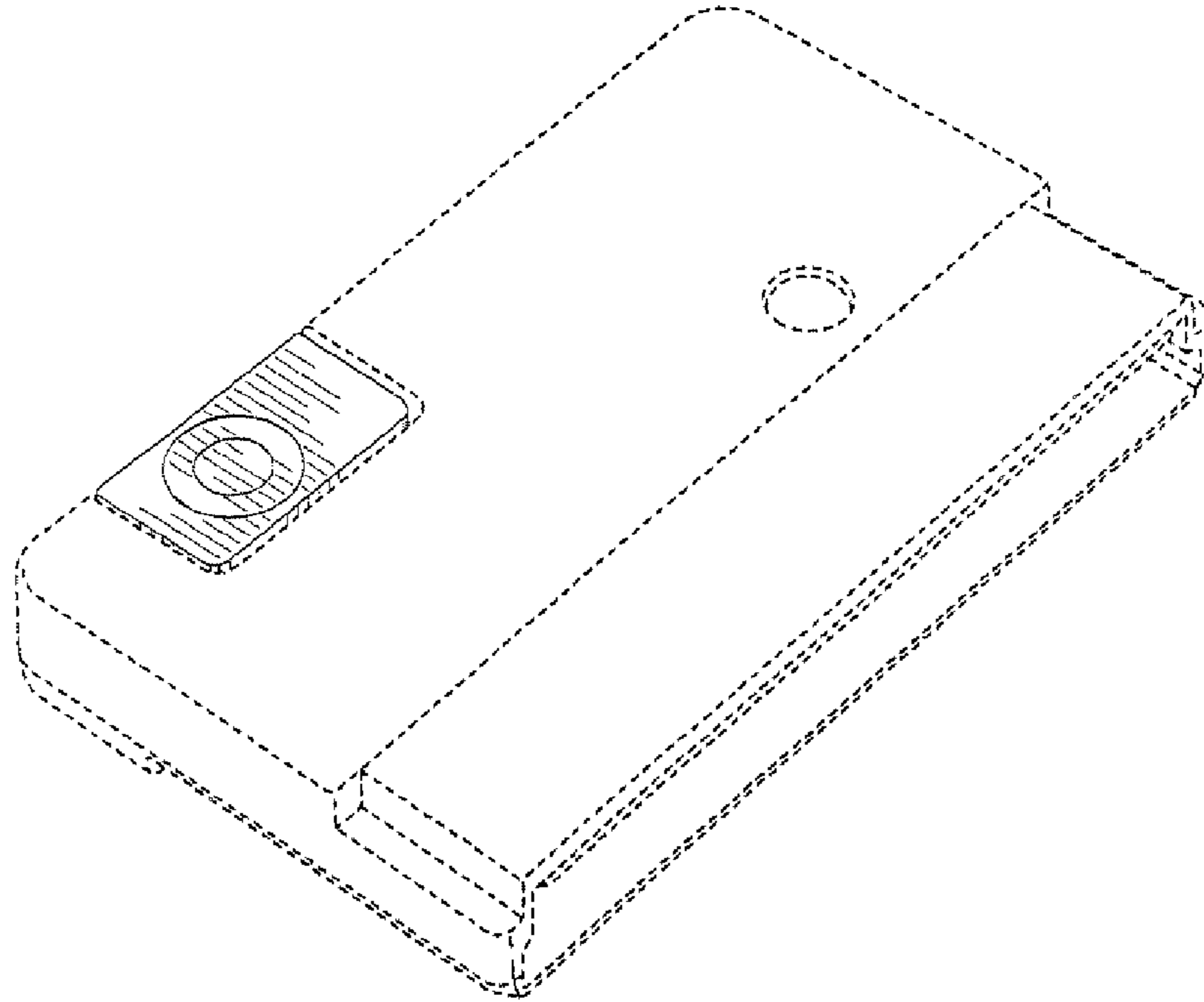


FIG. 2

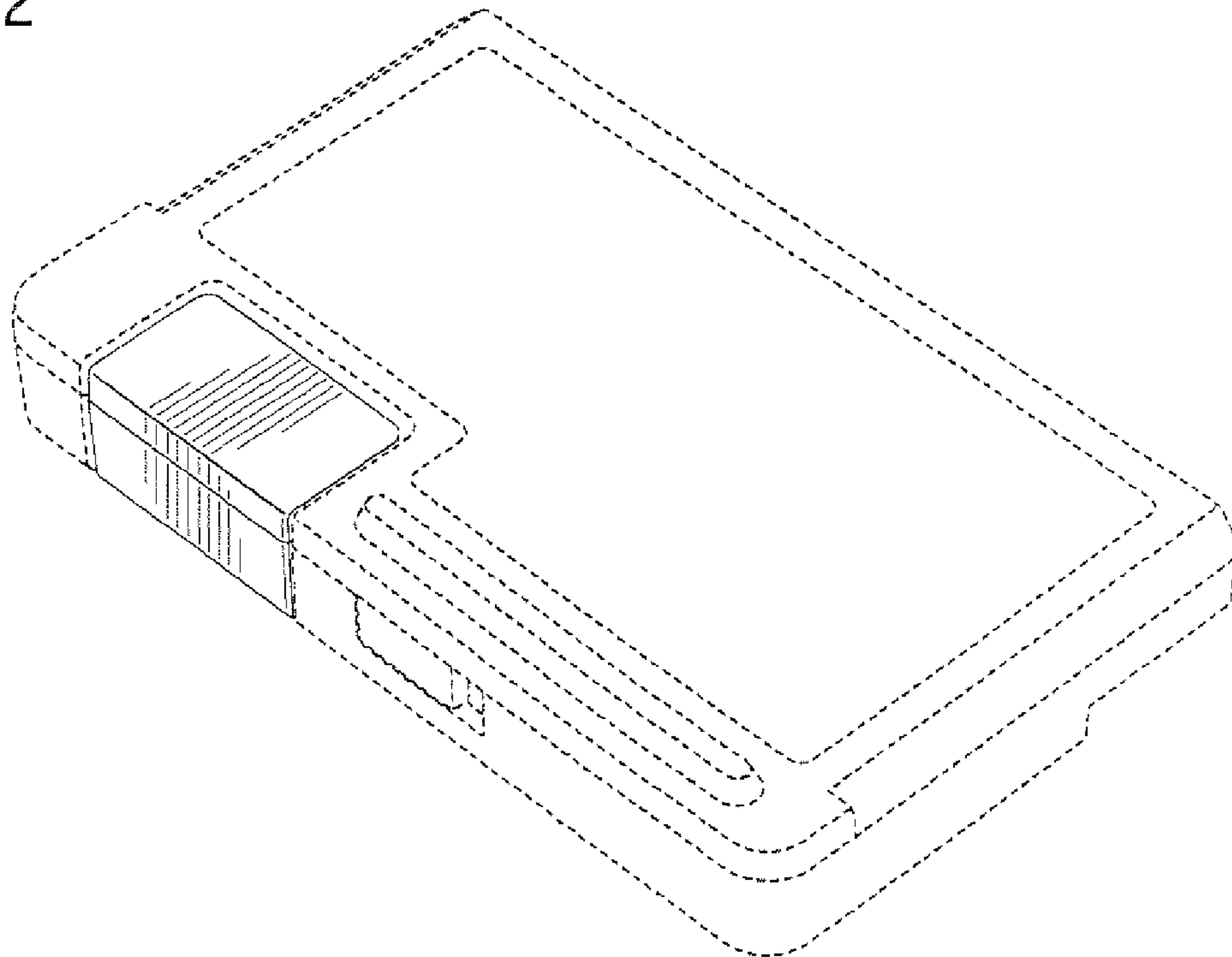


FIG. 3

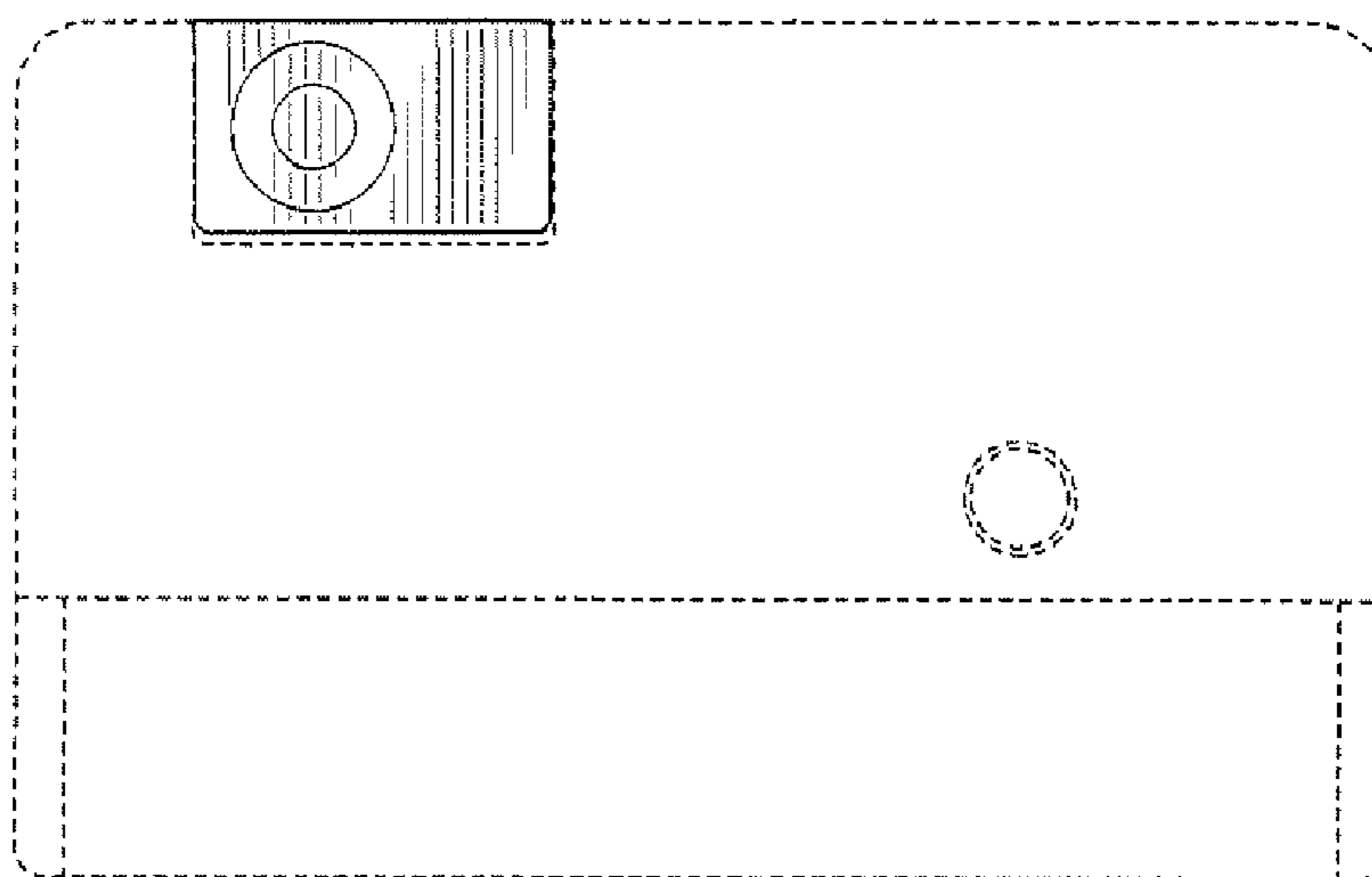


FIG. 4

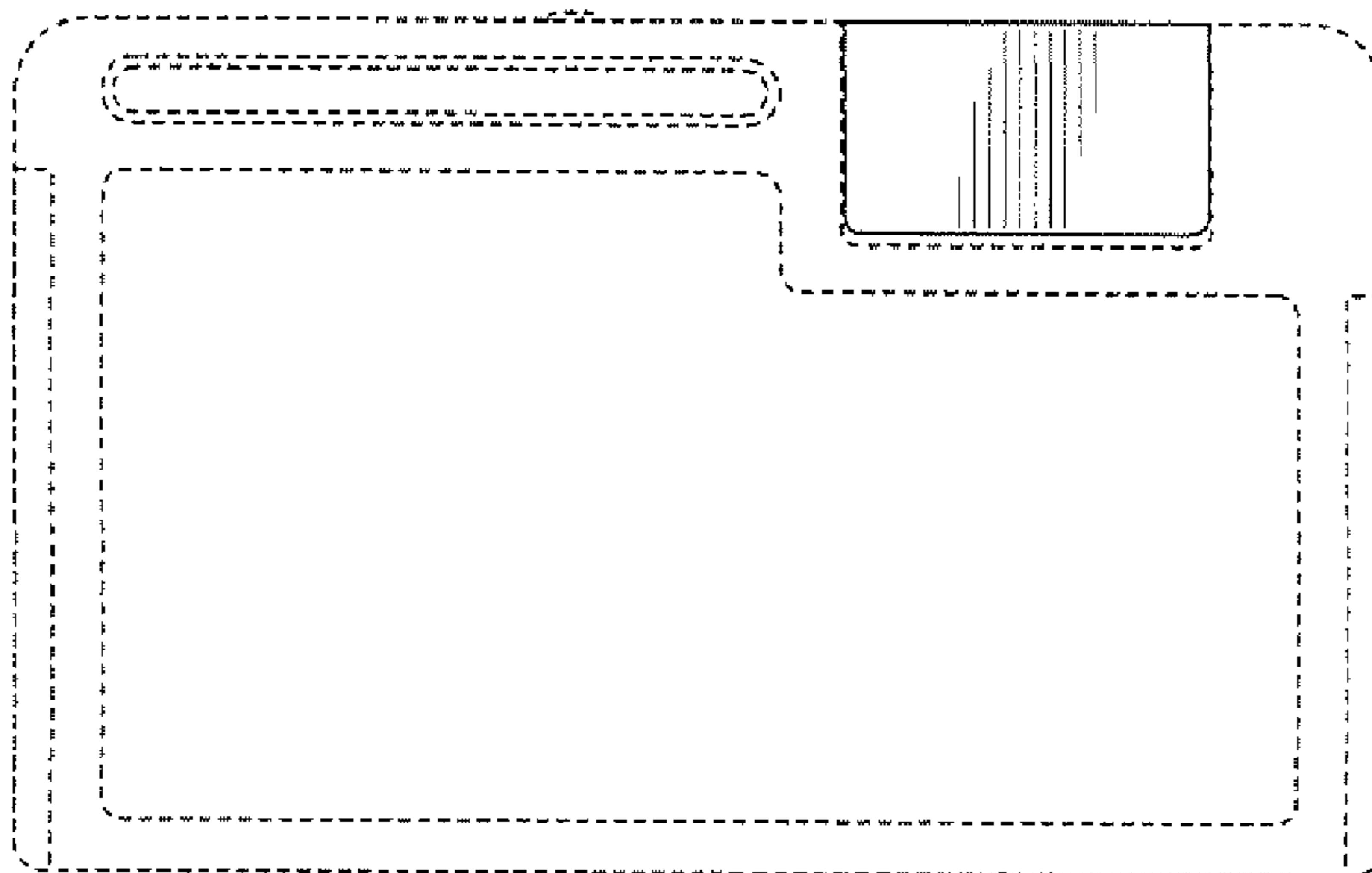


FIG. 5

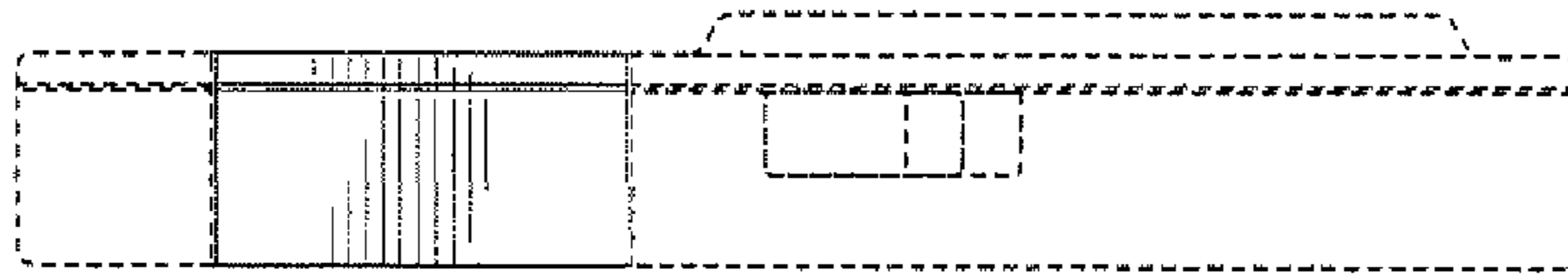


FIG. 6

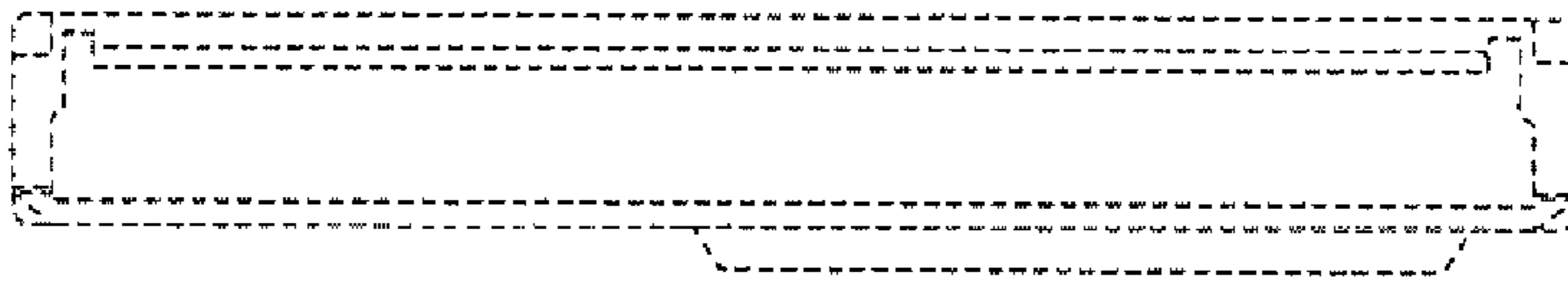


FIG. 7

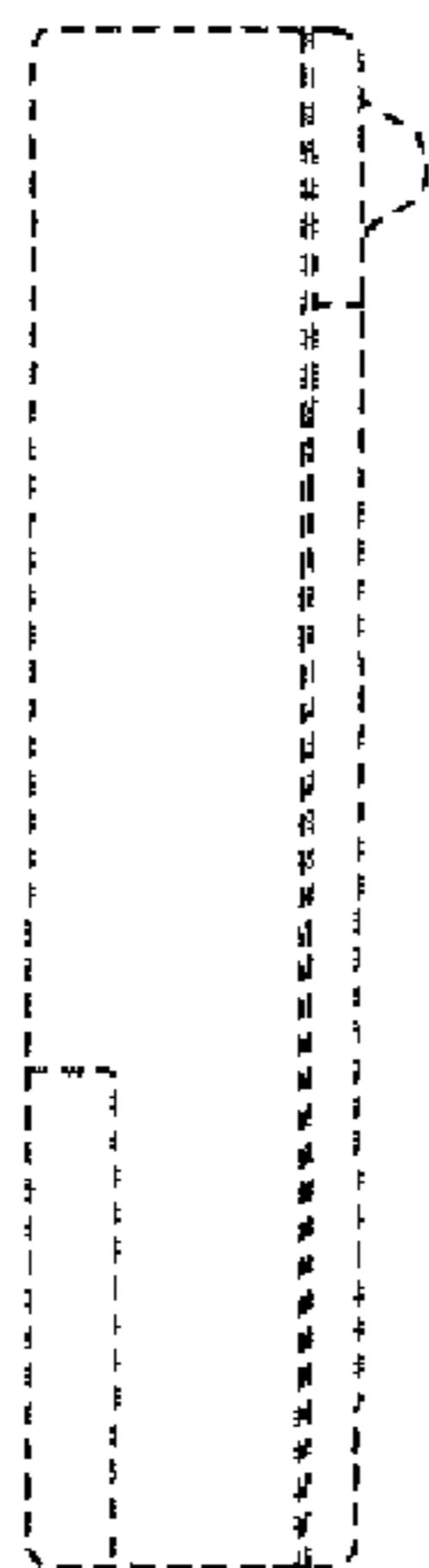


FIG. 8

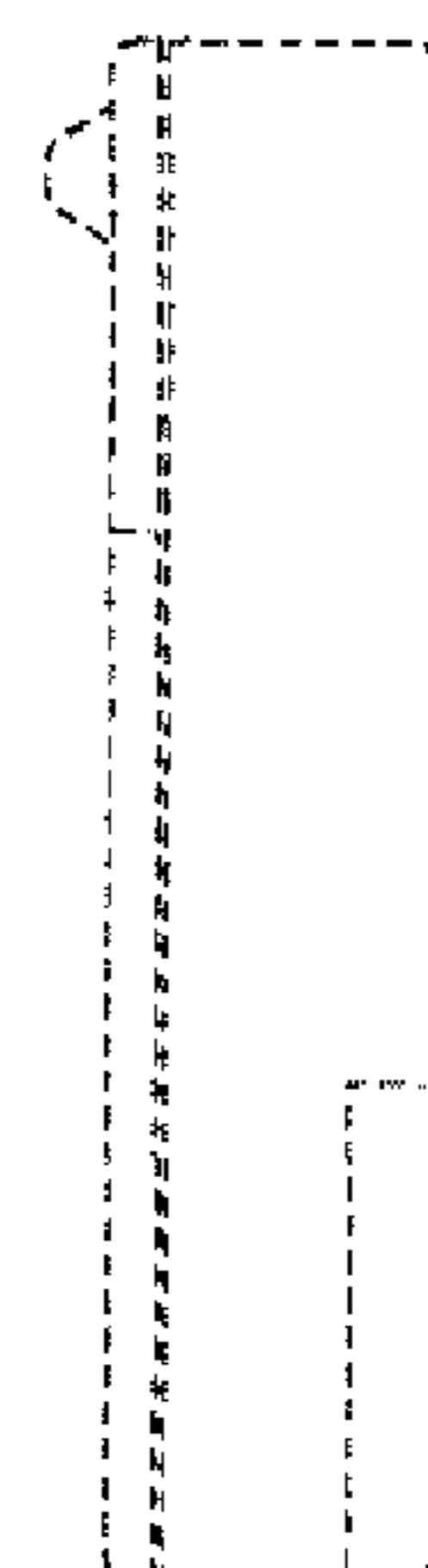


FIG. 9

