



US00D602094S

(12) **United States Design Patent**
Nowatzke

(10) **Patent No.:** **US D602,094 S**
(45) **Date of Patent:** **** Oct. 13, 2009**

(54) **WIRE SIGN HOLDER**

(75) Inventor: **David J. Nowatzke**, Kearney, MO (US)

(73) Assignee: **Hallmark Cards, Incorporated**, Kansas City, MO (US)

(**) Term: **14 Years**

(21) Appl. No.: **29/305,010**

(22) Filed: **Mar. 11, 2008**

(51) **LOC (9) Cl.** **20-02**

(52) **U.S. Cl.** **D20/43; D8/370**

(58) **Field of Classification Search** D20/10,
D20/17, 19, 21, 41-43, 99; 40/124.5, 584,
40/642.04, 658-660, 661.05, 662, 664, 666,
40/667; D6/462; D8/349, 367, 368, 370;
52/719; 141/390; 248/121, 175, 205.1, 215,
248/251, 303, 304, 339, 453, 610

See application file for complete search history.

(56) **References Cited**

U.S. PATENT DOCUMENTS

| | | | | | |
|-----------|-----|---------|----------|-------|----------|
| 844,901 | A * | 2/1907 | Smith | | 248/453 |
| 1,498,595 | A * | 6/1924 | Wedmore | | 52/719 |
| D67,301 | S * | 5/1925 | Pearson | | D6/462 |
| 1,574,621 | A * | 2/1926 | Good | | 40/124.5 |
| 1,859,439 | A * | 5/1932 | Glidden | | 40/660 |
| 2,130,945 | A * | 9/1938 | Brownell | | 40/659 |
| 2,141,342 | A * | 12/1938 | Brownell | | 40/658 |
| 2,975,999 | A * | 3/1961 | Bunch | | 248/121 |
| 3,240,463 | A * | 3/1966 | Cook | | 248/339 |

| | | | | | |
|--------------|------|---------|-----------------|-------|---------|
| D247,265 | S * | 2/1978 | Ledebuhr | | D20/43 |
| 4,175,602 | A * | 11/1979 | Cavalari et al. | | 141/390 |
| D267,445 | S * | 1/1983 | Watson | | D6/462 |
| D422,642 | S * | 4/2000 | Pugliese | | D20/43 |
| D563,775 | S * | 3/2008 | Marconi | | D8/370 |
| 2008/0054139 | A1 * | 3/2008 | Fabbri | | 248/215 |

* cited by examiner

Primary Examiner—Janice E Seeger

Assistant Examiner—Mary Ann Calabrese

(74) *Attorney, Agent, or Firm*—Shook, Hardy & Bacon L.L.P.

(57) **CLAIM**

The ornamental design for a wire sign holder, as shown and described.

DESCRIPTION

FIG. 1 is a top perspective view of a wire sign holder of the present invention;

FIG. 2 is a left side elevational view thereof;

FIG. 3 is a bottom plan view thereof;

FIG. 4 is a top plan view thereof;

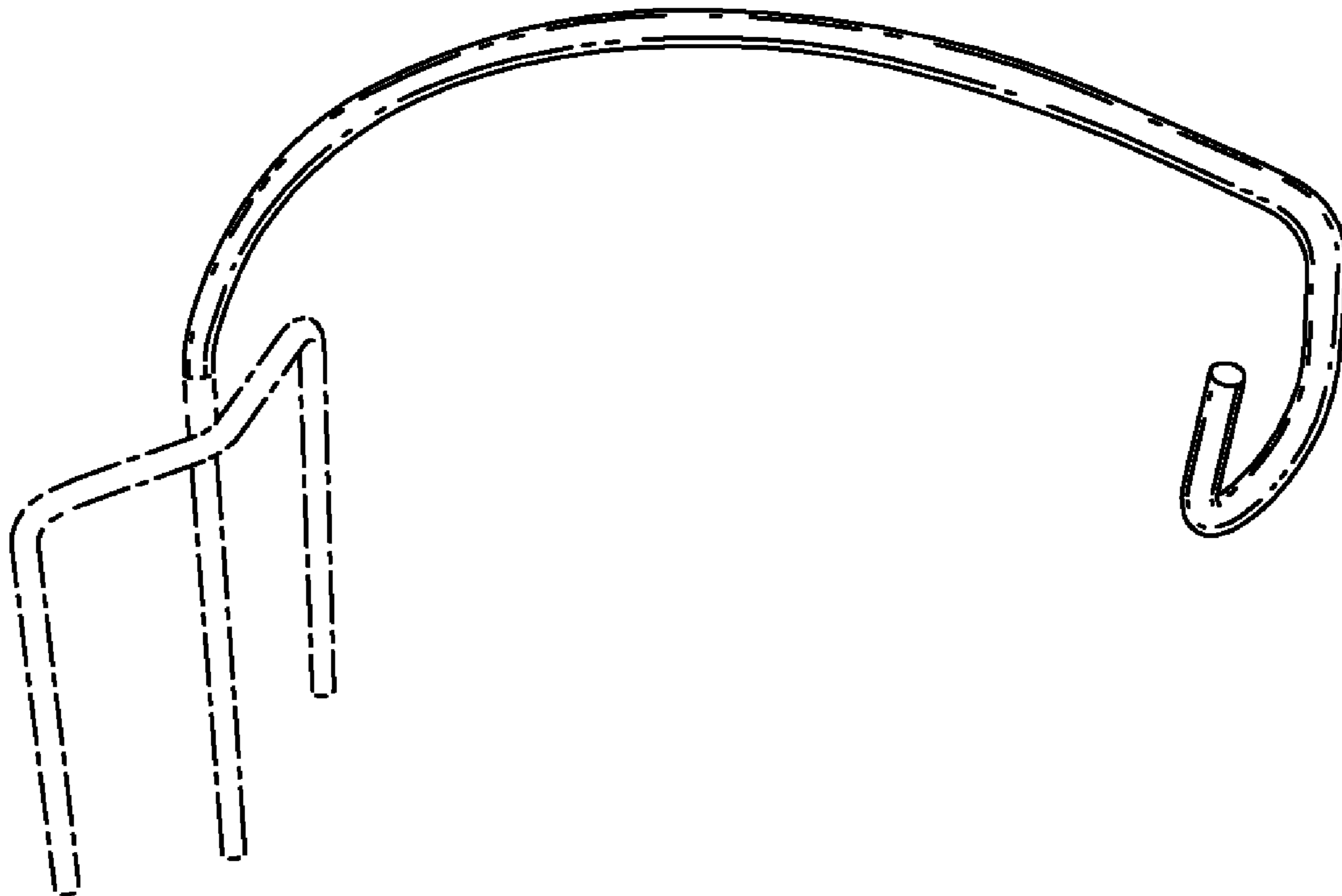
FIG. 5 is a front side elevational view thereof;

FIG. 6 is a back side elevational view thereof; and,

FIG. 7 is right side elevational view thereof.

The long and short broken lines shown in the drawings are directed to environment, are for informational purposes only and form no part of the claimed design.

1 Claim, 2 Drawing Sheets



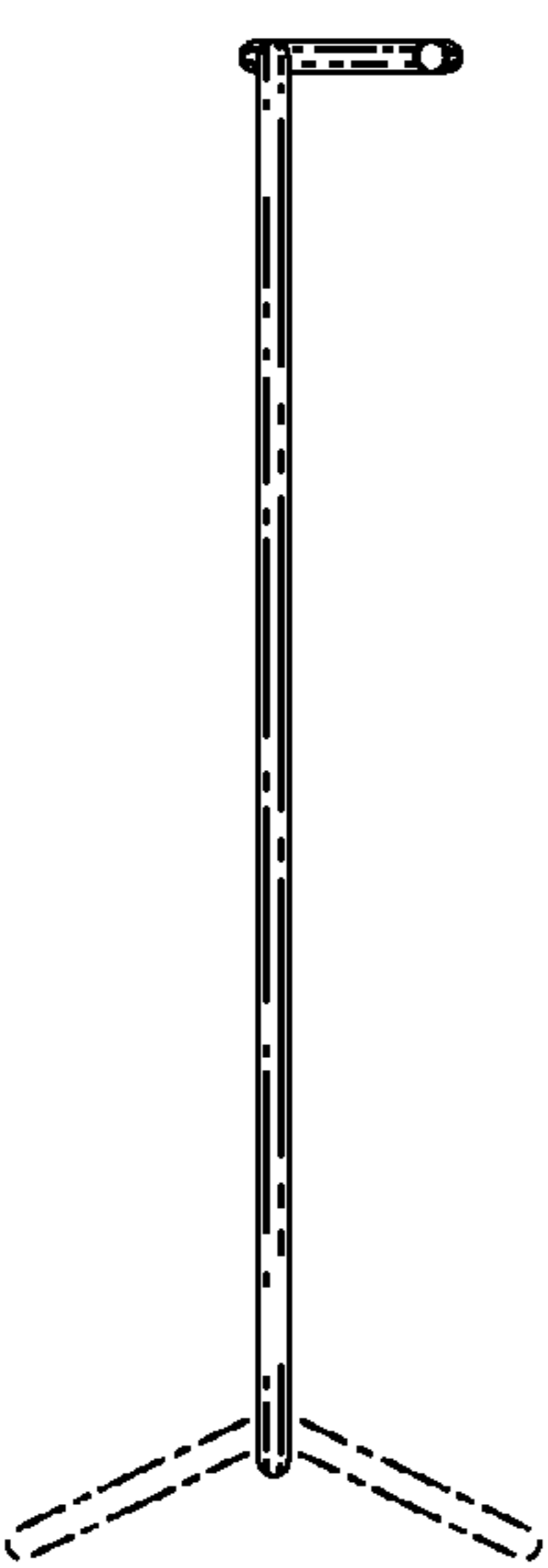


FIG. 4.

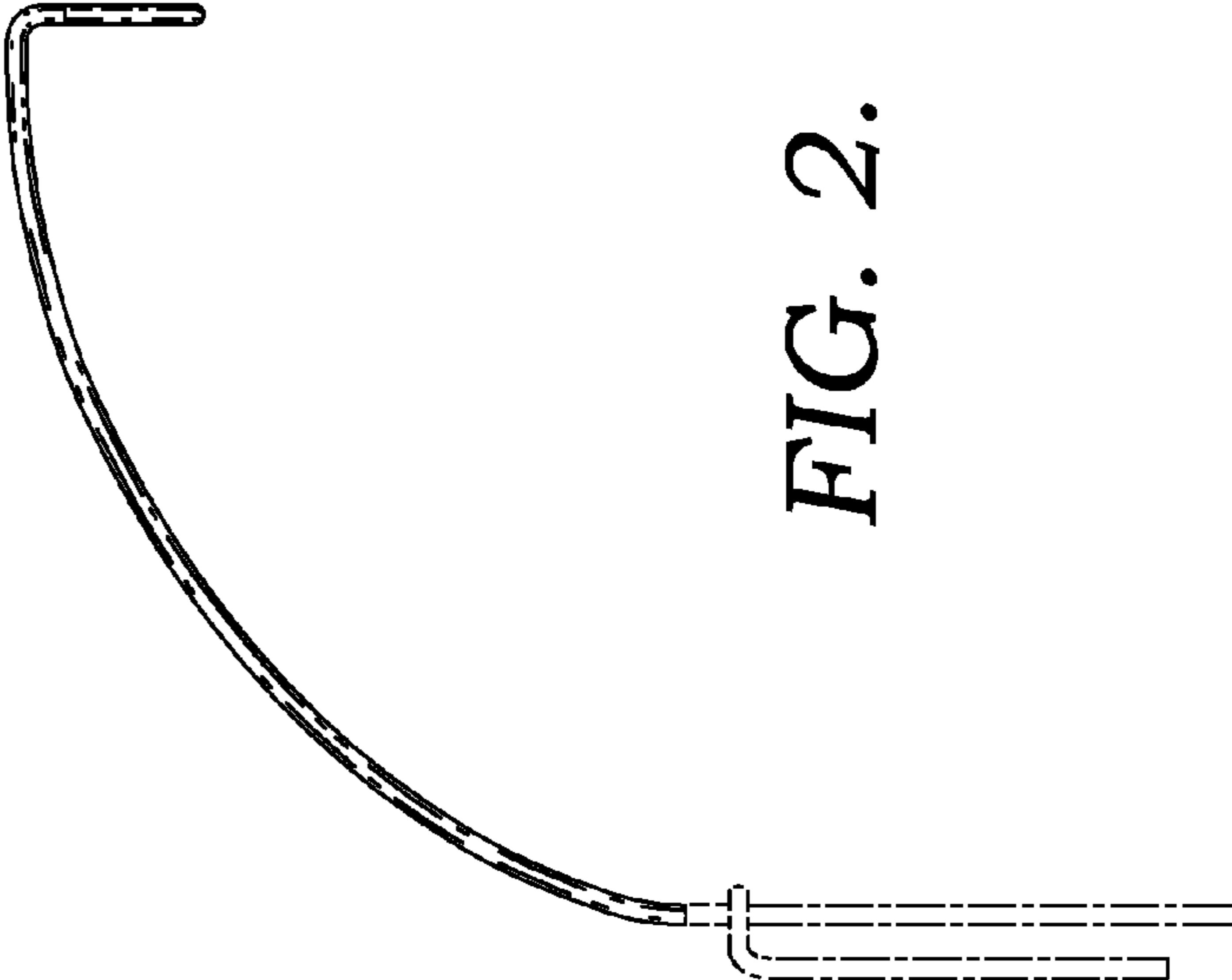


FIG. 2.

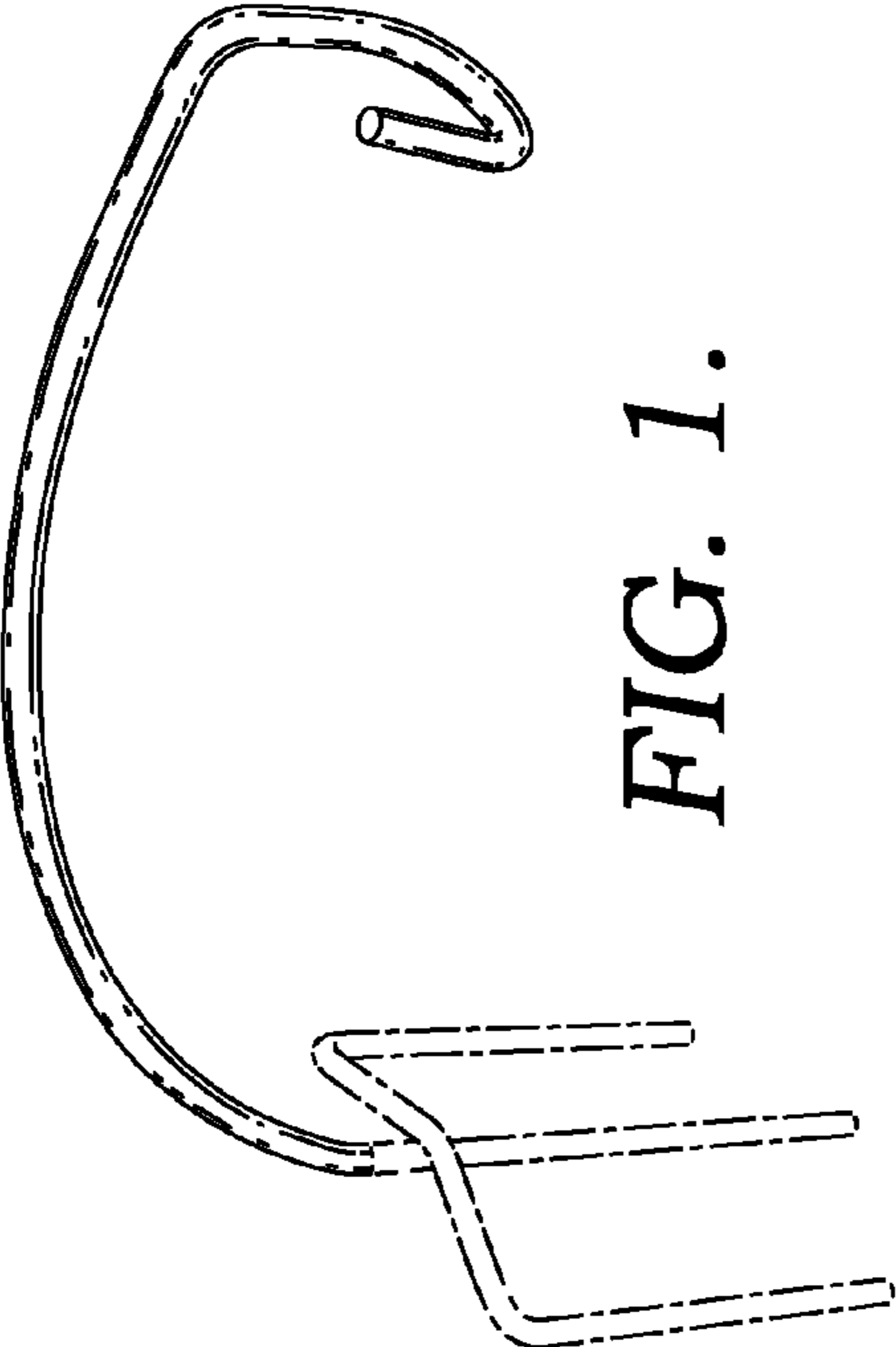


FIG. 1.

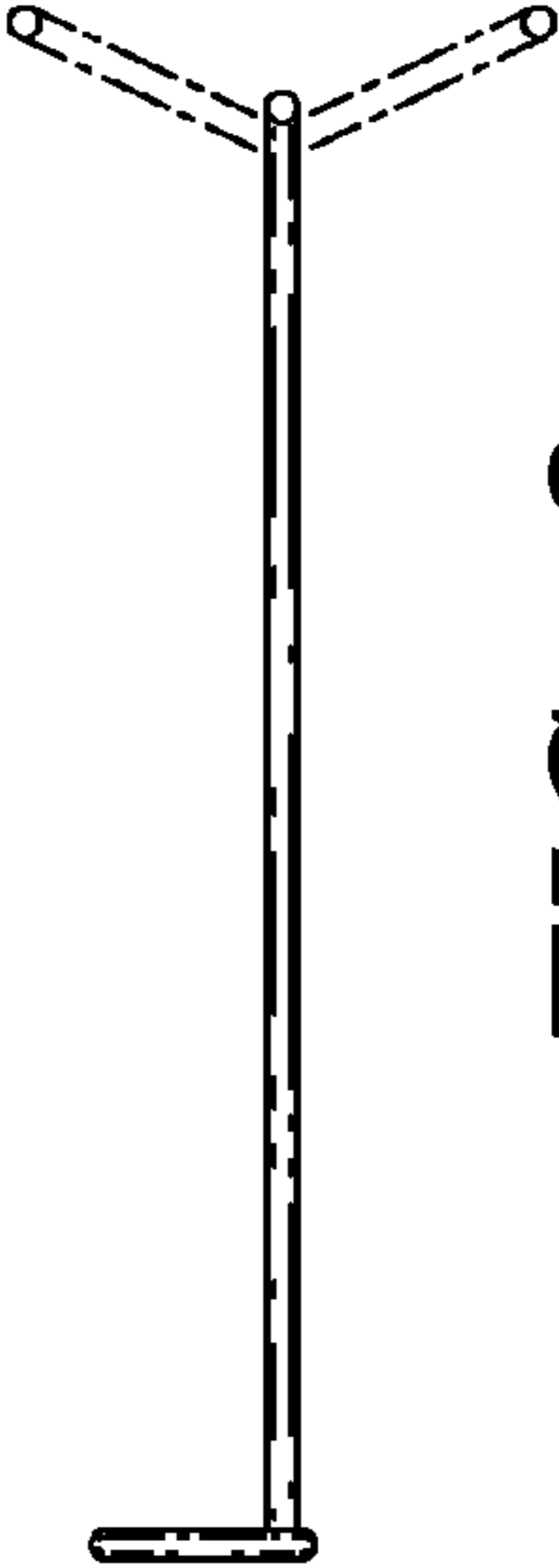


FIG. 3.

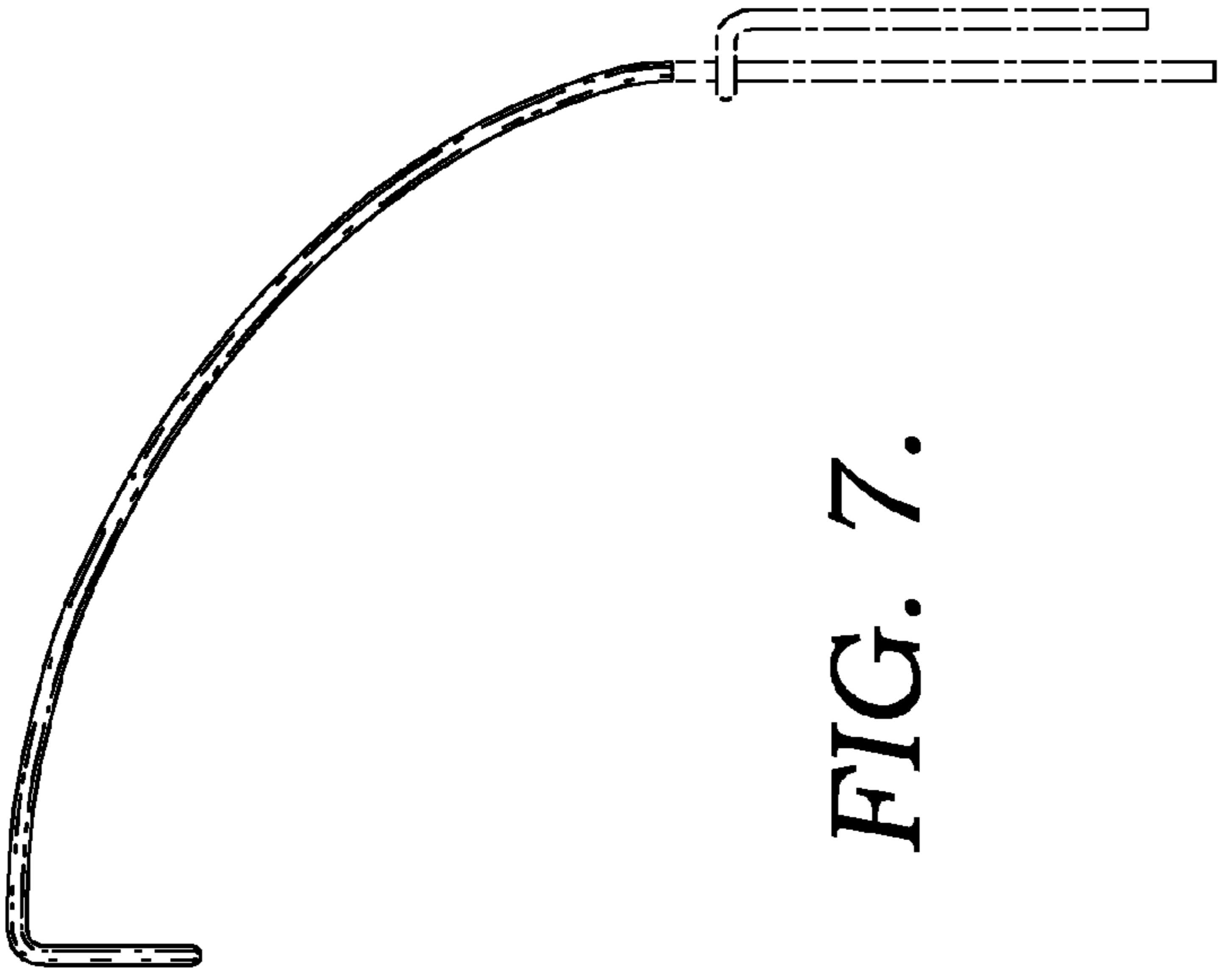


FIG. 7.

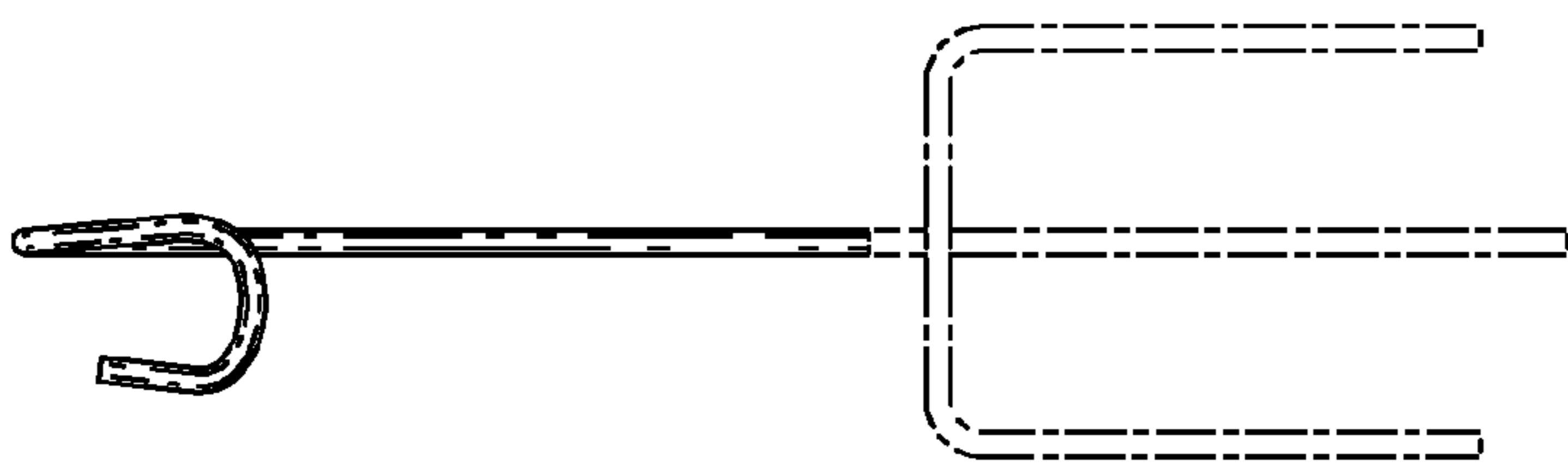


FIG. 5.

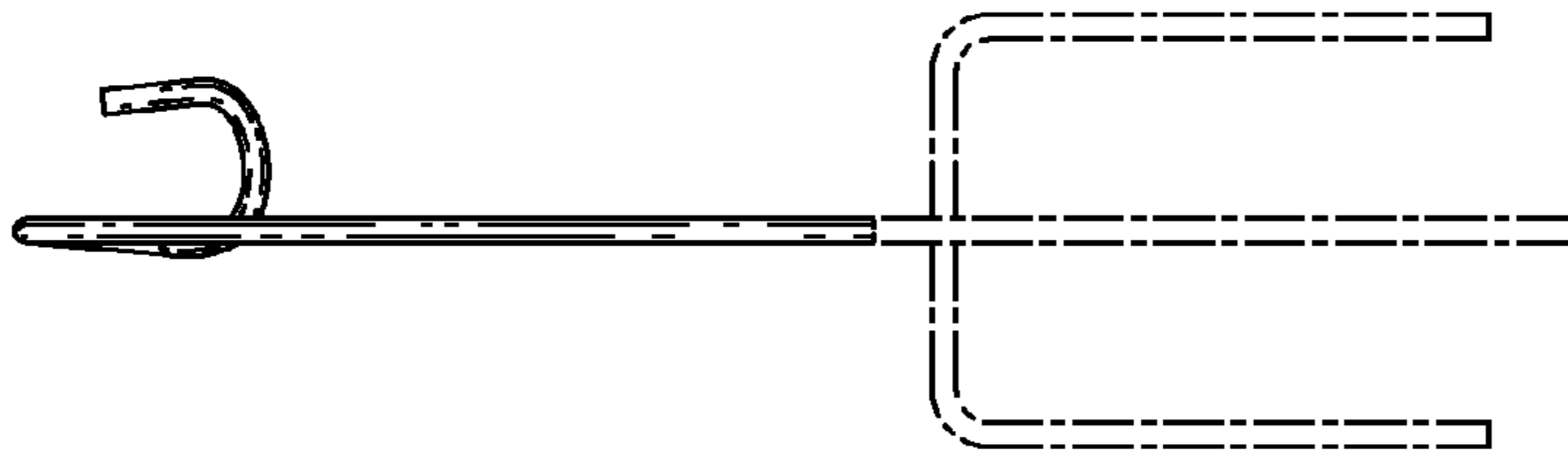


FIG. 6.