



US00D602092S

(12) **United States Design Patent**
Tonnessen et al.

(10) **Patent No.:** **US D602,092 S**
(45) **Date of Patent:** **** Oct. 13, 2009**

(54) **SIGN**

(75) Inventors: **Tracy Tonnessen**, Minneapolis, MN (US); **Mark Waite**, Coon Rapids, MN (US); **Conrad M. Chin**, Minneapolis, MN (US); **Eric J. Weiss**, Minneapolis, MN (US)

(73) Assignee: **Target Brands, Inc.**, Minneapolis, MN (US)

(**) Term: **14 Years**

(21) Appl. No.: **29/317,762**

(22) Filed: **May 6, 2008**

(51) **LOC (9) Cl.** **20-03**

(52) **U.S. Cl.** **D20/42**

(58) **Field of Classification Search** D20/10, D20/19, 22, 28, 40-43, 99; 40/124.01, 124.02, 40/124.04, 124.07, 299.01, 312, 368, 440, 40/538-542, 544, 546, 547, 553, 568, 572, 40/584, 594, 600, 607.11, 610, 616, 617, 40/624, 661.05, 661.11; D10/109; D11/79; D26/63; 24/459; 248/480; 362/812; 446/244
See application file for complete search history.

(56) **References Cited**

U.S. PATENT DOCUMENTS

D78,442 S *	5/1929	Carson	D20/41
1,729,417 A	9/1929	Courtenay		
1,741,118 A	12/1929	Rosenfeld et al.		
1,798,199 A *	3/1931	Gans	40/572
1,854,145 A	4/1932	Wright		
1,906,668 A *	5/1933	Valk	40/440
1,947,341 A	2/1934	Hallowell		
1,952,250 A	3/1934	Hallowell et al.		
D124,524 S *	1/1941	Benioff	D20/10
2,915,944 A *	12/1959	Butts	248/480
4,209,928 A	7/1980	Kraayvanger		
D270,046 S *	8/1983	Burkheimer	D11/79

4,909,464 A	3/1990	Levine et al.		
5,103,581 A *	4/1992	Novak	40/547
5,617,661 A	4/1997	Mason		
5,655,271 A *	8/1997	Maxwell-Trumble et al.		24/459
D413,543 S *	9/1999	Behr	D11/79
D419,604 S	1/2000	Emmett		
6,094,849 A *	8/2000	Phillips et al.	40/546
D441,402 S *	5/2001	Chesler	D20/10
6,651,369 B1	11/2003	Keating et al.		
D514,165 S	1/2006	McCudden et al.		
D526,362 S	8/2006	Priegel		
D574,989 S *	8/2008	Rodzwil	D26/63
2002/0174582 A1	11/2002	Garfinkle et al.		

* cited by examiner

Primary Examiner—Janice E Seeger

Assistant Examiner—Mary Ann Calabrese

(74) *Attorney, Agent, or Firm*—Griffiths & Seaton PLLC

(57) **CLAIM**

The ornamental design for a sign, as shown and described.

DESCRIPTION

FIG. 1 is an isometric view of an sign, according to the invention;

FIG. 2 is a front view thereof;

FIG. 3 is a rear view thereof;

FIG. 4 is a top view thereof;

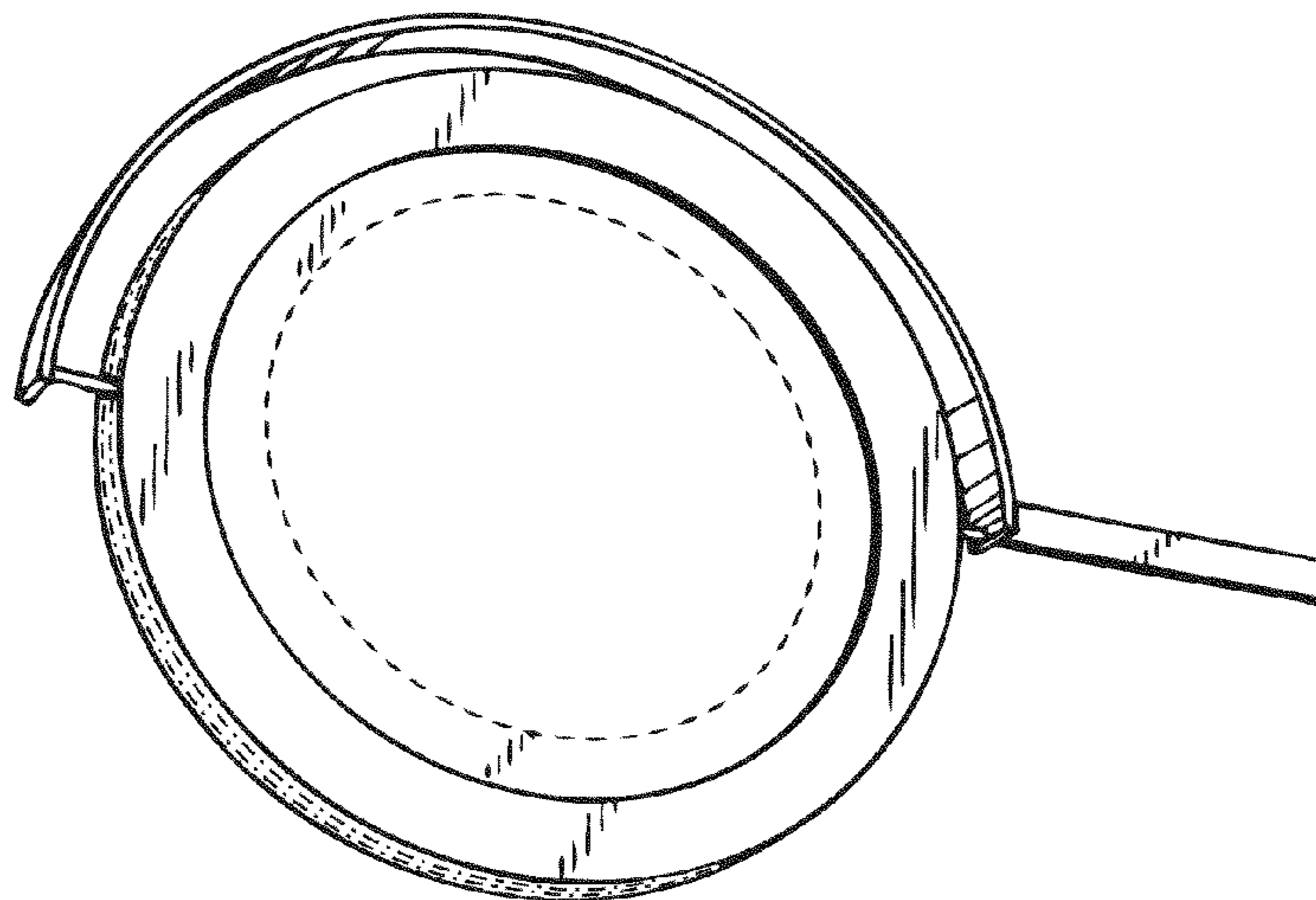
FIG. 5 is a bottom view thereof;

FIG. 6 is a right side view thereof; and,

FIG. 7 is a left side view thereof.

The broken lines are for illustrative purposes only and form no part of the claimed design. The evenly spaced broken lines connecting the ends on the right side of the sign define the boundary of the claim. The circular area bounded by the evenly spaced broken lines in FIGS. 1, 2 and 3 designates a boundary of claimed matter. The dot-dash-dot broken lines represent unclaimed portions of the design.

1 Claim, 7 Drawing Sheets



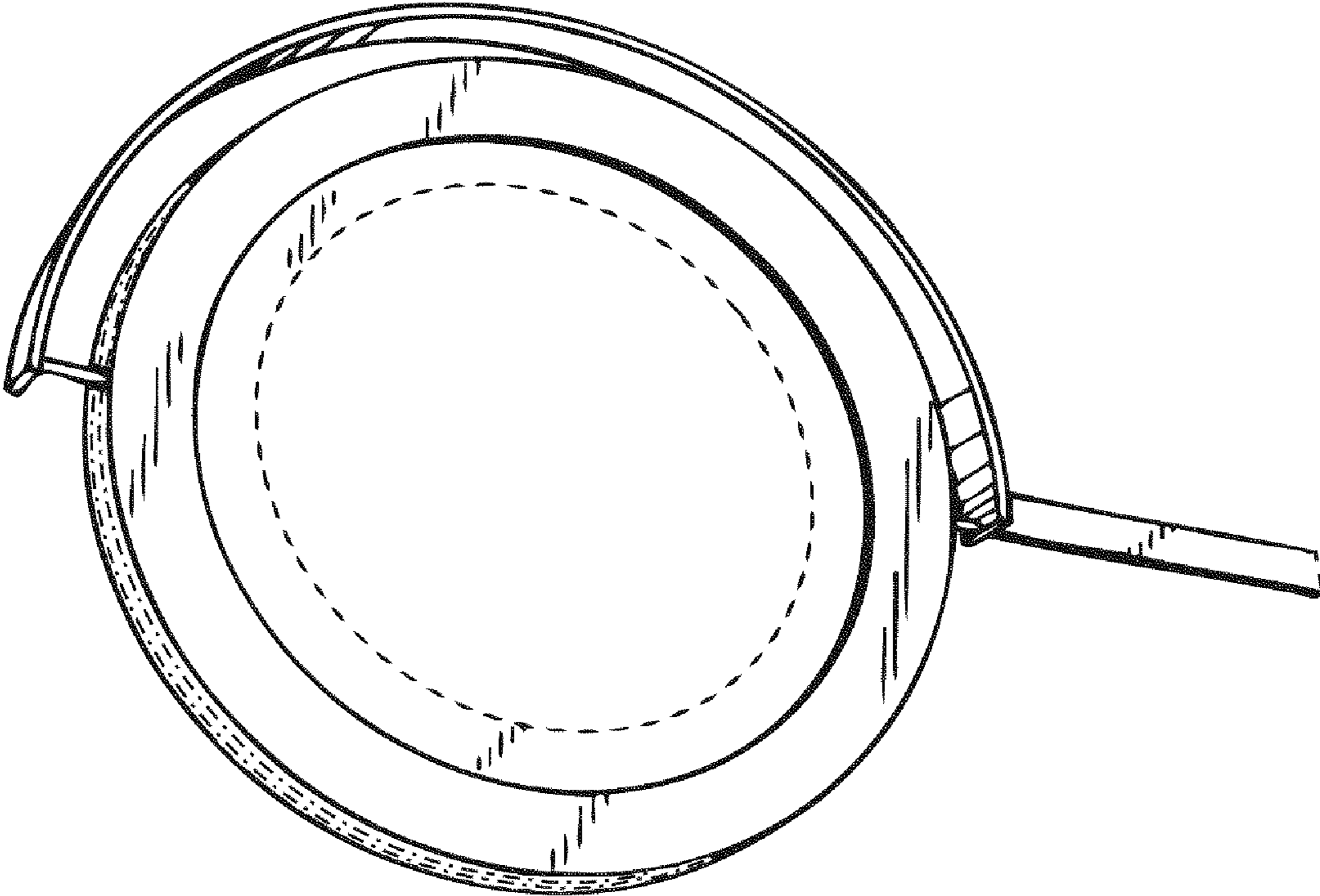


FIG. 1

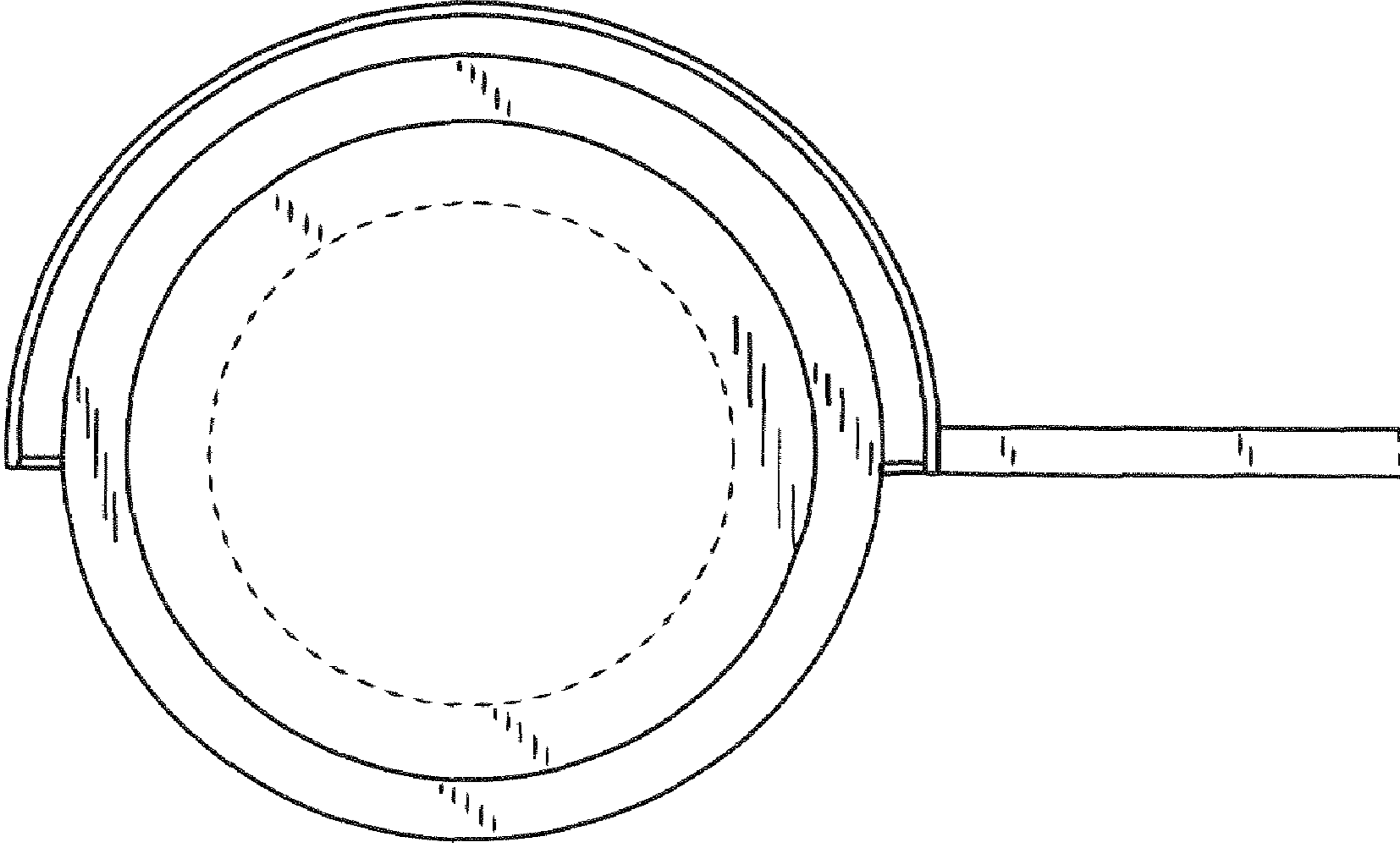


FIG. 2

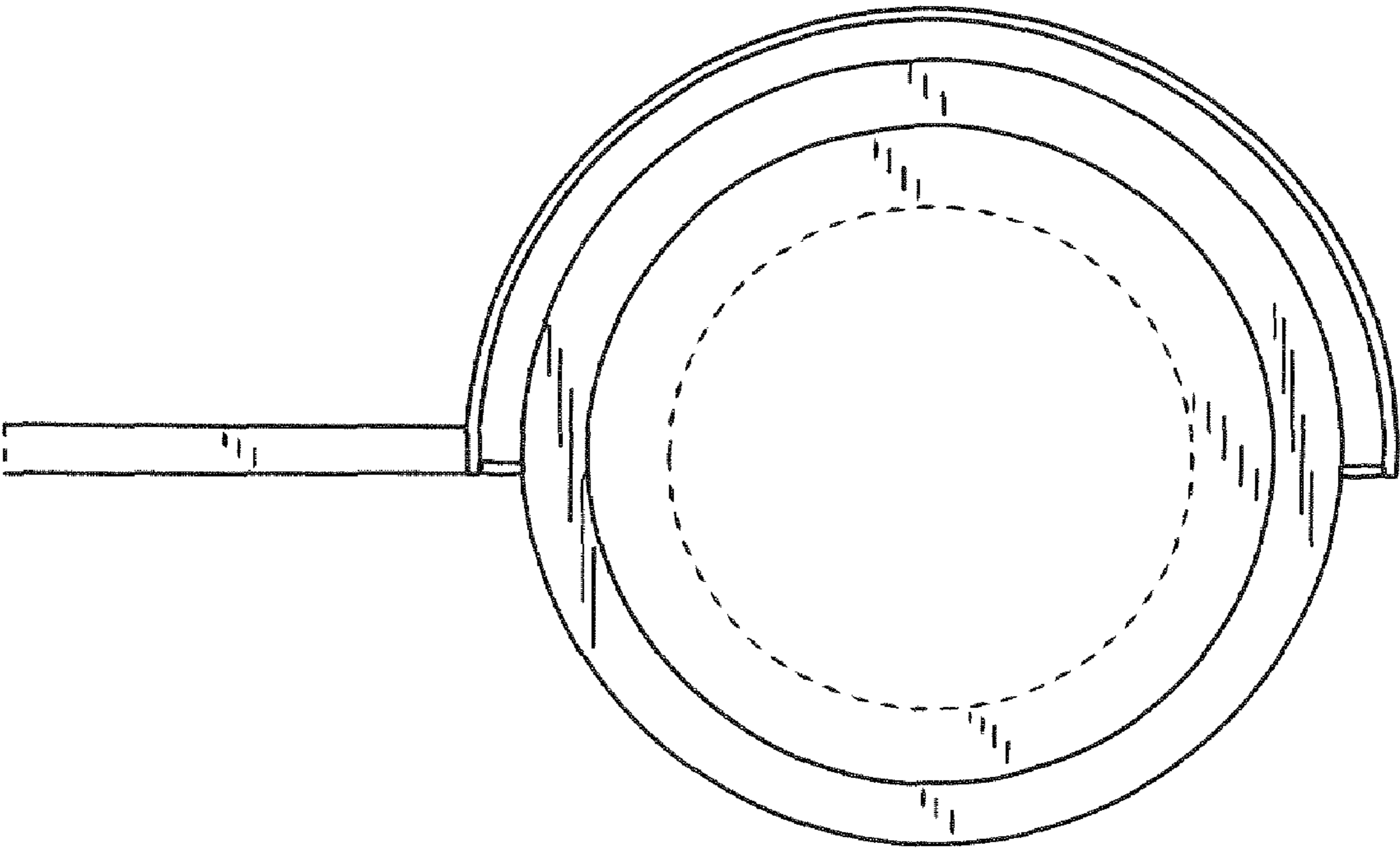


FIG. 3



FIG. 4



FIG. 5

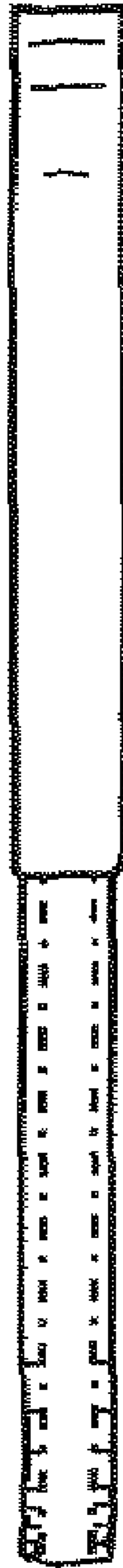


FIG. 6

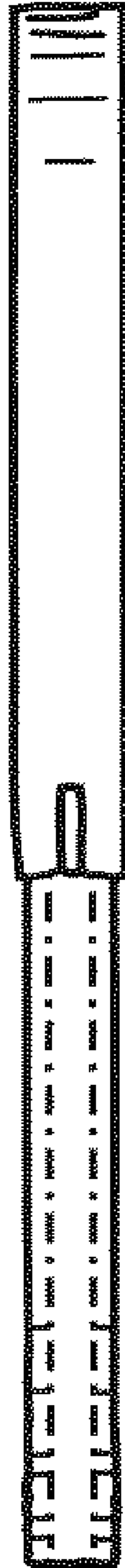


FIG. 7