



US00D602091S

(12) **United States Design Patent**  
**Traister**

(10) **Patent No.:** **US D602,091 S**  
(45) **Date of Patent:** **\*\* Oct. 13, 2009**

(54) **LUGGAGE IDENTIFIER**

2009/0056188 A1\* 3/2009 Kasten ..... 40/626

(76) **Inventor:** **Kenneth Randal Traister**, 699  
Mahoning Rd., Templeton, PA (US)  
16259

(\*\*) **Term:** **14 Years**

(21) **Appl. No.:** **29/311,020**

(22) **Filed:** **Dec. 9, 2008**

(51) **LOC (9) Cl.** ..... **19-08**

(52) **U.S. Cl.** ..... **D20/23; D20/28**

(58) **Field of Classification Search** ..... D20/10,  
D20/19, 22, 23, 27-29, 43, 99; 40/5, 6, 299.01,  
40/327, 625-628, 642.02, 651, 661, 661.01,  
40/661.02, 661.12, 662, 664; D3/207, 208;  
D10/104, 109; D11/157; D12/400; D21/708;  
24/16 PB; 283/56, 71, 74, 80, 81  
See application file for complete search history.

(56) **References Cited**

**U.S. PATENT DOCUMENTS**

702,942	A *	6/1902	Gray	.....	40/327
3,605,199	A *	9/1971	Eberhardt	.....	24/16 PB
4,680,882	A *	7/1987	Watson, Jr.	.....	40/5
D404,195	S *	1/1999	Beals	.....	D3/208
D457,720	S *	5/2002	Dorris et al.	.....	D3/208
6,450,718	B1	9/2002	Spruill		
6,550,813	B1 *	4/2003	Siegrist	.....	283/74
D510,798	S *	10/2005	MacDonald	.....	D3/207
D564,396	S *	3/2008	Porter	.....	D11/157

**OTHER PUBLICATIONS**

Golf Bag Tags, NexTag Comparison Shopping, <http://www.nextag.com/golf-bag-tags/search.html>, printed from the Internet on Oct. 16, 2008, 3 pages.

\* cited by examiner

*Primary Examiner*—Janice E Seeger

*Assistant Examiner*—Mary Ann Calabrese

(74) *Attorney, Agent, or Firm*—Richard C. Litman

(57) **CLAIM**

The ornamental design for a luggage identifier, as shown and described.

**DESCRIPTION**

FIG. 1 is a perspective view of a luggage identifier showing my new design;

FIG. 2 is a top plan view thereof;

FIG. 3 is a bottom plan view thereof;

FIG. 4 is a right side elevational view with the left side being a mirror image thereof;

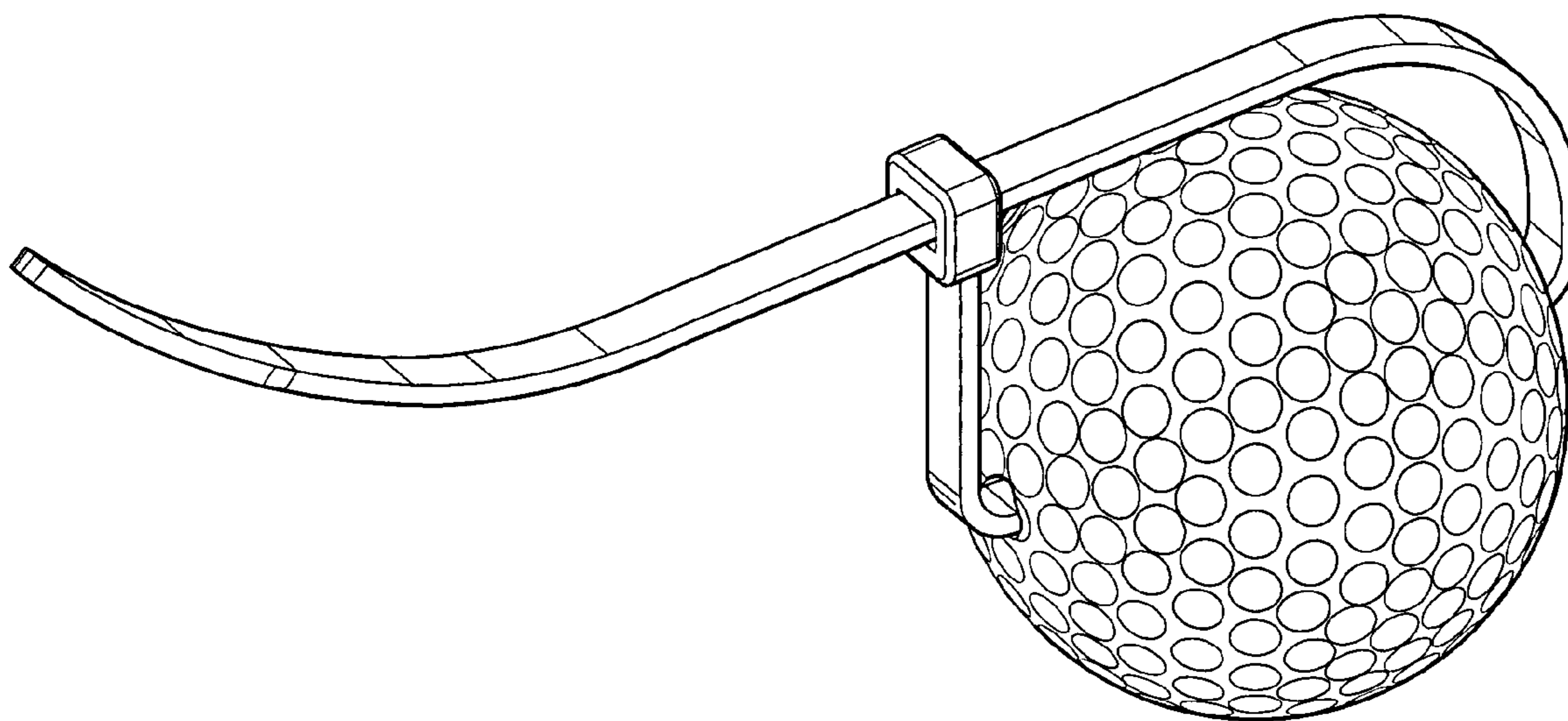
FIG. 5 is a front elevational view thereof;

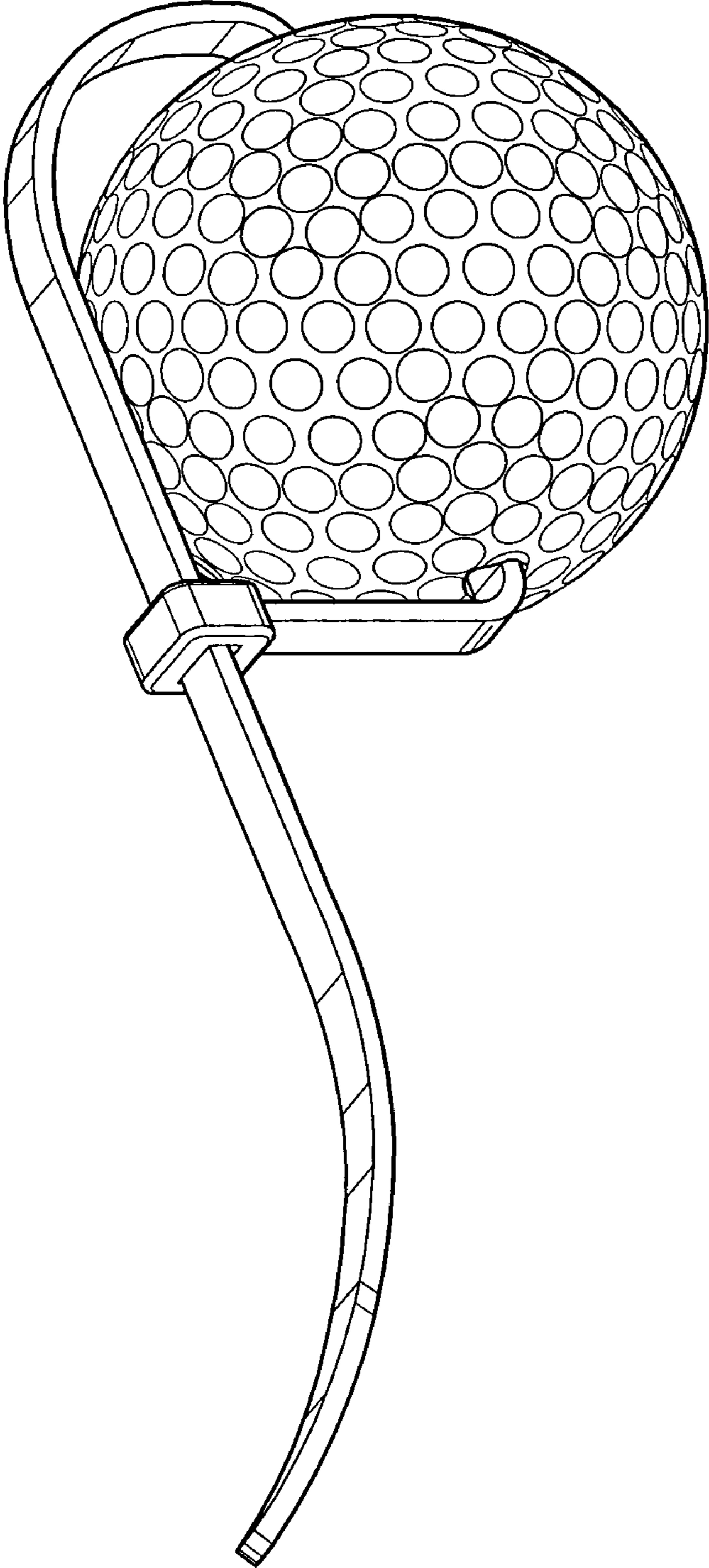
FIG. 6 is a rear elevational view thereof; and,

FIG. 7 is an environmental perspective view thereof.

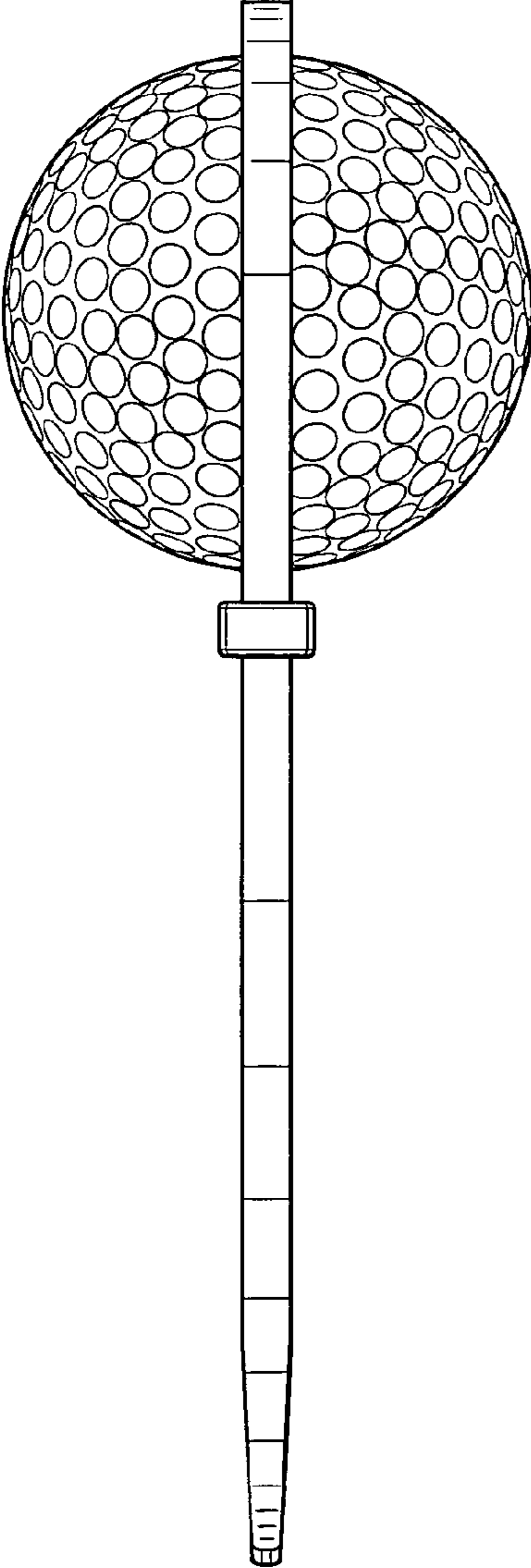
The broken line showing of luggage in FIG. 7 is for illustrative purposes only and forms no part of the claimed design.

**1 Claim, 5 Drawing Sheets**

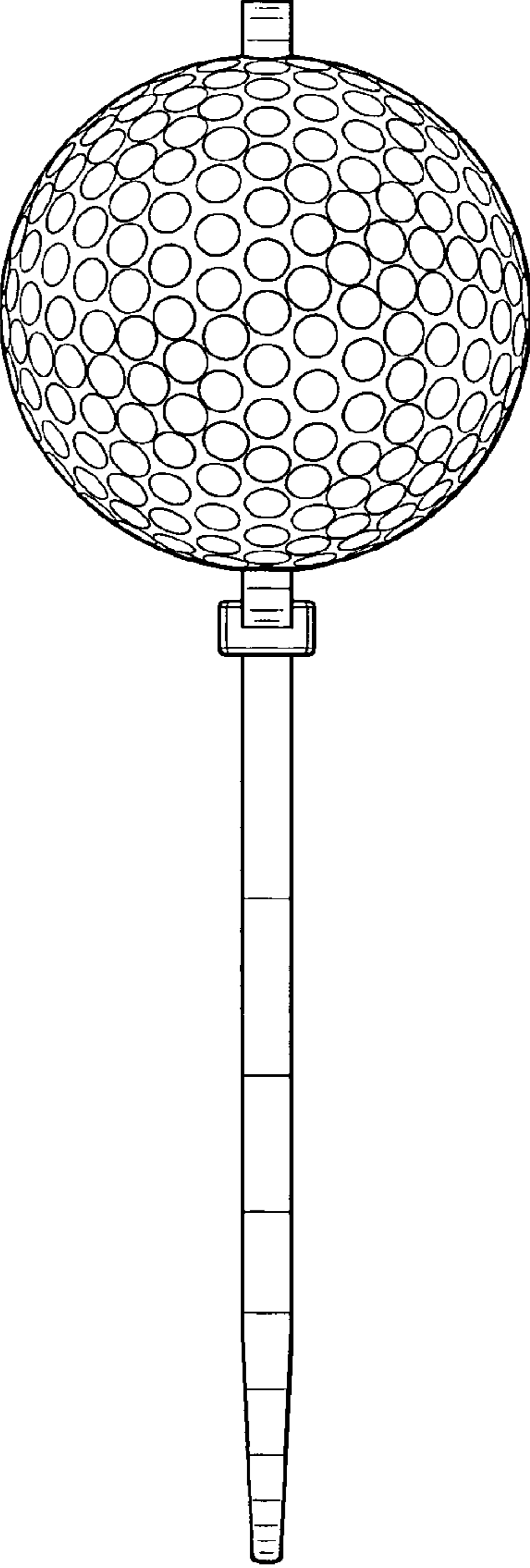




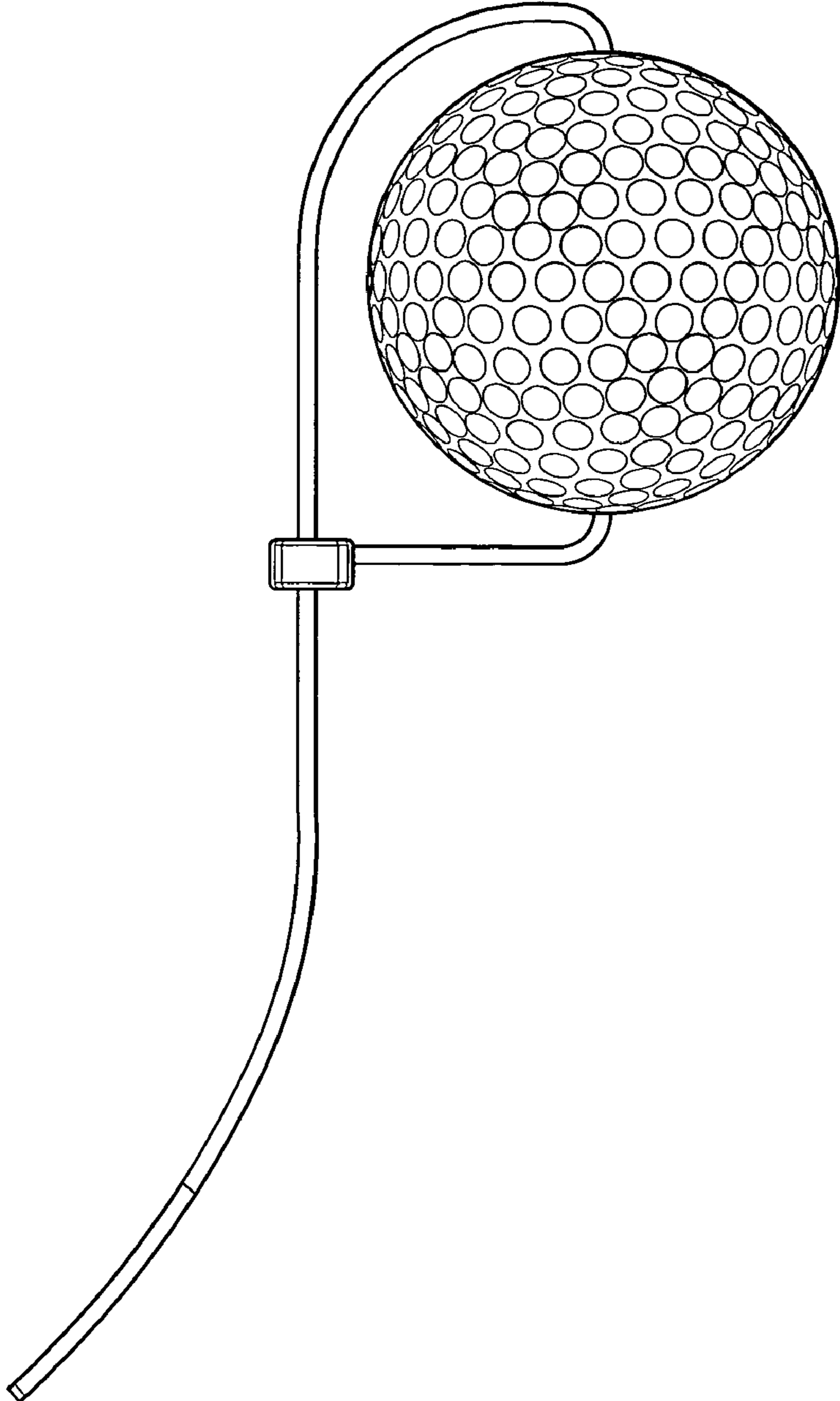
**Fig. 1**



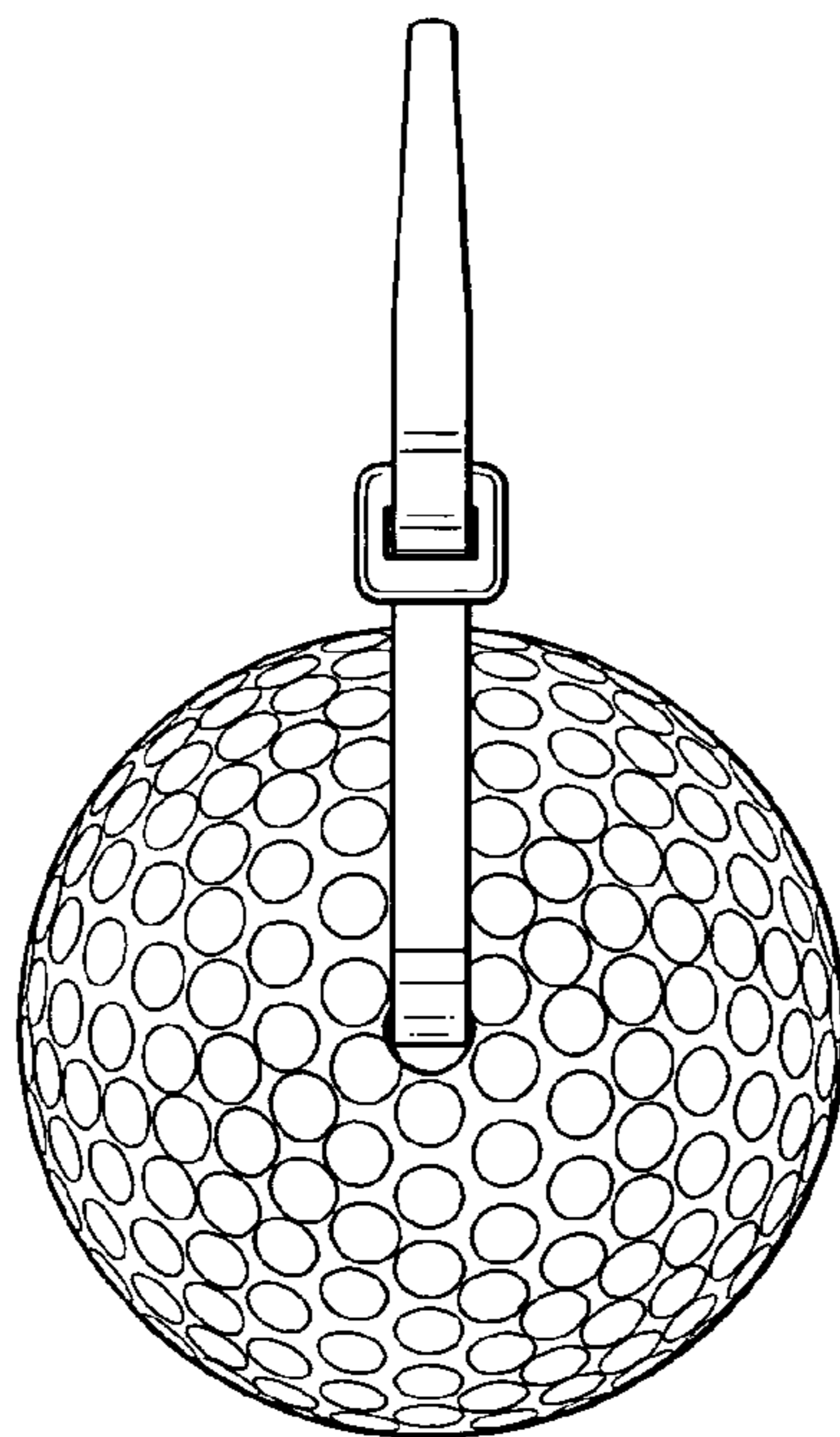
**Fig. 2**



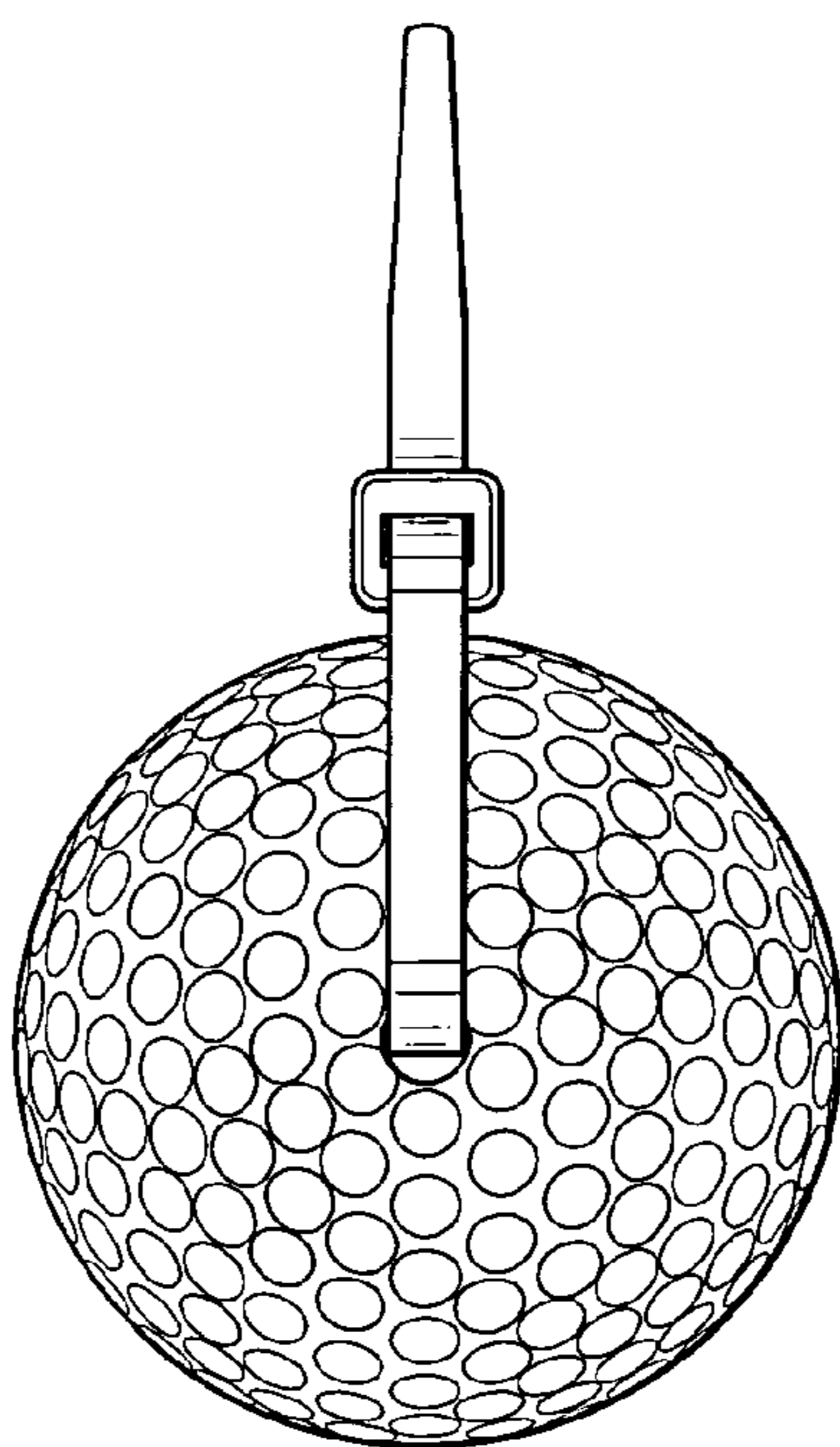
**Fig. 3**



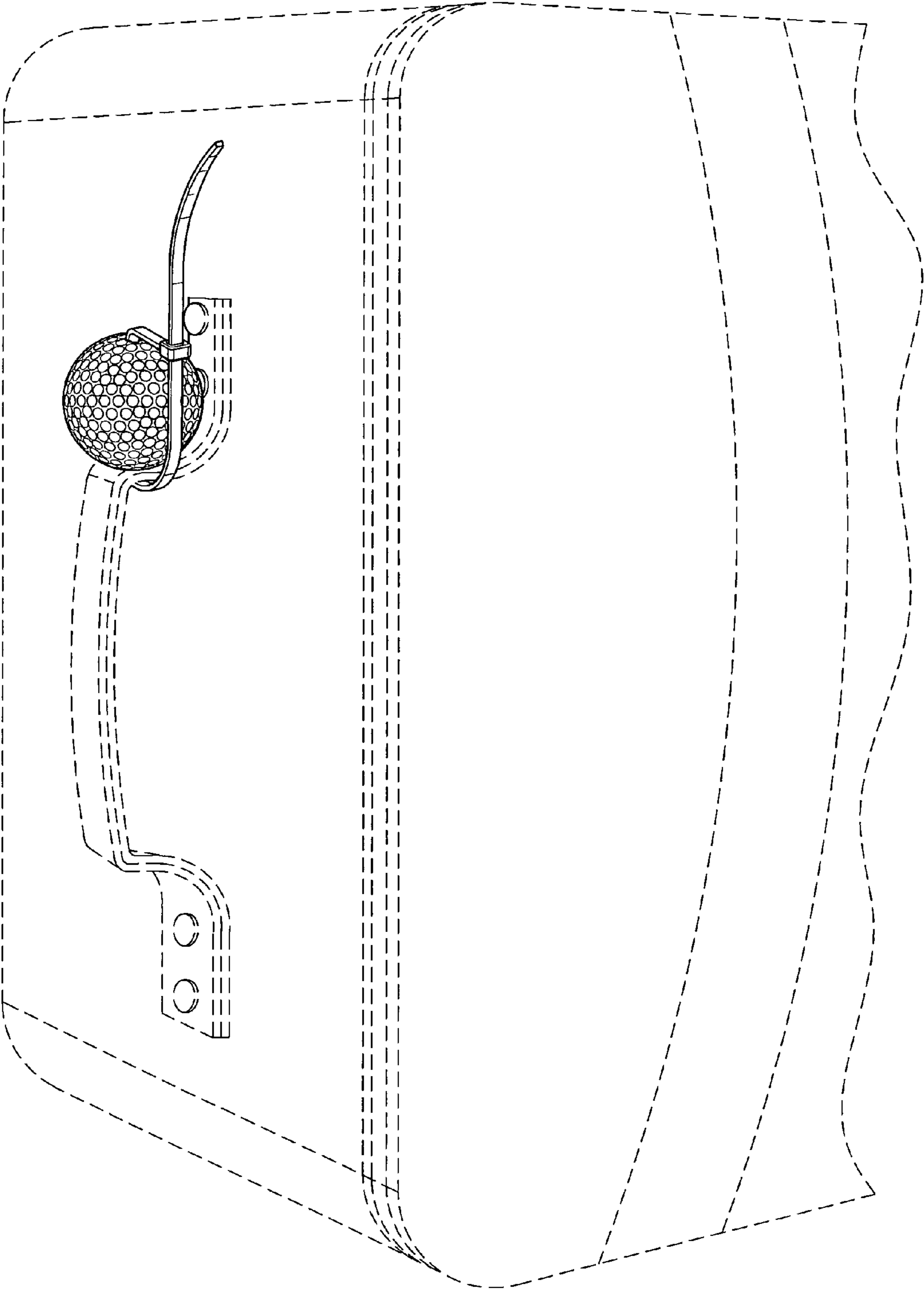
**Fig. 4**



**Fig. 5**



**Fig. 6**



**Fig. 7**