



US00D602081S

(12) **United States Design Patent**
Goodelman et al.

(10) **Patent No.:** **US D602,081 S**
(45) **Date of Patent:** **** Oct. 13, 2009**

(54) **CRAYON WHEEL**

D504,910 S 5/2005 Lee

(75) Inventors: **Stuart Goodelman**, Westbury, NY (US);
Arkadiy Viron, Lynbrook, NY (US)

(73) Assignee: **Liqui-Mark Corp.**, Hauppauge, NY
(US)

(**) Term: **14 Years**

(21) Appl. No.: **29/302,279**

(22) Filed: **Jan. 14, 2008**

(51) **LOC (9) Cl.** **19-06**

(52) **U.S. Cl.** **D19/36**

(58) **Field of Classification Search** D19/35,
D19/36, 41–51, 53–57; 24/11 R, 11 F, 11 P;
401/52, 99, 100, 104–109, 192, 195, 196
See application file for complete search history.

(56) **References Cited**

U.S. PATENT DOCUMENTS

D316,272 S	4/1991	Lee	
D317,940 S *	7/1991	Brenner	D19/41
D319,467 S *	8/1991	Clowes	D19/36
D389,518 S *	1/1998	Reichmann	D19/36
D463,488 S *	9/2002	Kramer et al.	D19/36
D469,465 S	1/2003	Chen	
D470,177 S	2/2003	Chen	
D482,391 S	11/2003	Hui	
D482,393 S *	11/2003	Hui	D19/36

OTHER PUBLICATIONS

Crayo-Craze 6 Color Crayon Wheel, style # 8680, Liqui-Mark Promotional Products, liquimark.com, 3 pages, 2008.*

Crayo-Craze 6 Color Crayon Wheel, #8680, A Spectrum of Promotional Products, spectrum.com, 2 pages, 1991-2007.*

New "Crayo-Craze" 6 Color Crayon Wheel Wins, style 8680, Liqui-Mark Promotional Products, liquimark.com, 2 pages, 2008.*

* cited by examiner

Primary Examiner—Elizabeth A Albert

(74) *Attorney, Agent, or Firm*—Levine & Mandelbaum

(57) **CLAIM**

We claim the ornamental design for a crayon wheel, as shown and described.

DESCRIPTION

FIG. 1 is a perspective view from the bottom, right side and rear of a crayon wheel showing my new design.

FIG. 2 is right side elevational view thereof, the left side elevational view being a mirror image thereof.

FIG. 3 is front elevational view thereof.

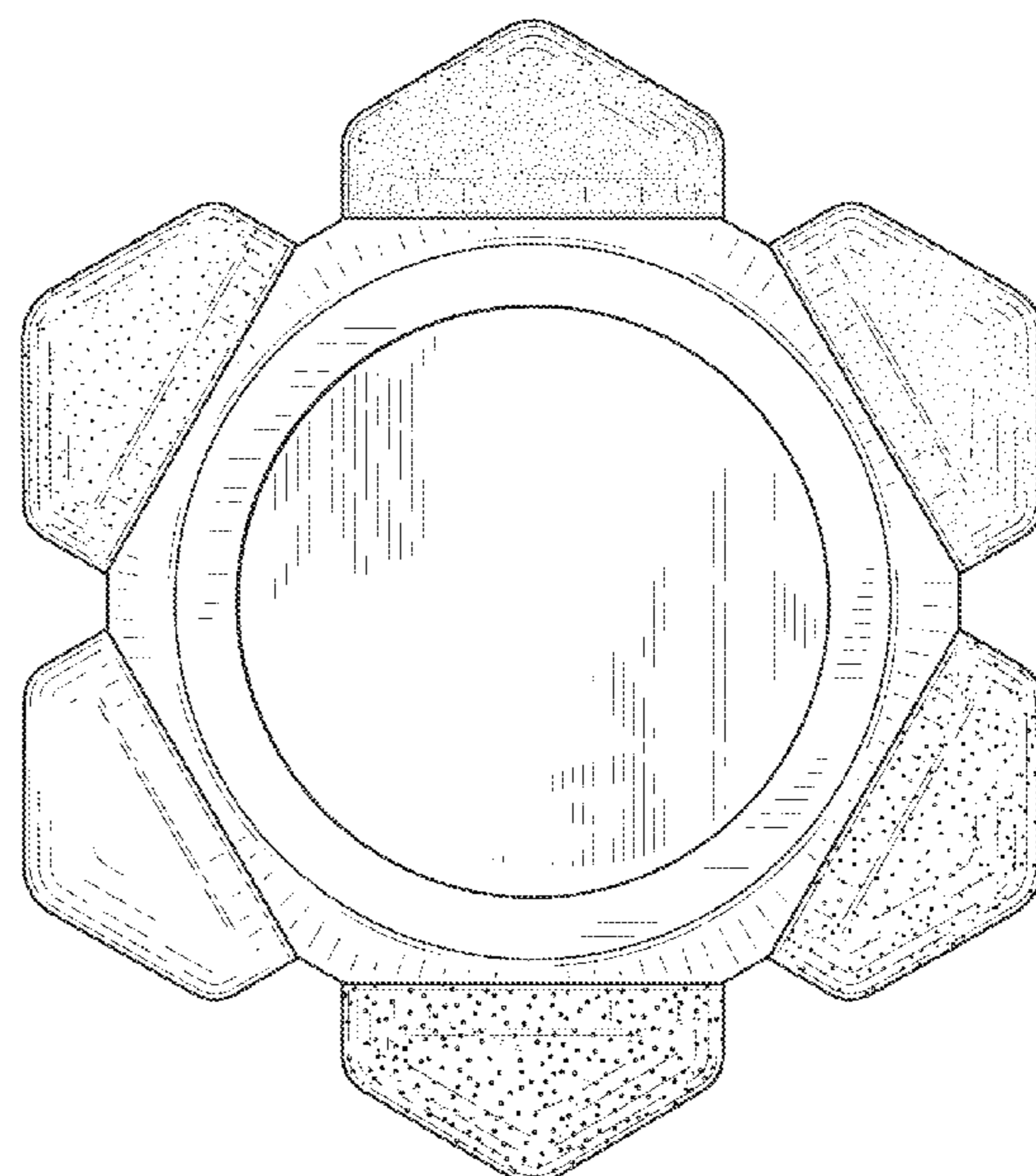
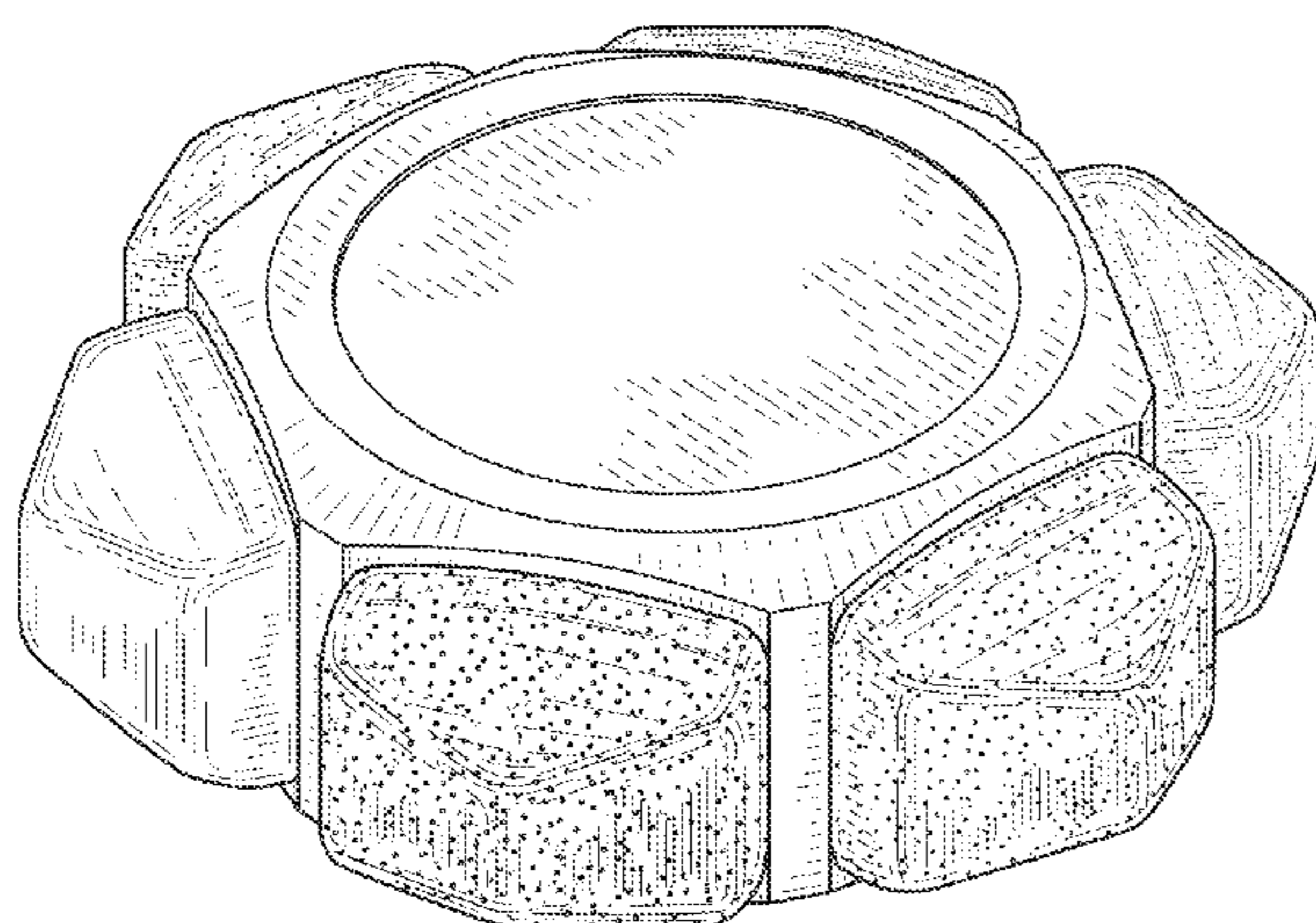
FIG. 4 is rear elevational view thereof.

FIG. 5 is top plan view thereof; and,

FIG. 6 is bottom plan view thereof.

The stippling shown on the crayon portions around the perimeter are provided to represent a contrast of color.

1 Claim, 5 Drawing Sheets



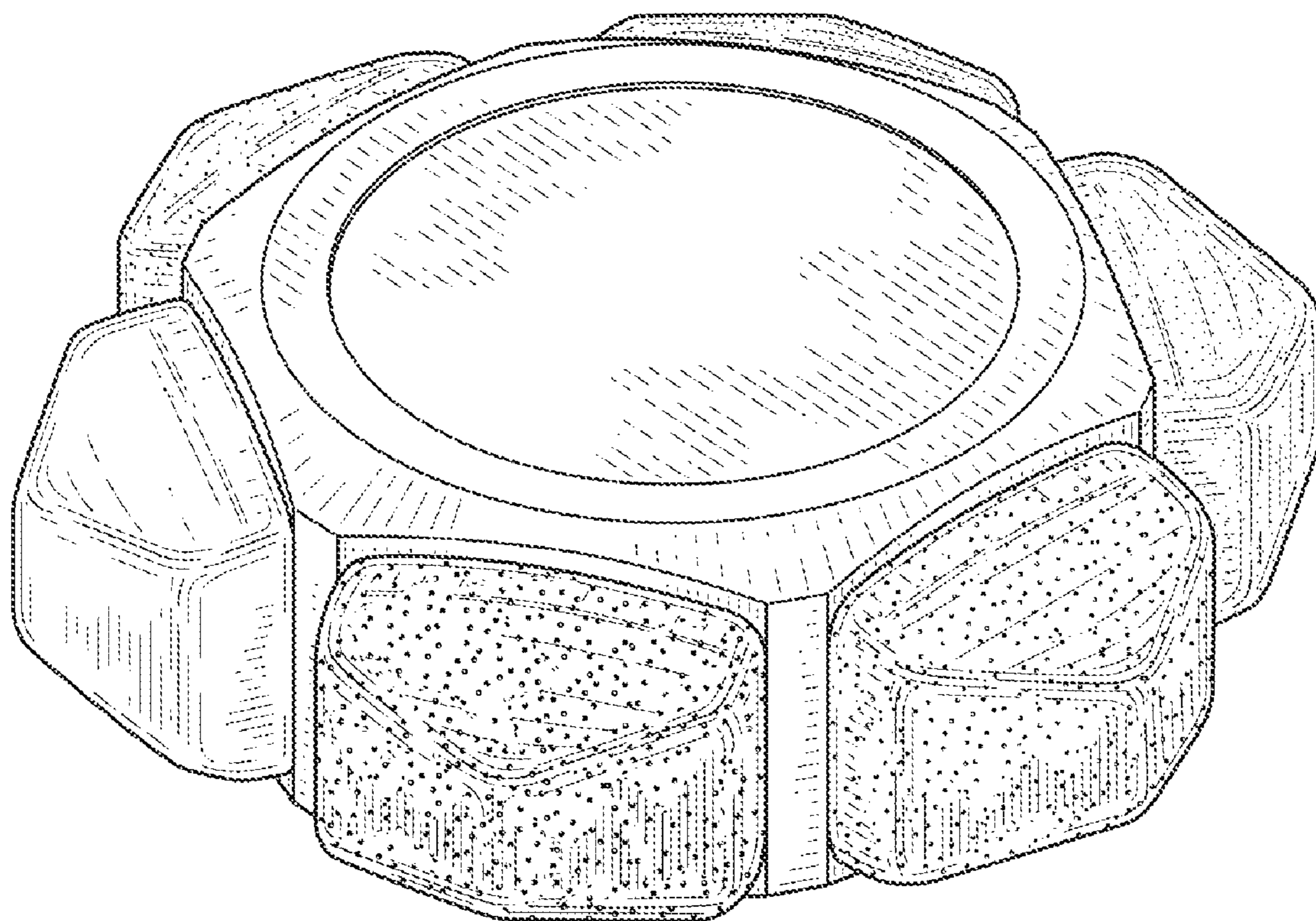


FIG. 1

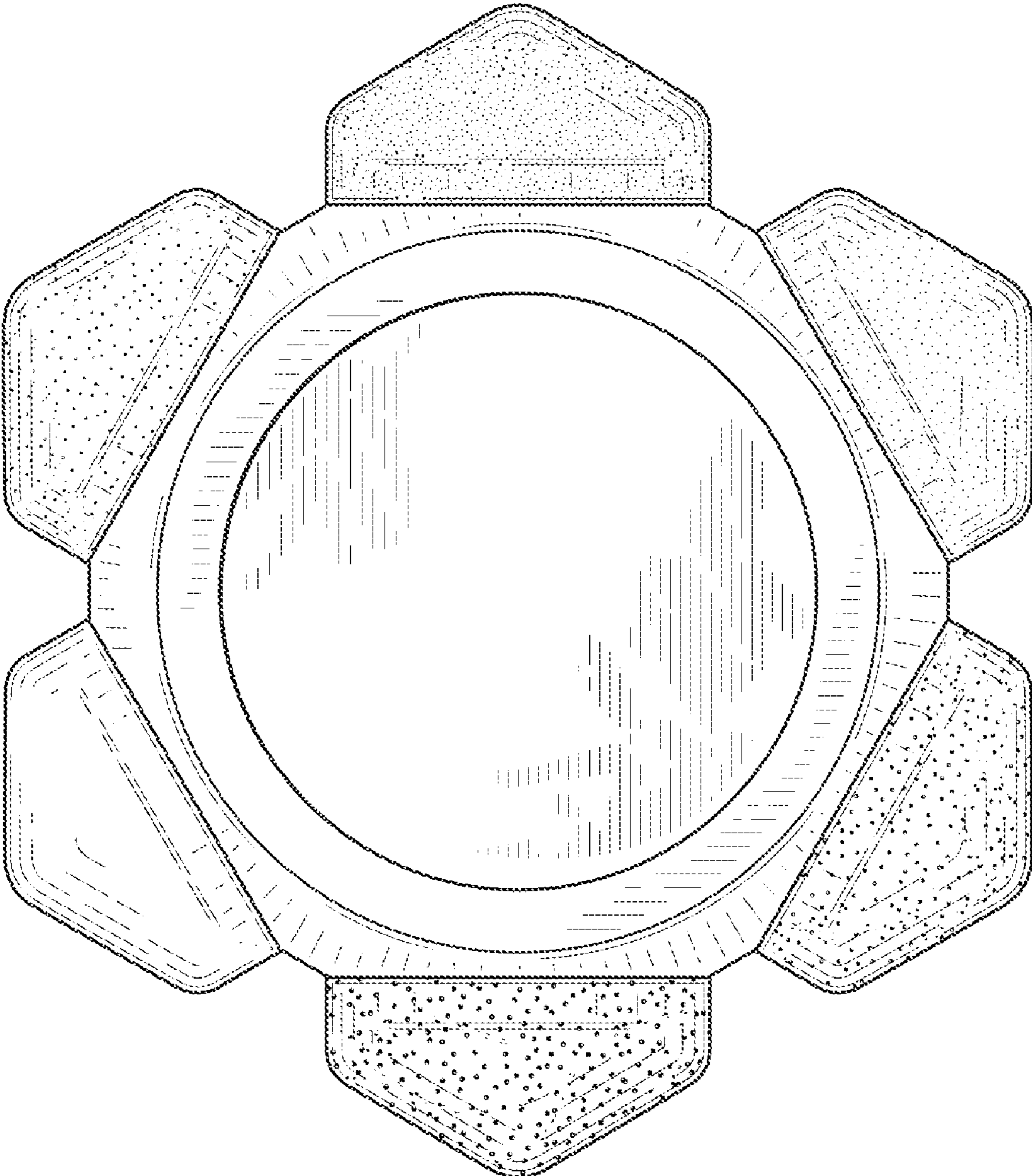


FIG. 2

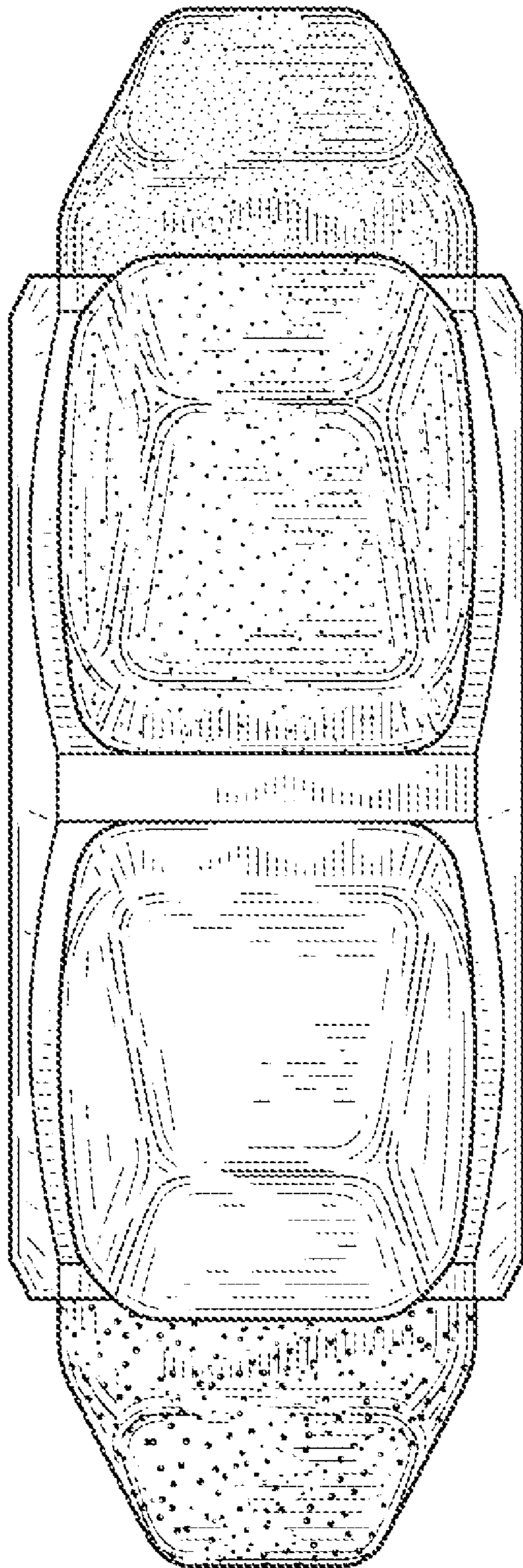


FIG. 3

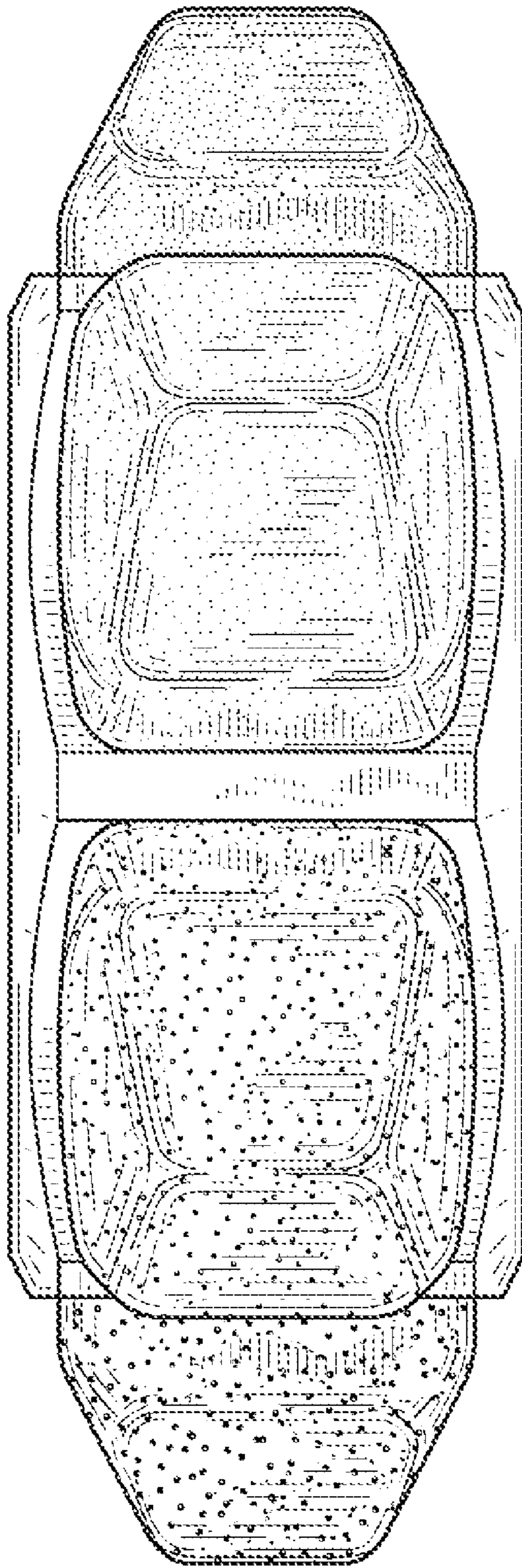


FIG. 4

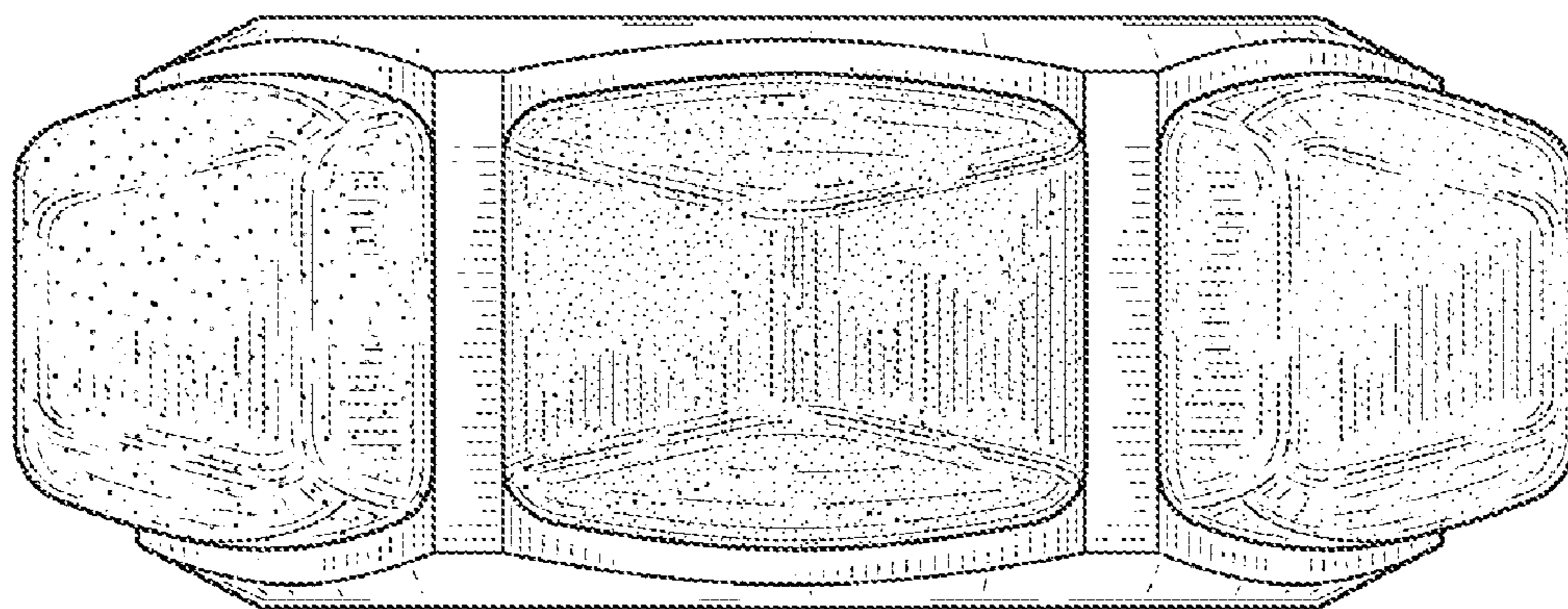


FIG. 5

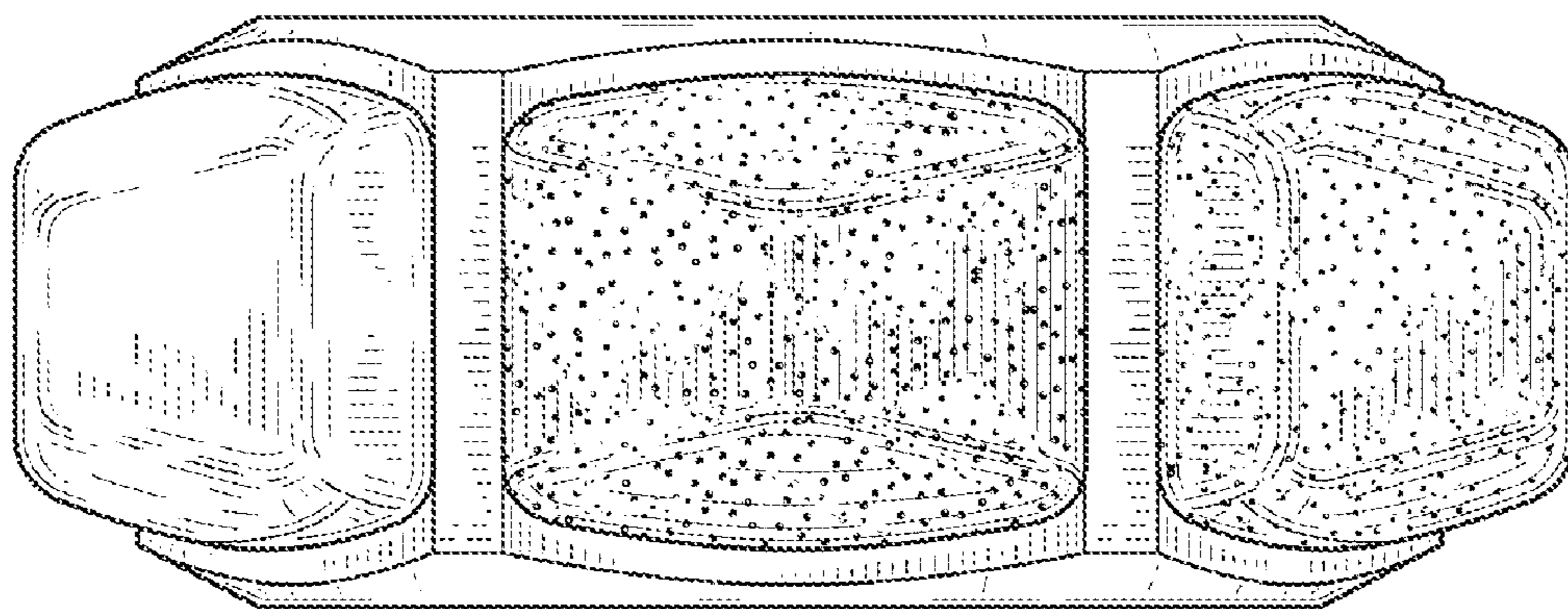


FIG. 6