



US00D602075S

(12) **United States Design Patent**
Sugrue et al.

(10) **Patent No.:** **US D602,075 S**

(45) **Date of Patent:** **** Oct. 13, 2009**

(54) **MAILING MACHINE**

(75) Inventors: **Joseph B. Sugrue**, Fairfield, CT (US);
Charles W. Klein, Woodbridge, CT (US)

(73) Assignee: **Pitney Bowes Inc.**, Stamford, CT (US)

(**) Term: **14 Years**

(21) Appl. No.: **29/288,292**

(22) Filed: **Jun. 6, 2007**

(51) **LOC (9) Cl.** **18-02**

(52) **U.S. Cl.** **D18/51**

(58) **Field of Classification Search** D18/50,
D18/51, 56; D15/199; 101/5, 47, 53, 71,
101/49; 346/9-11, 78, 139 R, 141; 705/406
See application file for complete search history.

(56) **References Cited**

U.S. PATENT DOCUMENTS

D224,666 S	8/1972	Schmeck et al.	D64/11
D257,153 S	9/1980	Woods et al.	D18/13
D326,677 S	6/1992	Nobile et al.	D18/51
D330,386 S	10/1992	Doeberl et al.	D18/51
D358,415 S	5/1995	Klein	D18/51
D361,780 S	8/1995	Jenkins	D18/51
D404,422 S	1/1999	Beckstrom et al.	D18/51
D414,798 S	10/1999	Brooks et al.	D18/51
D421,453 S	3/2000	Thraikill et al.	D18/51
D421,454 S	3/2000	Thraikill et al.	D18/51
D452,266 S *	12/2001	Weirsmann et al.	D18/51
D463,486 S *	9/2002	Hetzer	D18/51
D464,991 S	10/2002	Sugrue et al.	D18/51
D464,992 S	10/2002	Sugrue et al.	D18/51
D488,501 S	4/2004	Brooks, Jr. et al.	D18/51
D494,615 S	8/2004	Brooks, Jr. et al.	D18/51

D501,025 S	1/2005	Sugrue et al.	D18/99
D502,962 S *	3/2005	Brooks et al.	D18/51
D505,448 S *	5/2005	Huebler	D18/51
D505,449 S *	5/2005	Huebler	D18/51
D506,497 S *	6/2005	Huebler	D18/51
D506,777 S *	6/2005	Huebler	D18/51
D507,594 S	7/2005	Sugrue et al.	D18/35.1
D509,241 S *	9/2005	Huebler	D18/51
D520,052 S	5/2006	Beckstrom et al.	D18/51
D520,053 S	5/2006	Sugrue et al.	D18/51
D526,008 S *	8/2006	Friedrich et al.	D18/51
D528,152 S *	9/2006	Friedrich et al.	D18/51
D529,079 S *	9/2006	Sugrue et al.	D18/51
D576,669 S *	9/2008	Mastriano et al.	D18/50
D582,472 S *	12/2008	Sugrue et al.	D18/51

* cited by examiner

Primary Examiner—Charles A Rademaker

(74) *Attorney, Agent, or Firm*—George M. Macdonald;
Angelo N. Chaclas

(57) **CLAIM**

The ornamental design for a mailing machine, as shown and described.

DESCRIPTION

FIG. 1 is a top, front and left side perspective view of a mailing machine according to the present invention;

FIG. 2 is a front view thereof;

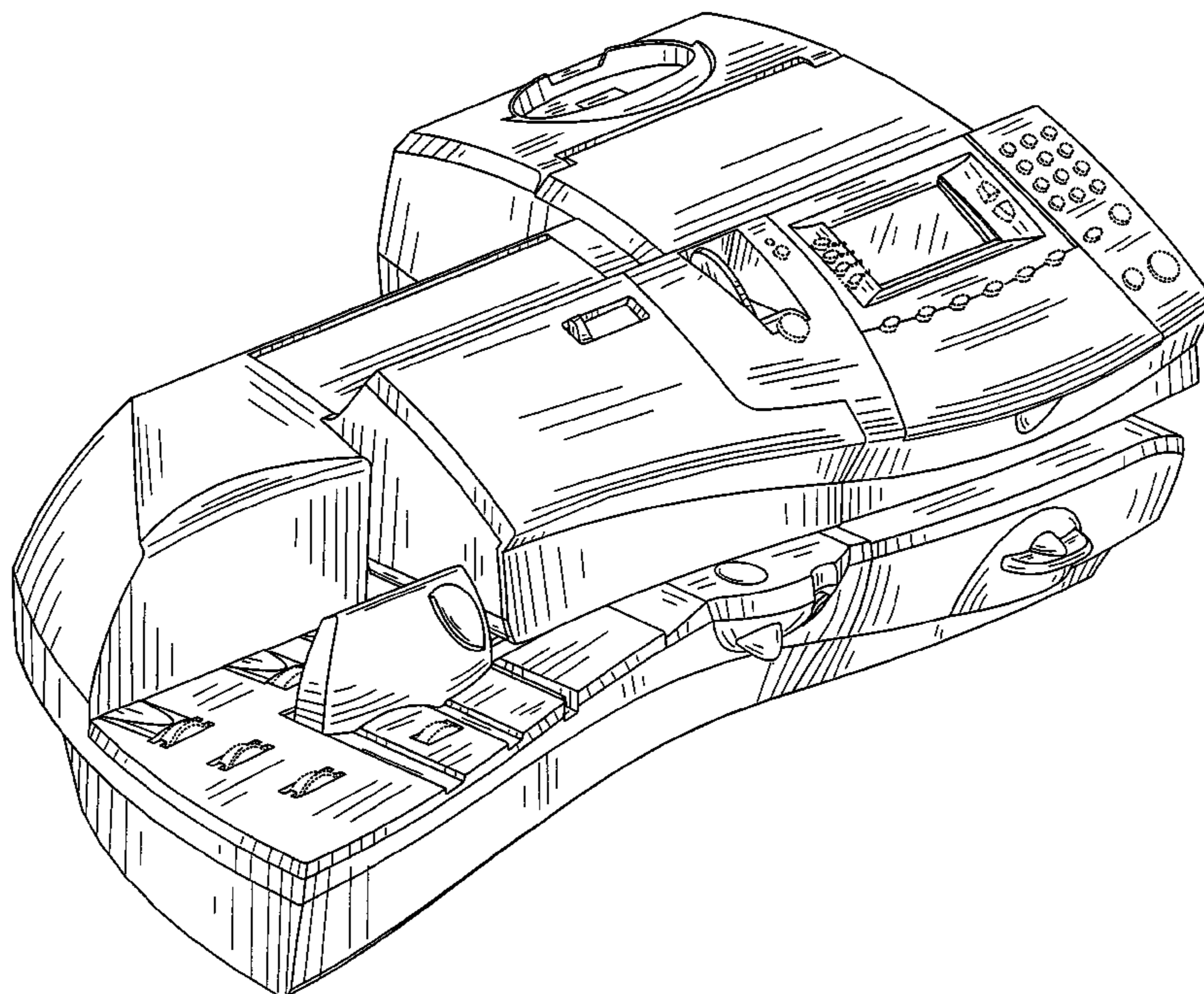
FIG. 3 is a top plan view thereof;

FIG. 4 is a left side view thereof;

FIG. 5 is a right side view thereof; and,

FIG. 6 is a rear view thereof.

1 Claim, 6 Drawing Sheets



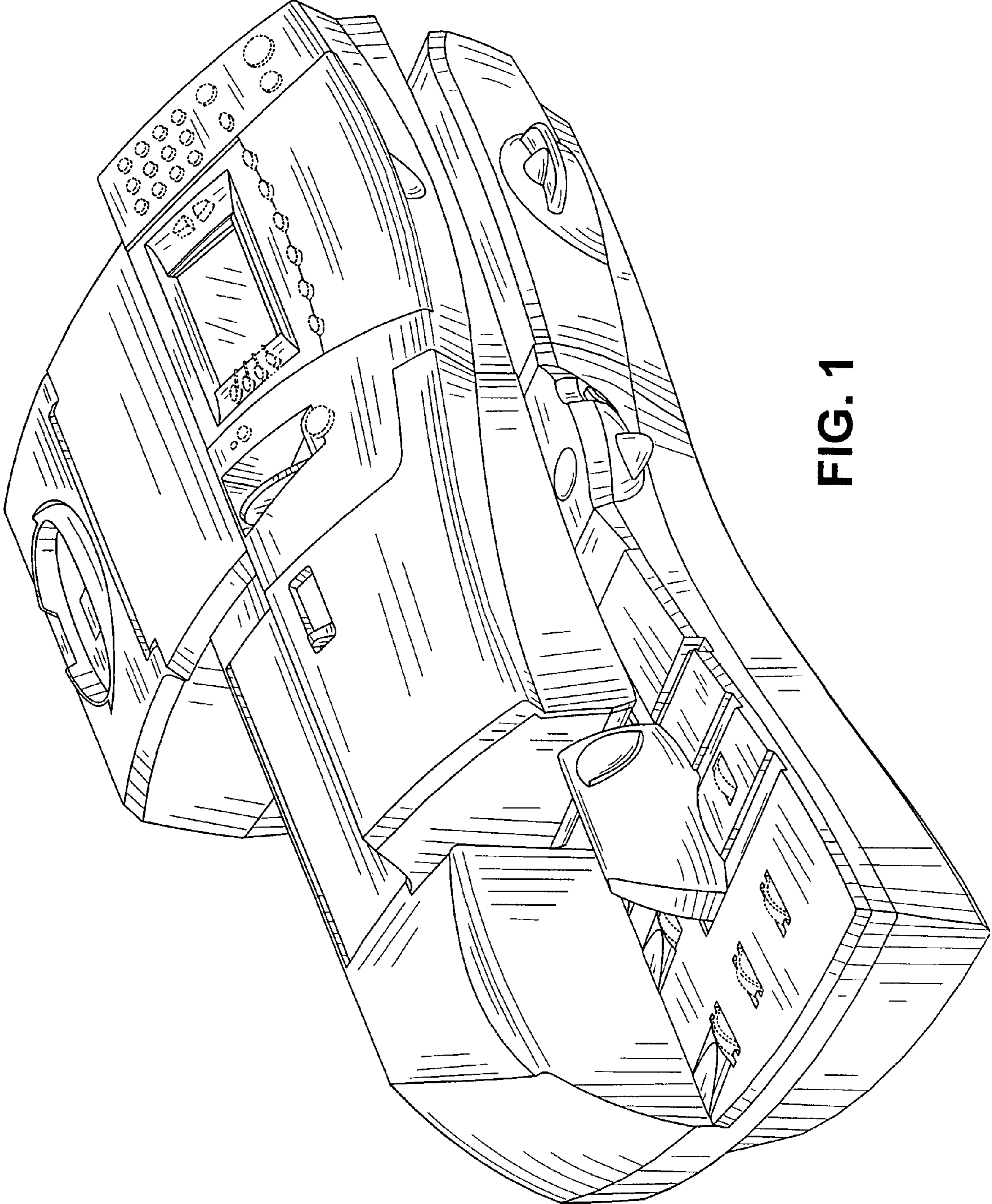


FIG. 1

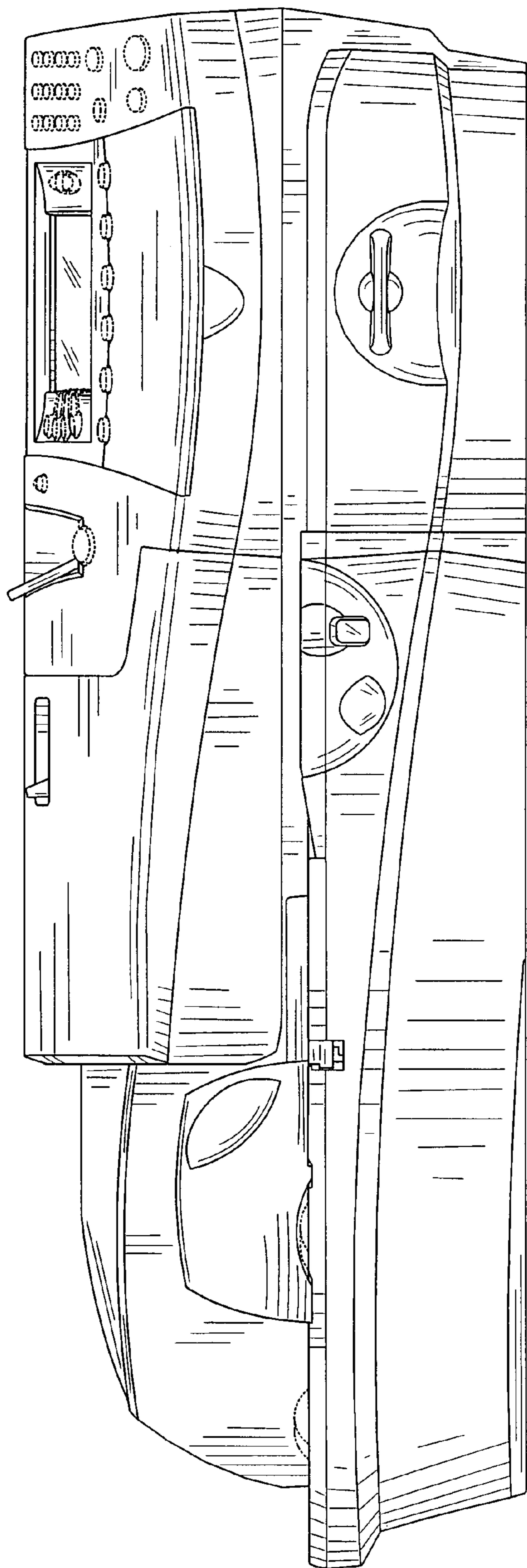


FIG. 2

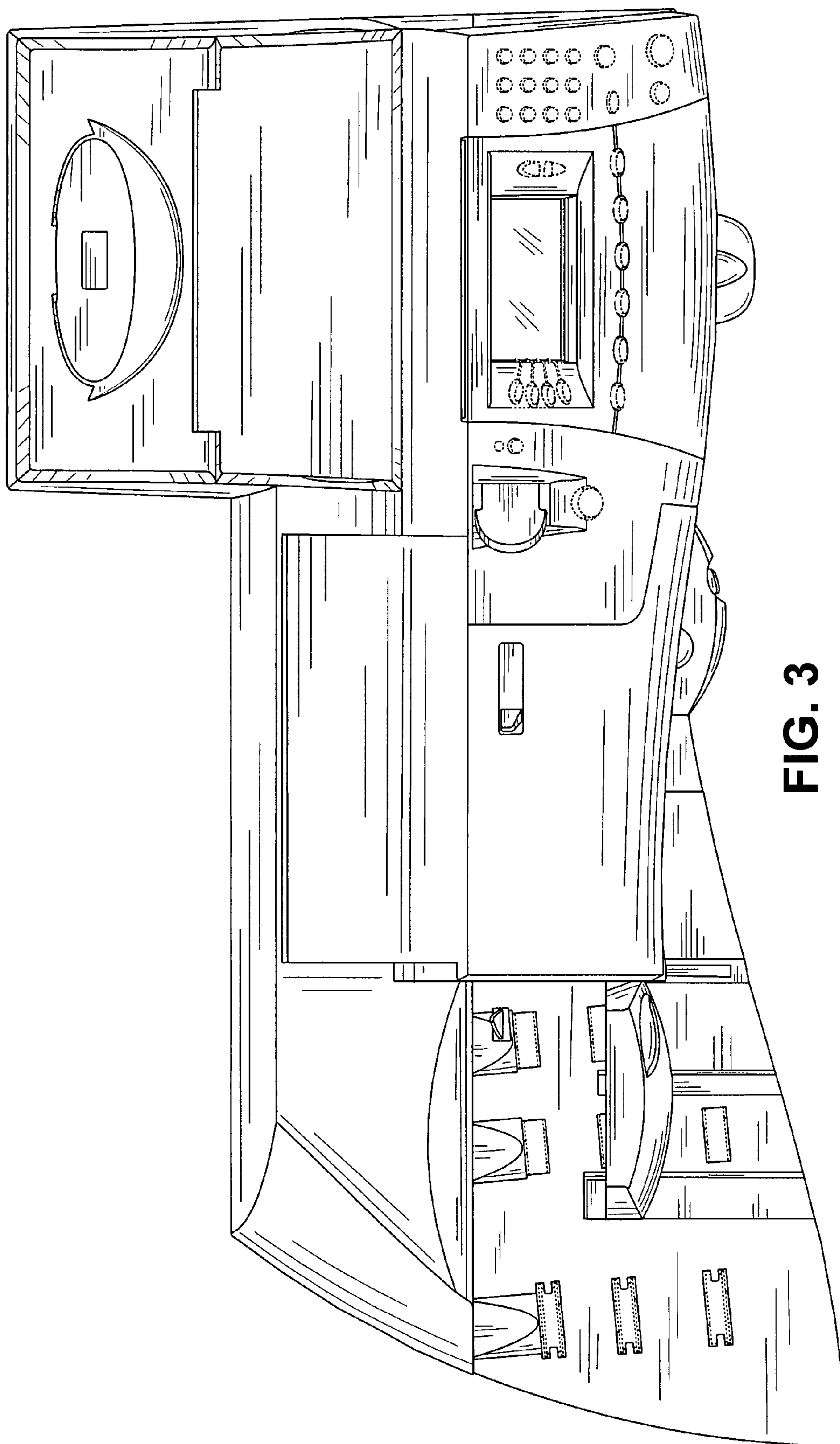


FIG. 3

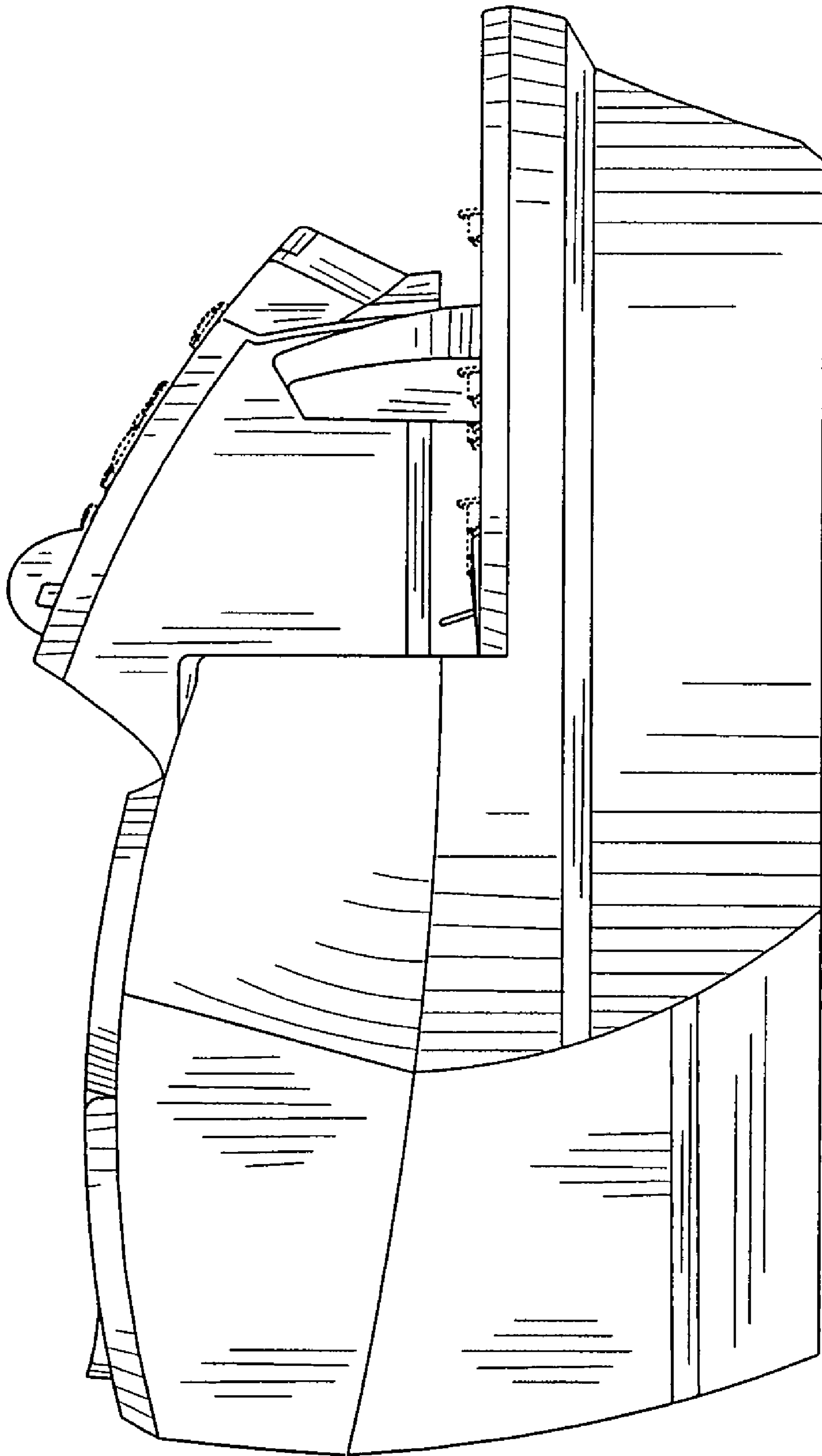


FIG. 4

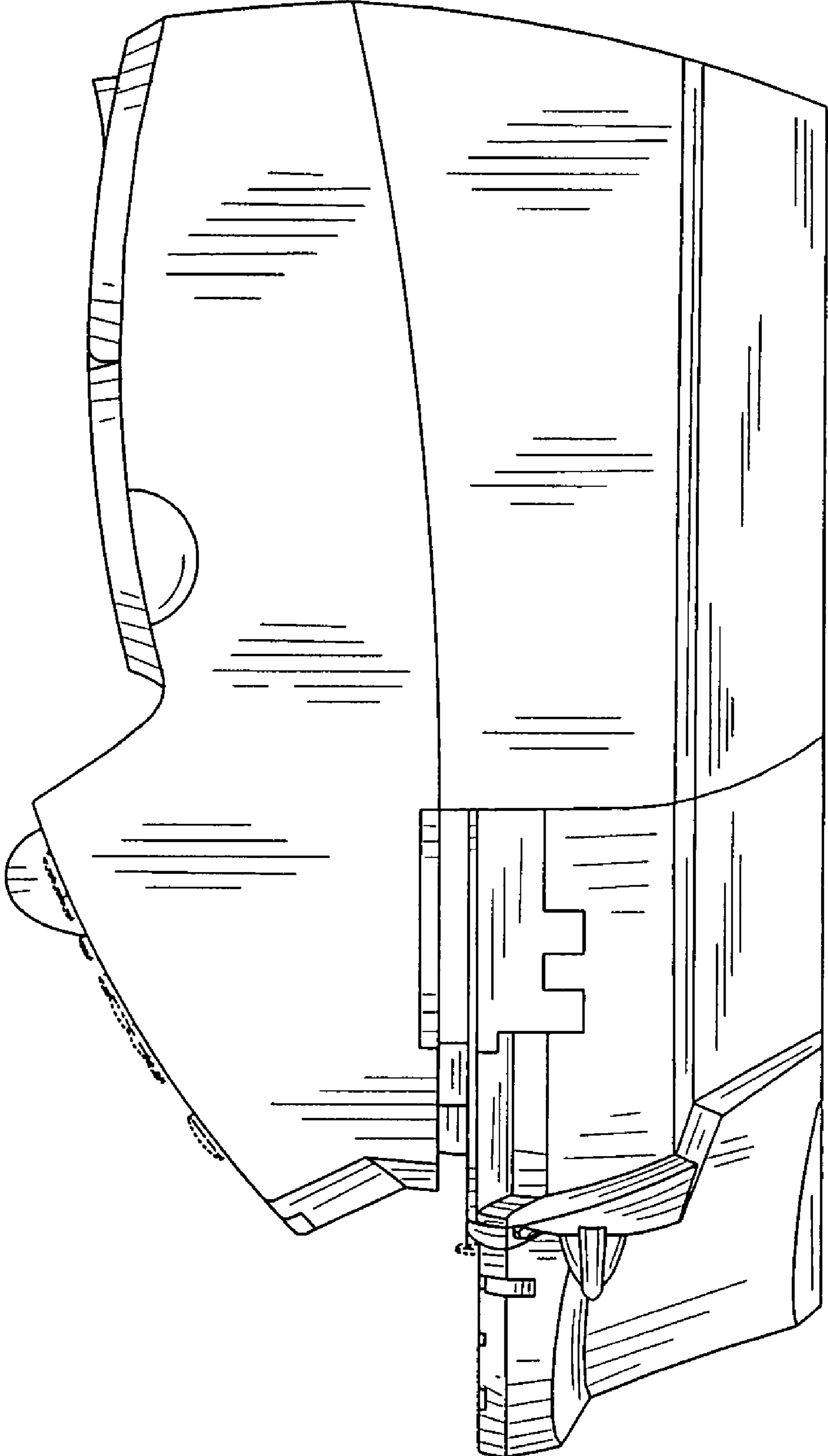


FIG. 5

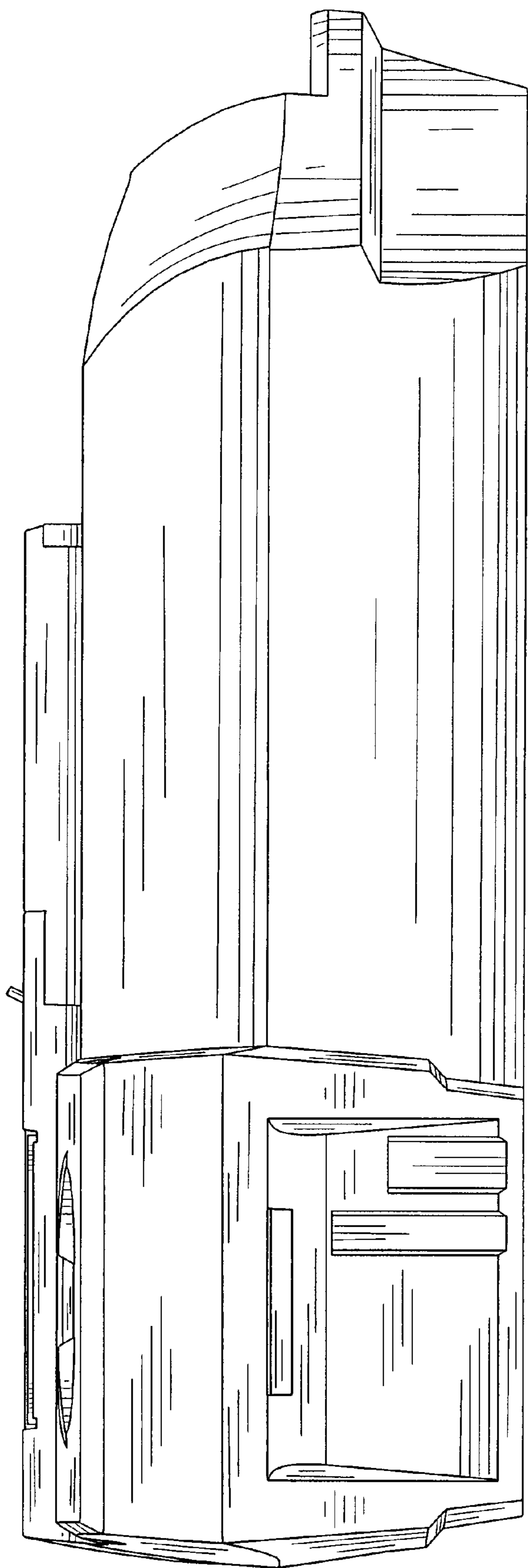


FIG. 6