



US00D602073S

(12) **United States Design Patent**
Holderfield et al.

(10) **Patent No.:** **US D602,073 S**
(45) **Date of Patent:** **** Oct. 13, 2009**

(54) **SHREDDER**

(75) Inventors: **Gregory James Holderfield**, Oak Park, IL (US); **Sebastien J. Labat**, Chicago, IL (US)

(73) Assignee: **Fellowes, Inc.**, Itasca, IL (US)

(**) Term: **14 Years**

(21) Appl. No.: **29/328,512**

(22) Filed: **Nov. 25, 2008**

Related U.S. Application Data

(62) Division of application No. 29/298,665, filed on Dec. 10, 2007, now Pat. No. Des. 583,859.

(51) **LOC (9) Cl.** **18-04**

(52) **U.S. Cl.** **D18/34.5**

(58) **Field of Classification Search** D18/34.1-34.9;
241/100, 236, 101.78, 36; 83/613, 614, 623,
83/485, 57-68; 164/468; 30/294, 296.1,
30/275.4, 276; D23/359

See application file for complete search history.

(56) **References Cited**

U.S. PATENT DOCUMENTS

- D435,060 S * 12/2000 Hung D18/34.4
- D454,907 S 3/2002 Ho
- D455,171 S 4/2002 Ho
- D498,253 S * 11/2004 Lo D18/34.6
- D502,961 S 3/2005 Lo
- 6,964,386 B2 11/2005 Ho
- D547,366 S 7/2007 Kent

- D555,716 S 11/2007 Chen
- D557,732 S * 12/2007 Ho D18/34.6
- D557,733 S * 12/2007 Ho D18/34.6
- D557,734 S * 12/2007 Ho D18/34.6
- D557,735 S 12/2007 Ho
- D558,257 S 12/2007 Joachim
- D583,859 S * 12/2008 Holderfield et al. D18/34.9

OTHER PUBLICATIONS

Color product information pages obtained from Internet: www.jinpex.cn, Jul. 1, 2007, 6 pages.

* cited by examiner

Primary Examiner—Charles A Rademaker

(74) *Attorney, Agent, or Firm*—Pillsbury Winthrop Shaw Pittman LLP

(57) **CLAIM**

The ornamental design for a shredder, as shown and described.

DESCRIPTION

FIG. 1 is a right side perspective view of a shredder showing our new design;

FIG. 2 is a left side perspective view of the shredder of FIG. 1;

FIG. 3 is a front elevation view of the shredder of FIG. 1;

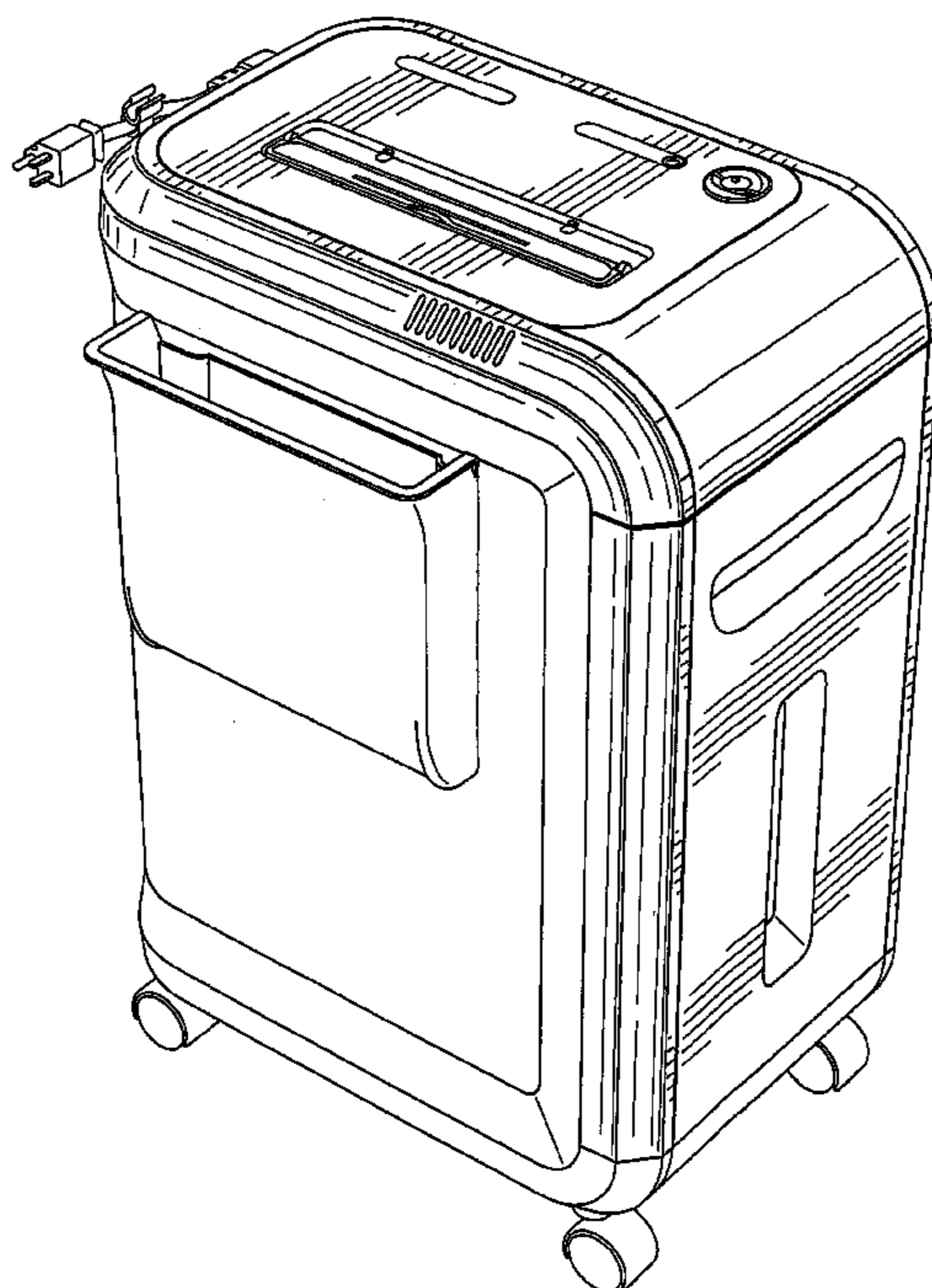
FIG. 4 is a top plan view of the shredder of FIG. 1;

FIG. 5 is a right profile view of the shredder of FIG. 1; and,

FIG. 6 is a left profile view of the shredder of FIG. 1.

The broken lines shown in the figure drawings illustrate structural environment and form no part of the claim.

1 Claim, 6 Drawing Sheets



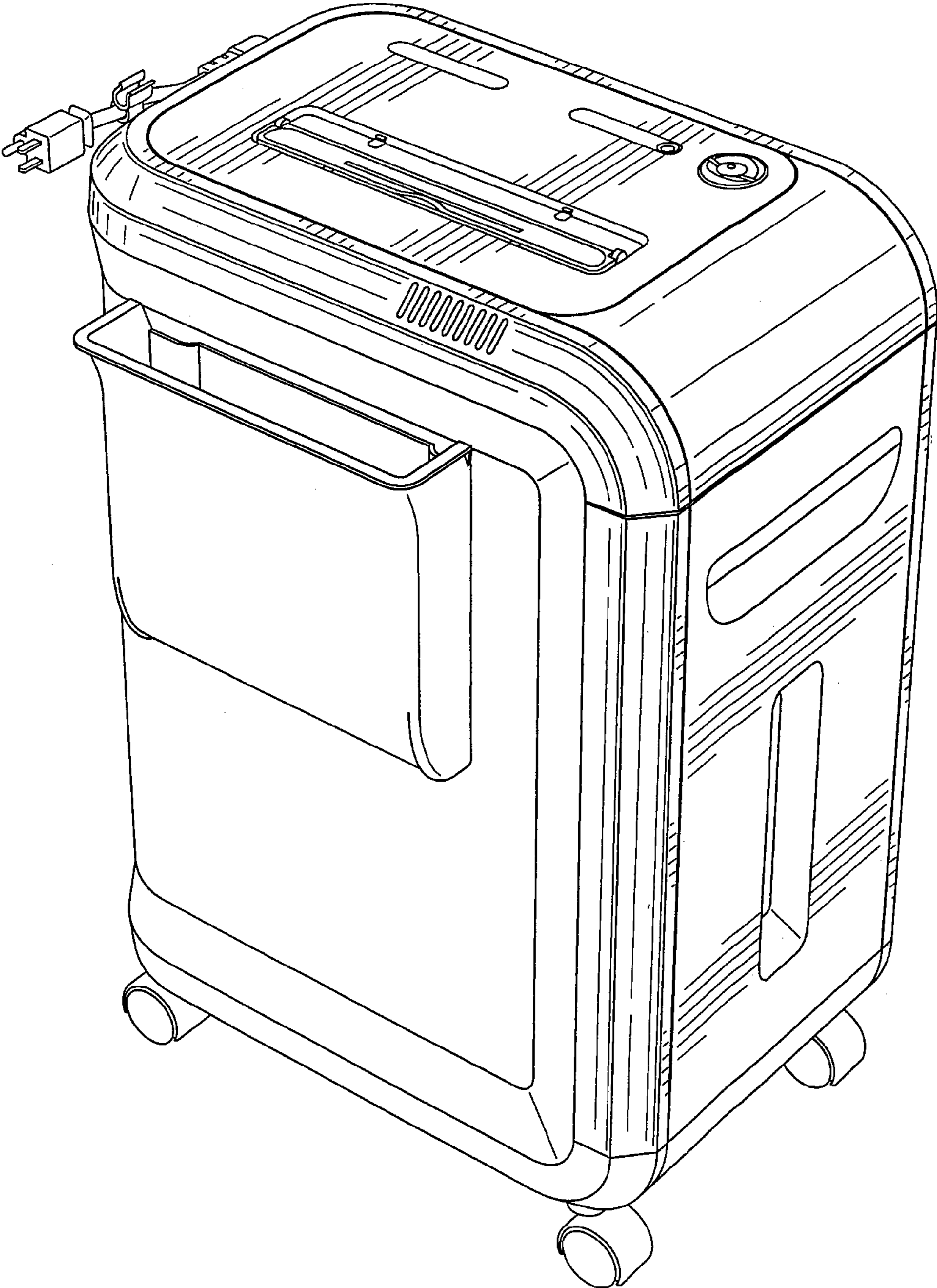


Fig. 1

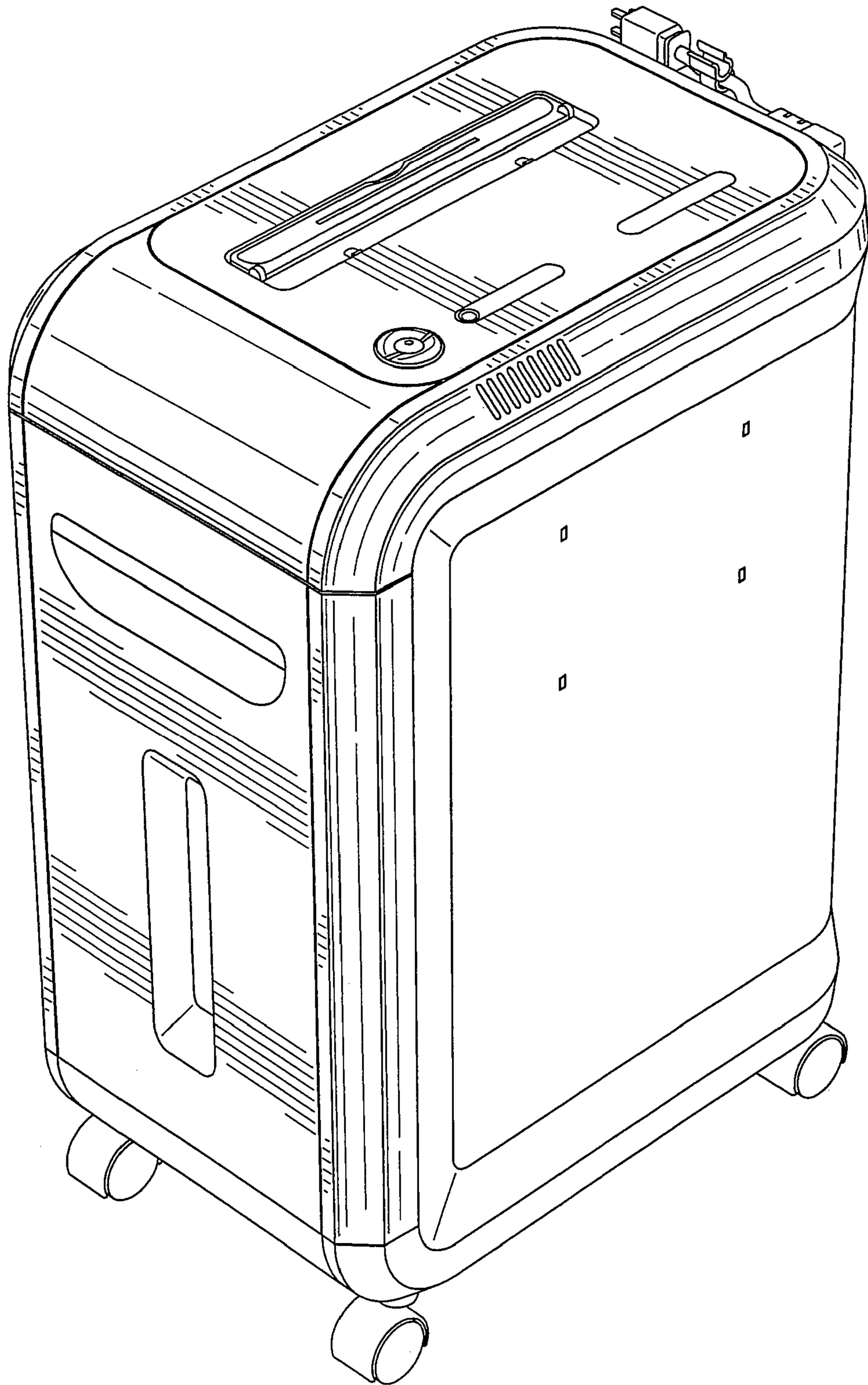


Fig. 2

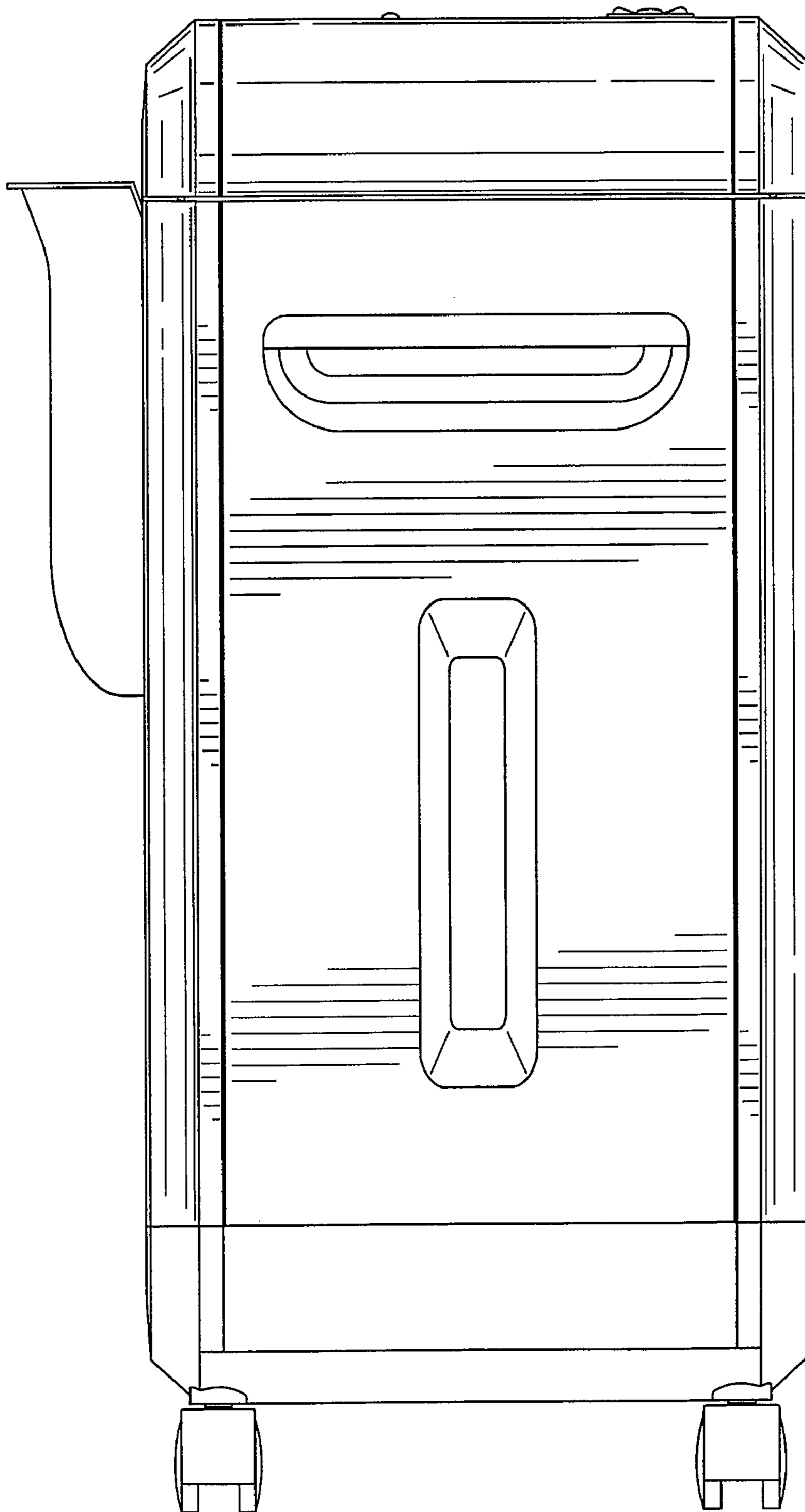


Fig. 3

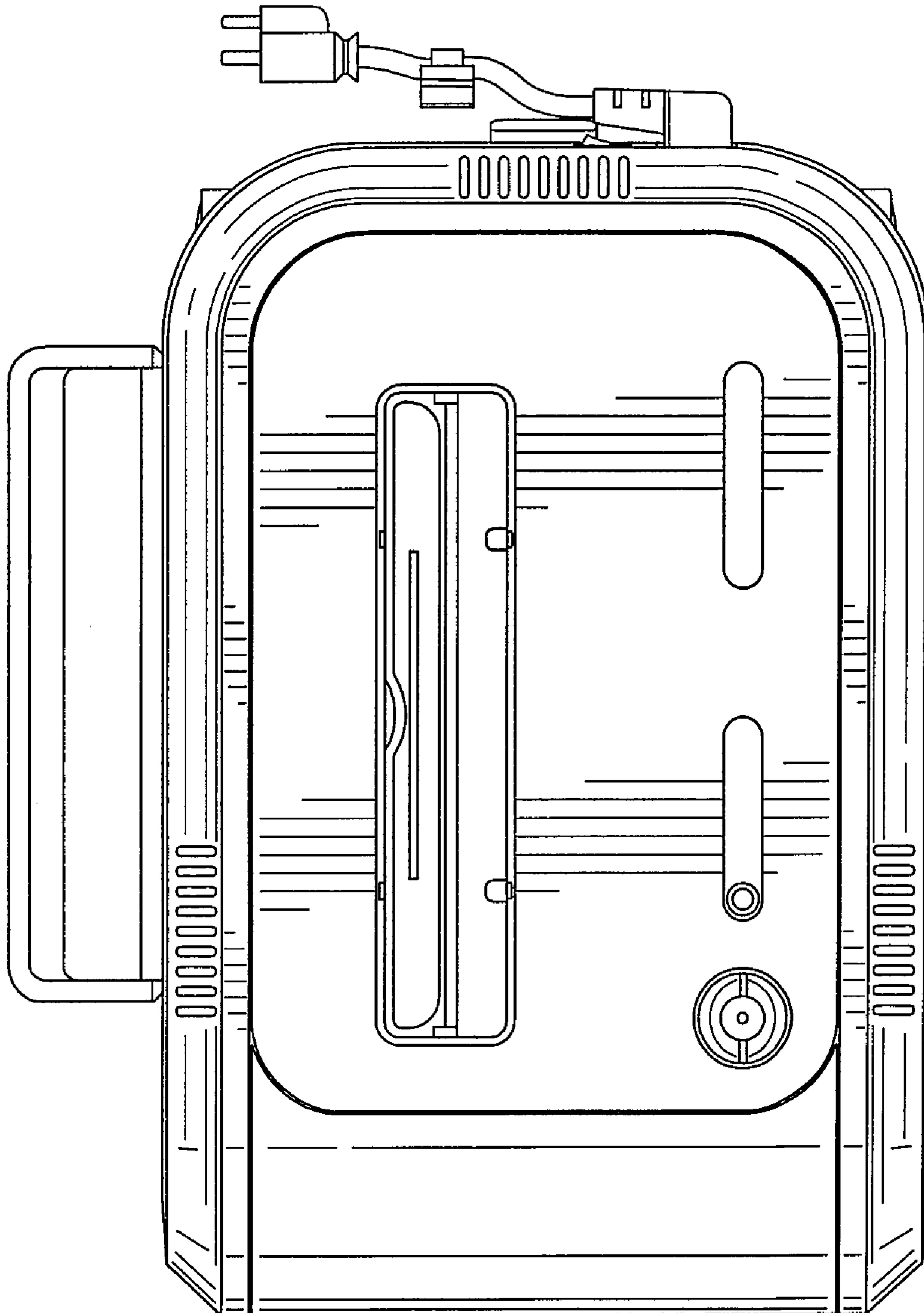


Fig. 4

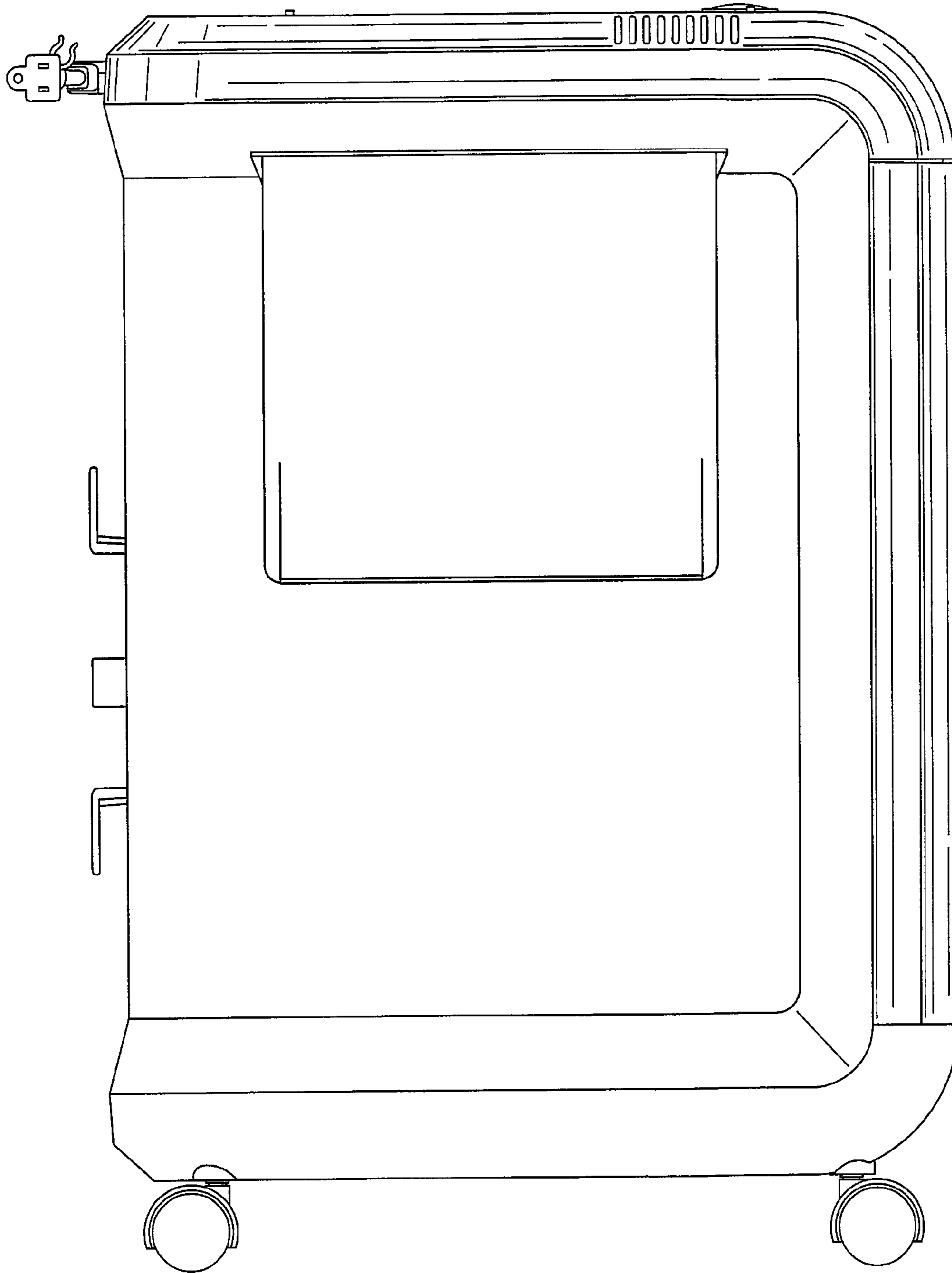


Fig. 5

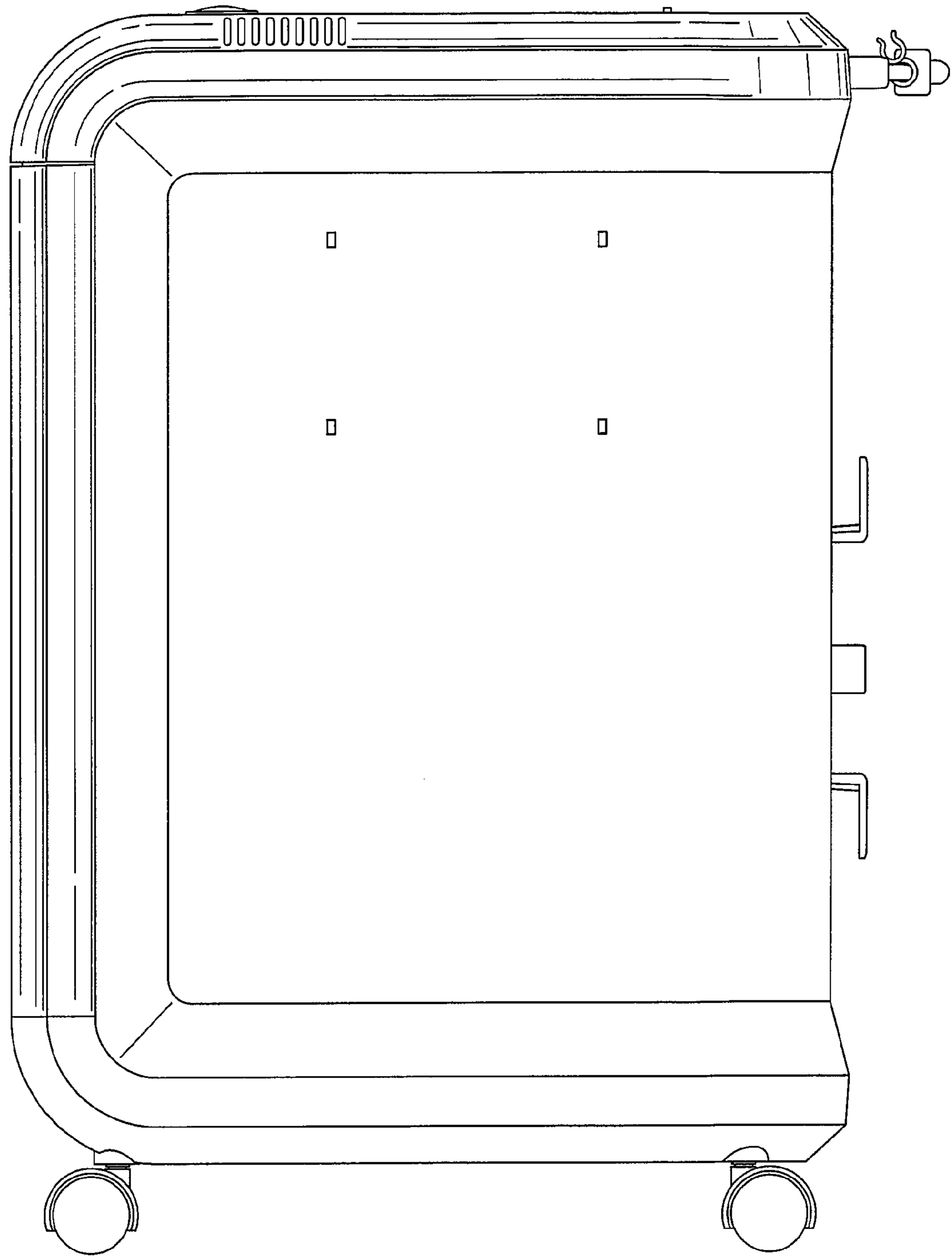


Fig. 6