



US00D602064S

(12) **United States Design Patent**  
**Mitsui et al.**

(10) **Patent No.:** **US D602,064 S**  
(45) **Date of Patent:** **\*\* Oct. 13, 2009**

(54) **DATA DISPLAY**

(75) Inventors: **Sei Mitsui**, Suita (JP); **Yasushi Tanijiri**,  
Osakasayama (JP); **Hiroshi Yamaguchi**,  
Suita (JP)

(73) Assignee: **Konica Minolta Holdings, Inc.**,  
Chiyoda-Ku, Tokyo (JP)

(\*\*) Term: **14 Years**

(21) Appl. No.: **29/297,223**

(22) Filed: **Nov. 7, 2007**

(30) **Foreign Application Priority Data**

May 11, 2007 (JP) ..... 2007-012418  
May 11, 2007 (JP) ..... 2007-012419

(51) **LOC (9) Cl.** ..... **14-03**

(52) **U.S. Cl.** ..... **D16/300; D14/126**

(58) **Field of Classification Search** ..... D14/125-134,  
D14/239, 371, 136, 374-377, 440, 450, 448,  
D14/336, 342; 312/7.2; 348/836, 838, 180,  
348/184, 325, 739; 341/12; 248/917-924,  
248/465; 345/104, 133, 156, 168, 87, 173;  
720/605, 669, 600, 655; 369/99, 197; 455/344,  
455/347; D21/329, 515, 577, 622, 333, 433,  
D21/448, 452, 450, 331; D6/477, 479, 300;  
273/148 B; 446/484, 175, 356; D10/15,  
D10/26; D16/300-340; 351/158, 41  
See application file for complete search history.

(56) **References Cited**

**U.S. PATENT DOCUMENTS**

D371,549 S \* 7/1996 Ronzani et al. .... D14/372  
D402,287 S \* 12/1998 Kawashima ..... D14/372

(Continued)

**OTHER PUBLICATIONS**

Slash Gear, "Wearable Holographic Display", Oct. 9, 2006, 2 pages.  
"My Vu Personal Media Viewer", OSNews, MicroOptical, Sep. 29,  
2006, 3 pages.

"SV-6 Viewer", Catalog of the MicroOptical Corporation, 2005, 2  
pages.

"Data Glass 2/A User's Manual", Shimadzu Corporation, 2004, 5  
pages.

*Primary Examiner*—Raphael Barkai

(74) *Attorney, Agent, or Firm*—Buchanan Ingersoll &  
Rooney PC

(57) **CLAIM**

the ornamental design for a data display, as shown and  
described.

**DESCRIPTION**

FIG. 1 is a perspective view of a data display showing a first  
embodiment of our new design;

FIG. 2 is a front view thereof;

FIG. 3 is a rear view thereof;

FIG. 4 is a left side view thereof;

FIG. 5 is a right side view thereof;

FIG. 6 is a top view thereof;

FIG. 7 is a bottom view thereof;

FIG. 8 is a perspective view showing a data display which is  
folded;

FIG. 9 is a perspective view of a data display showing a  
second embodiment of our new design;

FIG. 10 is a front view thereof;

FIG. 11 is a rear view thereof;

FIG. 12 is a left side view thereof;

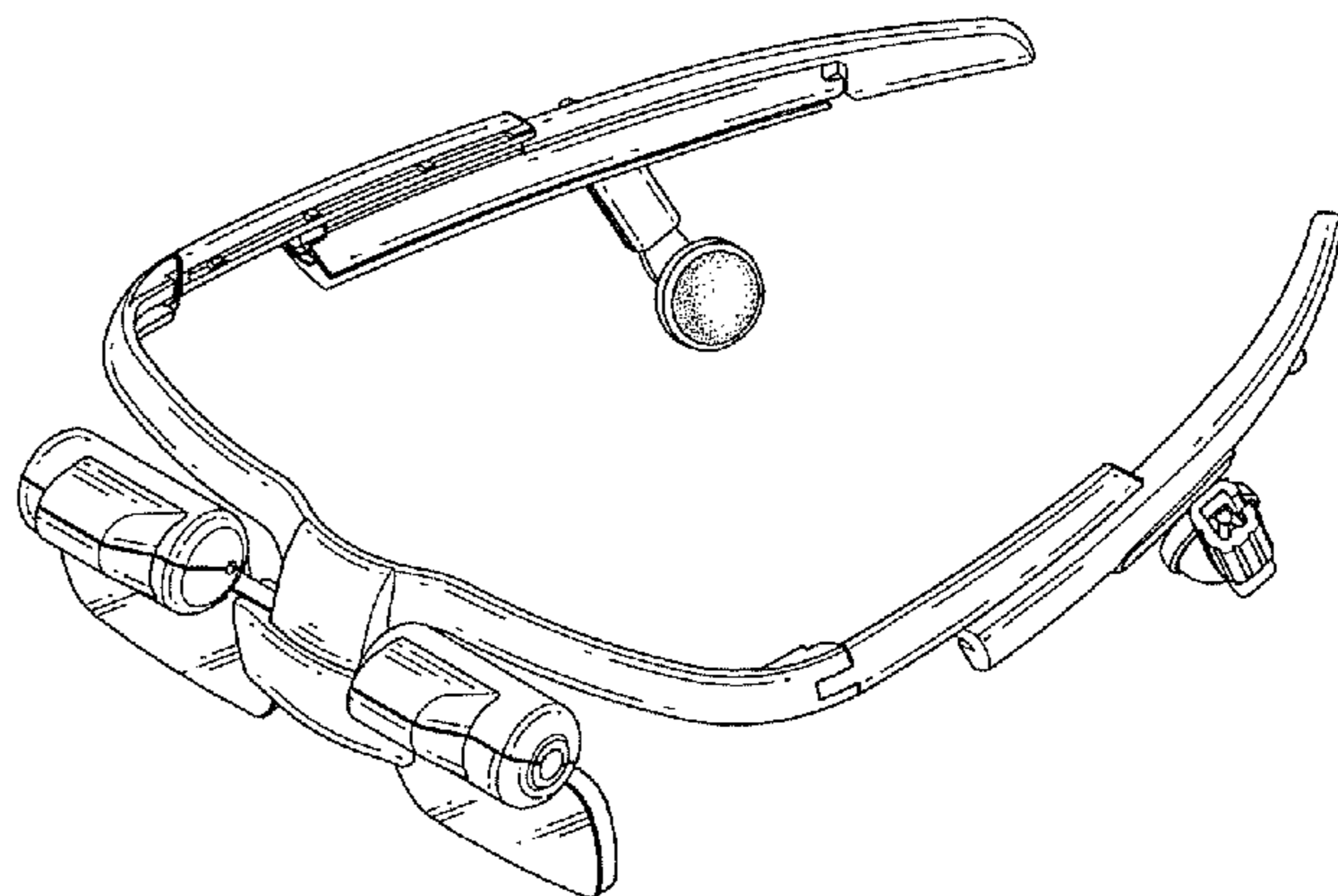
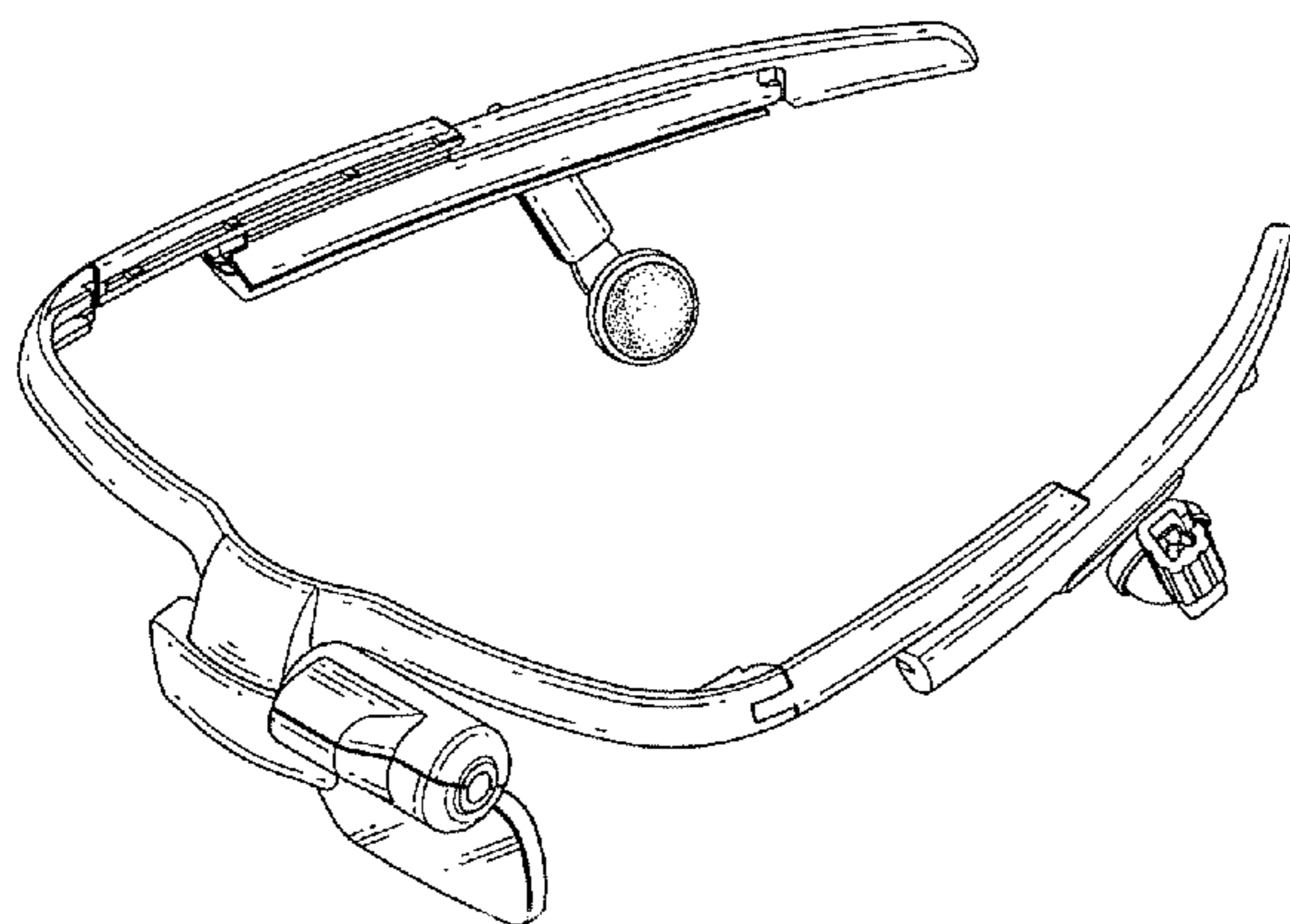
FIG. 13 is a right side view thereof;

FIG. 14 is a top view thereof;

FIG. 15 is a bottom view thereof; and,

FIG. 16 is a perspective view showing a data display which is  
folded.

**1 Claim, 9 Drawing Sheets**



# US D602,064 S

Page 2

---

## U.S. PATENT DOCUMENTS

D402,651 S *	12/1998	Depay et al. ....	D14/372	6,351,252 B1 *	2/2002	Atsumi et al. ....	345/8
D431,042 S *	9/2000	Lin .....	D16/304	D458,287 S *	6/2002	Huang .....	D16/135
D436,960 S *	1/2001	Budd et al. ....	D14/372	6,762,885 B1 *	7/2004	Ogasawara et al. ....	345/8
D441,388 S *	5/2001	Lightman .....	D16/300	D546,866 S *	7/2007	Yang .....	D16/309
6,278,501 B1 *	8/2001	Lin .....	351/41	D582,957 S *	12/2008	Moritz .....	D16/309
				D591,326 S *	4/2009	Travers et al. ....	D16/300

\* cited by examiner

Fig. 1

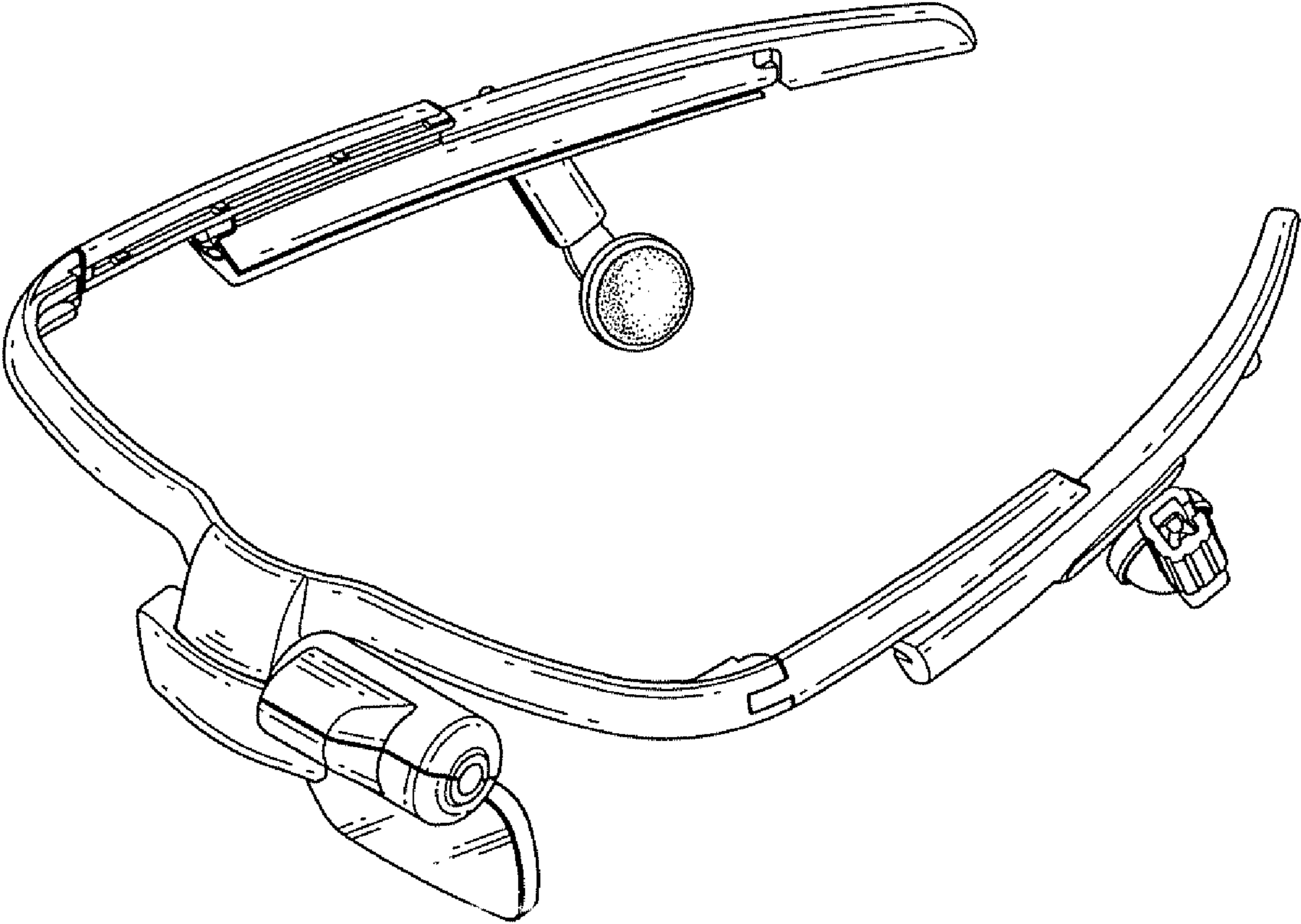


Fig.2

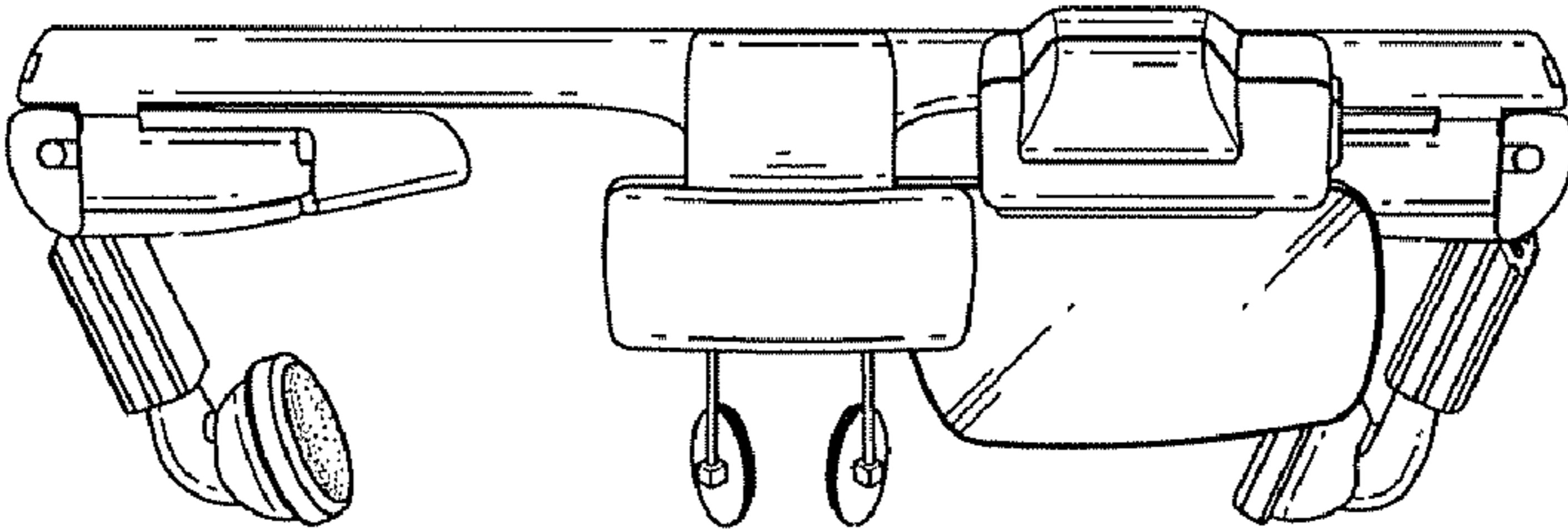


Fig.3

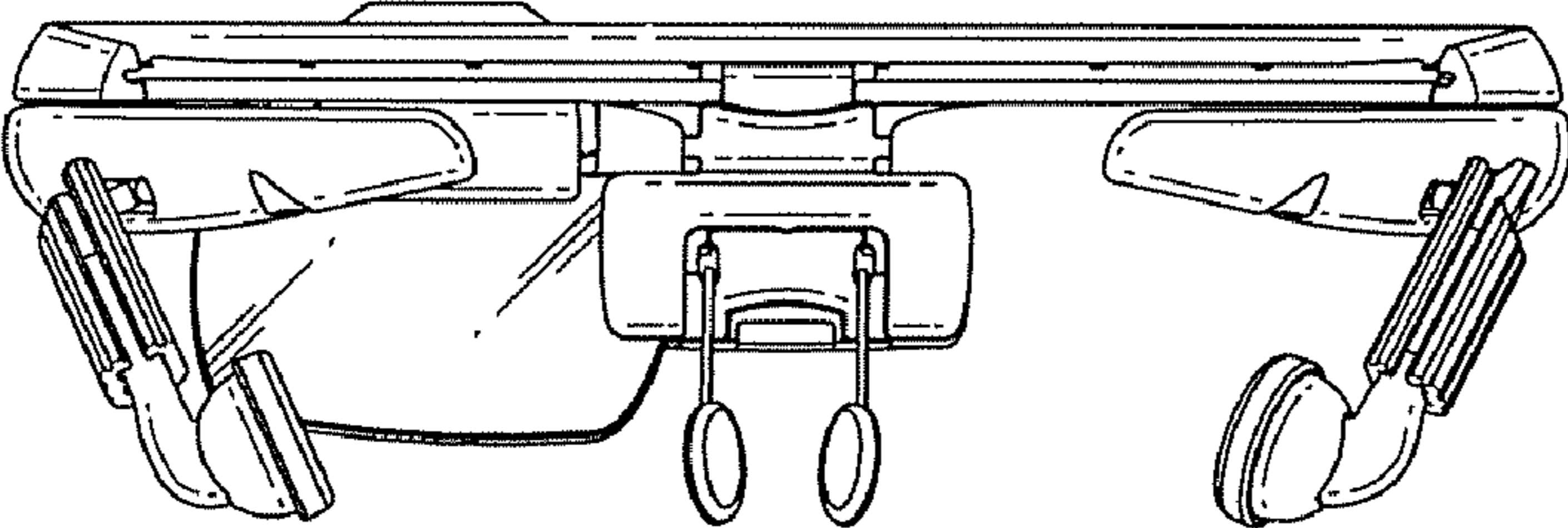


Fig.4

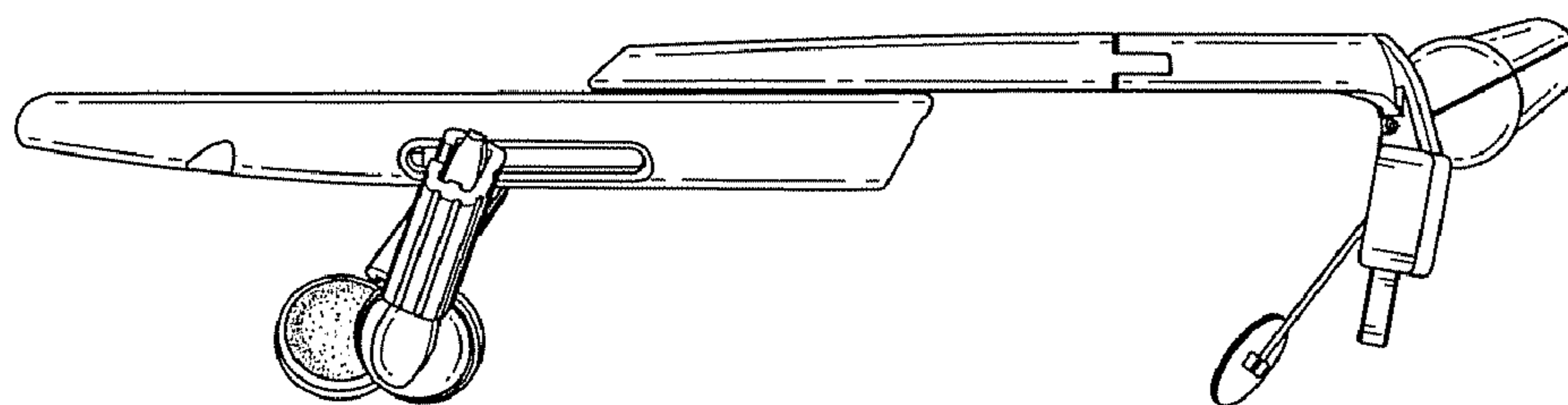


Fig.5

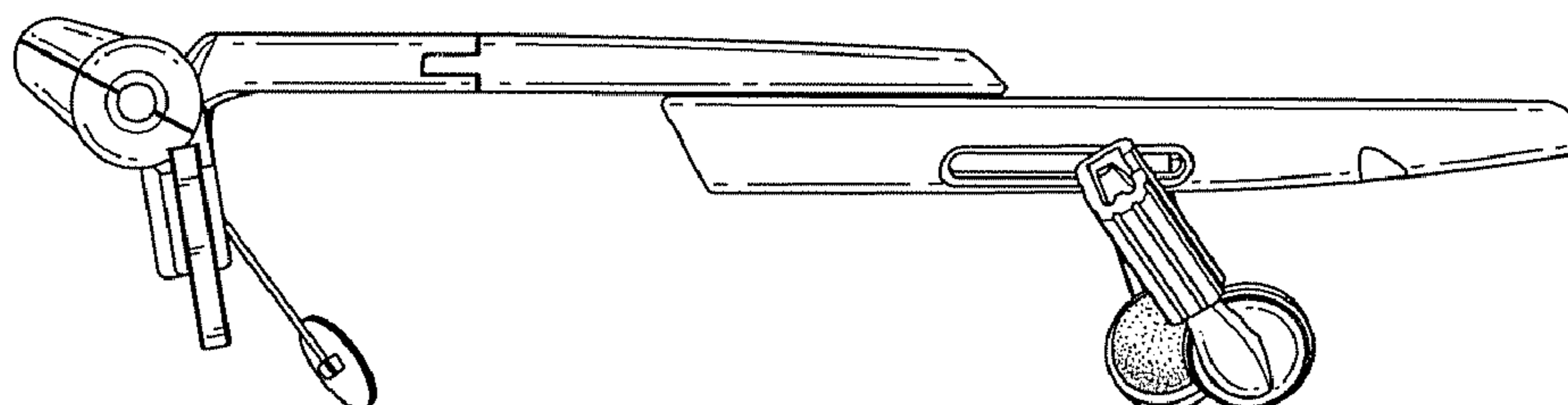




Fig.6

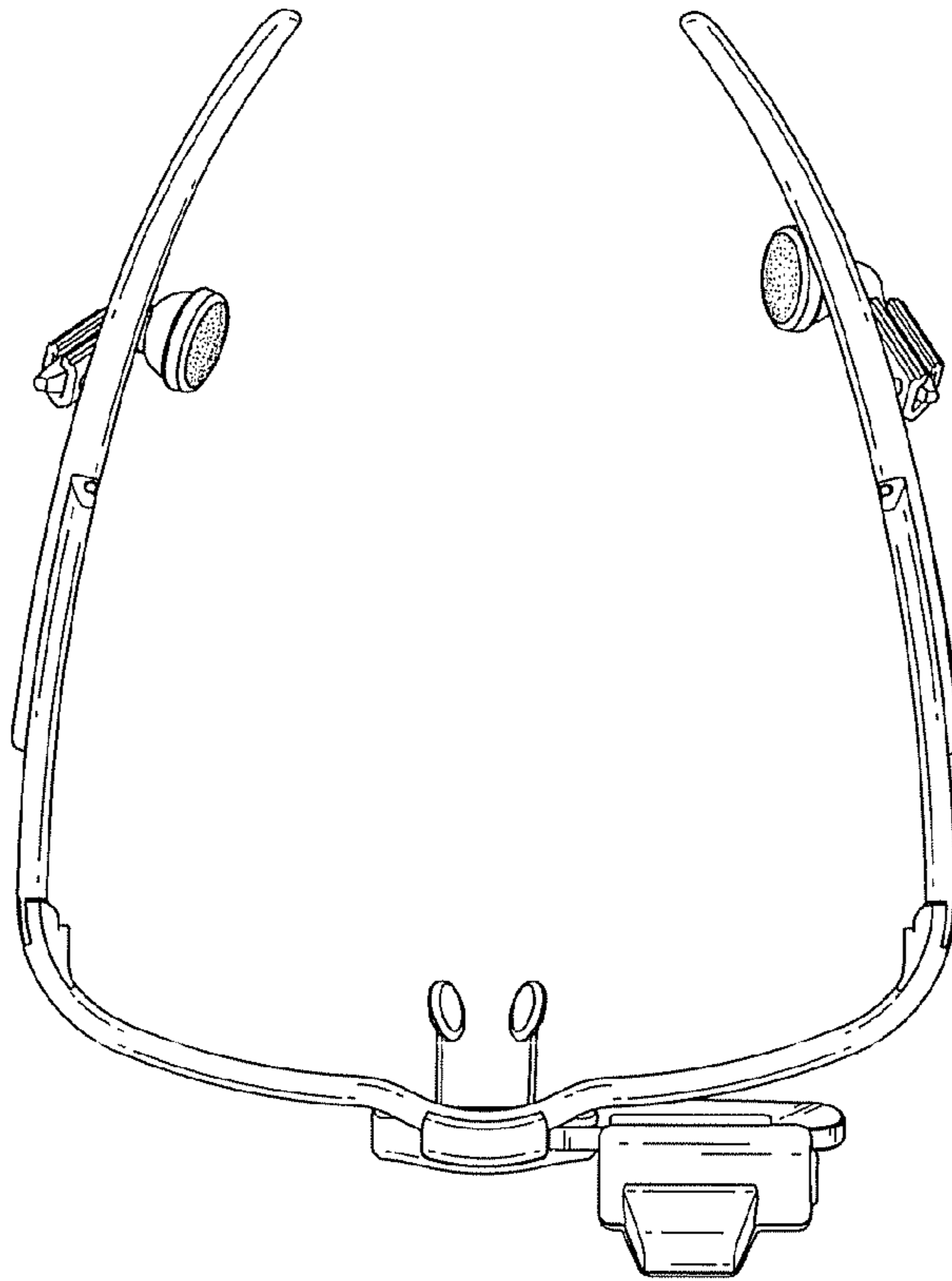


Fig.7

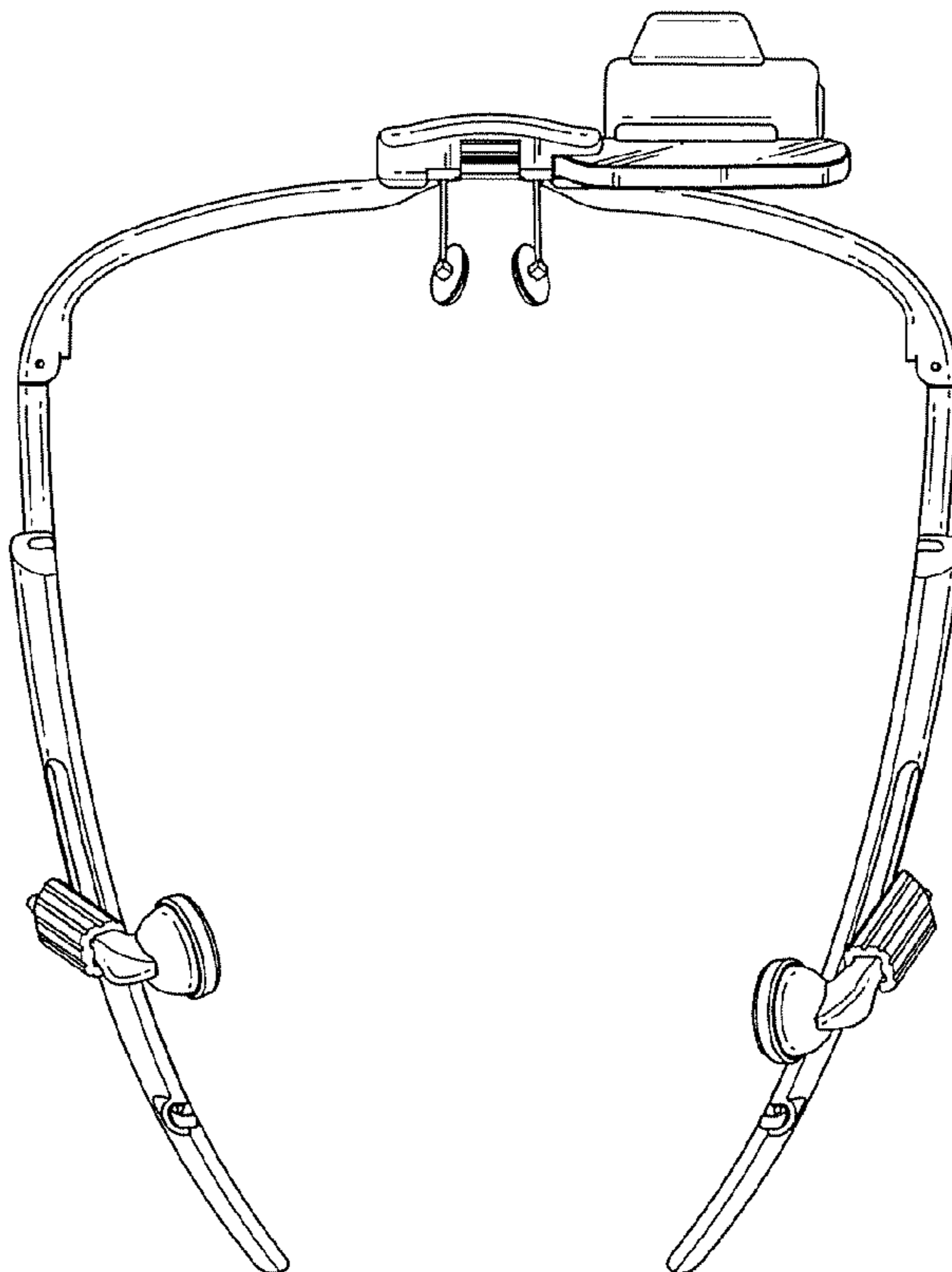


Fig.8

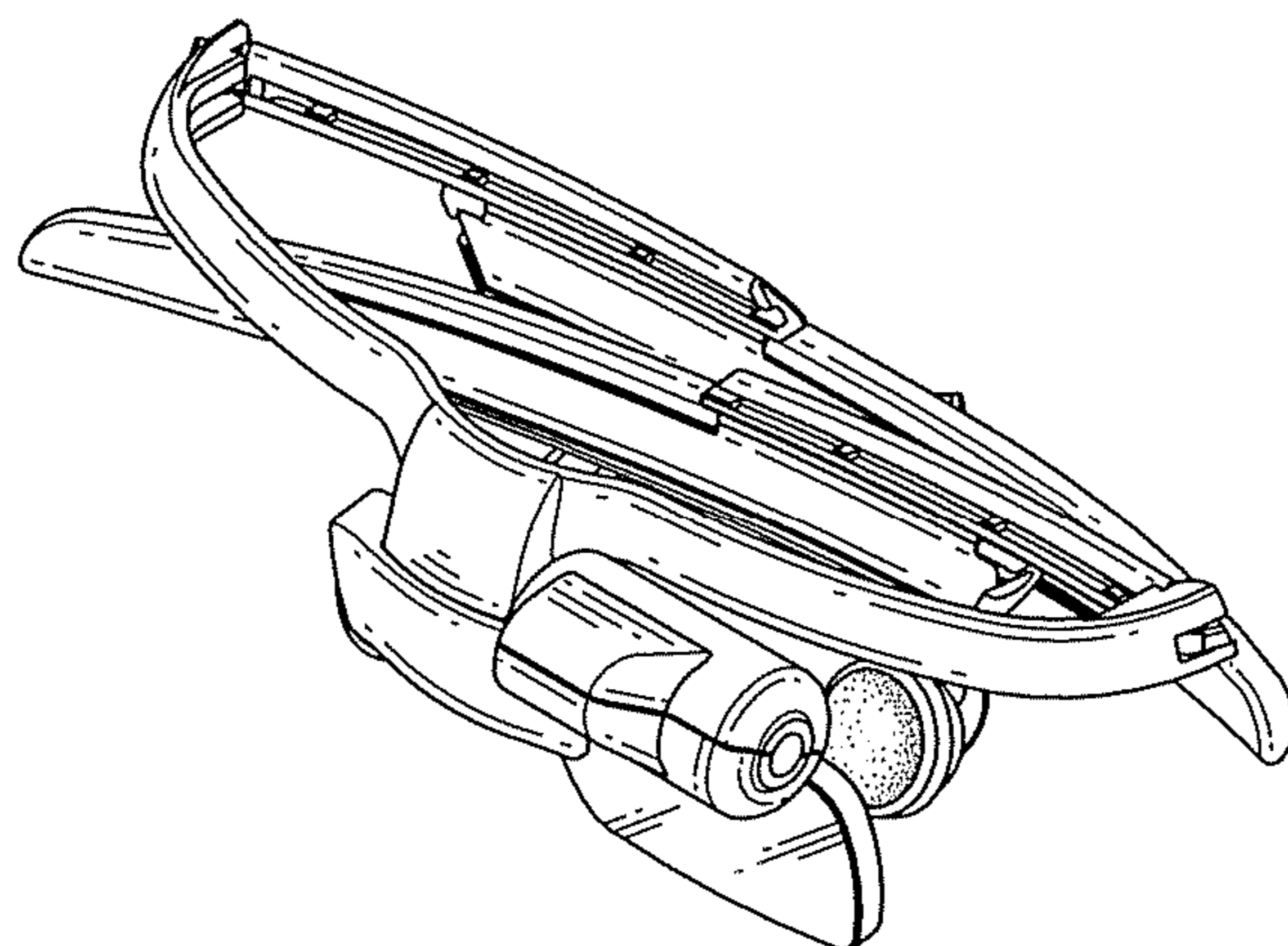


Fig.9

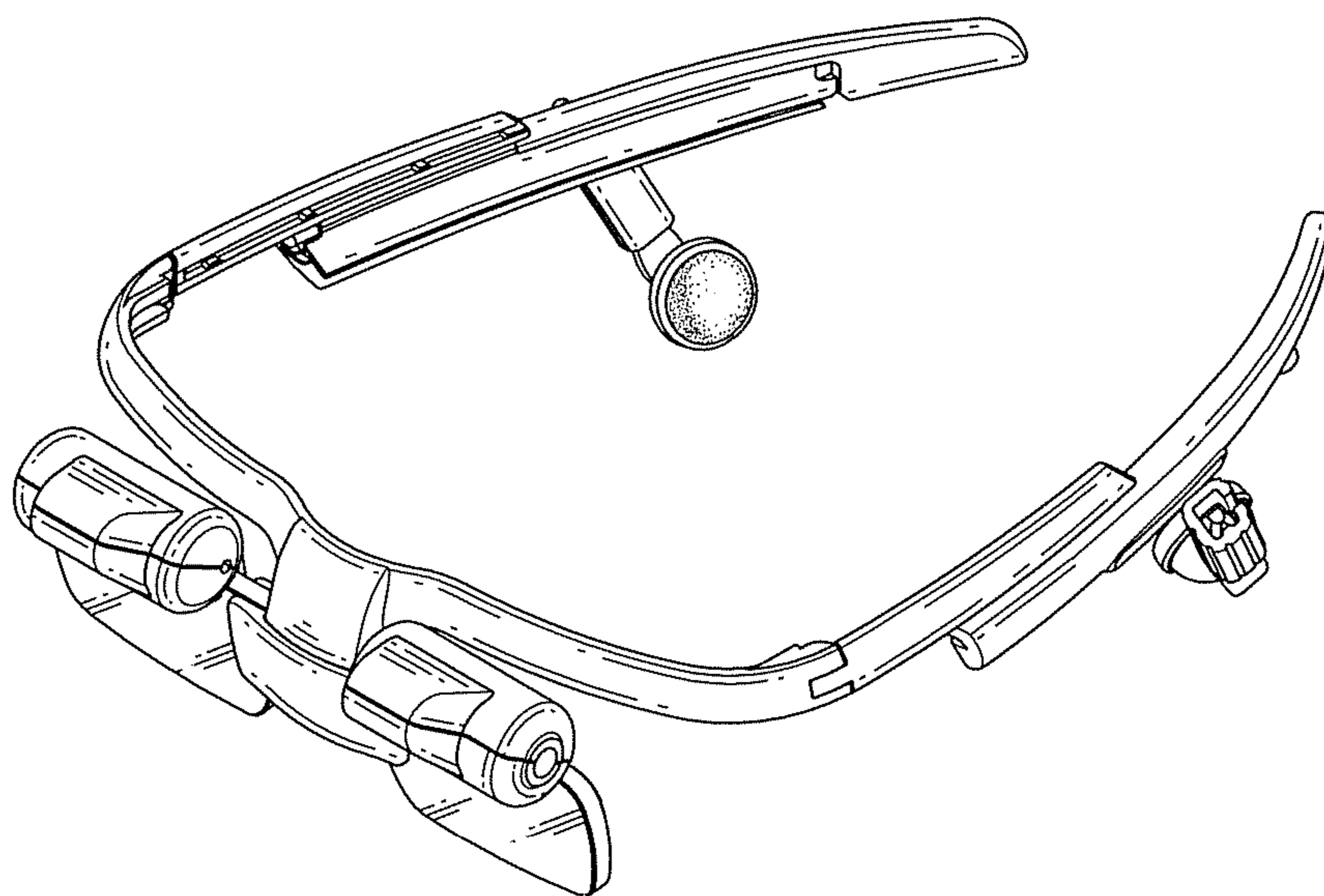


Fig.10

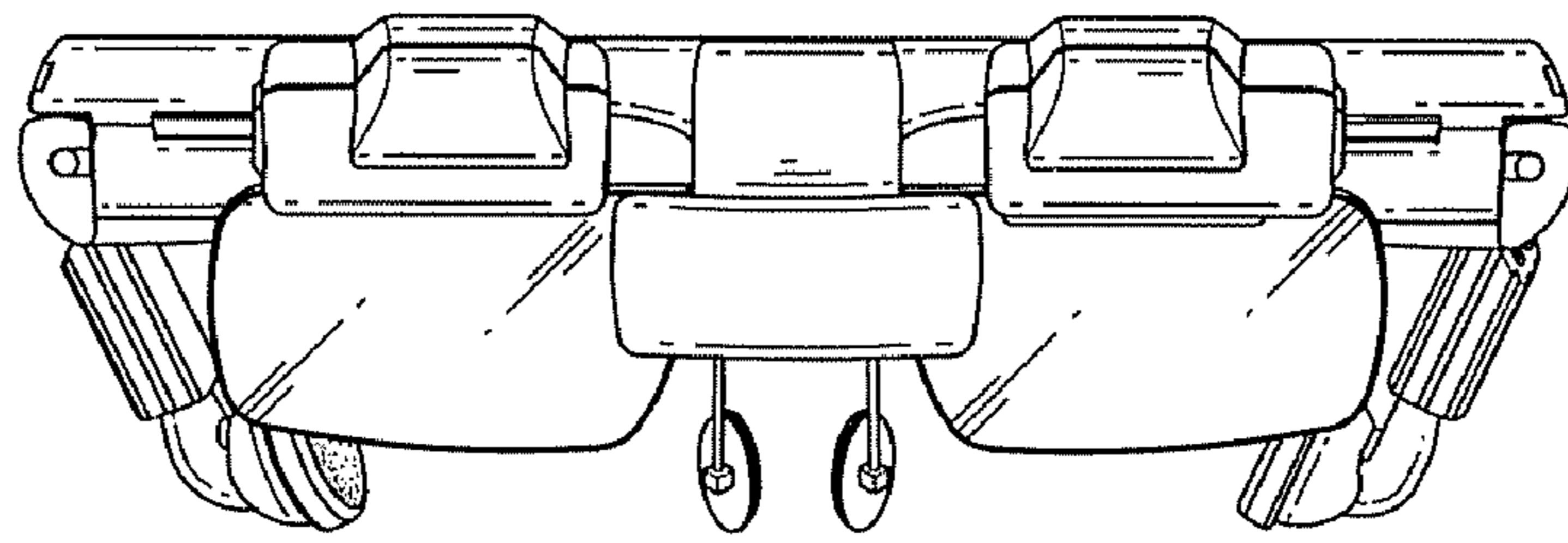


Fig.11

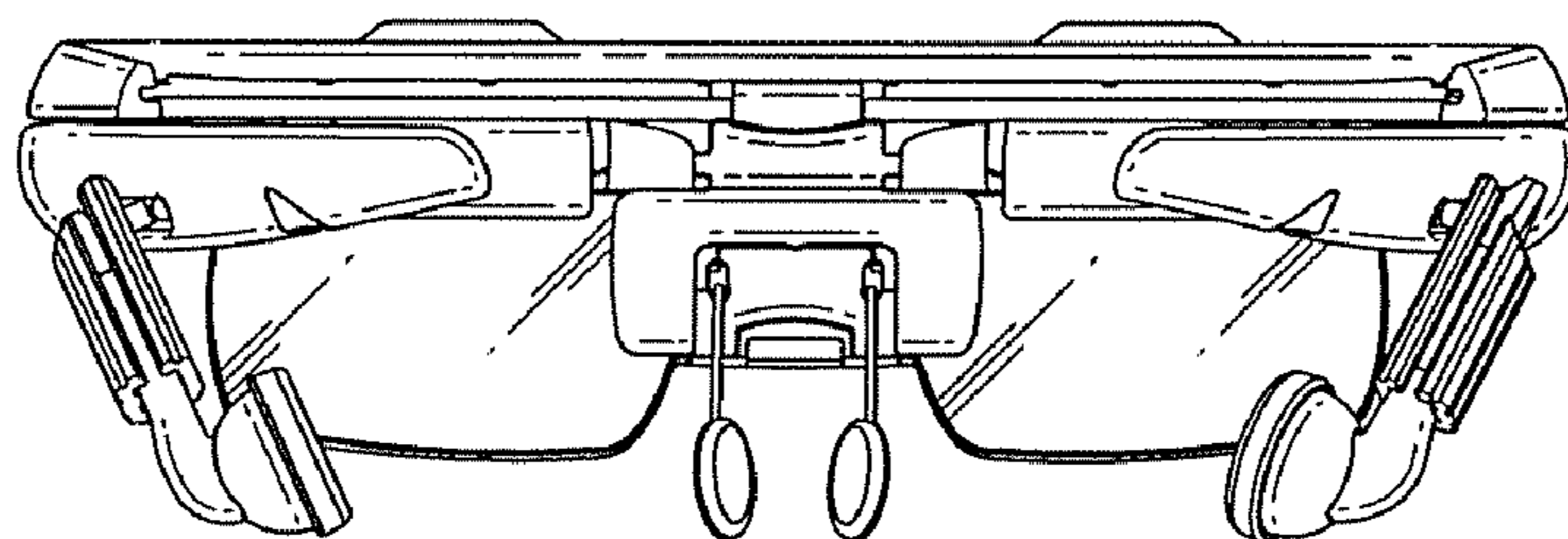




Fig.12

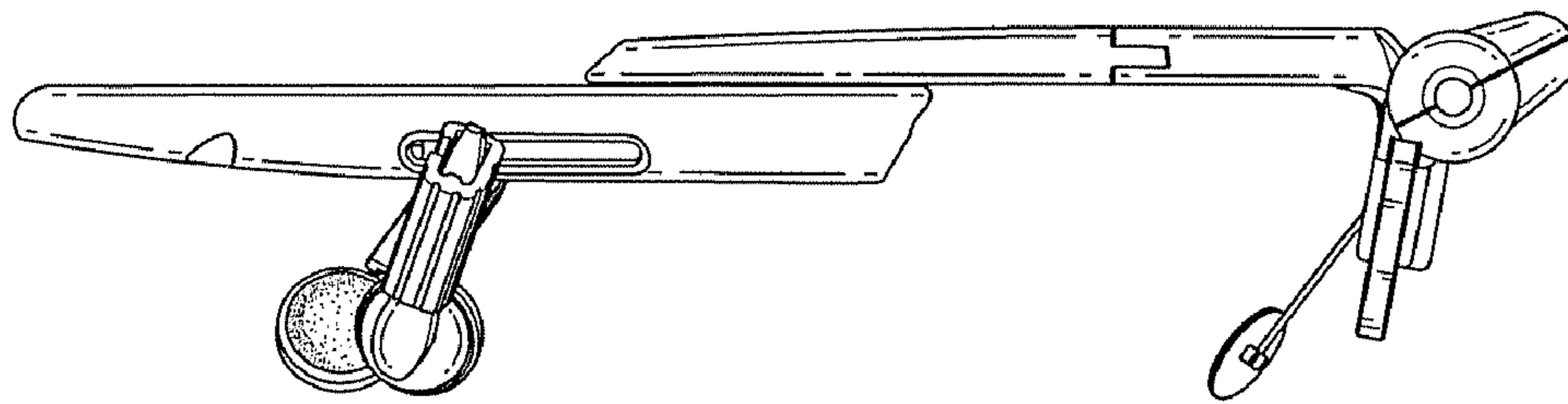


Fig.13

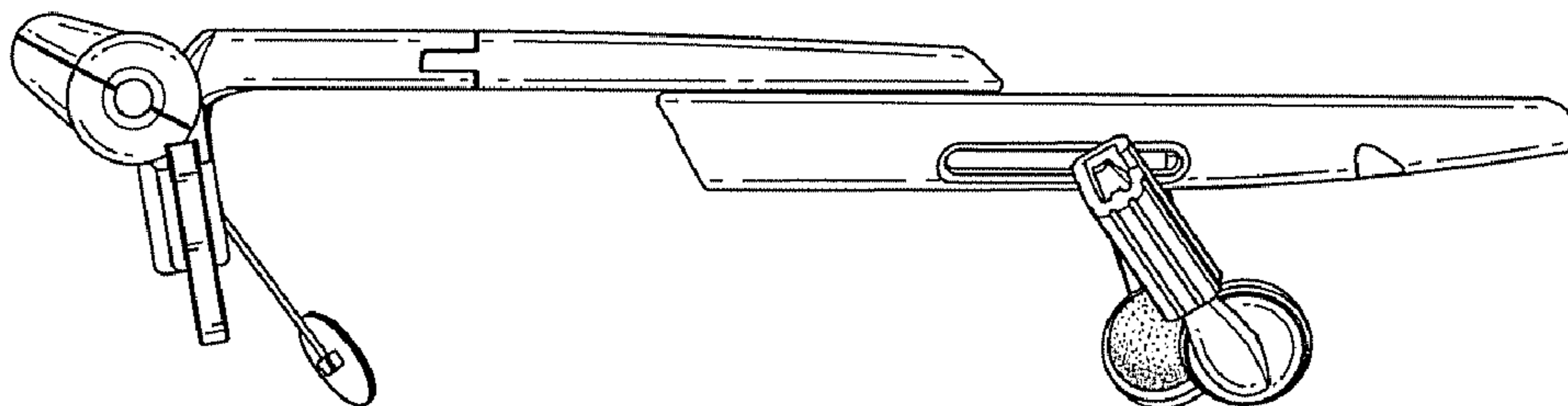


Fig.14

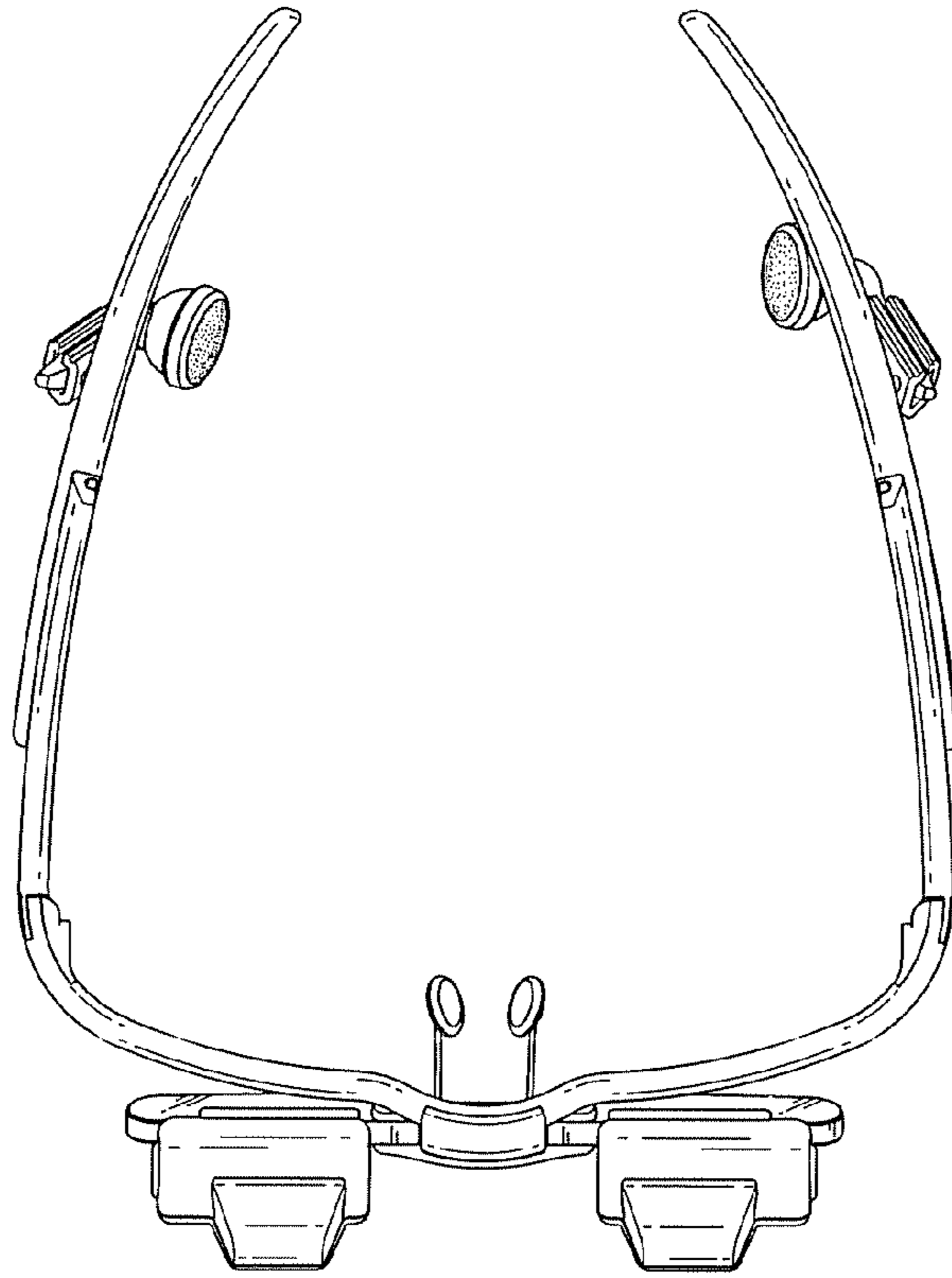


Fig.15

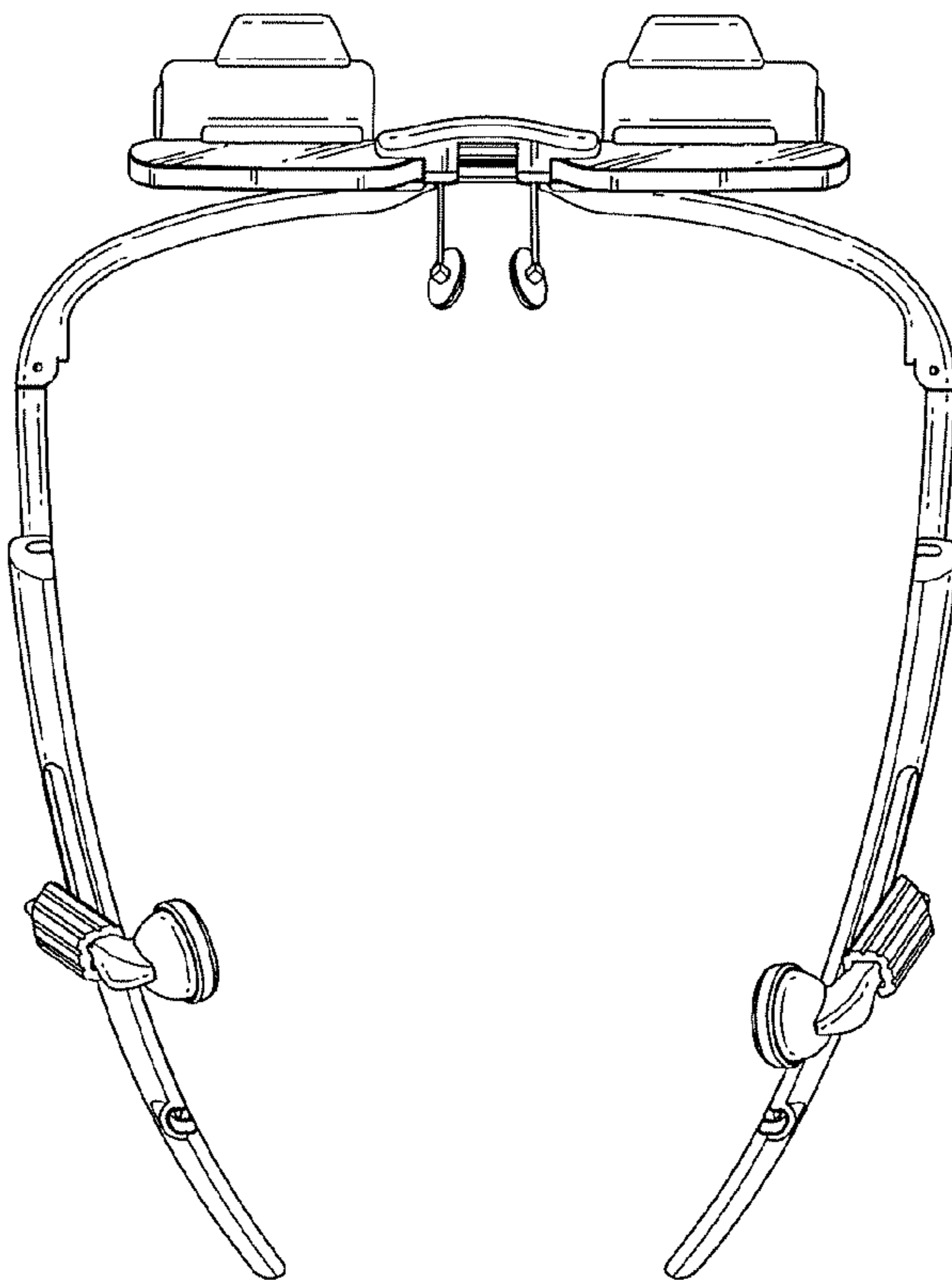


Fig. 16

