



US00D602063S

(12) **United States Design Patent**
Su

(10) **Patent No.:** **US D602,063 S**
(45) **Date of Patent:** **** Oct. 13, 2009**

(54) **DOCUMENT CAMERA**

(75) Inventor: **June-Yi Su**, Tainan (TW)

(73) Assignee: **Quanta Computer Inc.**, Tao Yuan Shien (TW)

(**) Term: **14 Years**

(21) Appl. No.: **29/309,935**

(22) Filed: **Nov. 14, 2008**

(30) **Foreign Application Priority Data**

Sep. 4, 2008 (TW) 97305109

(51) **LOC (9) Cl.** **16-02**

(52) **U.S. Cl.** **D16/232**; D14/423; D16/208

(58) **Field of Classification Search** D14/423;
D16/200, 208, 221, 225, 232; 348/373, 376;
396/430, 431

See application file for complete search history.

(56) **References Cited**

U.S. PATENT DOCUMENTS

D305,228 S * 12/1989 Allgeier D14/423

D325,027 S * 3/1992 Wallace et al. D14/423

5,374,971 A * 12/1994 Clapp et al. 348/376
6,496,244 B2 * 12/2002 Tseng et al. 348/373
D476,008 S * 6/2003 Adachi et al. D14/423
7,245,441 B2 * 7/2007 Wu et al. 396/430
D580,962 S * 11/2008 Sukenari et al. D16/232

* cited by examiner

Primary Examiner—Adir Aronovich
(74) *Attorney, Agent, or Firm*—Rabin & Berdo, PC

(57) **CLAIM**

The ornamental design for a document camera, as shown.

DESCRIPTION

FIG. 1 is a perspective view of a document camera showing my new design;

FIG. 2 is a front elevational view thereof;

FIG. 3 is a rear elevational view thereof;

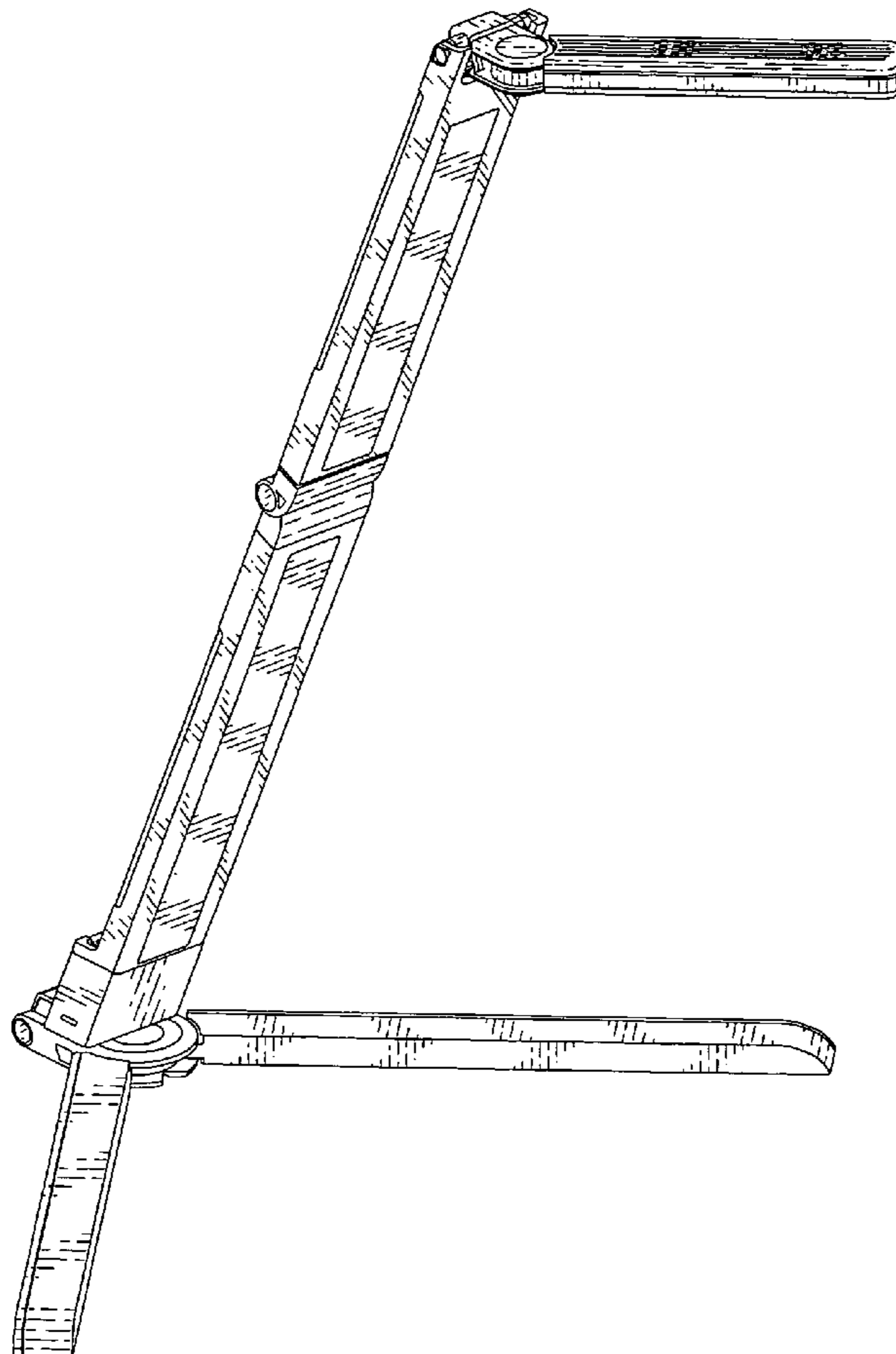
FIG. 4 is a left side elevational view thereof;

FIG. 5 is a left side elevational view thereof;

FIG. 6 is a top plan view thereof; and,

FIG. 7 is a bottom plan view thereof.

1 Claim, 6 Drawing Sheets



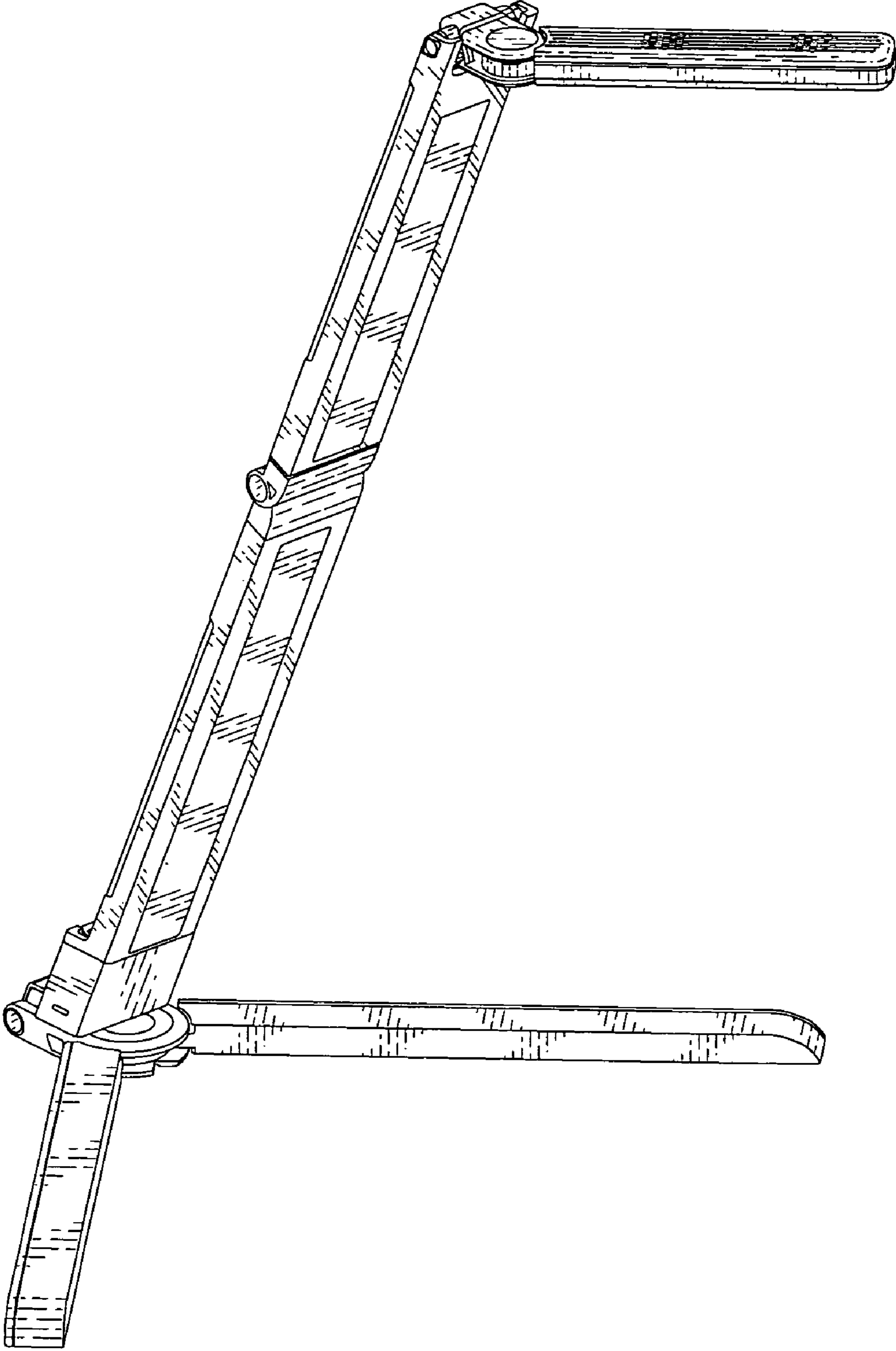


FIG. 1

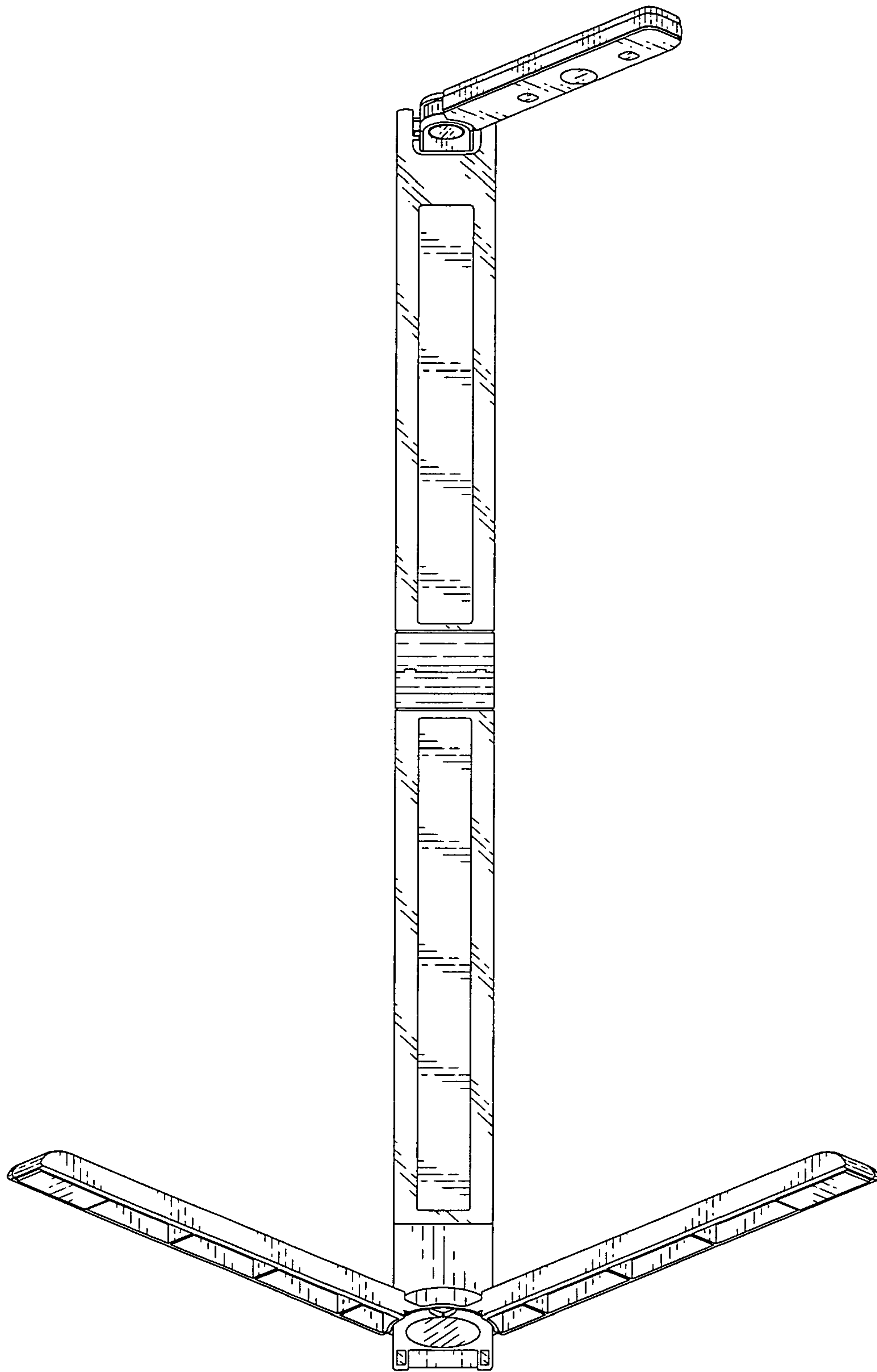


FIG. 2

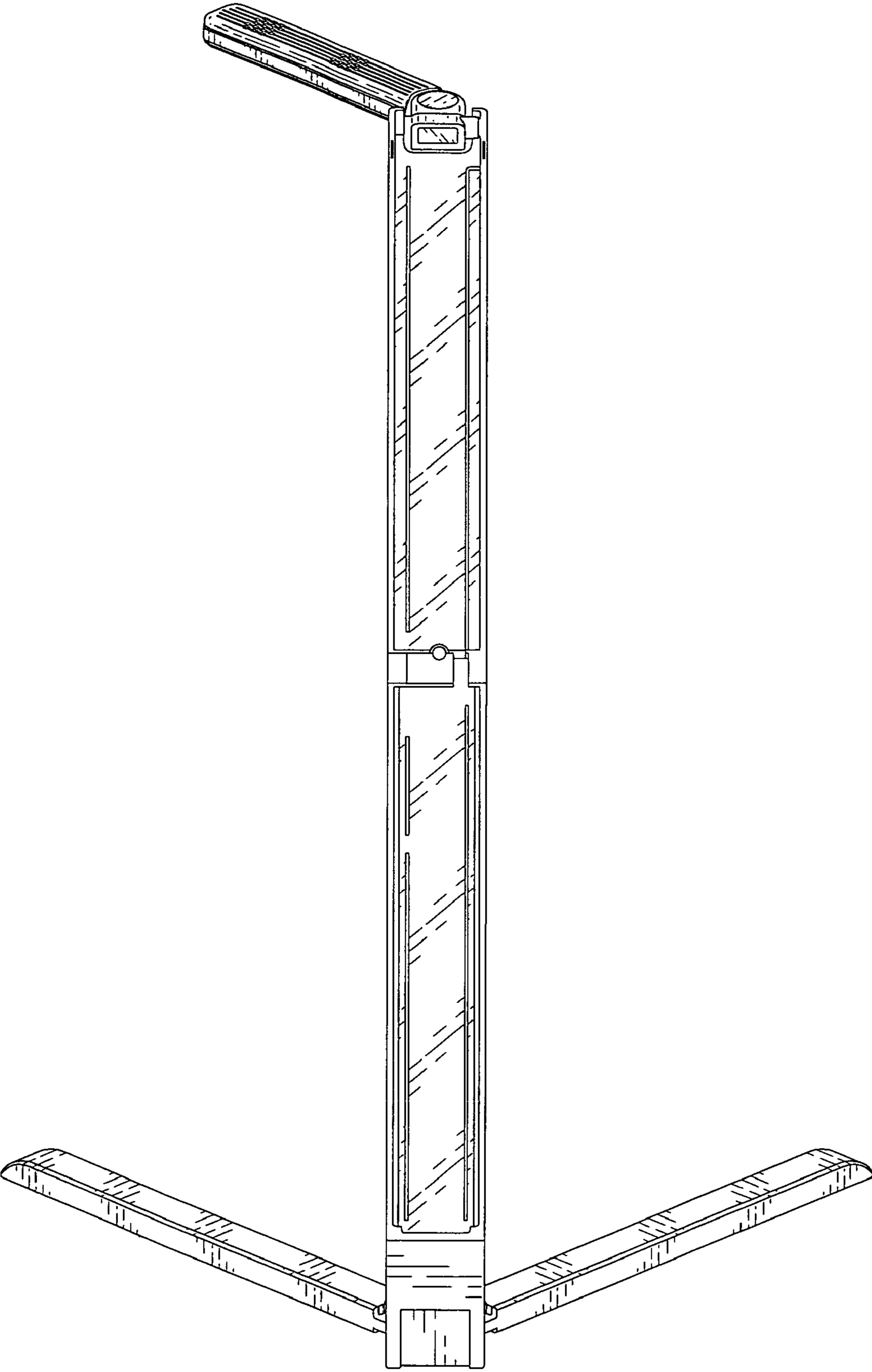


FIG. 3

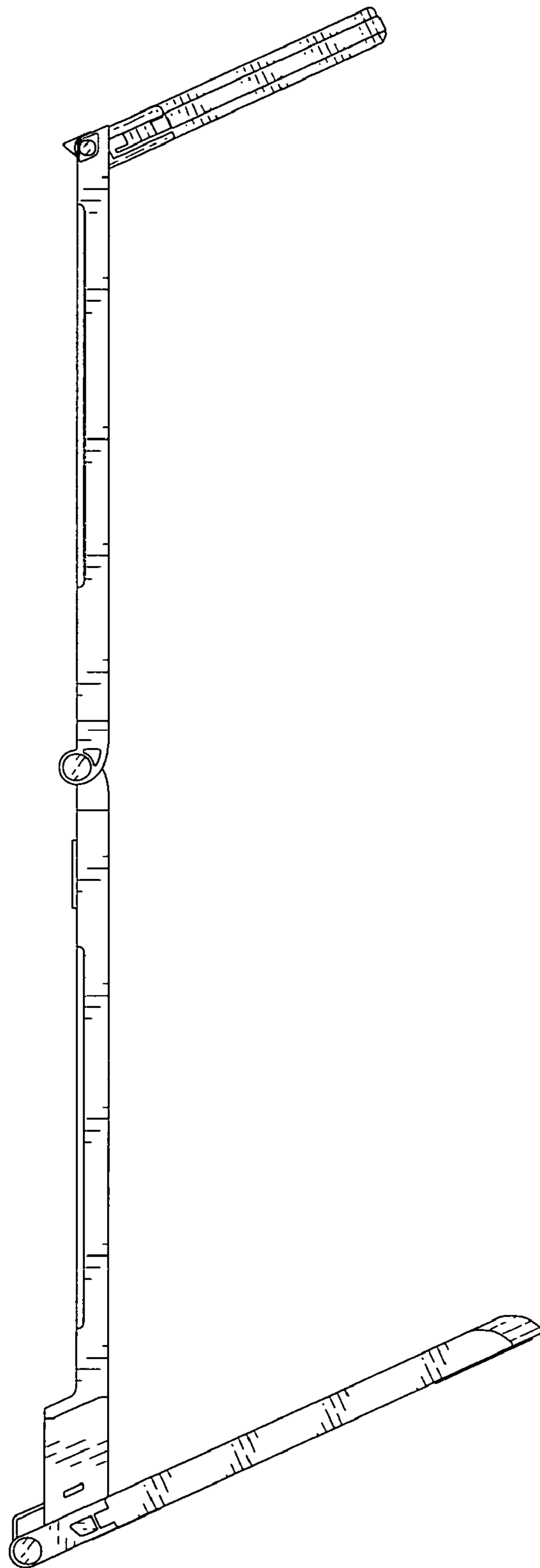


FIG. 4

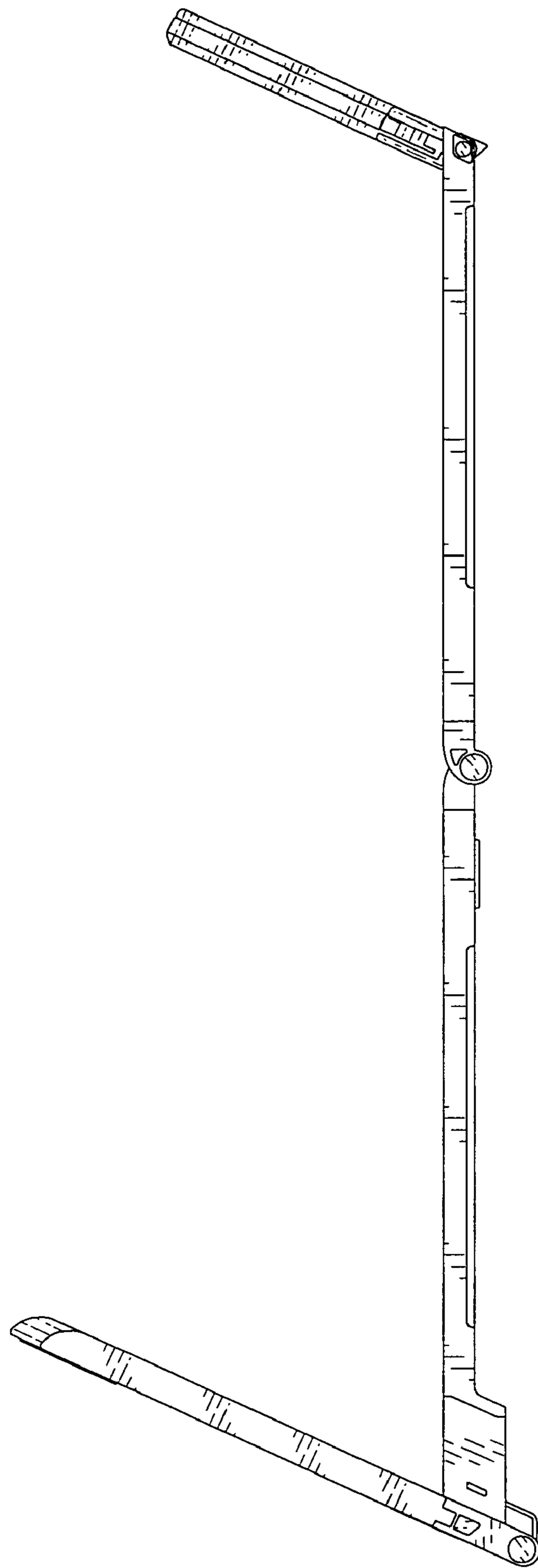


FIG. 5

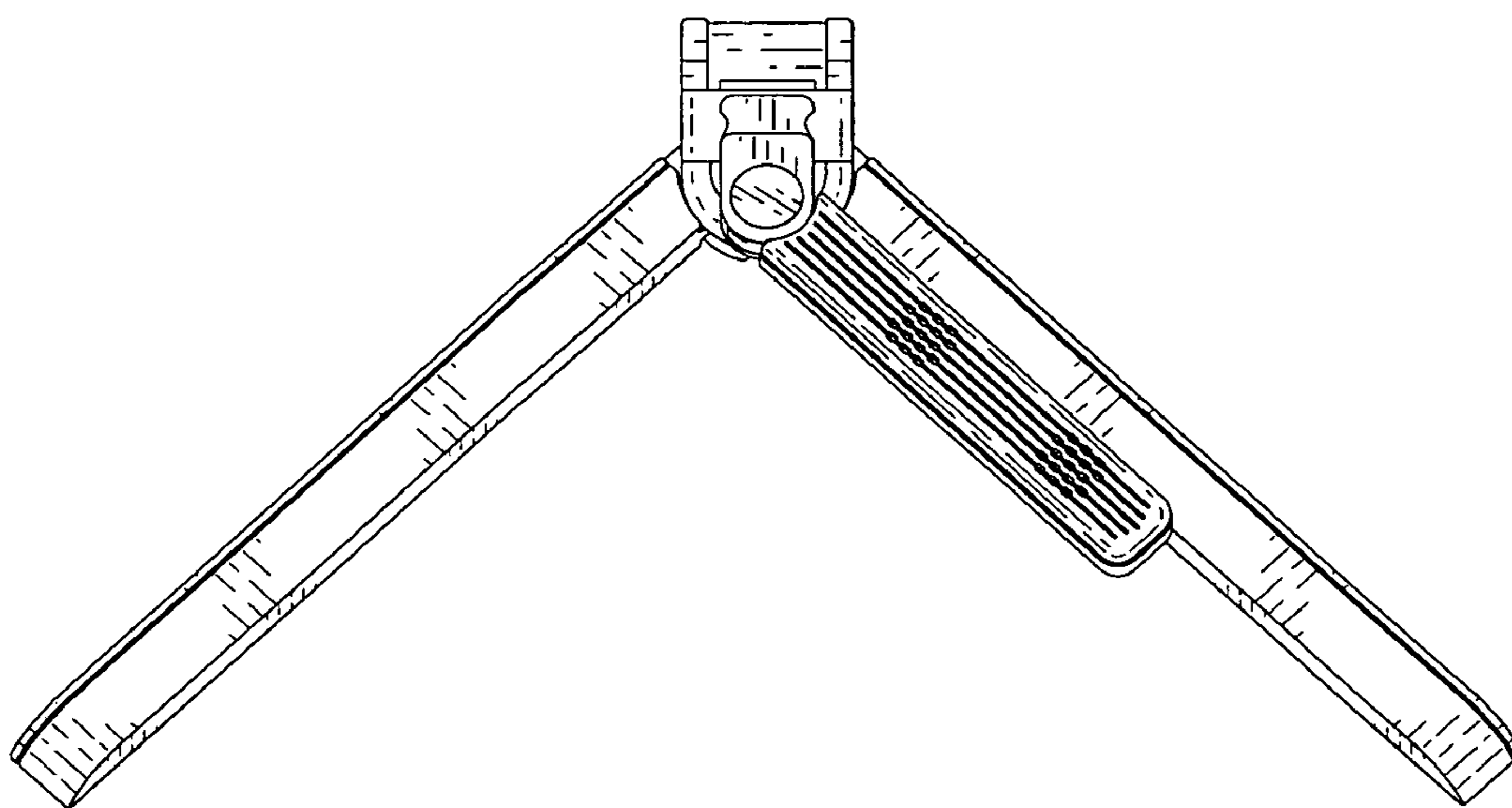


FIG. 6

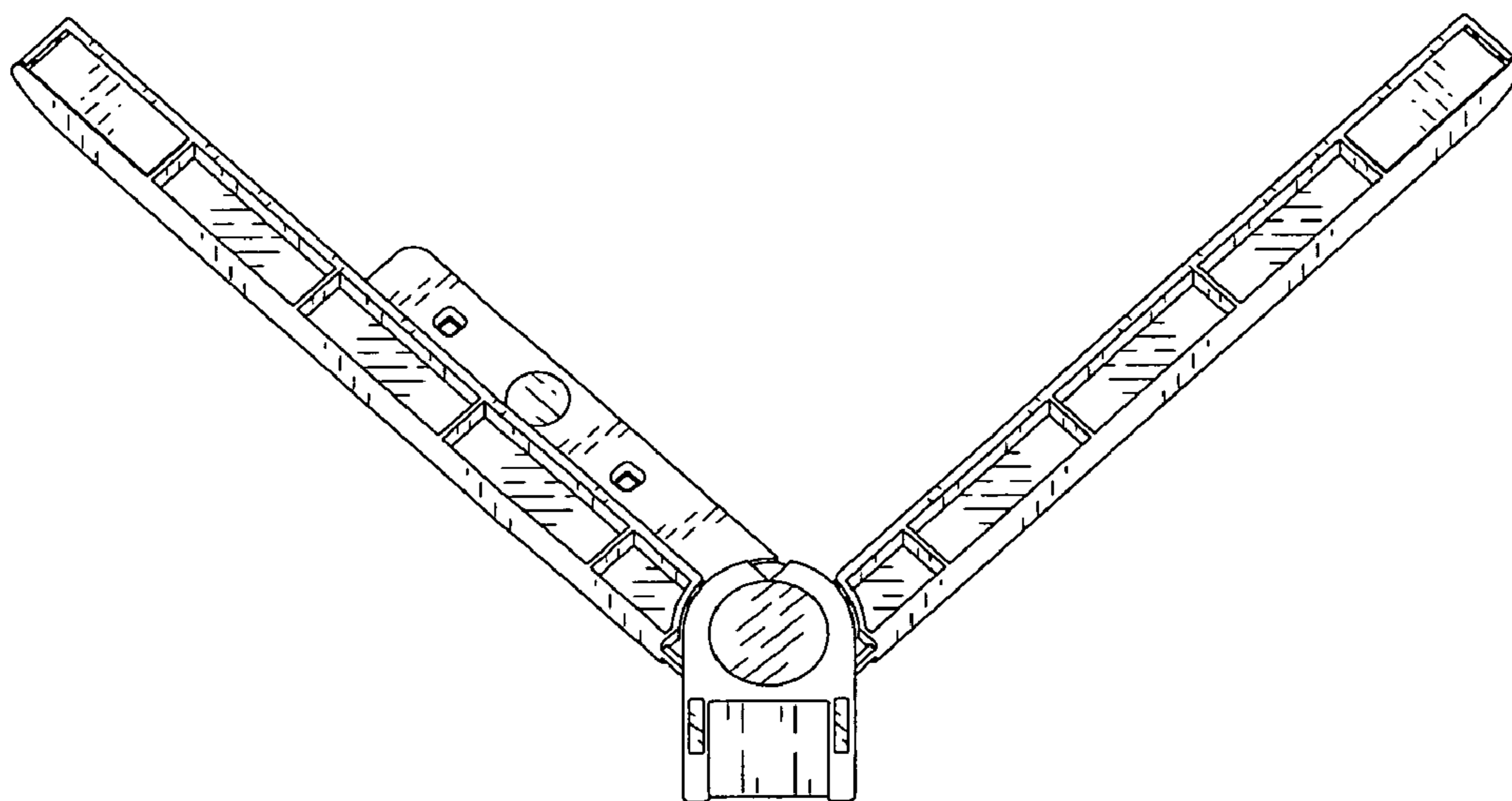


FIG. 7