

US00D602062S

(12) **United States Design Patent**
Tatara

(10) **Patent No.:** **US D602,062 S**
(45) **Date of Patent:** **** Oct. 13, 2009**

(54) **PROJECTOR**

(75) Inventor: **Yoshihiro Tatara**, Matsumoto (JP)

(73) Assignee: **Seiko Epson Corporation**, Tokyo (JP)

(**) Term: **14 Years**

(21) Appl. No.: **29/329,069**

(22) Filed: **Dec. 8, 2008**

(30) **Foreign Application Priority Data**

Sep. 11, 2008 (JP) 2008-023342

(51) **LOC (9) Cl.** **16-02**

(52) **U.S. Cl.** **D16/230; D16/225**

(58) **Field of Classification Search** D16/205,
D16/208, 213, 221, 225, 230, 231, 234, 233;
D21/514; 353/119, 122

See application file for complete search history.

(56) **References Cited**

U.S. PATENT DOCUMENTS

D219,071 S * 10/1970 Aiuslie D16/230
6,231,191 B1 * 5/2001 Shiraiishi et al. 353/61
7,021,775 B2 * 4/2006 Sample 353/119

7,258,449 B2 * 8/2007 Chong et al. 353/85
7,309,132 B2 * 12/2007 Sample 353/119
7,445,342 B2 * 11/2008 Garg 353/79
2007/0229782 A1 * 10/2007 Ho 353/122

* cited by examiner

Primary Examiner—Ian Simmons

Assistant Examiner—Wan Laymon

(74) *Attorney, Agent, or Firm*—Oliff & Berridge, PLC

(57) **CLAIM**

The ornamental design for a projector, as shown and described.

DESCRIPTION

FIG. 1 is a perspective view of the projector;

FIG. 2 is a front view thereof;

FIG. 3 is a rear view thereof;

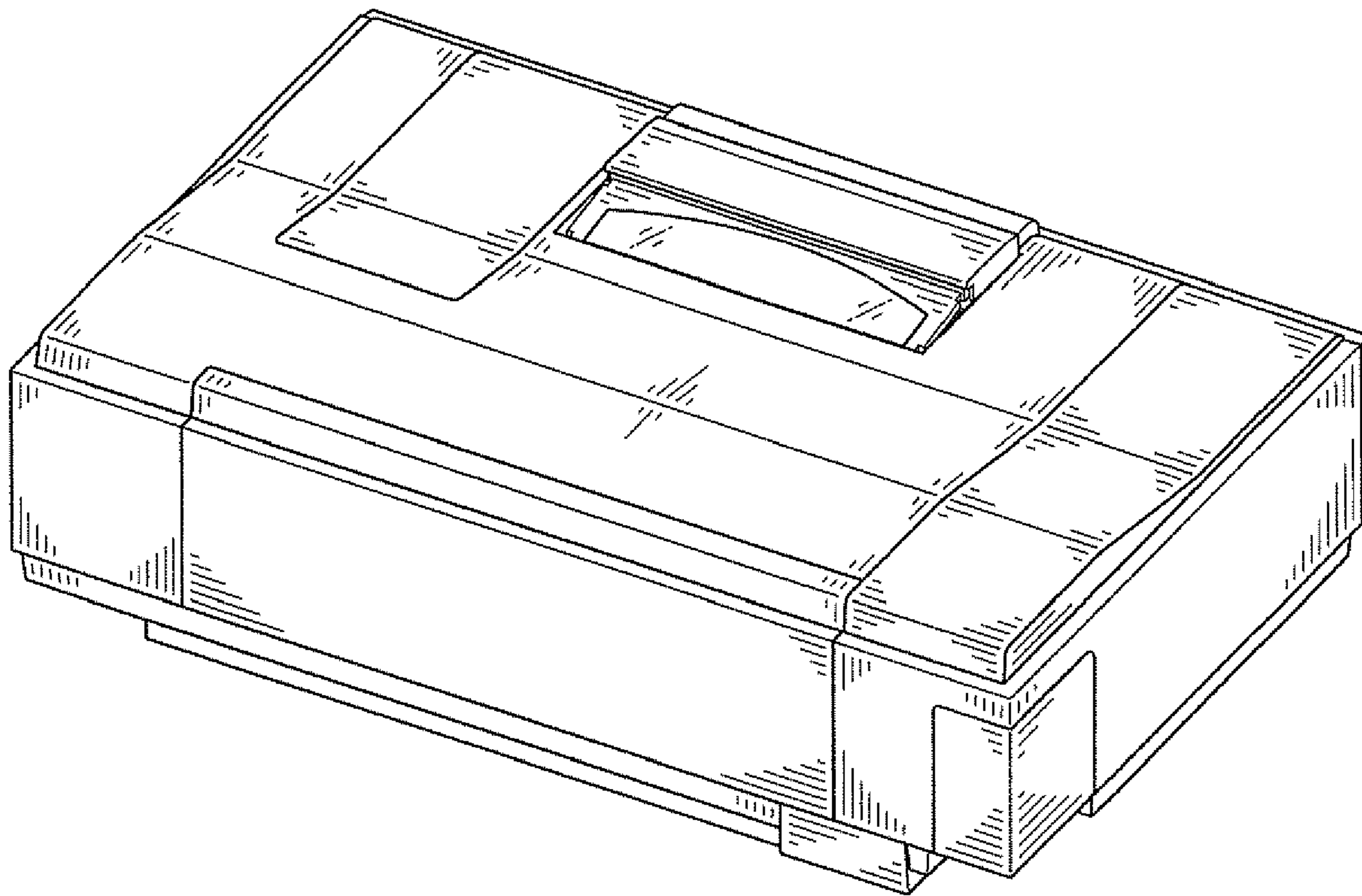
FIG. 4 is a left-side view thereof;

FIG. 5 is a right-side view thereof;

FIG. 6 is a top view thereof; and,

FIG. 7 is a bottom view thereof.

1 Claim, 3 Drawing Sheets



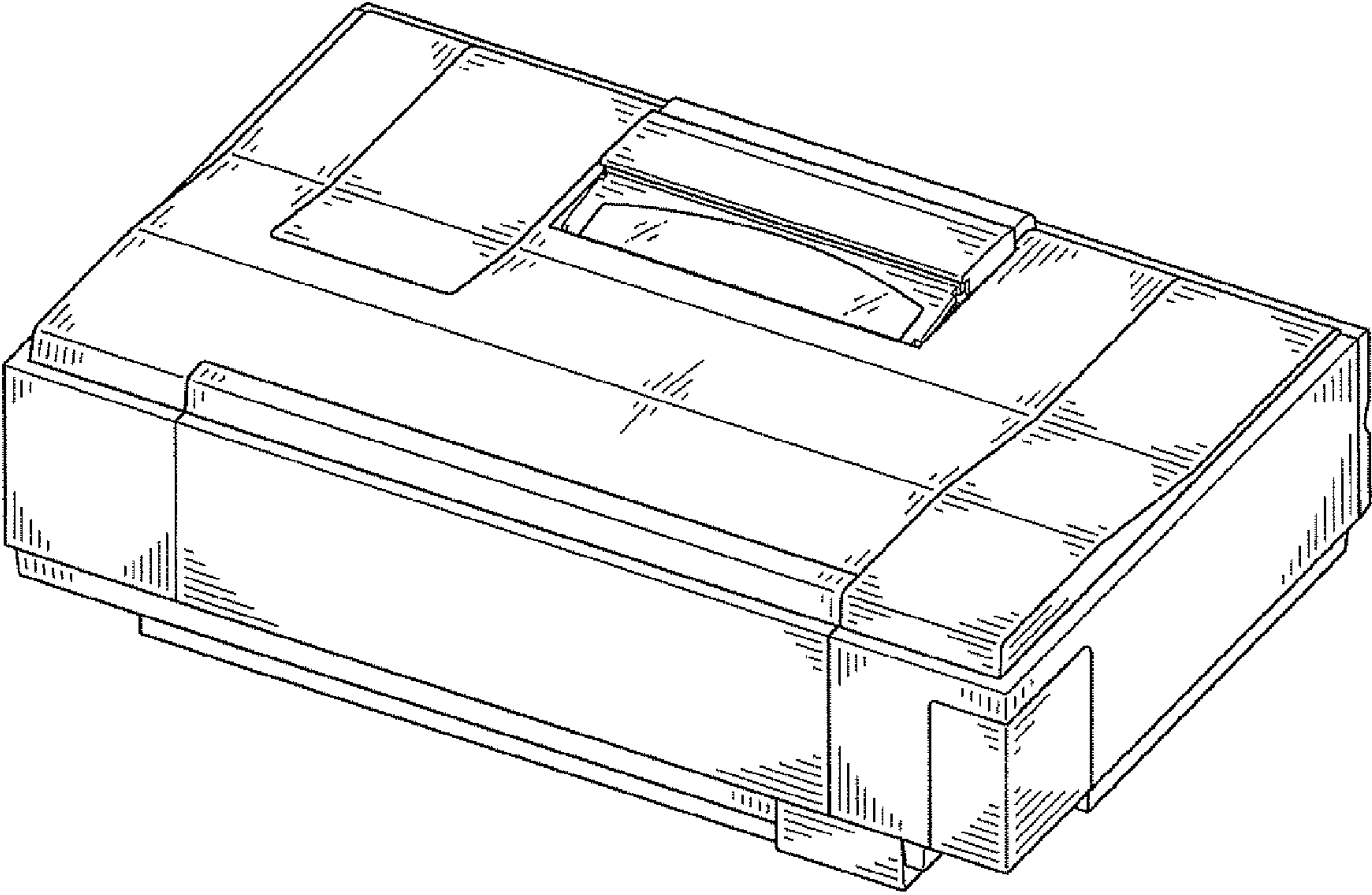


FIG. 1

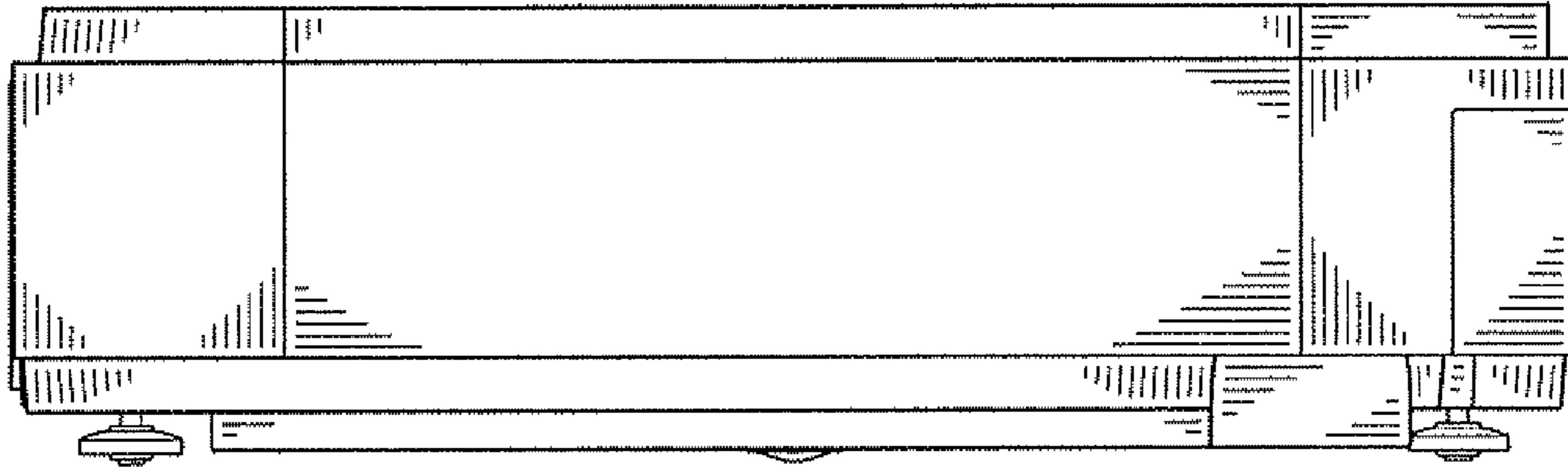


FIG. 2

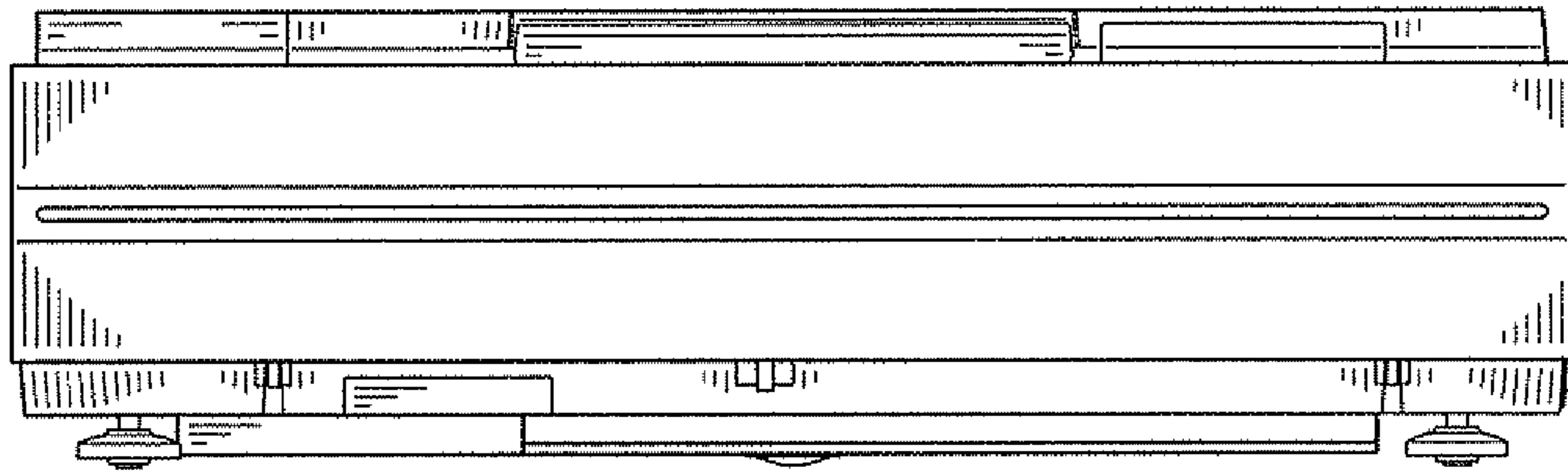


FIG. 3

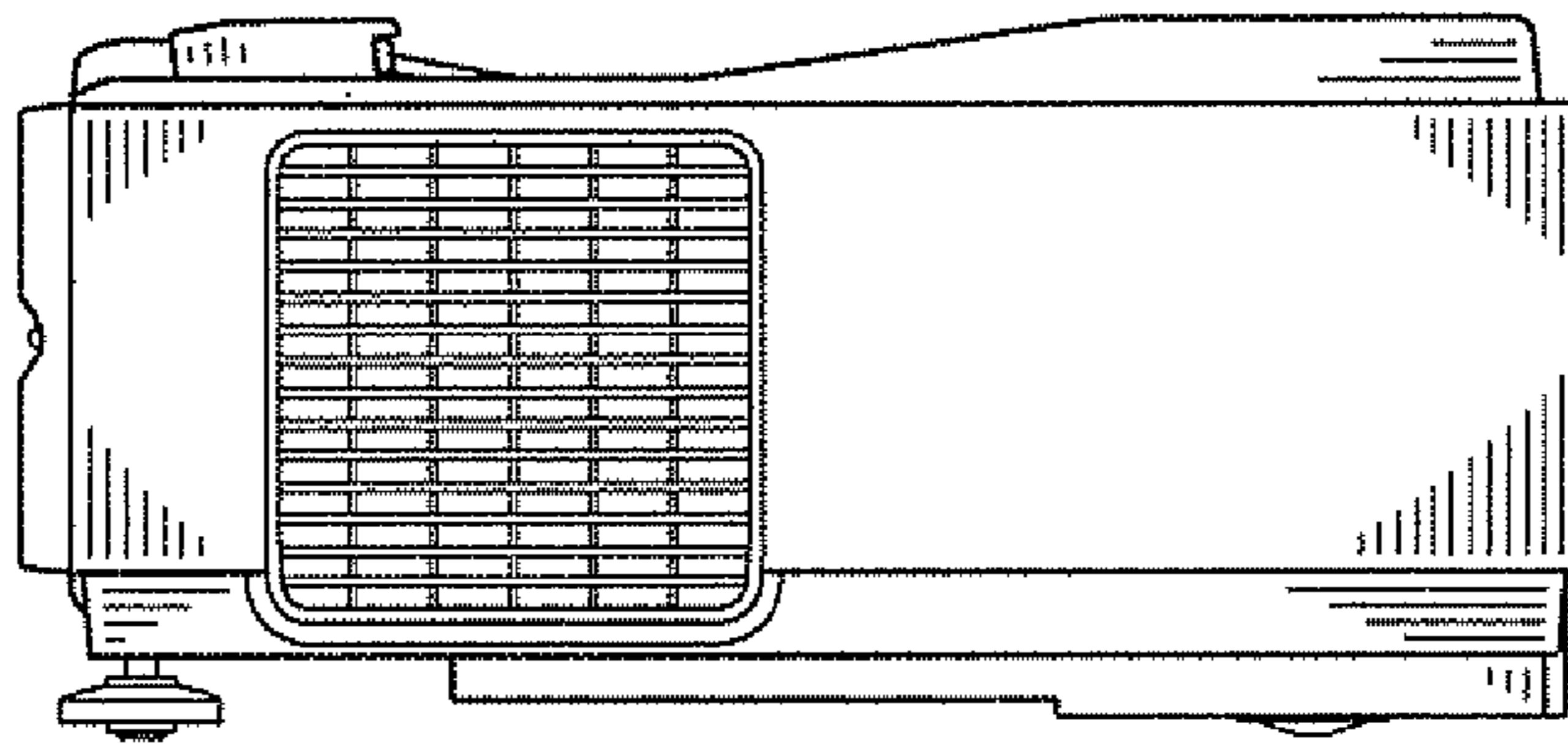


FIG. 4

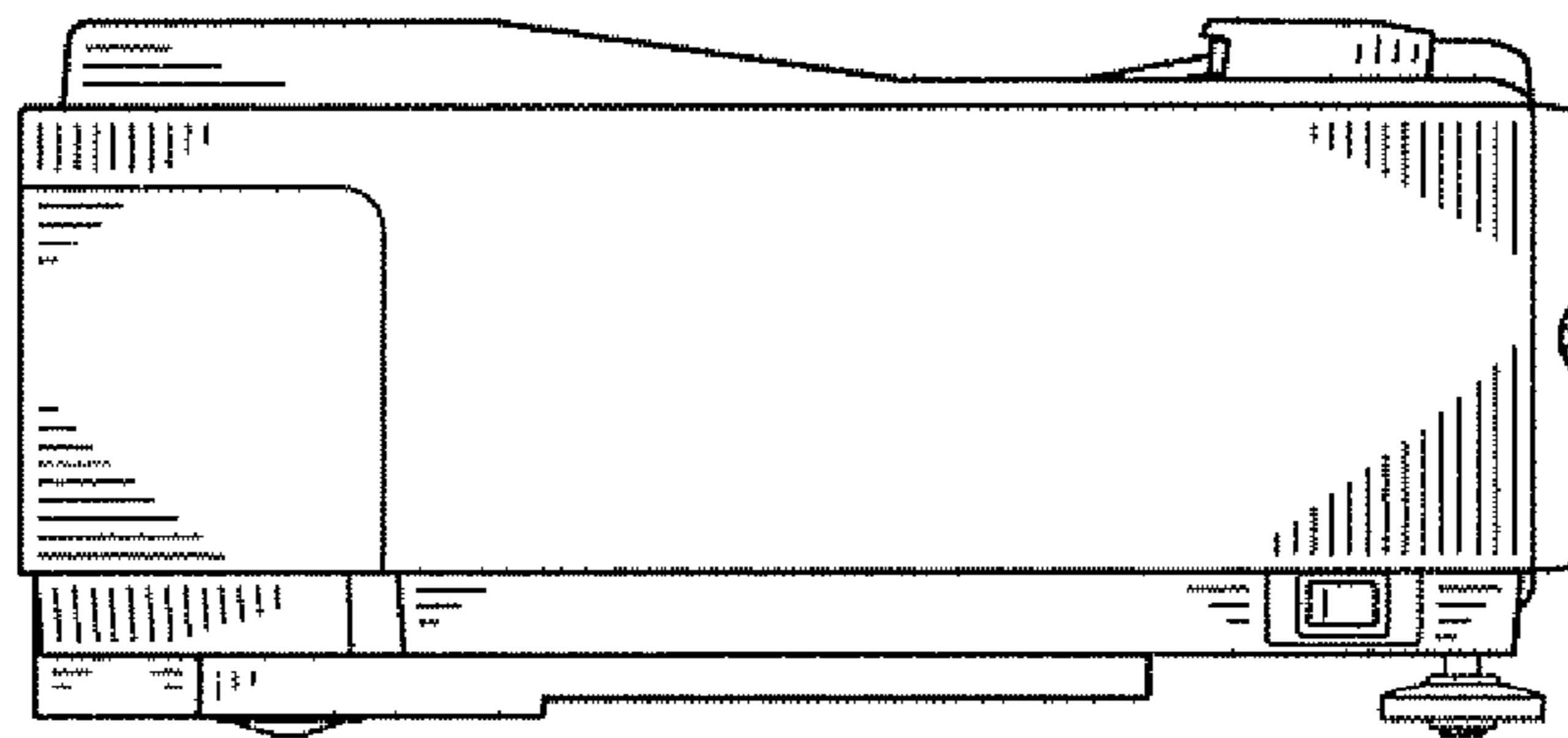


FIG. 5

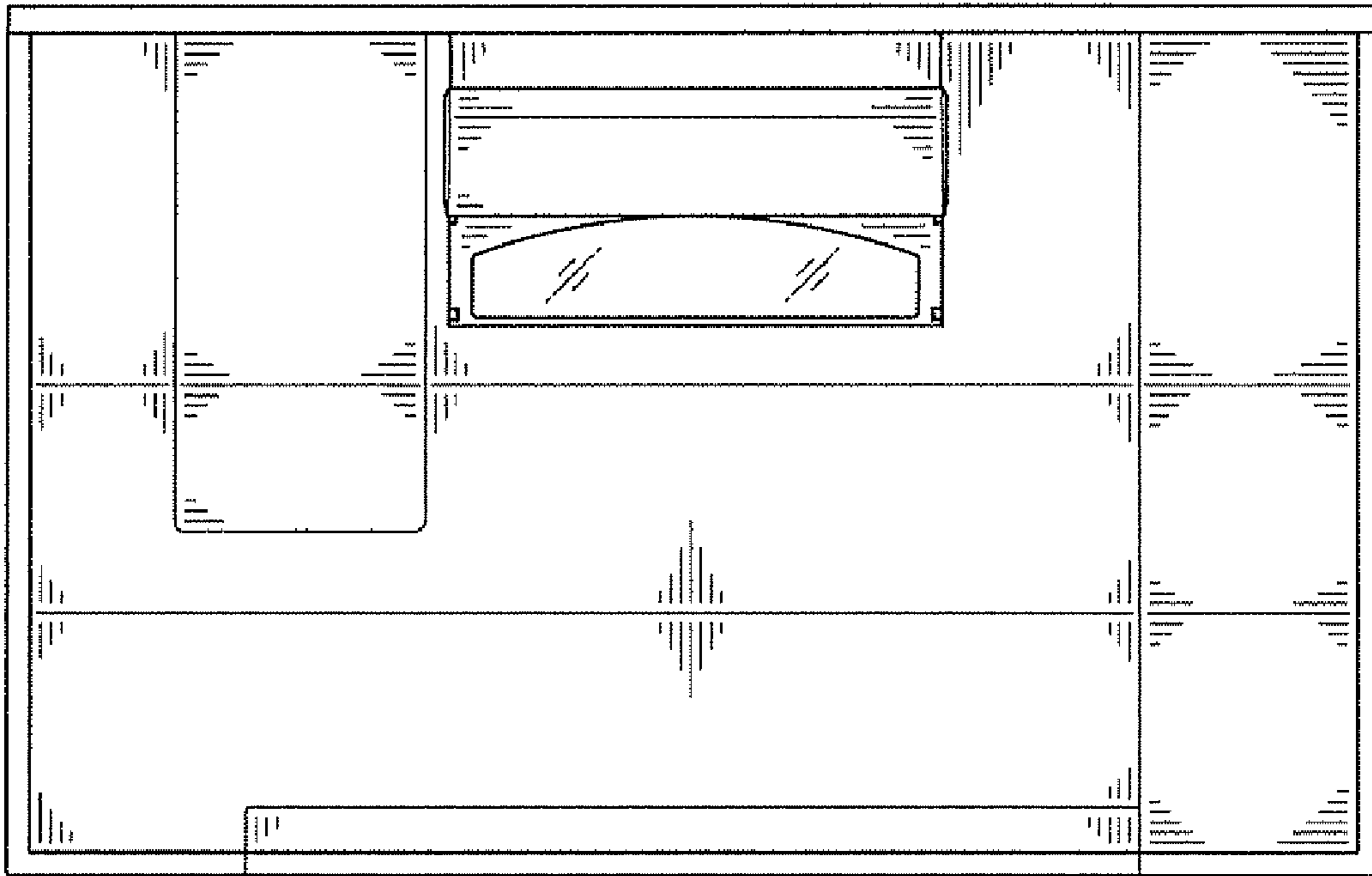


FIG. 6

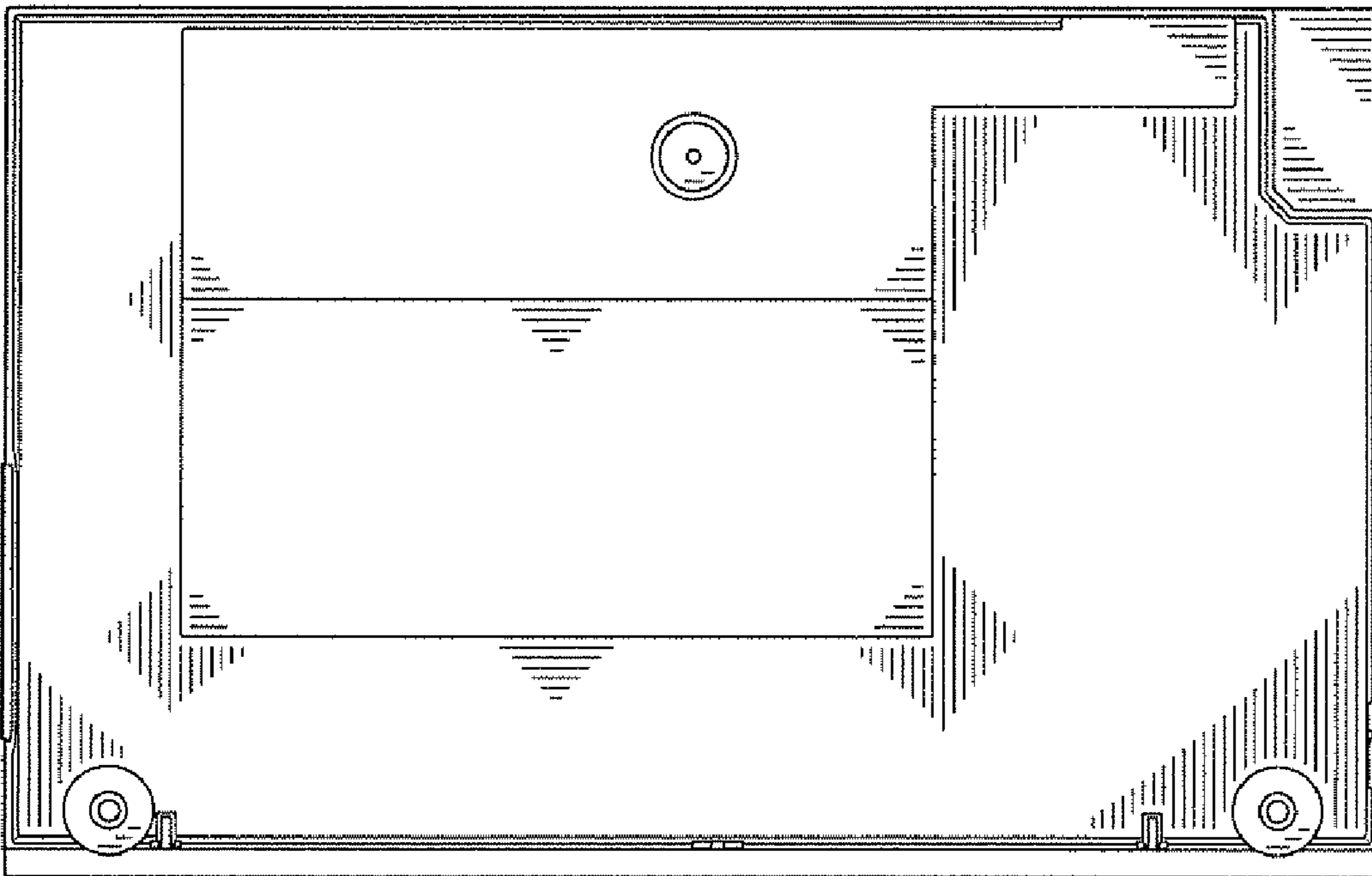


FIG. 7