



US00D602061S

(12) **United States Design Patent**  
**Tatara et al.**

(10) **Patent No.:** **US D602,061 S**  
(45) **Date of Patent:** **\*\* Oct. 13, 2009**

(54) **PROJECTOR**

(75) Inventors: **Yoshihiro Tatara**, Matsumoto (JP);  
**Tetsu Nakayama**, Matsumoto (JP);  
**Kiyomasa Shirakura**, Matsumoto (JP);  
**Mika Koyama**, Matsumoto (JP)

(73) Assignee: **Seiko Epson Corporation**, Tokyo (JP)

(\*\*) Term: **14 Years**

(21) Appl. No.: **29/329,057**

(22) Filed: **Dec. 8, 2008**

(30) **Foreign Application Priority Data**

Jul. 31, 2008 (JP) ..... 2008-019720

(51) **LOC (9) Cl.** ..... **16-02**

(52) **U.S. Cl.** ..... **D16/230; D16/225**

(58) **Field of Classification Search** ..... D16/205,  
D16/208, 213, 221, 225, 230, 231, 234, 233;  
D21/514; 353/119, 122

See application file for complete search history.

(56) **References Cited**

**U.S. PATENT DOCUMENTS**

D387,795 S \* 12/1997 Sakamoto ..... D16/231  
D449,060 S \* 10/2001 Saeki et al. .... D16/230

D450,076 S \* 11/2001 Fujimaki ..... D16/230  
D464,074 S \* 10/2002 Miyazaki ..... D16/230  
D472,570 S \* 4/2003 Takahashi ..... D16/230  
D498,490 S \* 11/2004 Kawasaki et al. .... D16/231  
D504,453 S \* 4/2005 Junsu et al. .... D16/231  
7,156,526 B2 \* 1/2007 Tanaka ..... 353/119  
7,210,796 B2 \* 5/2007 Inuma et ..... 353/98  
D577,051 S \* 9/2008 Yamamizu ..... D16/230

\* cited by examiner

*Primary Examiner*—Ian Simmons

*Assistant Examiner*—Wan Laymon

(74) *Attorney, Agent, or Firm*—Oliff & Berridge, PLC

(57) **CLAIM**

The ornamental design for a projector, as shown and described.

**DESCRIPTION**

FIG. 1 is a perspective view of a projector;

FIG. 2 is a front view thereof;

FIG. 3 is a rear view thereof;

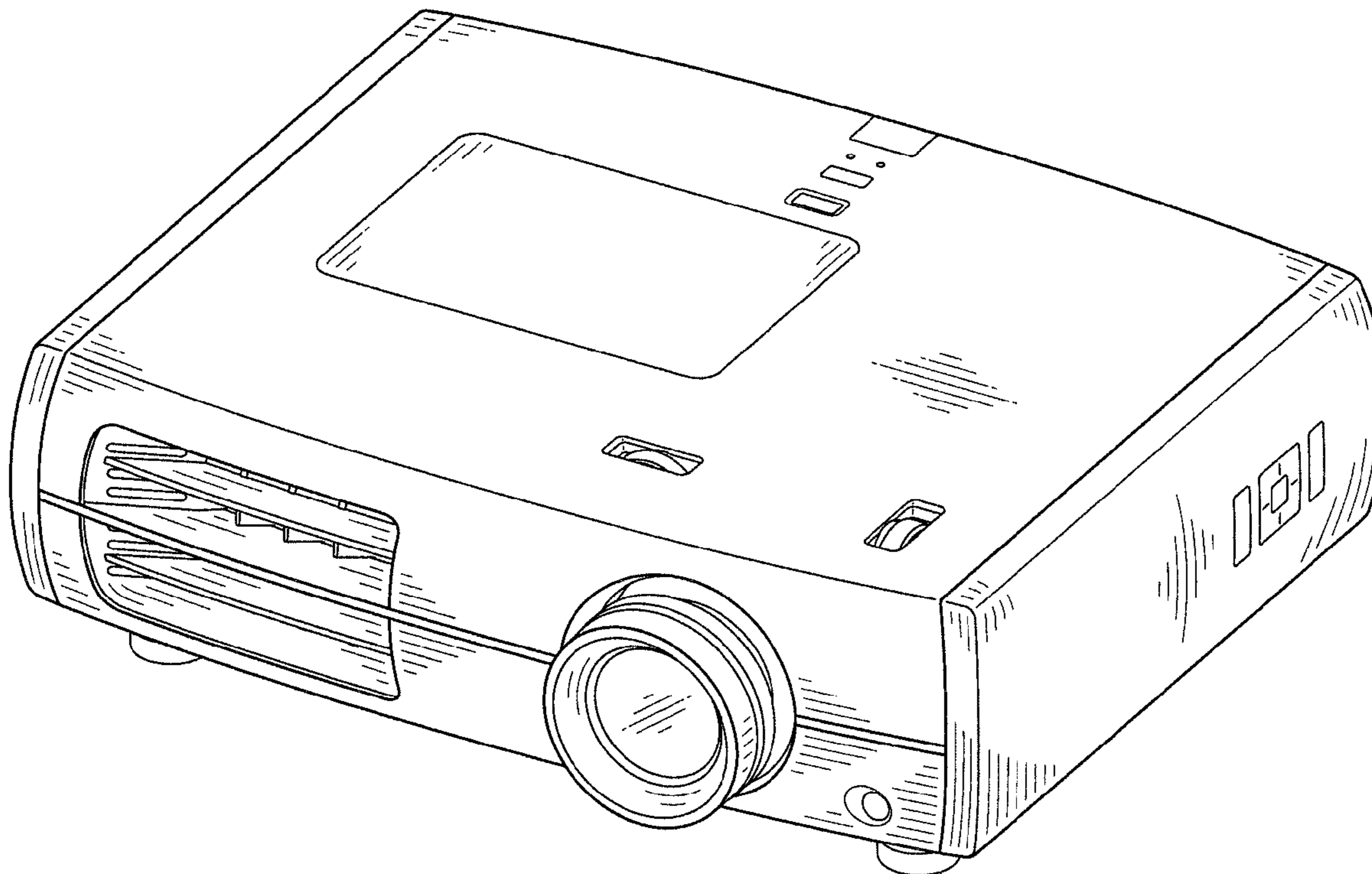
FIG. 4 is a left-side view thereof;

FIG. 5 is a right-side view thereof;

FIG. 6 is a top view thereof; and,

FIG. 7 is a bottom view thereof.

**1 Claim, 5 Drawing Sheets**



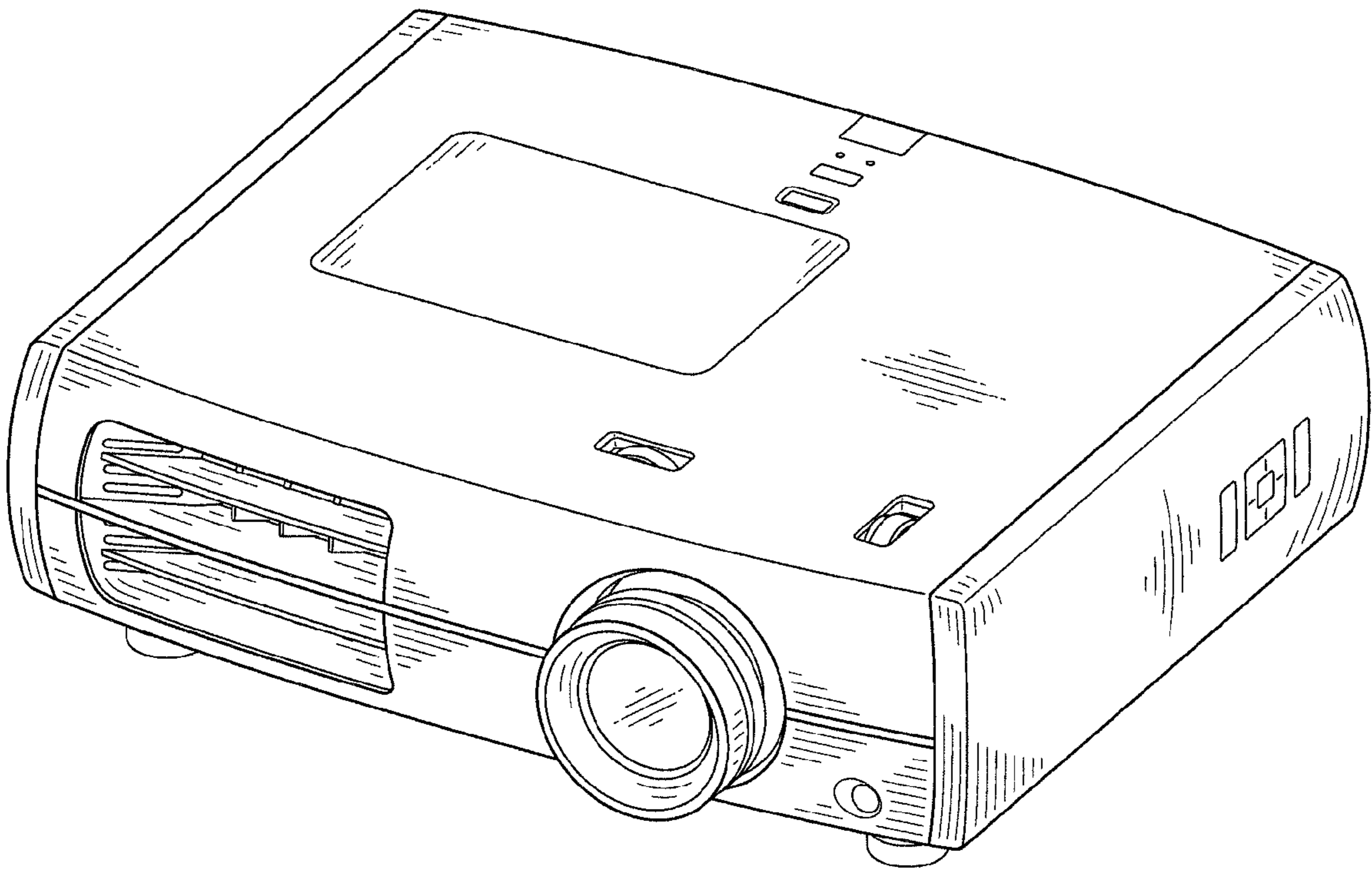


FIG. 1

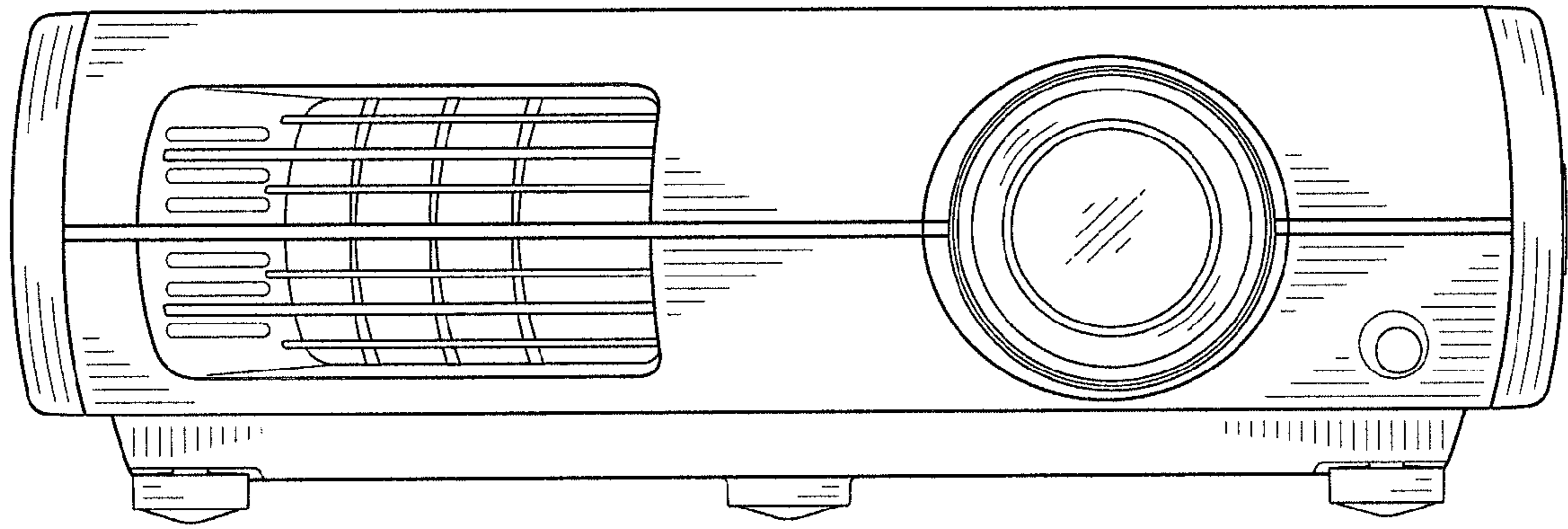


FIG. 2

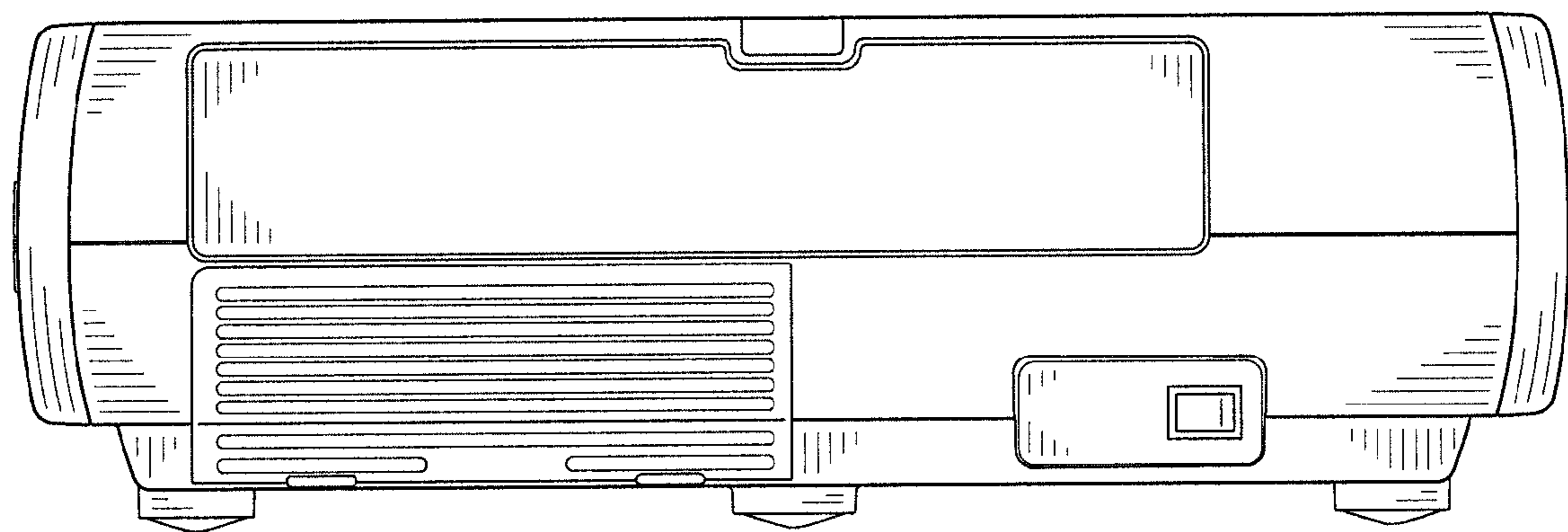


FIG. 3

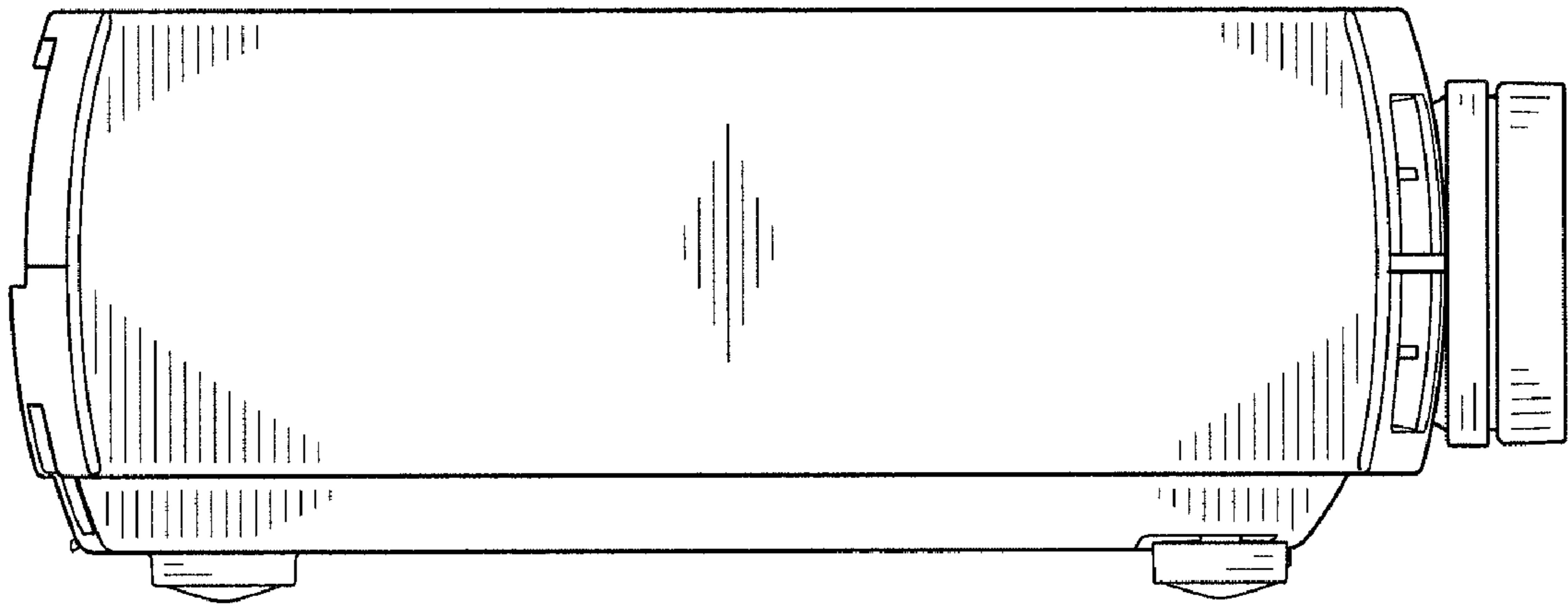


FIG. 4

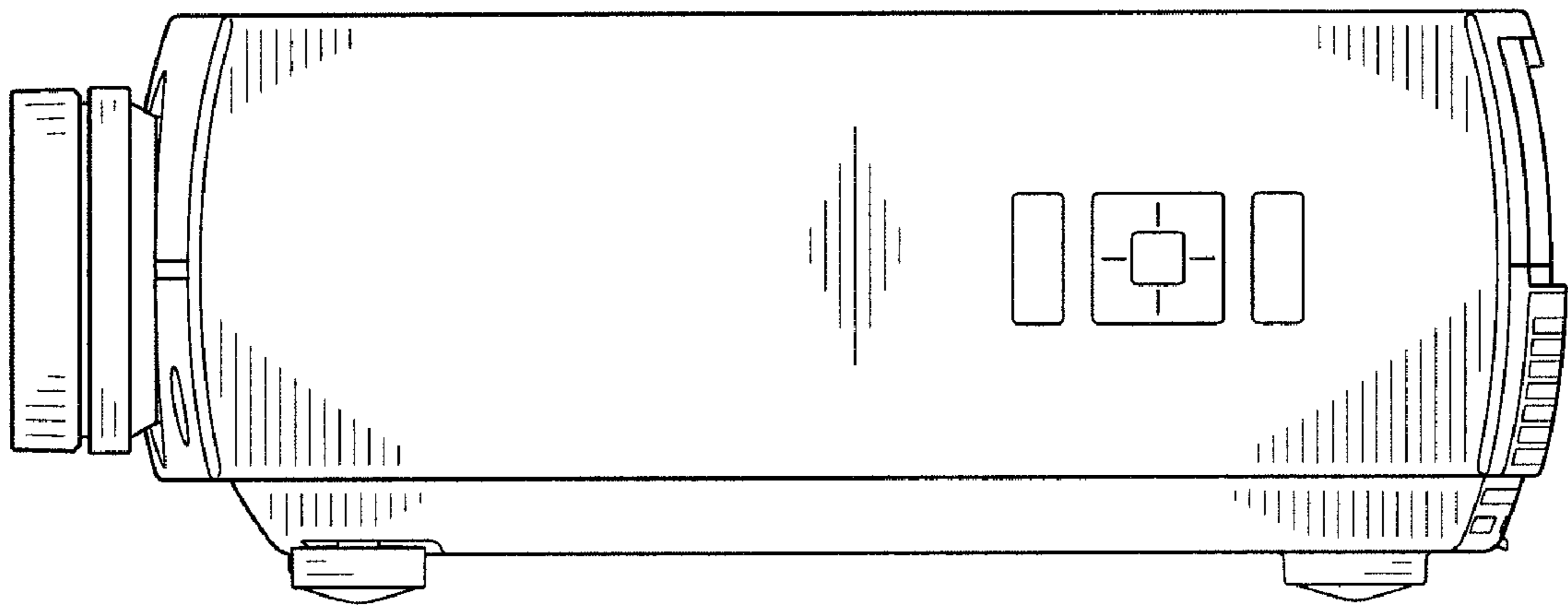


FIG. 5

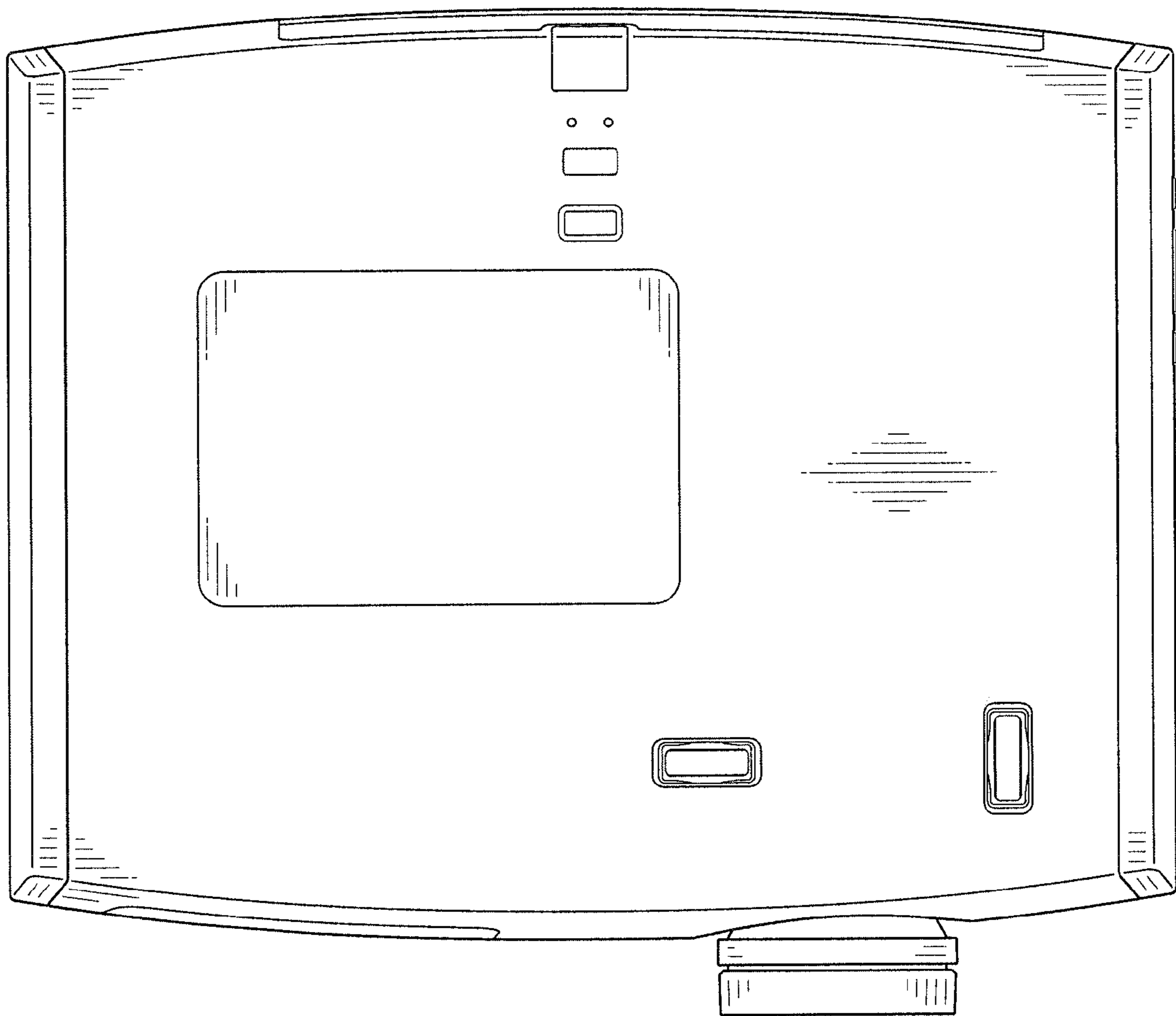


FIG. 6

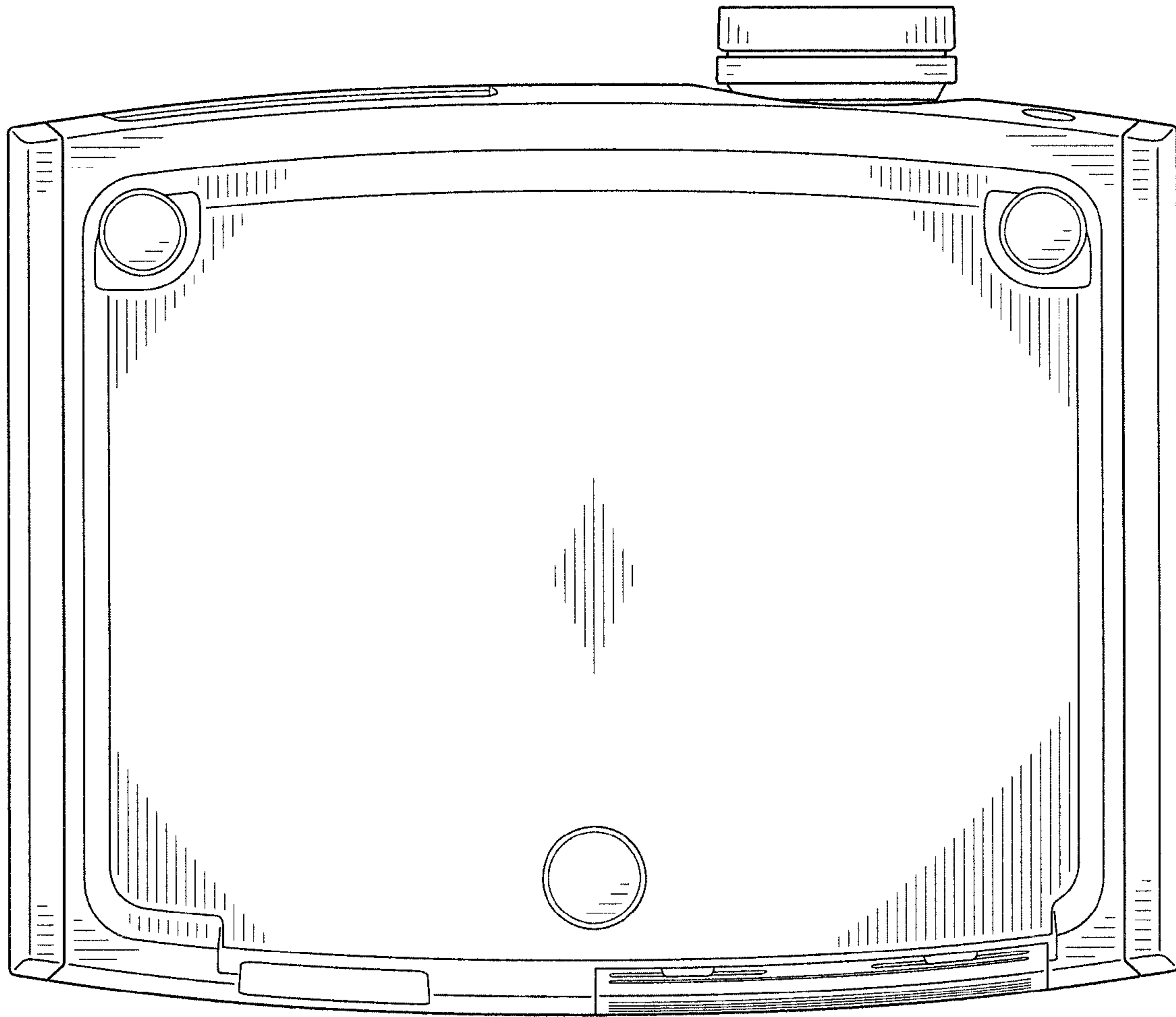


FIG. 7