



US00D602059S

(12) **United States Design Patent**
Inaba

(10) **Patent No.:** **US D602,059 S**
(45) **Date of Patent:** **** Oct. 13, 2009**

(54) **BINOCULARS**

(75) Inventor: **Toshiya Inaba**, Tokyo (JP)

(73) Assignee: **Hoya Corporation**, Tokyo (JP)

(**) Term: **14 Years**

(21) Appl. No.: **29/330,128**

(22) Filed: **Dec. 30, 2008**

(30) **Foreign Application Priority Data**

Jul. 14, 2008 (JP) 2008-018109

(51) **LOC (9) Cl.** **16-06**

(52) **U.S. Cl.** **D16/133**

(58) **Field of Classification Search** D16/133;
D21/483; 359/407, 408, 412, 414, 415, 416,
359/417, 418, 419, 420, 422, 481, 426, 554,
359/555, 556, 557, 558, 804, 809, 835

See application file for complete search history.

(56) **References Cited**

U.S. PATENT DOCUMENTS

3,484,149	A *	12/1969	Becker et al.	359/414
D223,298	S *	4/1972	Senda et al.	D16/133
4,186,992	A *	2/1980	Kamakura	359/419
4,329,013	A *	5/1982	Hengst	359/418
4,436,387	A *	3/1984	Shimizu	359/418
D307,154	S *	4/1990	Shishikura	D16/133
4,989,963	A *	2/1991	Farnung et al.	359/414
4,998,357	A *	3/1991	Farnung et al.	359/418
D332,106	S *	12/1992	Hengst et al.	D16/133
D359,972	S *	7/1995	Takahashi	D16/133
D359,973	S *	7/1995	Hayamizu	D16/133
D412,177	S *	7/1999	Fujii	D16/133
D430,586	S *	9/2000	Inaba	D16/133

D470,160	S *	2/2003	Meinzer	D16/133
D472,257	S *	3/2003	Fujii	D16/133
6,542,294	B2 *	4/2003	Funatsu	359/407
D486,507	S *	2/2004	Fujii	D16/133
D492,335	S *	6/2004	Watanabe	D16/133
D503,730	S *	4/2005	Hamamura	D16/133
D523,047	S *	6/2006	Swift et al.	D16/133
7,271,954	B2 *	9/2007	Perger et al.	359/407
D575,315	S *	8/2008	Inaba	D16/133

FOREIGN PATENT DOCUMENTS

JP 1022358 S 10/1998

OTHER PUBLICATIONS

Japanese Office Action dated May 25, 2009.

* cited by examiner

Primary Examiner—Paula Greene

(74) *Attorney, Agent, or Firm*—Sughrue Mion, PLLC

(57) **CLAIM**

The ornamental design for binoculars, as shown and described.

DESCRIPTION

FIG. 1 is a front perspective view of the binoculars of the present invention;

FIG. 2 is a top view thereof;

FIG. 3 is a bottom view thereof;

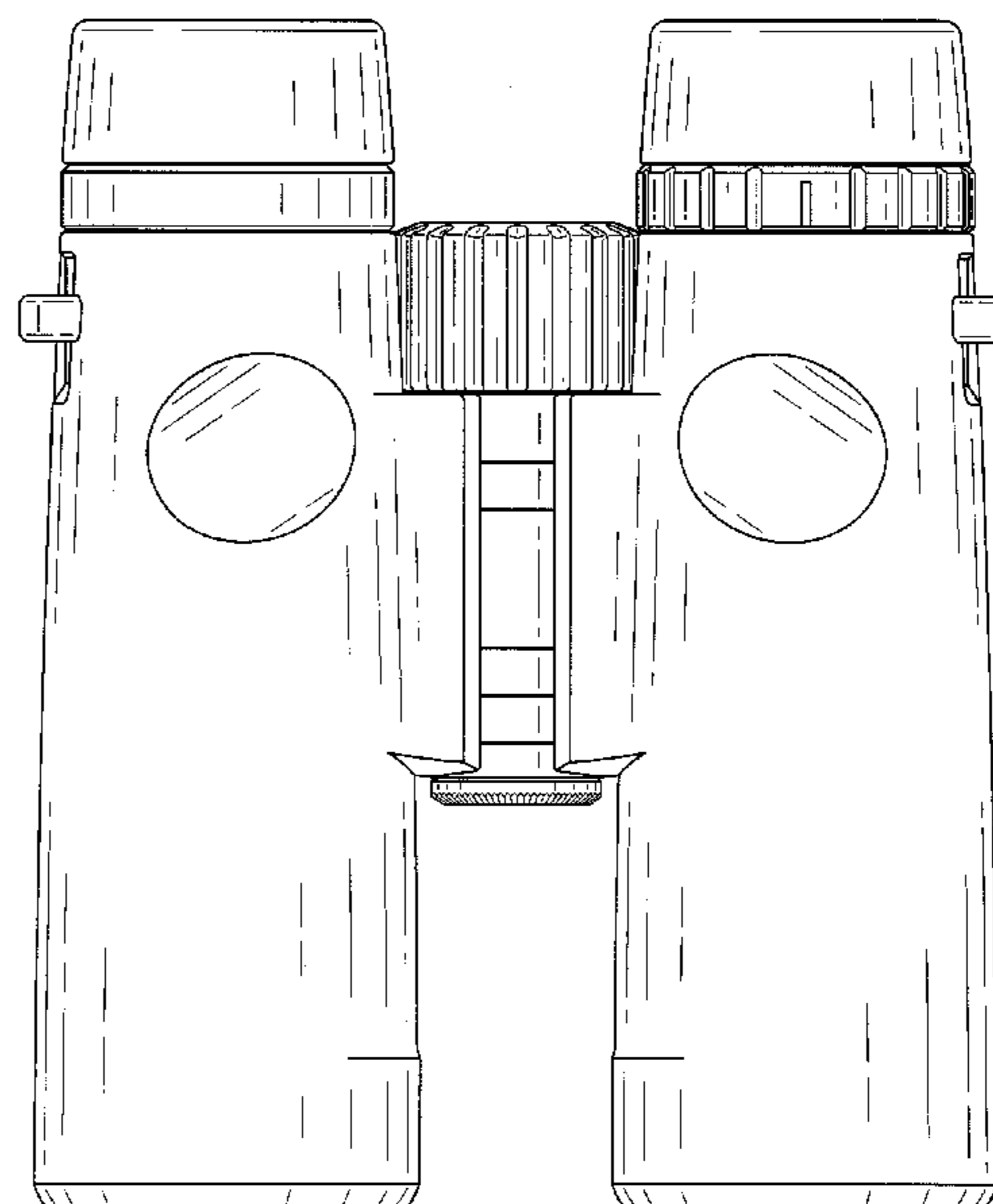
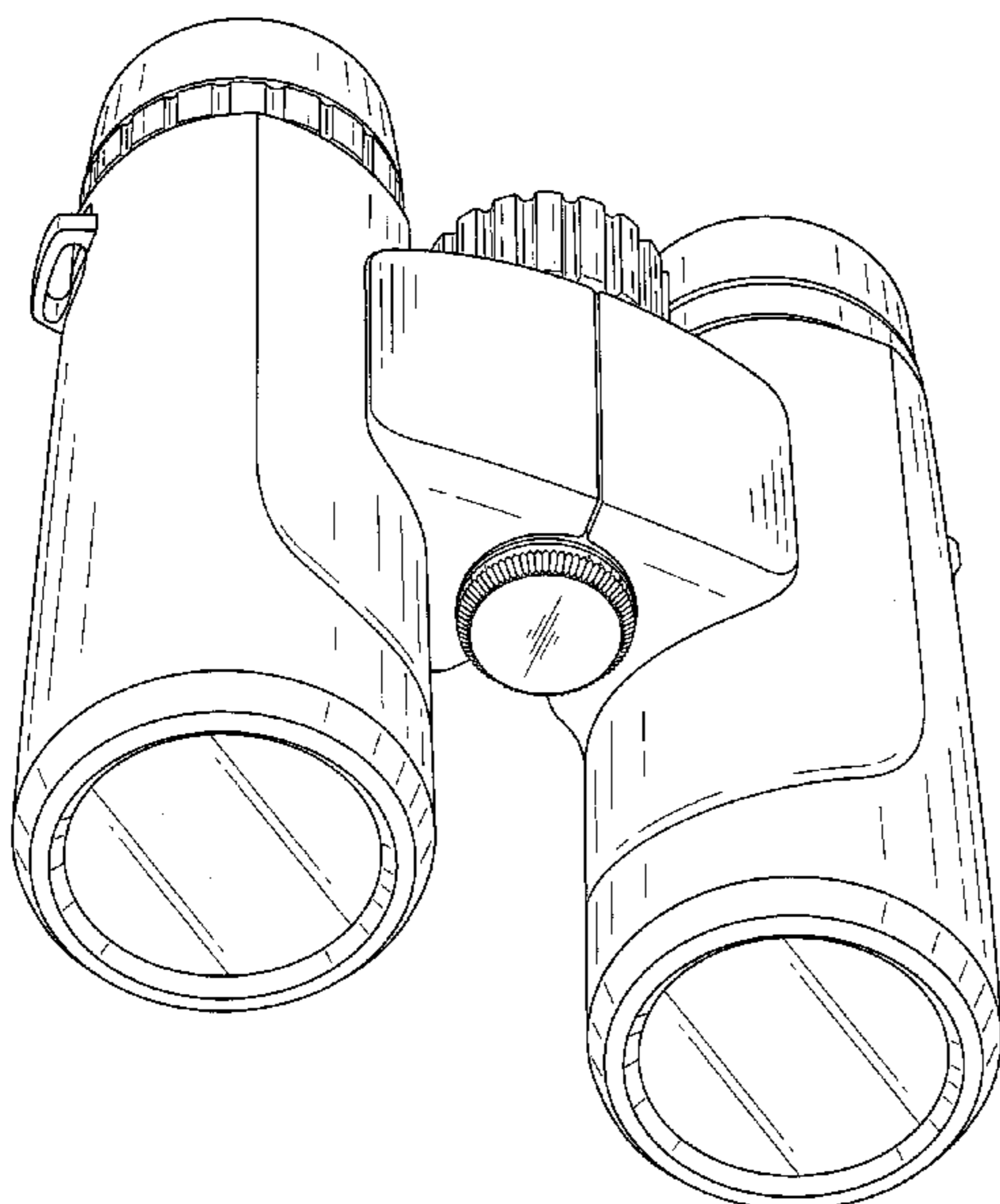
FIG. 4 is a rear end view thereof;

FIG. 5 is a front end view thereof;

FIG. 6 is a right side view thereof; and,

FIG. 7 is a left side view thereof.

1 Claim, 5 Drawing Sheets



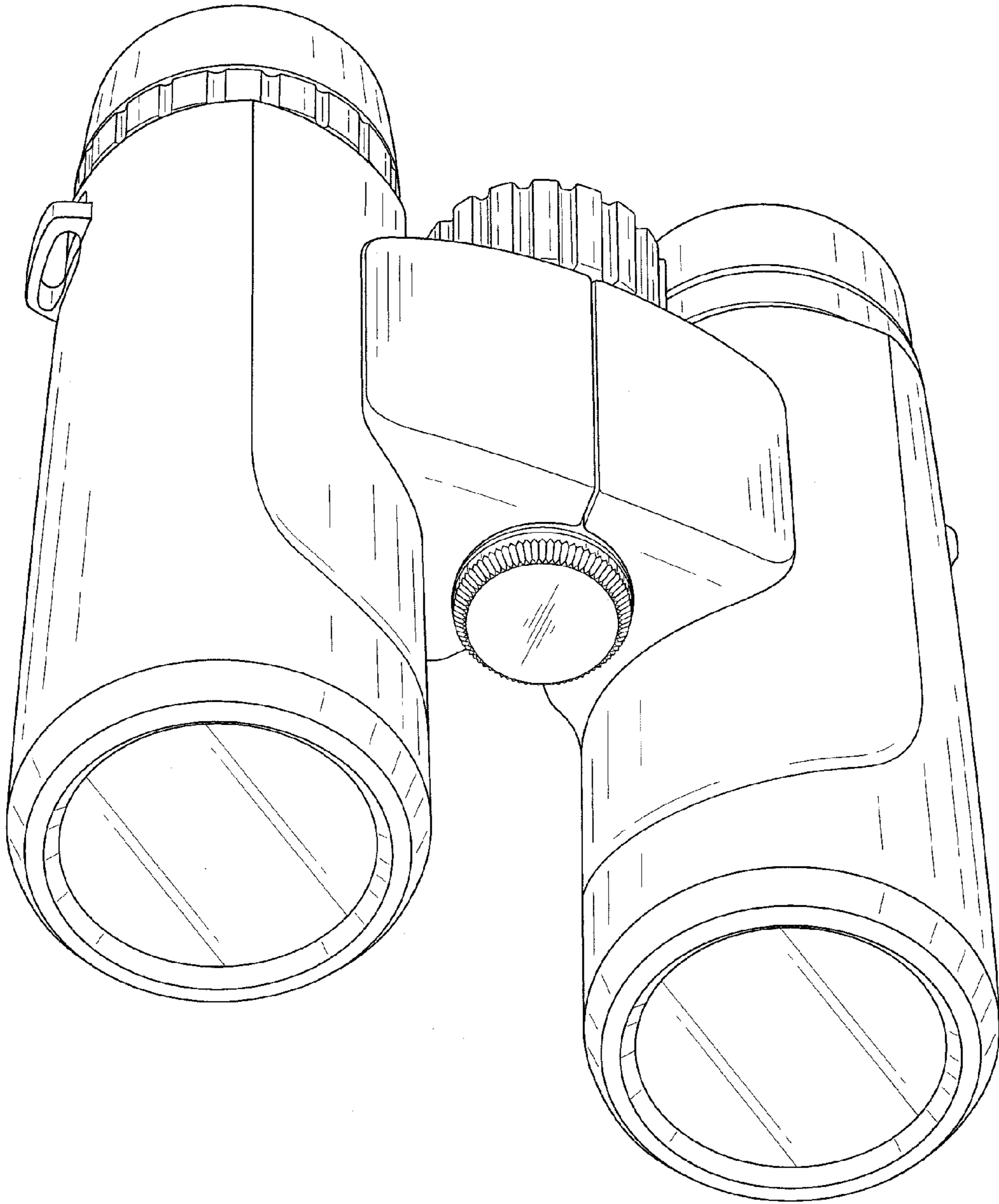


FIG. 1

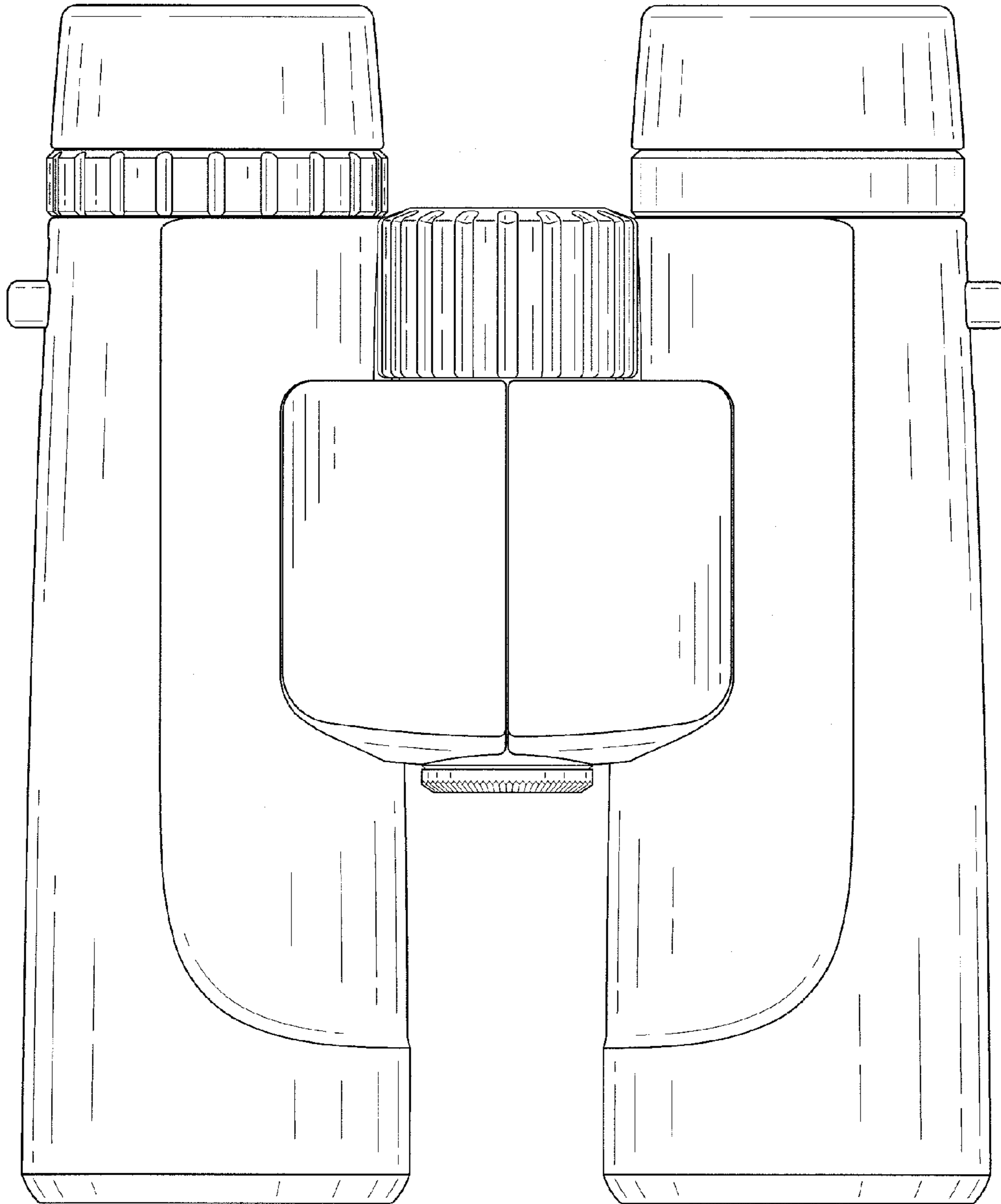


FIG. 2

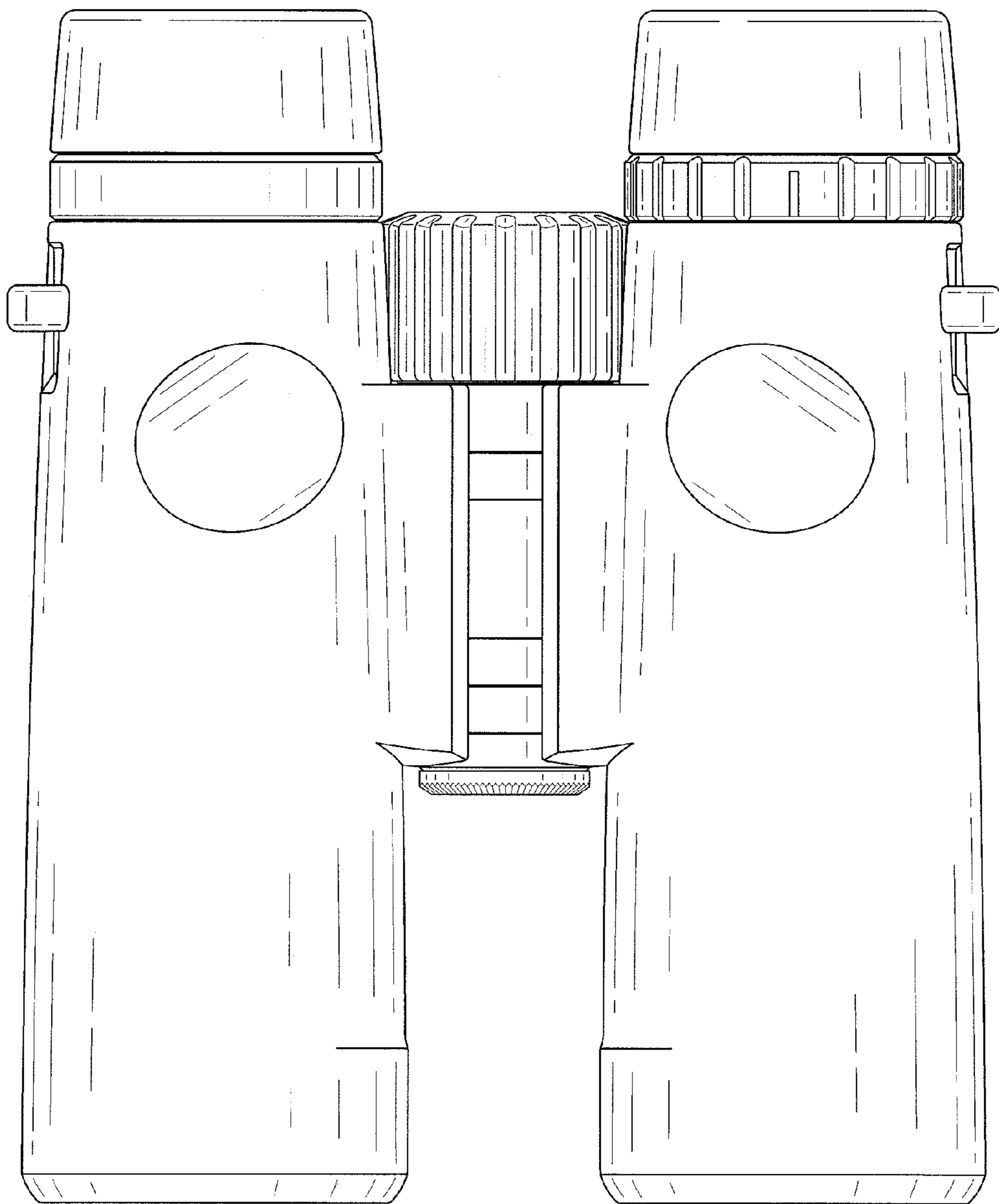


FIG. 3

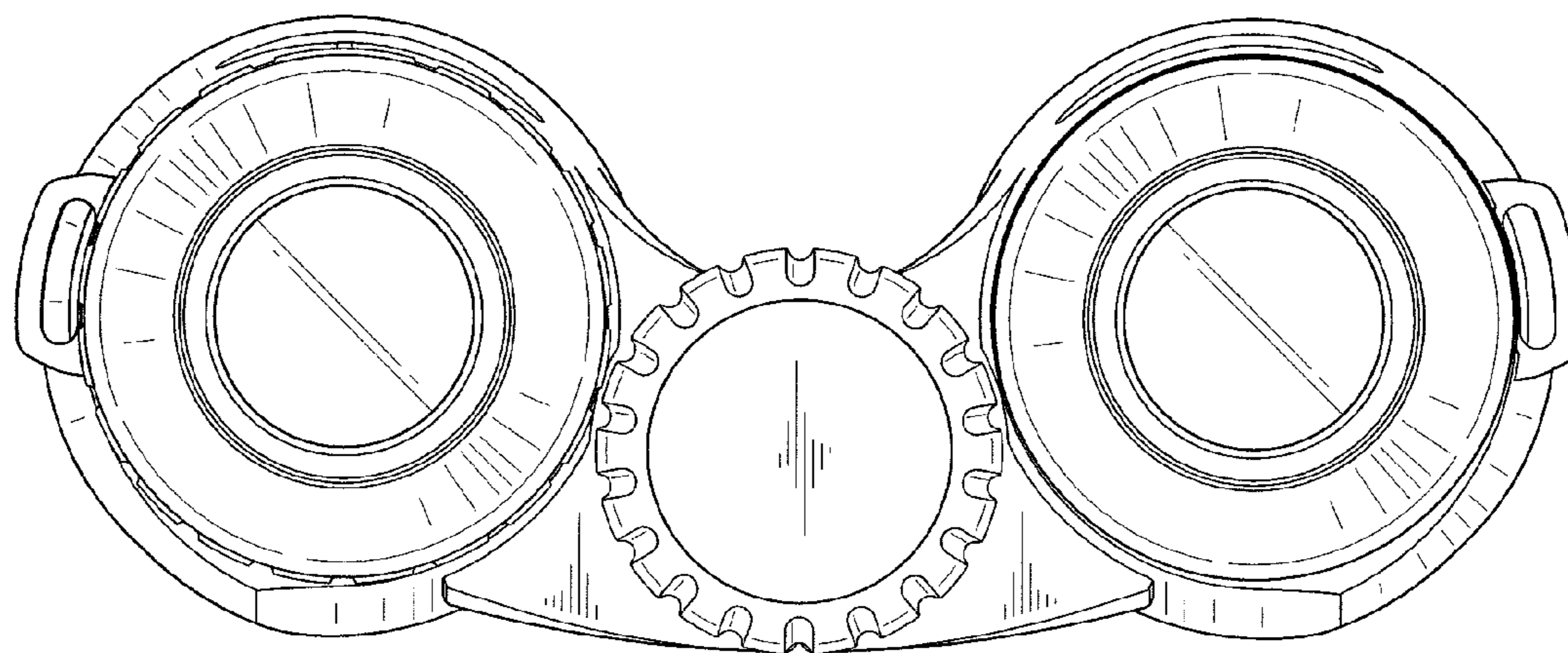


FIG. 4

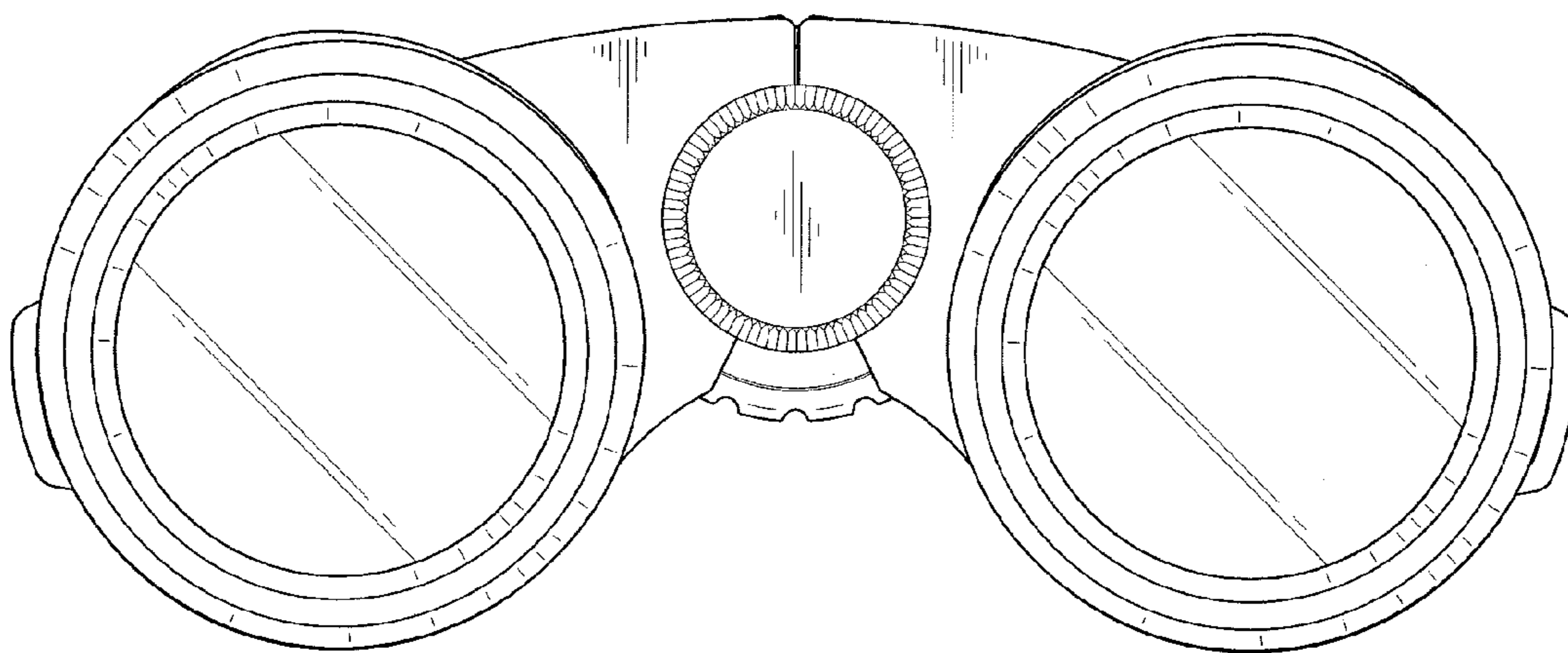


FIG. 5

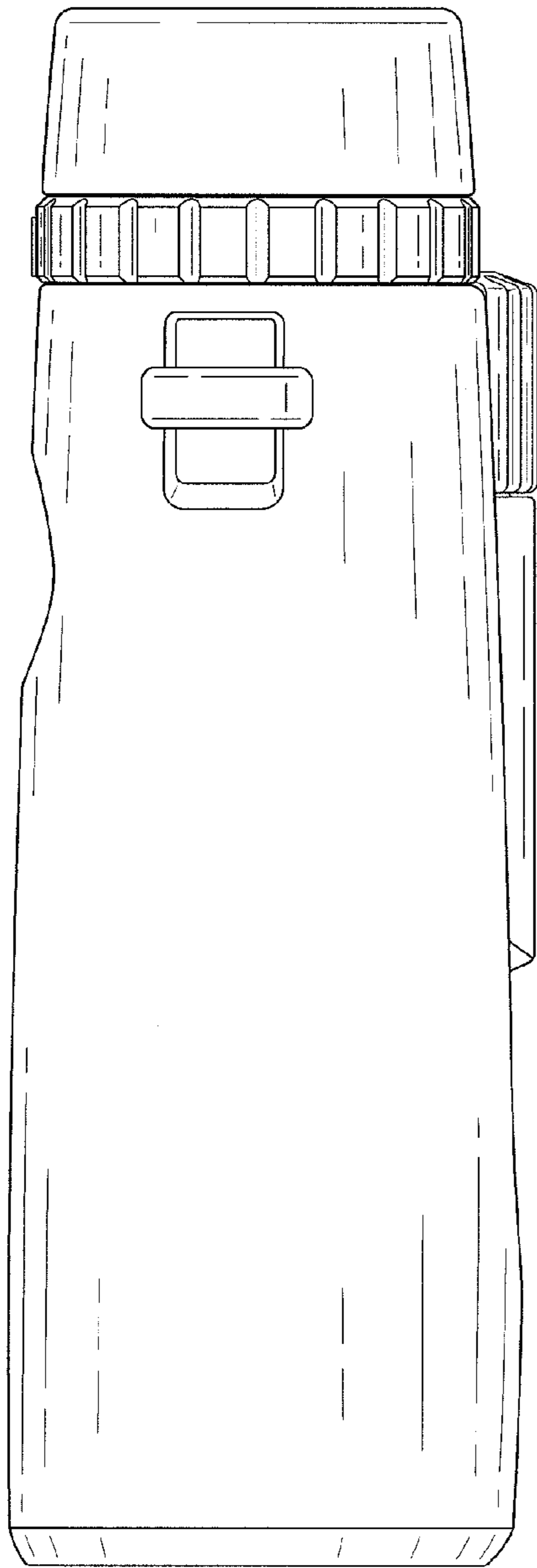


FIG. 6

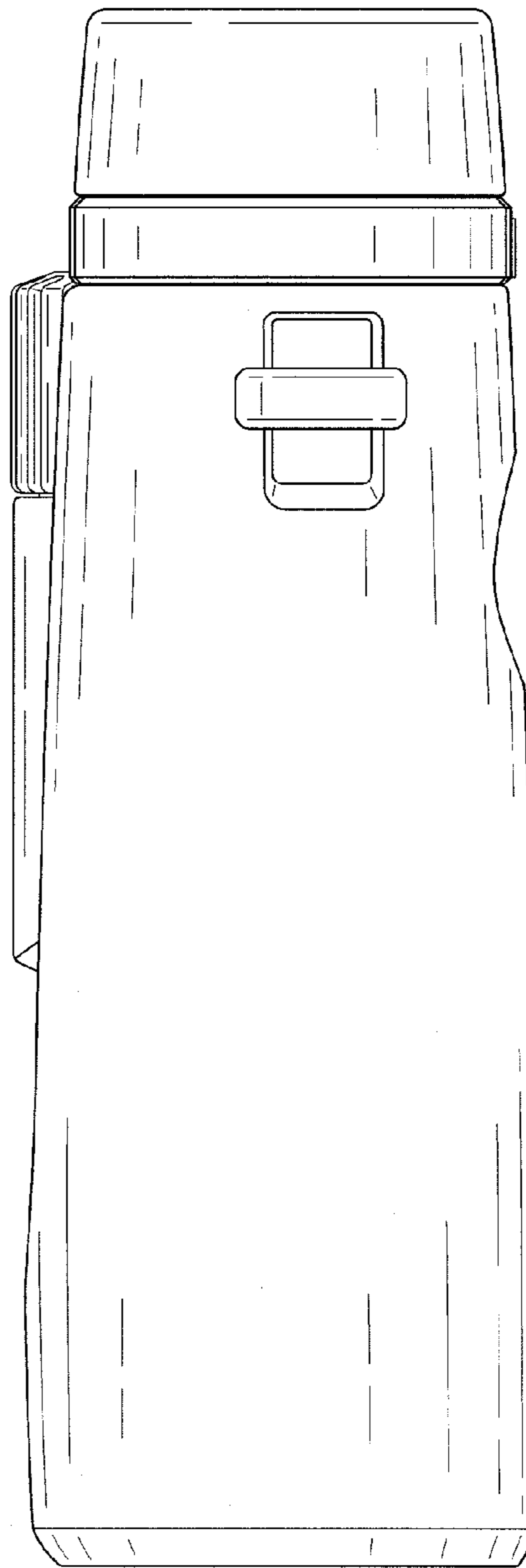


FIG. 7