



US00D602058S

(12) **United States Design Patent**
Dunn

(10) **Patent No.:** **US D602,058 S**

(45) **Date of Patent:** **** Oct. 13, 2009**

(54) **MICROSCOPE**

(75) **Inventor:** **Steven Dunn**, Leawood, KS (US)

(73) **Assignee:** **Ken-A-Vision Mfg. Co., Inc.**, Kansas City, MO (US)

(**) **Term:** **14 Years**

(21) **Appl. No.:** **29/329,652**

(22) **Filed:** **Dec. 18, 2008**

(51) **LOC (9) Cl.** **16-06**

(52) **U.S. Cl.** **D16/131**

(58) **Field of Classification Search** D16/130,
D16/131; D21/483; 248/125.2; 250/201.3;
359/368, 372, 376, 378, 379, 380, 381, 382,
359/383, 384, 385, 393, 390, 391

See application file for complete search history.

(56) **References Cited**

U.S. PATENT DOCUMENTS

2,264,835	A *	12/1941	Flint	359/381
2,696,755	A *	12/1954	Frischmann	359/379
3,132,200	A *	5/1964	Muller et al.	359/379
3,166,628	A *	1/1965	Walter	359/392
3,260,157	A *	7/1966	Boughton	359/379
3,507,561	A *	4/1970	Esmay	359/381
3,712,569	A *	1/1973	Dietrich	248/125.2
3,795,377	A *	3/1974	Dietrich	248/125.2
4,277,133	A *	7/1981	Staehle	359/380
D345,747	S *	4/1994	Holbl	D16/131
D420,028	S *	2/2000	Wani et al.	D16/131
D436,973	S *	1/2001	Kawahata	D16/131
D439,258	S *	3/2001	Kawahata	D16/131

D444,159	S *	6/2001	Hoelbl et al.	D16/131
D465,799	S *	11/2002	Asaka et al.	D16/131
6,479,807	B1 *	11/2002	Toshimitsu	250/201.3
D507,006	S *	7/2005	Apotheloz et al.	D16/131
D511,786	S *	11/2005	Apotheloz et al.	D16/131
D518,840	S *	4/2006	Copeland et al.	D16/131
D525,636	S *	7/2006	Apotheloz	D16/131
D546,355	S *	7/2007	Apotheloz	D16/131
D546,356	S *	7/2007	Apotheloz	D16/131
D592,689	S *	5/2009	Dunn	D16/131

* cited by examiner

Primary Examiner—Paula Greene

(74) *Attorney, Agent, or Firm*—Hovey Williams LLP

(57) **CLAIM**

The ornamental design for a microscope, as shown and described.

DESCRIPTION

FIG. 1 is an isometric view of the microscope;

FIG. 2 is a front elevational view of the microscope;

FIG. 3 is rear elevational view of the microscope;

FIG. 4 is a top plan view of the microscope;

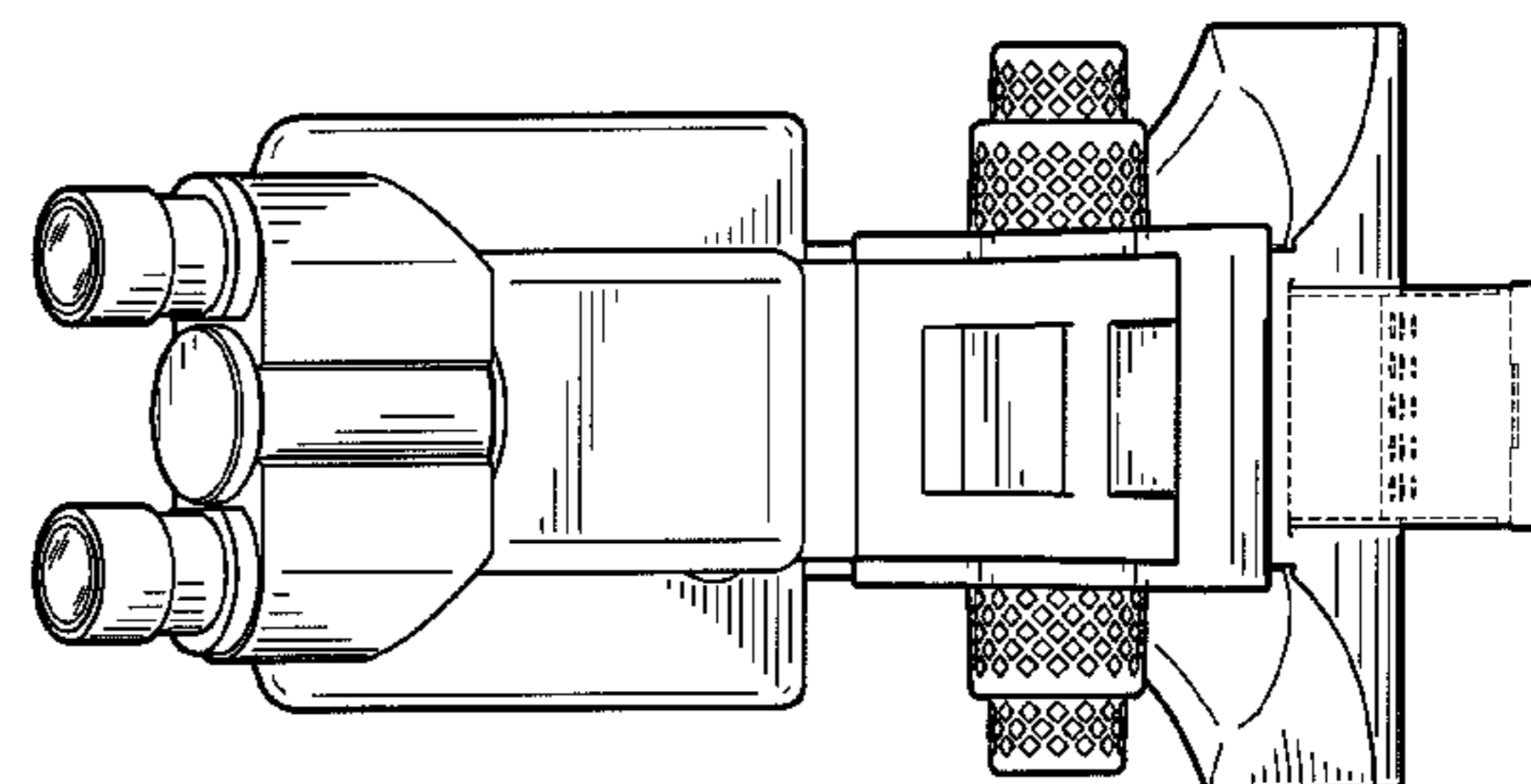
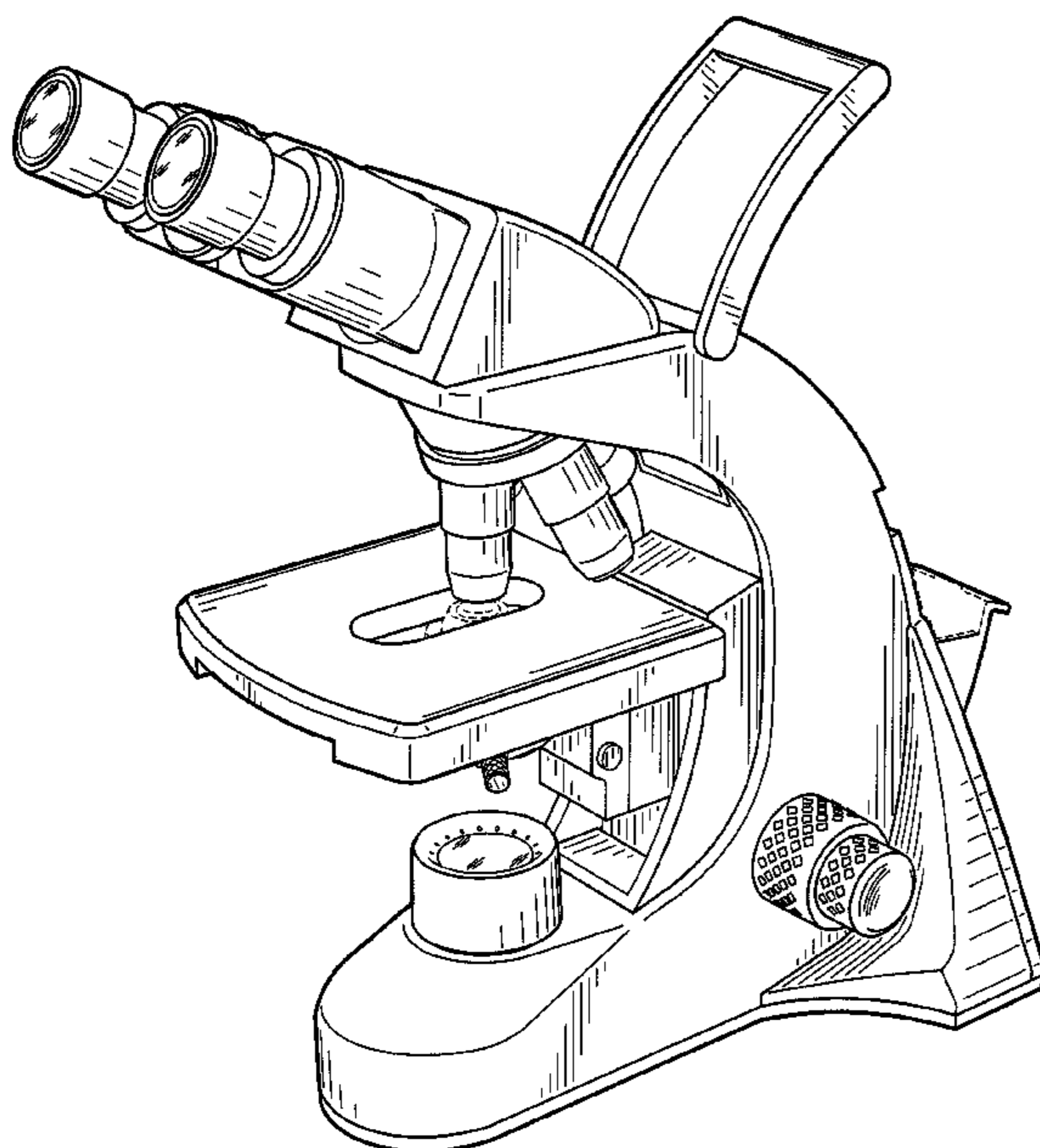
FIG. 5 is a right side elevational view of the microscope; and

FIG. 6 is a left side elevational view of the microscope; and,

FIG. 7 is a bottom plan view of the microscope.

The area inward of the broken lines forms no part of the claimed design.

1 Claim, 4 Drawing Sheets



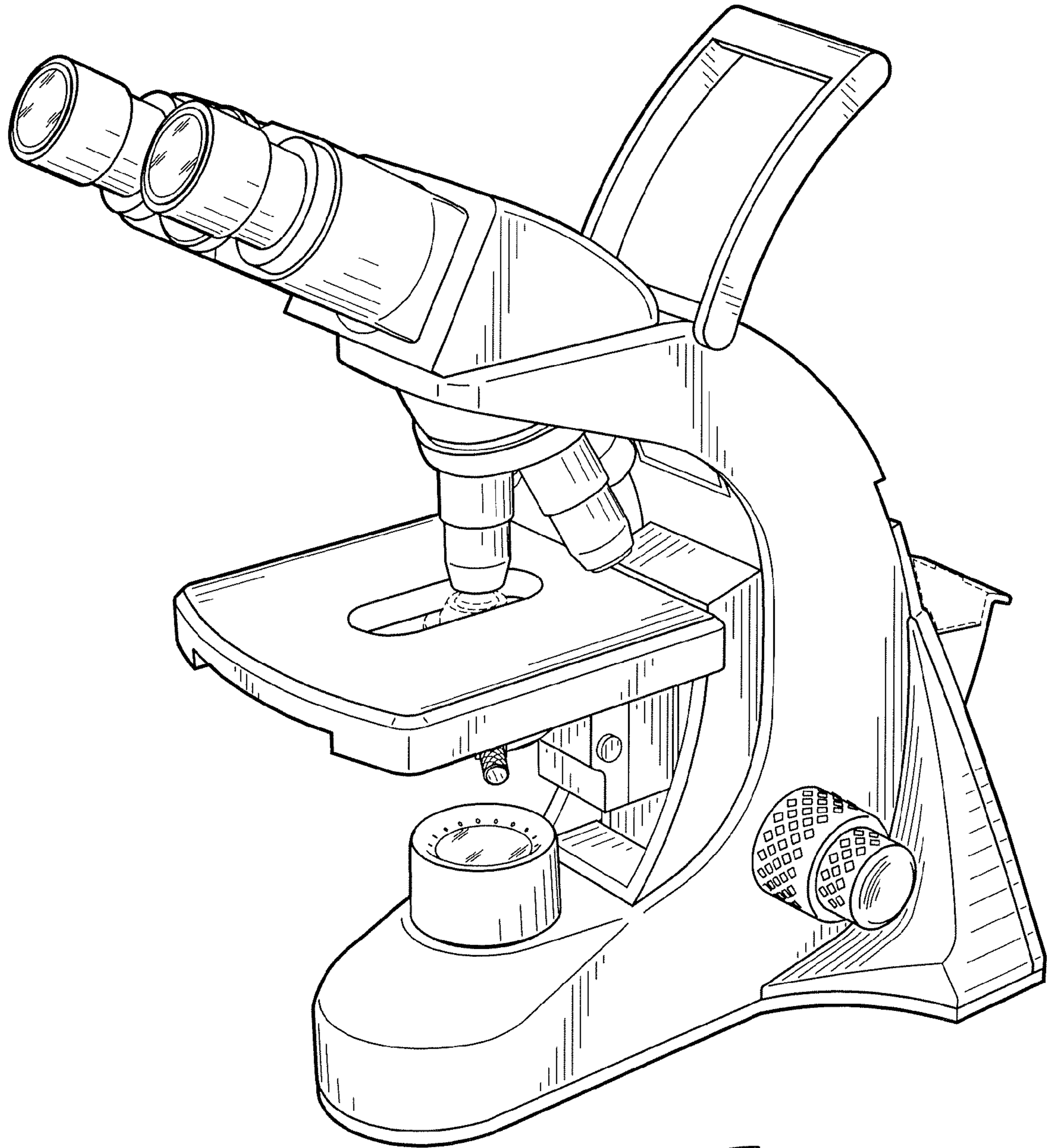


Fig. 1

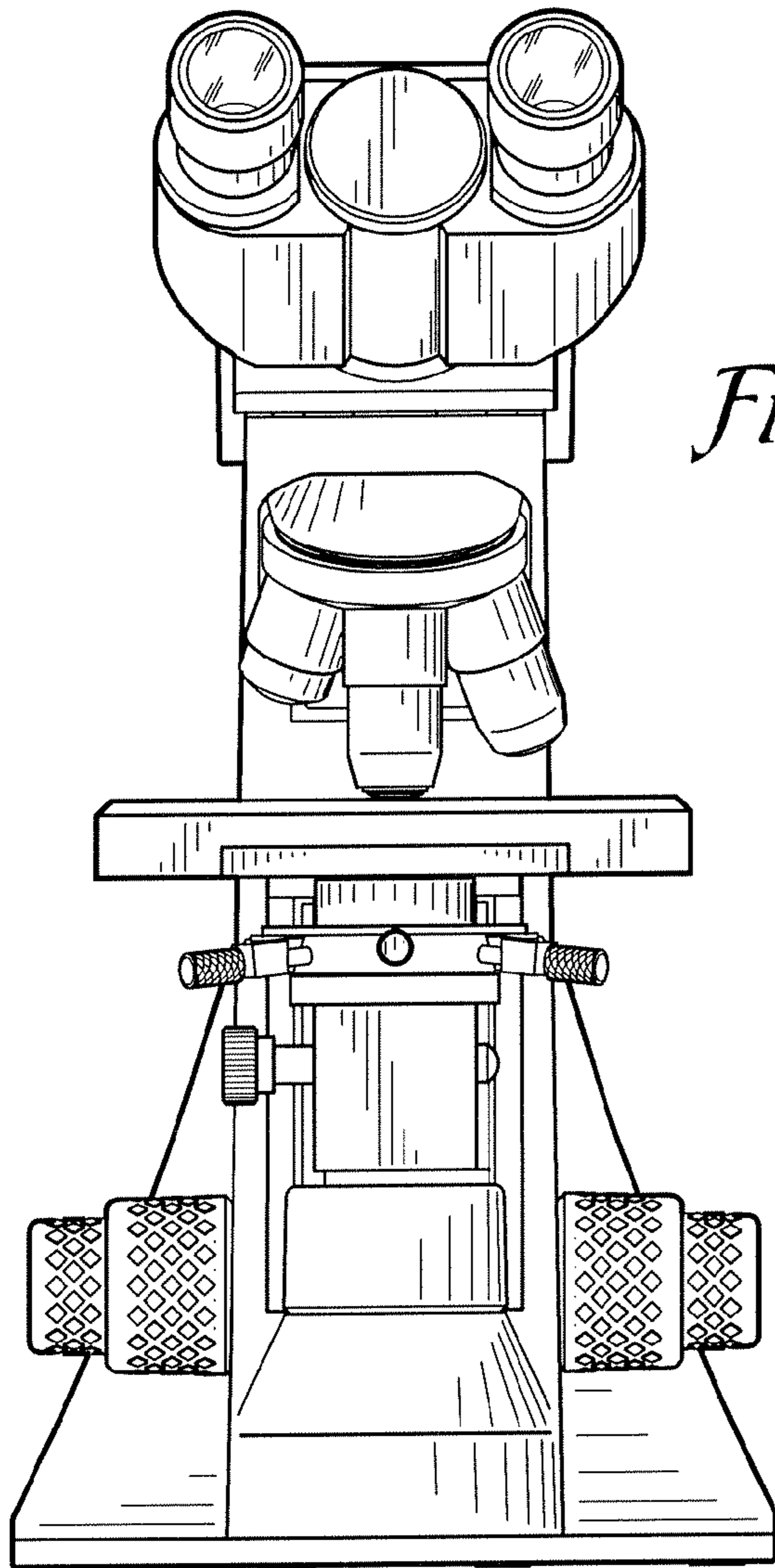


Fig. 2

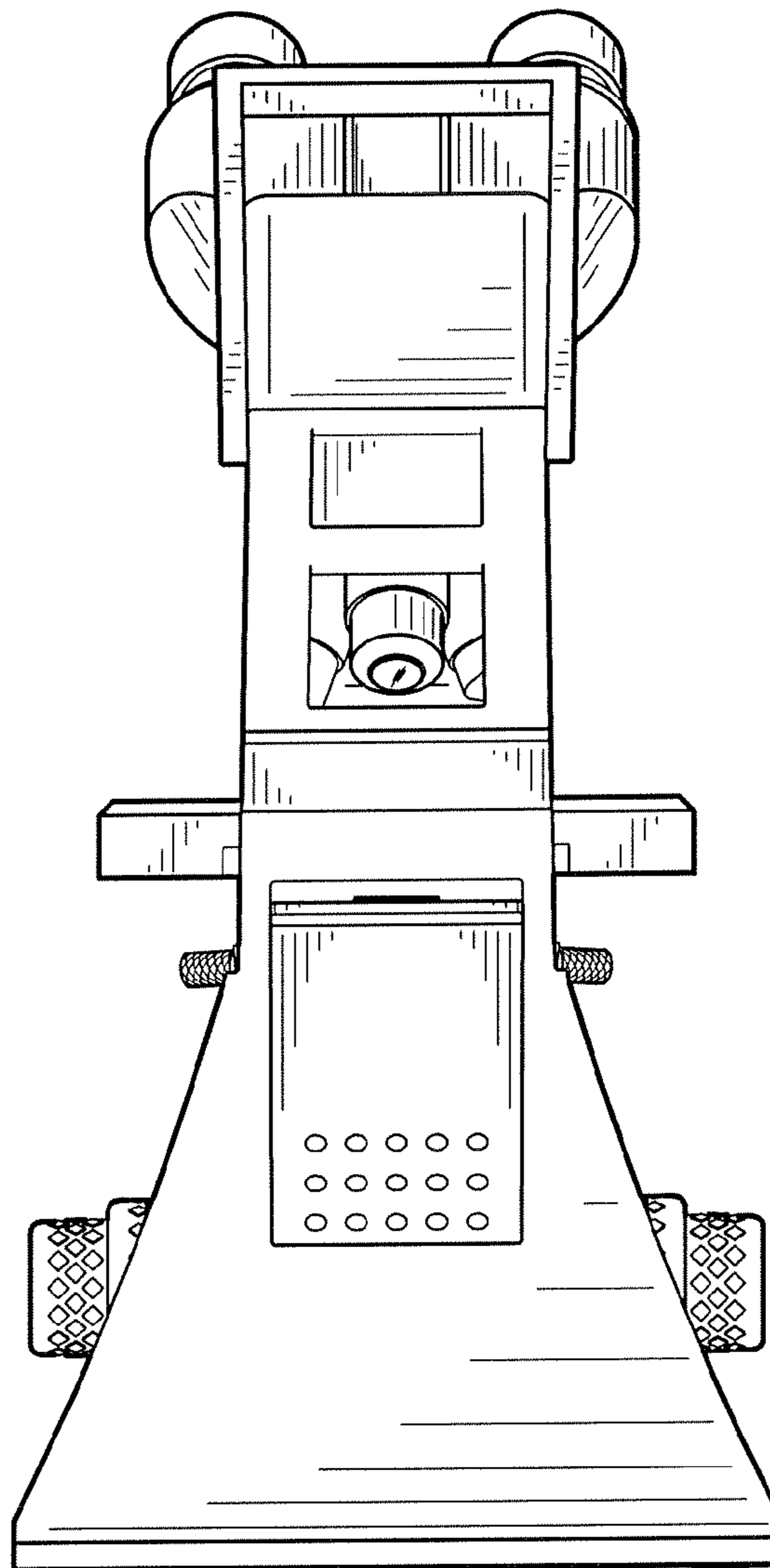


Fig. 3

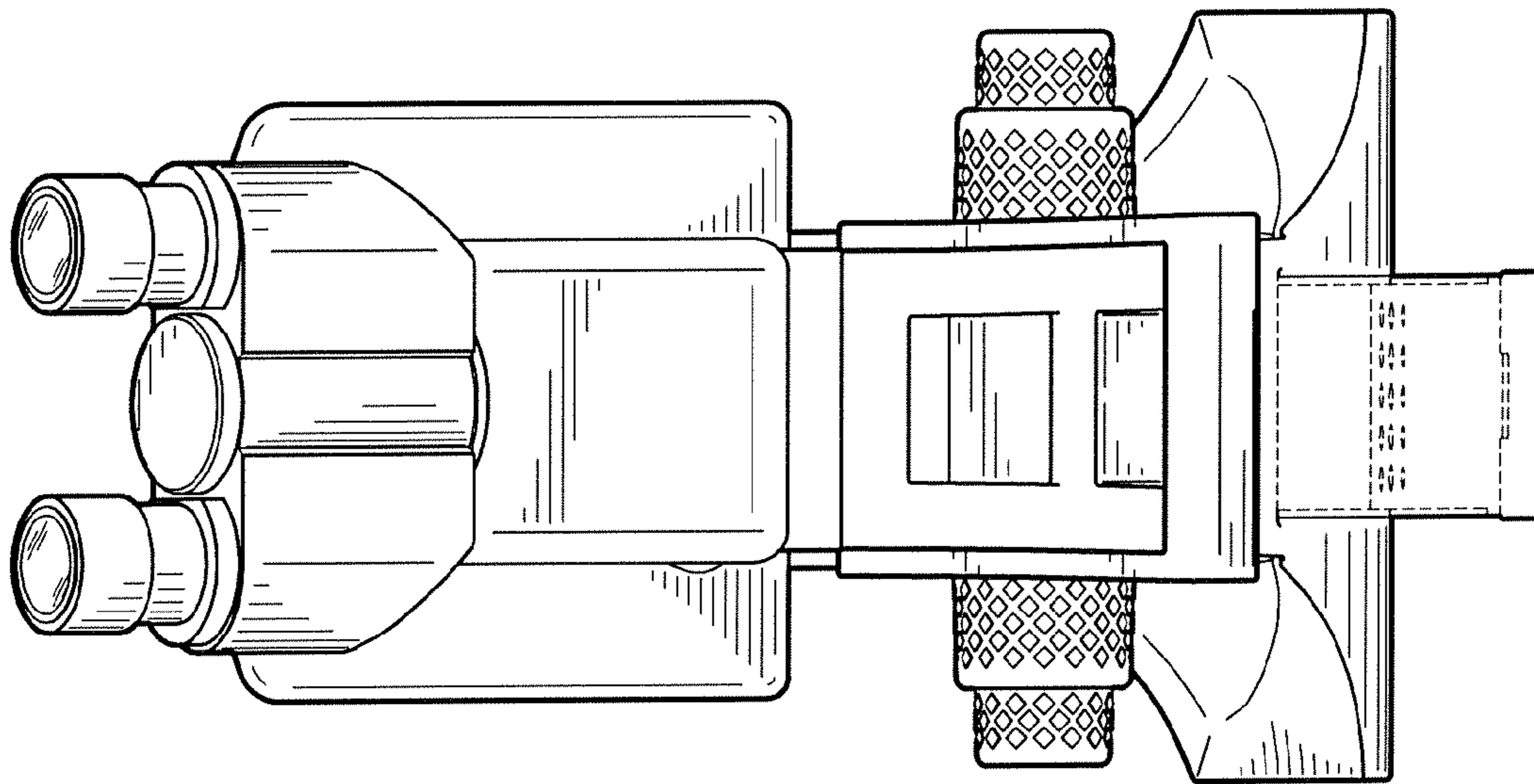


Fig. 4

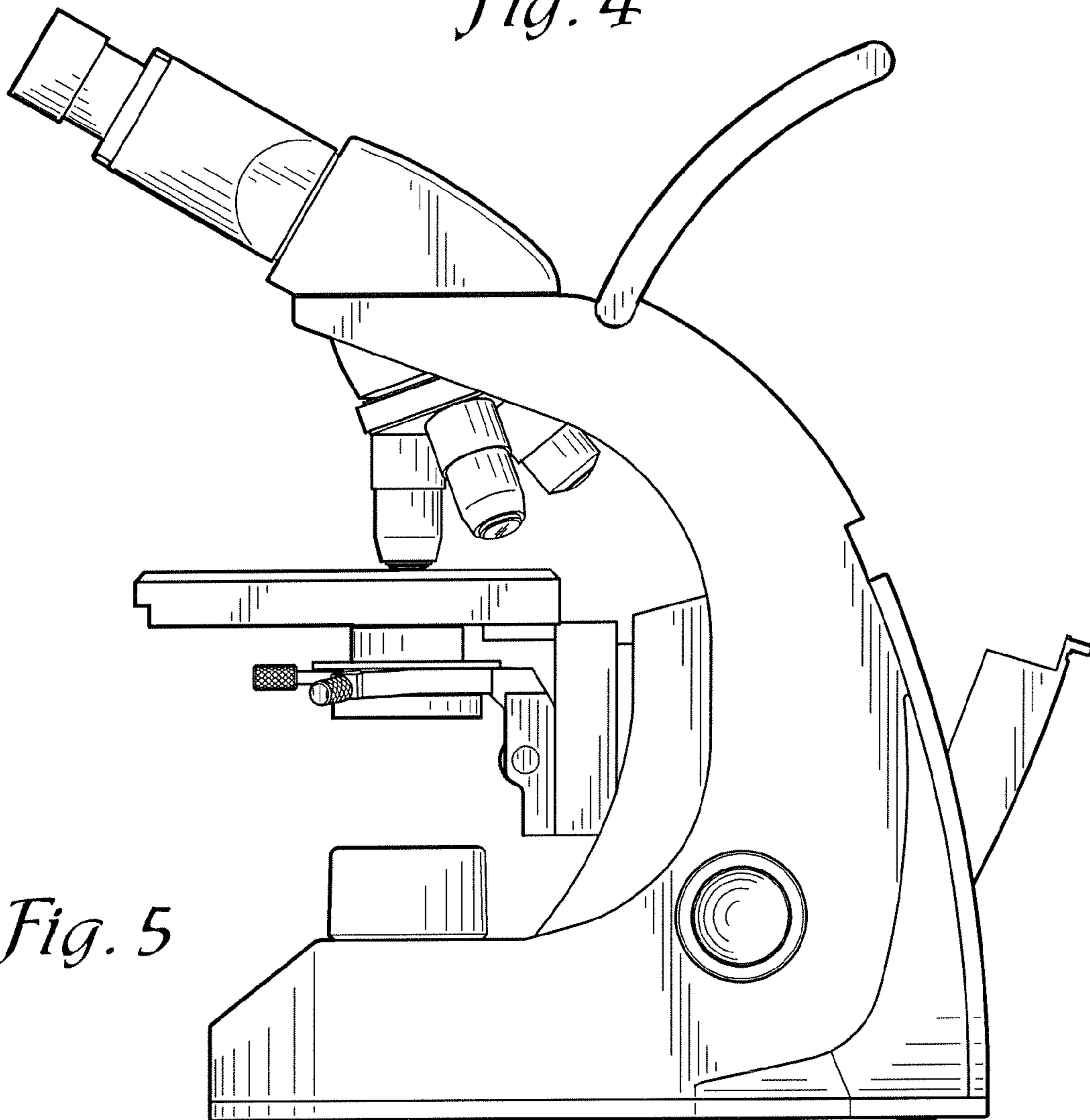


Fig. 5

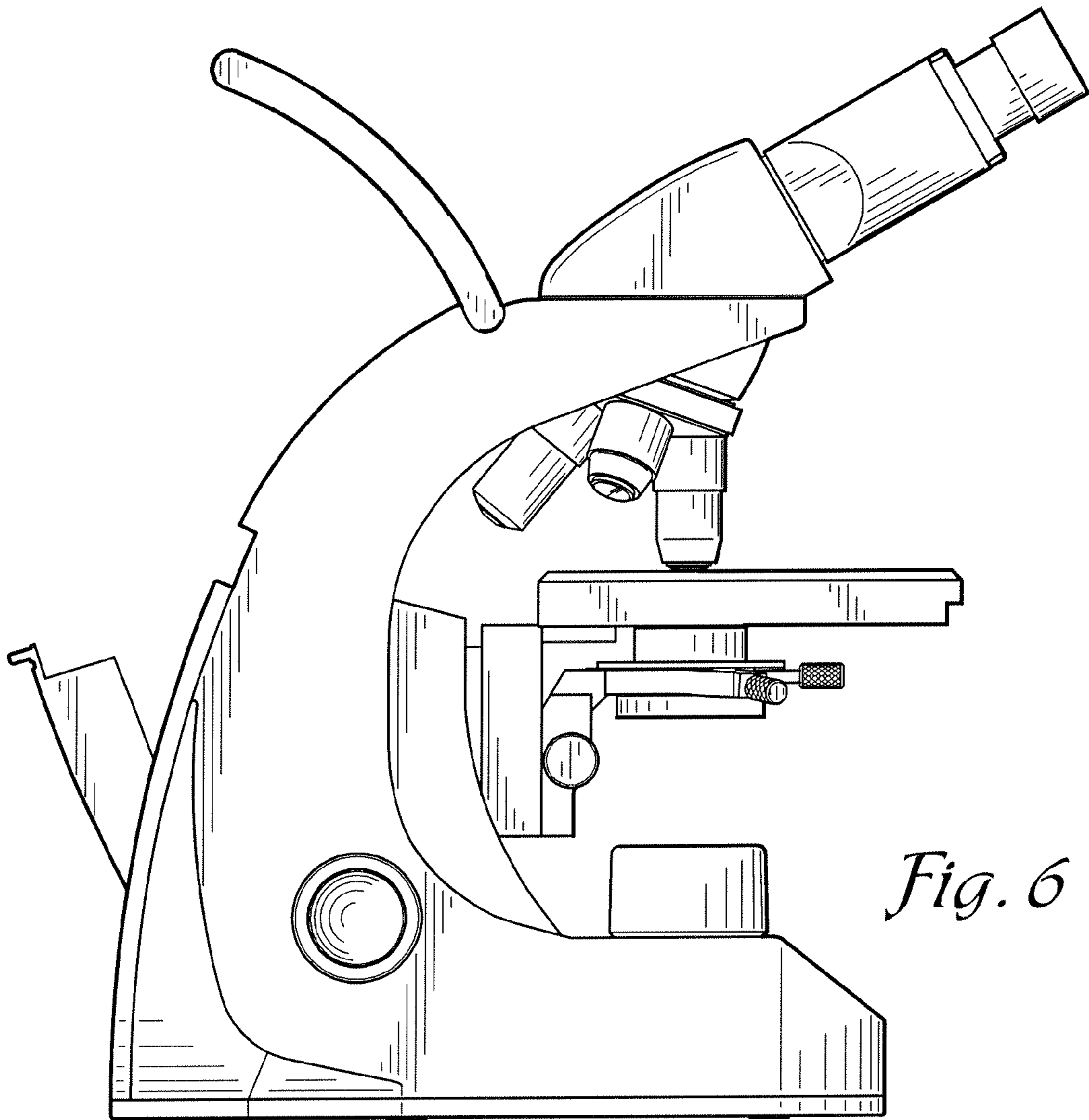


Fig. 6

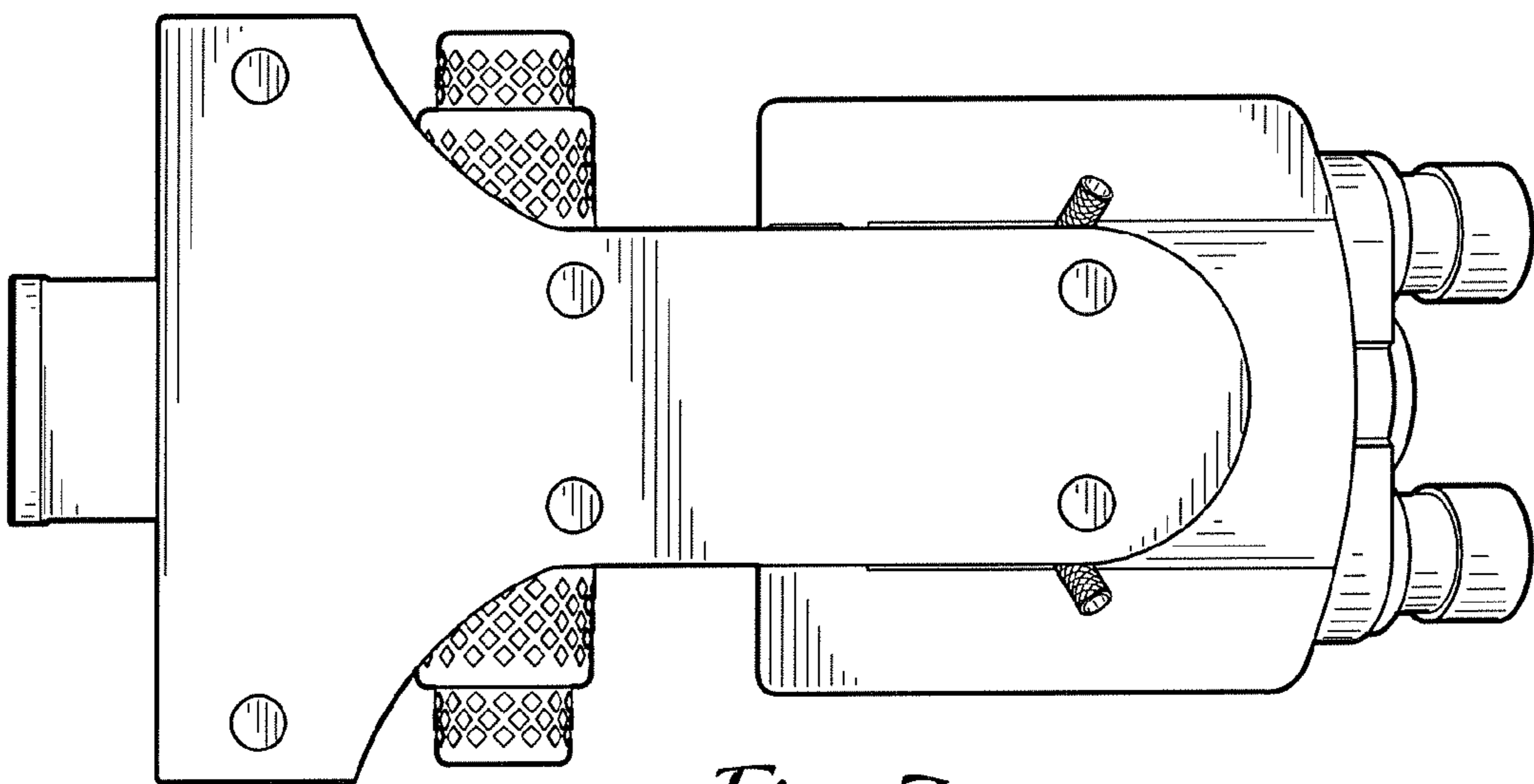


Fig. 7