



US00D602057S

(12) **United States Design Patent**  
**Osicki**

(10) **Patent No.:** **US D602,057 S**  
(45) **Date of Patent:** **\*\* Oct. 13, 2009**

(54) **WELDING CELL**

(75) Inventor: **David E. Osicki**, LeRoy Township, OH (US)

(73) Assignee: **Lincoln Global, Inc.**, City of Industry, CA (US)

(\*\*) Term: **14 Years**

(21) Appl. No.: **29/328,371**

(22) Filed: **Nov. 24, 2008**

(51) **LOC (9) Cl.** ..... **15-09**

(52) **U.S. Cl.** ..... **D15/144**

(58) **Field of Classification Search** ..... D15/144,  
D15/144.1, 144.2; 114/112; 219/56, 57,  
219/125.1, 136, 158; 901/42

See application file for complete search history.

(56) **References Cited**

**U.S. PATENT DOCUMENTS**

3,578,934	A *	5/1971	Beauvais	.....	219/56
D243,669	S *	3/1977	Webster	.....	D12/101
D275,292	S *	8/1984	Bouman	.....	D15/144
D275,293	S *	8/1984	Bouman	.....	D15/144
D280,329	S *	8/1985	Bouman	.....	D15/144
4,639,574	A *	1/1987	Arnoldt et al.	.....	219/125.1
6,772,932	B1 *	8/2004	Halstead	.....	228/45
7,238,916	B2 *	7/2007	Samodell et al.	.....	219/125.1
2002/0079300	A1 *	6/2002	Baum et al.	.....	219/125.1
2006/0108342	A1 *	5/2006	Samodell et al.	.....	219/125.1
2007/0235433	A1 *	10/2007	Osicki	.....	219/125.1

**OTHER PUBLICATIONS**

Web printout, "Fanuc Robotics' Cert Program Strives to Bridge Skills Gap with Hands-On Integrated Certified Training", 4 pgs., at least as early as Jun. 2008, Fanuc Robotics America, Inc.

\* cited by examiner

*Primary Examiner*—Robert M Spear

*Assistant Examiner*—Patricia Palasik

(74) *Attorney, Agent, or Firm*—Calfee, Halter & Griswold LLP

(57) **CLAIM**

I claim the ornamental design for a welding cell, as shown and described.

**DESCRIPTION**

FIG. 1 is a perspective view of a welding cell of the new design;

FIG. 2 is a front elevational view of the welding cell of FIG. 1;

FIG. 3 is a right side elevational view of the welding cell of FIG. 1;

FIG. 4 is a back elevational view of the welding cell of FIG. 1;

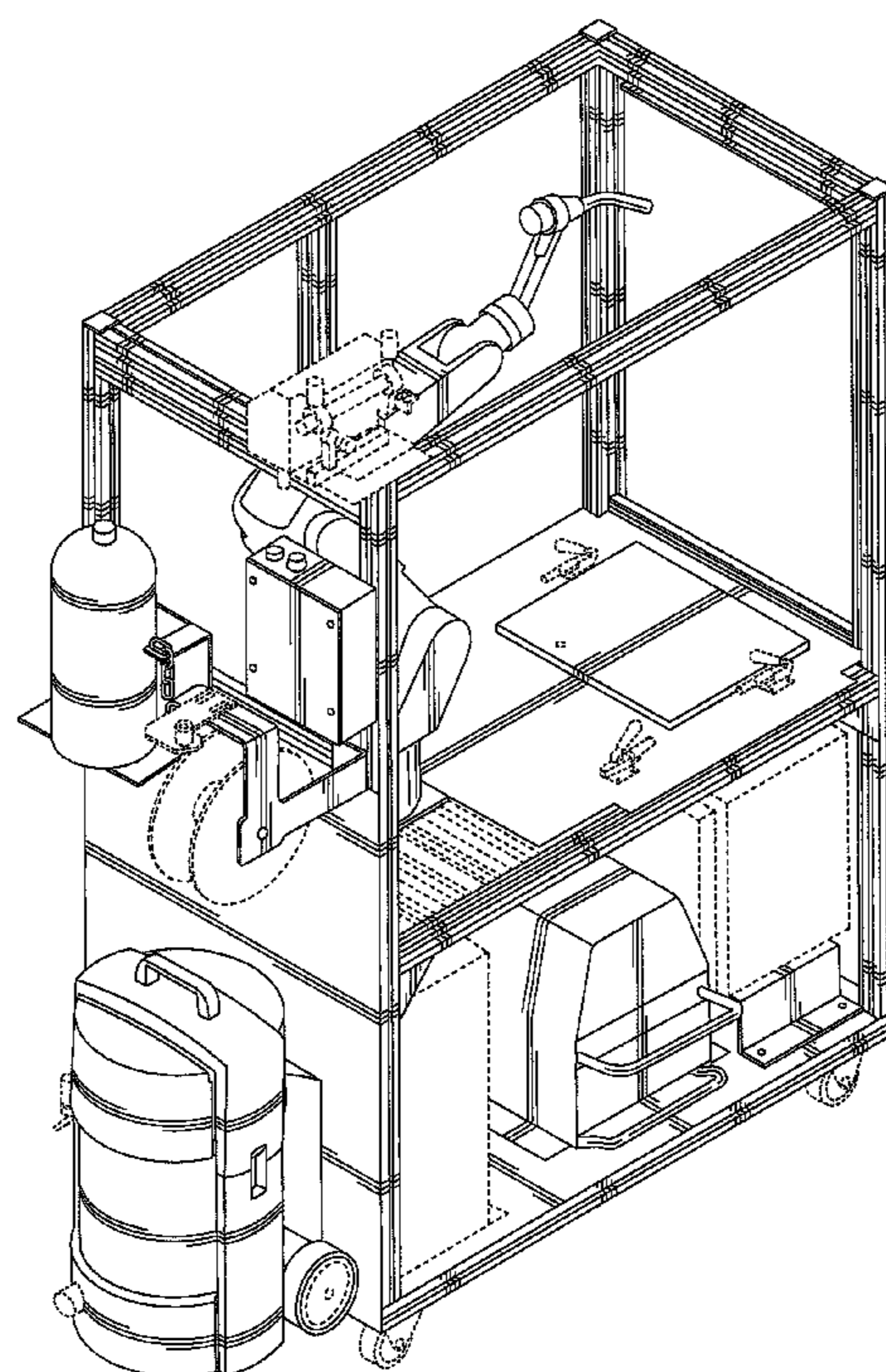
FIG. 5 is a left side elevational view of the welding cell of FIG. 1;

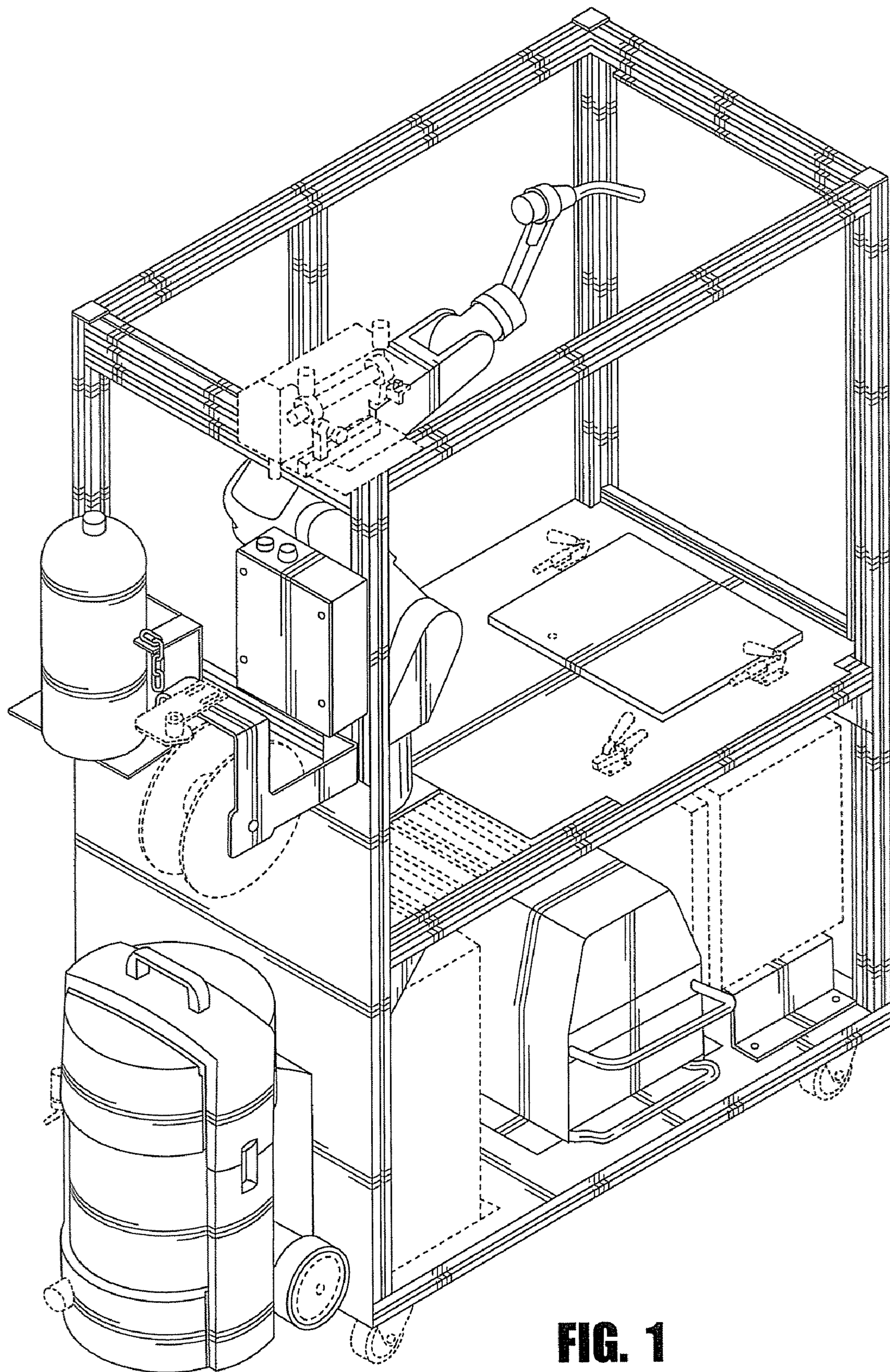
FIG. 6 is a top plan view of the welding cell of FIG. 1; and,

FIG. 7 is a bottom plan view of the welding cell of FIG. 1.

The portions of the Figures shown in broken lines are for illustration only and form no part of the claimed design.

**1 Claim, 7 Drawing Sheets**





**FIG. 1**

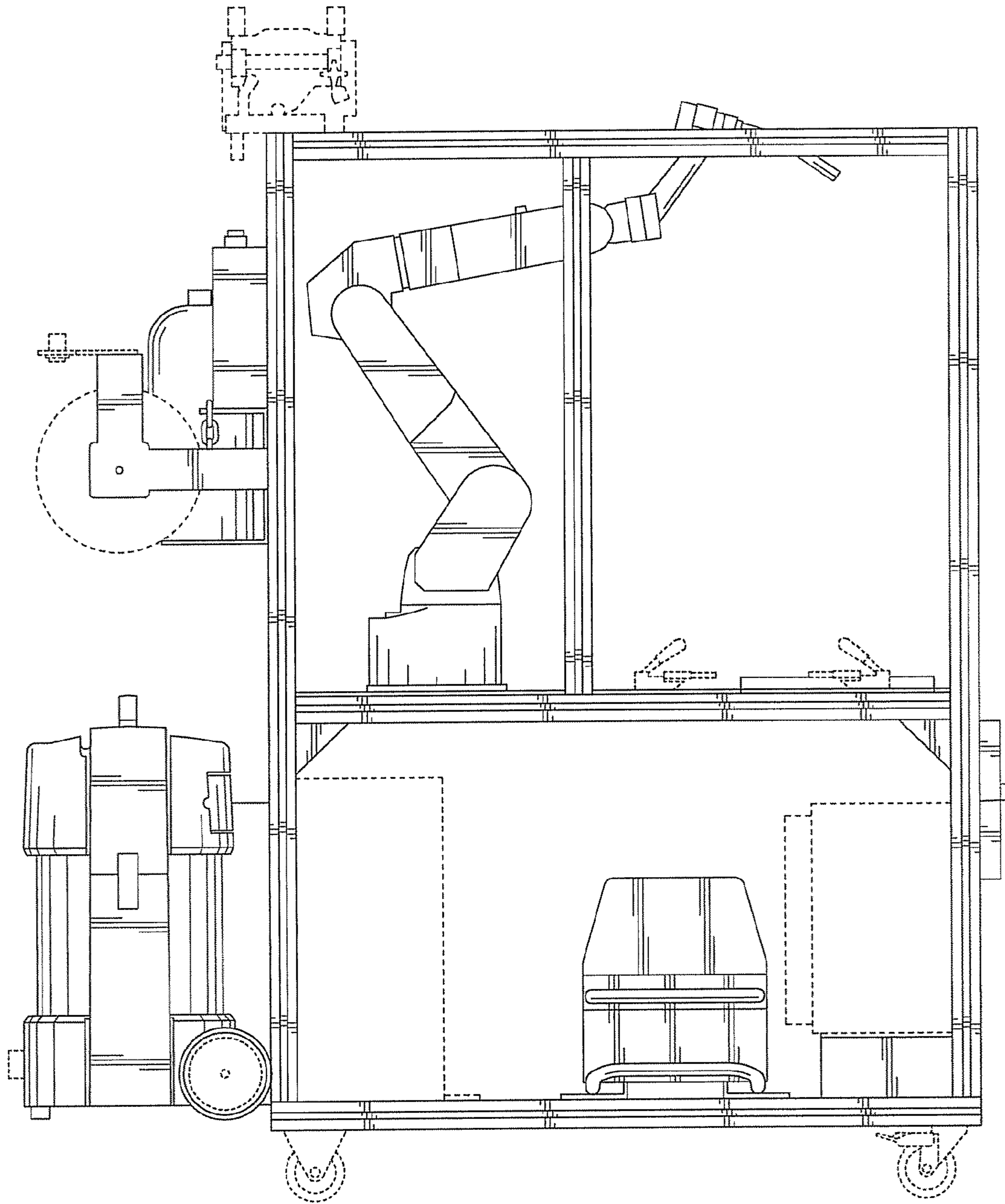
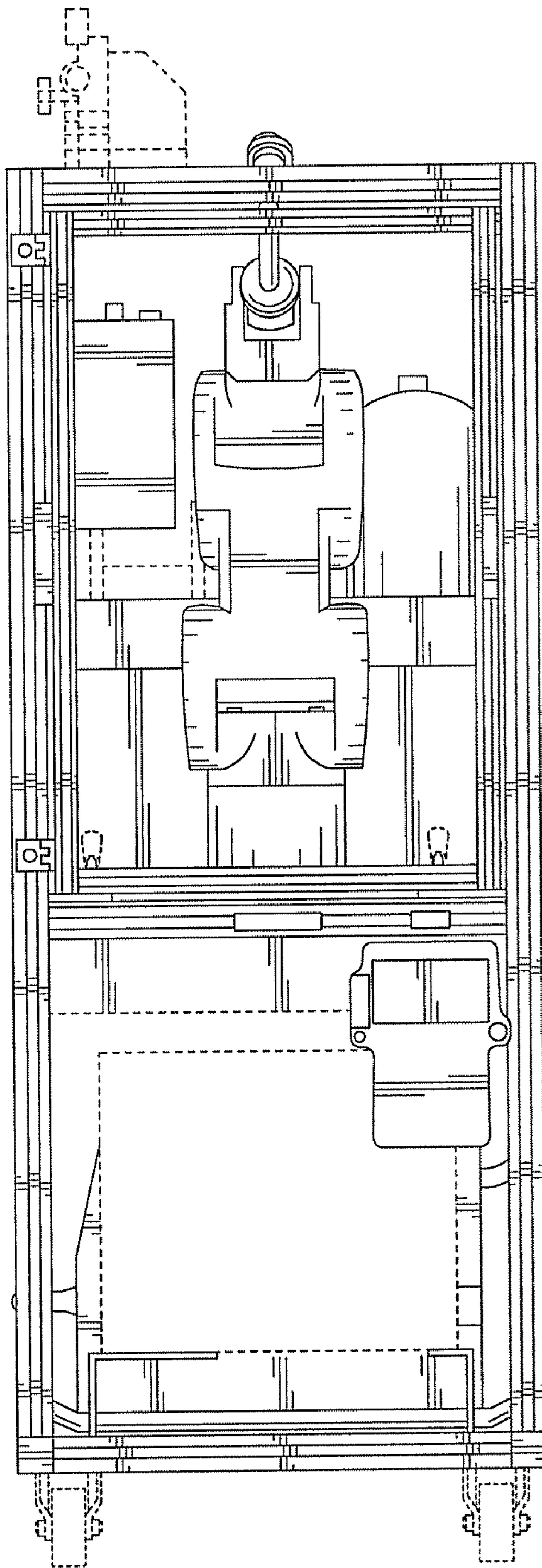
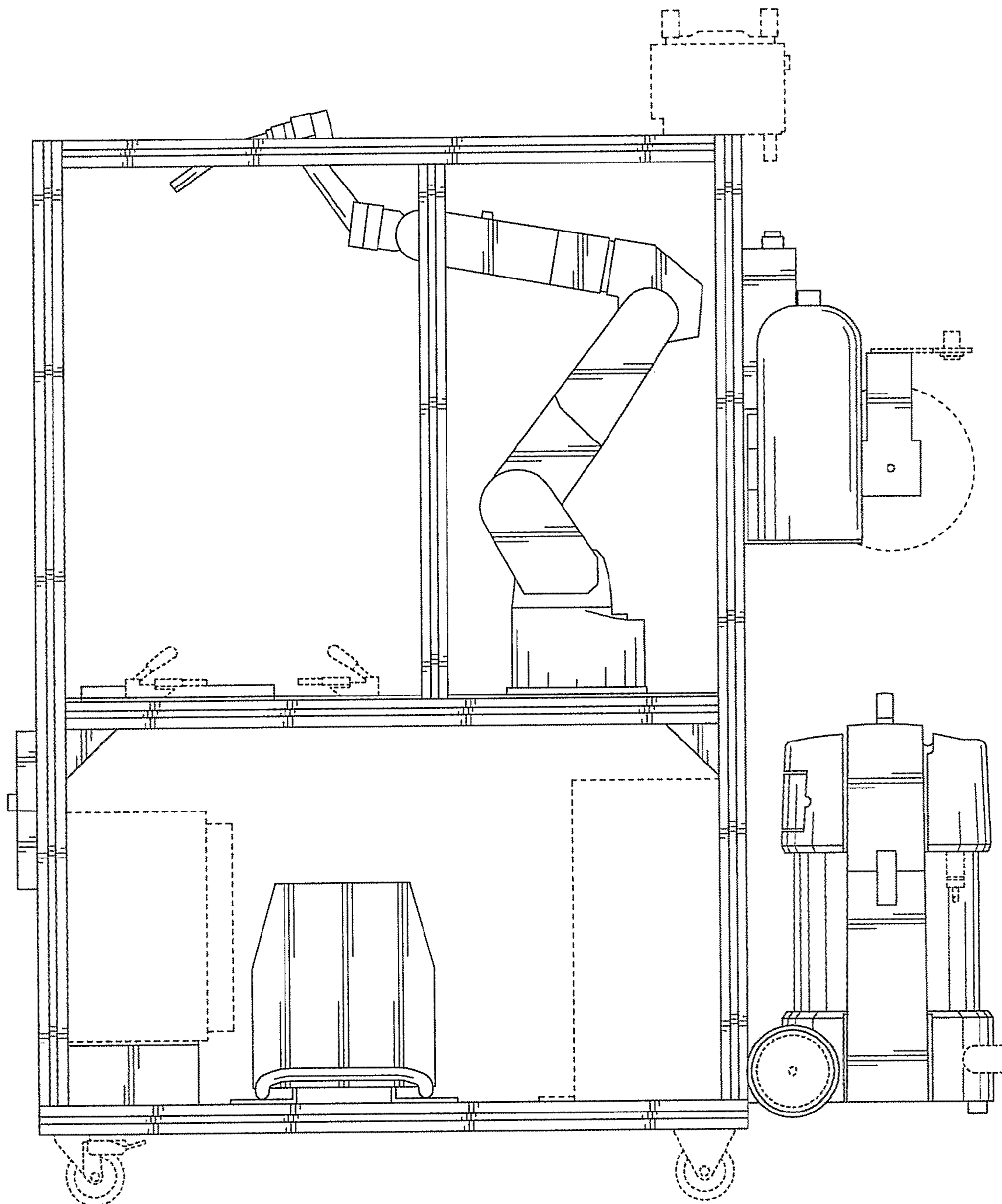


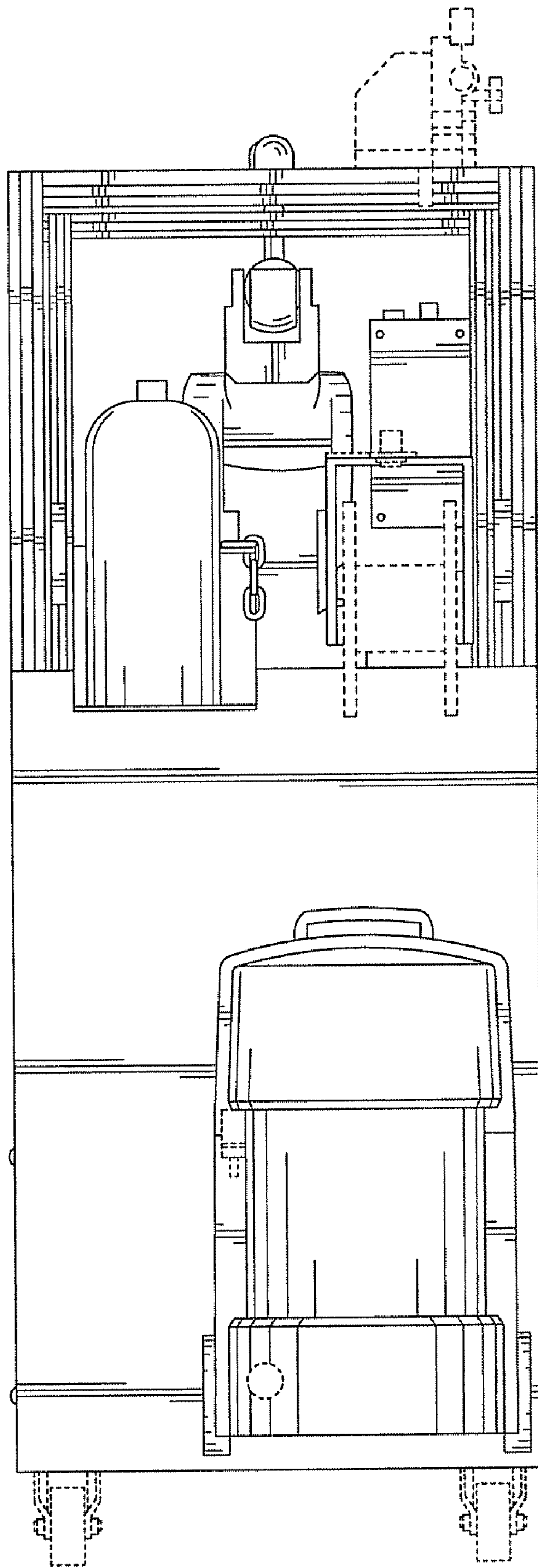
FIG. 2



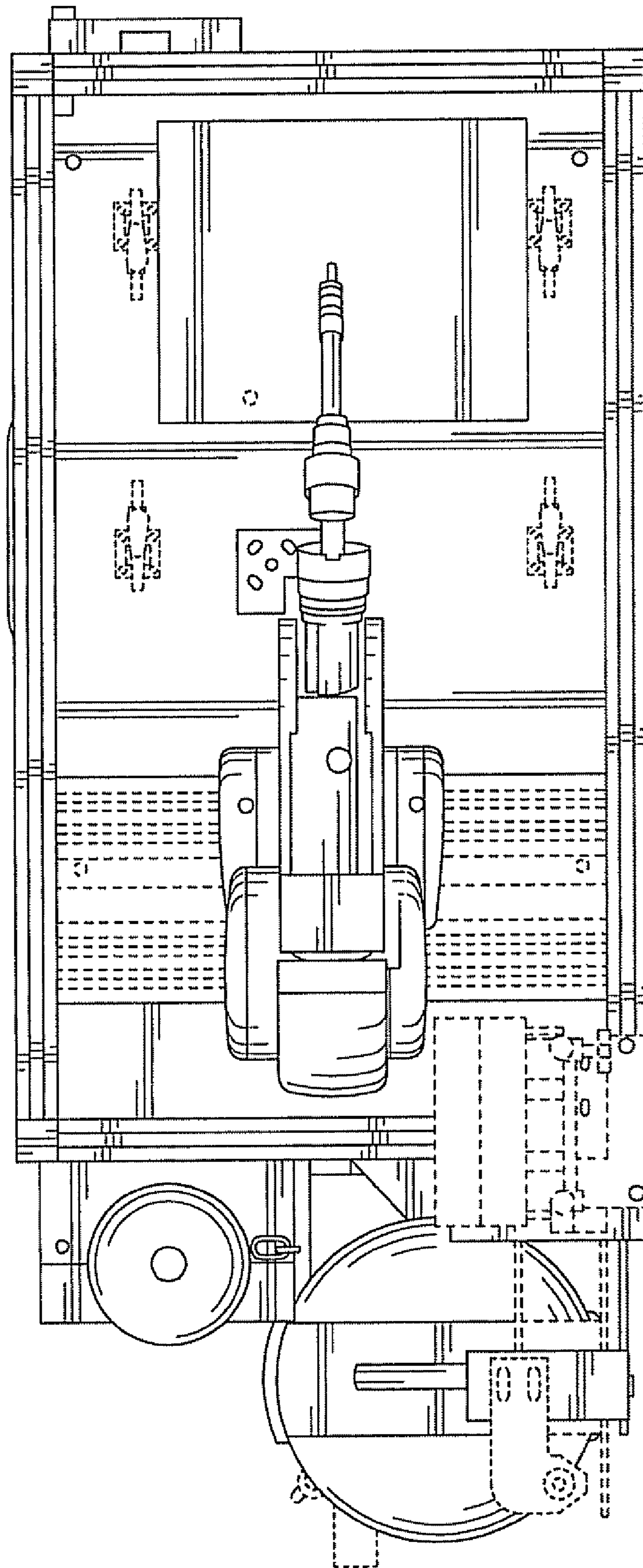
**FIG. 3**



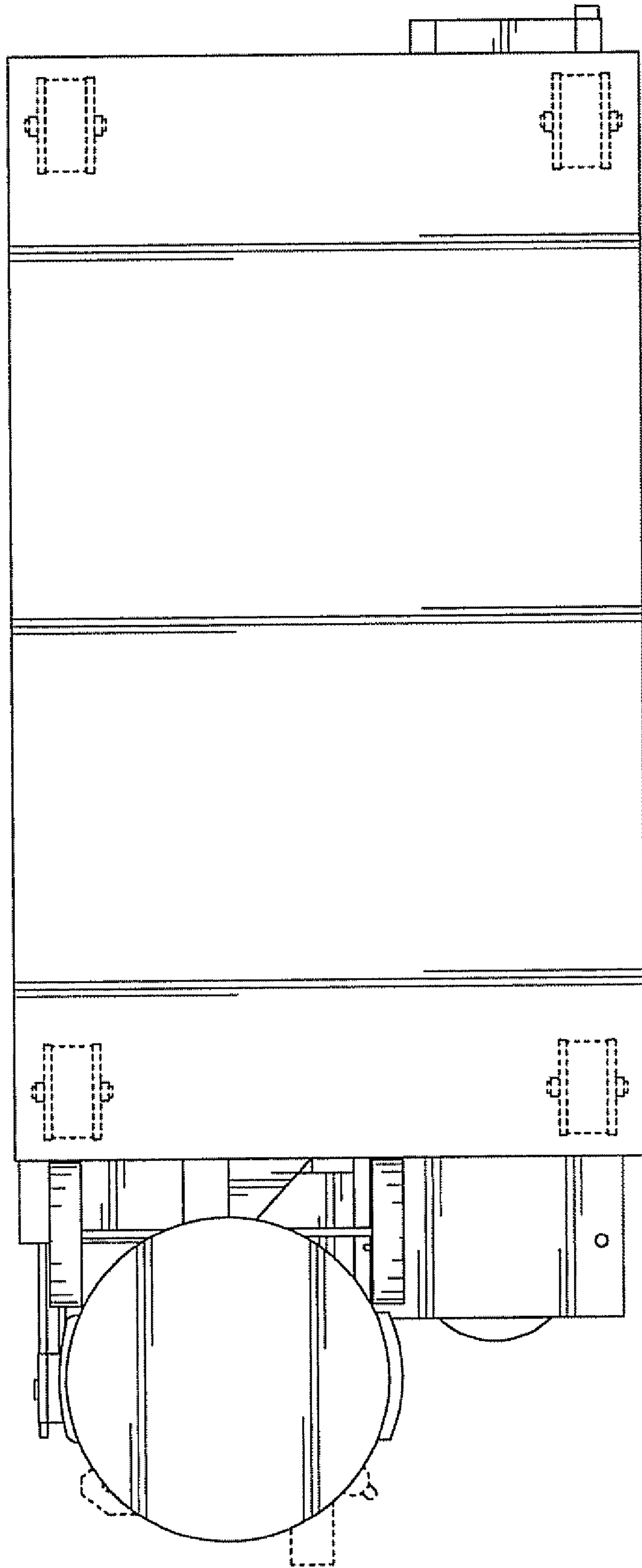
**FIG. 4**



**FIG. 5**



**FIG. 6**



**FIG. 7**