



US00D602056S

(12) **United States Design Patent**
Lin

(10) **Patent No.:** **US D602,056 S**
(45) **Date of Patent:** **** Oct. 13, 2009**

(54) **TOOL BIT**

D576,258 S * 9/2008 Ribers D23/262
D585,918 S * 2/2009 Chiang D15/139

(76) Inventor: **Hsiu-Nien Lin**, 3F.-5, No. 262, Sec. 2,
Henan Rd., Situn District, Taichung City
407 (TW)

* cited by examiner

(**) Term: **14 Years**

Primary Examiner—Robert M Spear
Assistant Examiner—Patricia Palasik
(74) *Attorney, Agent, or Firm*—Banger Shia

(21) Appl. No.: **29/338,560**

(57) **CLAIM**

(22) Filed: **Jun. 14, 2009**

I claim the ornamental design for a tool bit, as shown and described.

(51) **LOC (9) Cl.** **15-09**

(52) **U.S. Cl.** **D15/139**

(58) **Field of Classification Search** D8/55,
D8/70, 71; D15/138, 139, 140; D23/262;
82/158; 279/19.3, 19.5; 299/10, 104; 407/64,
407/99, 101, 102, 117; 408/143, 144, 223,
408/226, 239, 240

See application file for complete search history.

DESCRIPTION

(56) **References Cited**

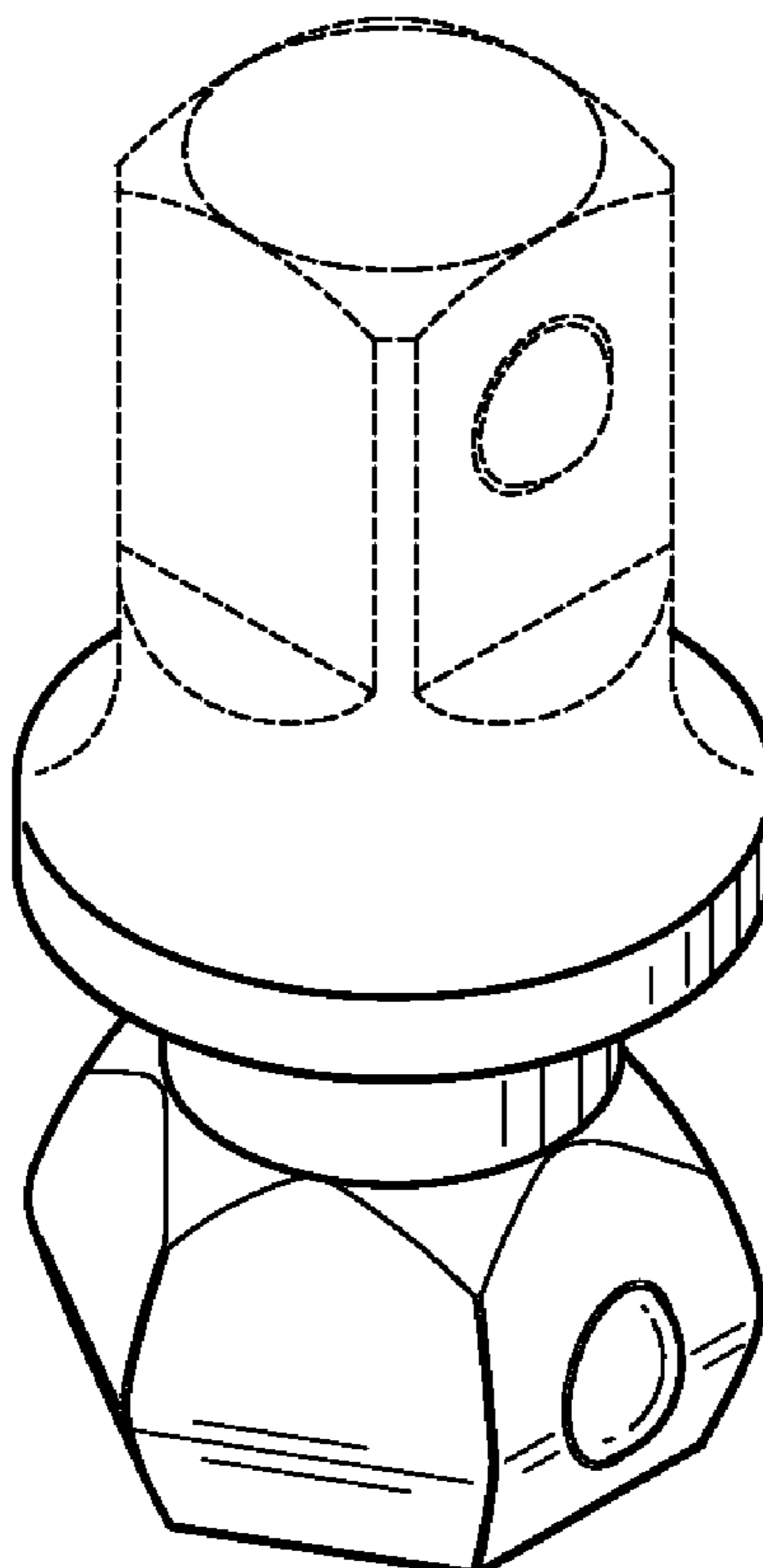
U.S. PATENT DOCUMENTS

D235,343 S * 6/1975 Otto D23/262
6,620,083 B2 * 9/2003 Ninomiya et al. 483/65
D529,778 S * 10/2006 Albertson et al. D8/70
D558,241 S * 12/2007 Chiang D15/139
D570,457 S * 6/2008 Brown D23/262

FIG. 1 is a perspective view of a tool bit;
FIG. 2 is a front view thereof;
FIG. 3 is a rear view thereof;
FIG. 4 is a left view thereof;
FIG. 5 is a right view thereof;
FIG. 6 is a top plan view thereof; and,
FIG. 7 is a bottom plan view thereof.

The broken lines shown in the drawings illustrate unclaimed portions of the article and form no part of the claimed design.

1 Claim, 4 Drawing Sheets



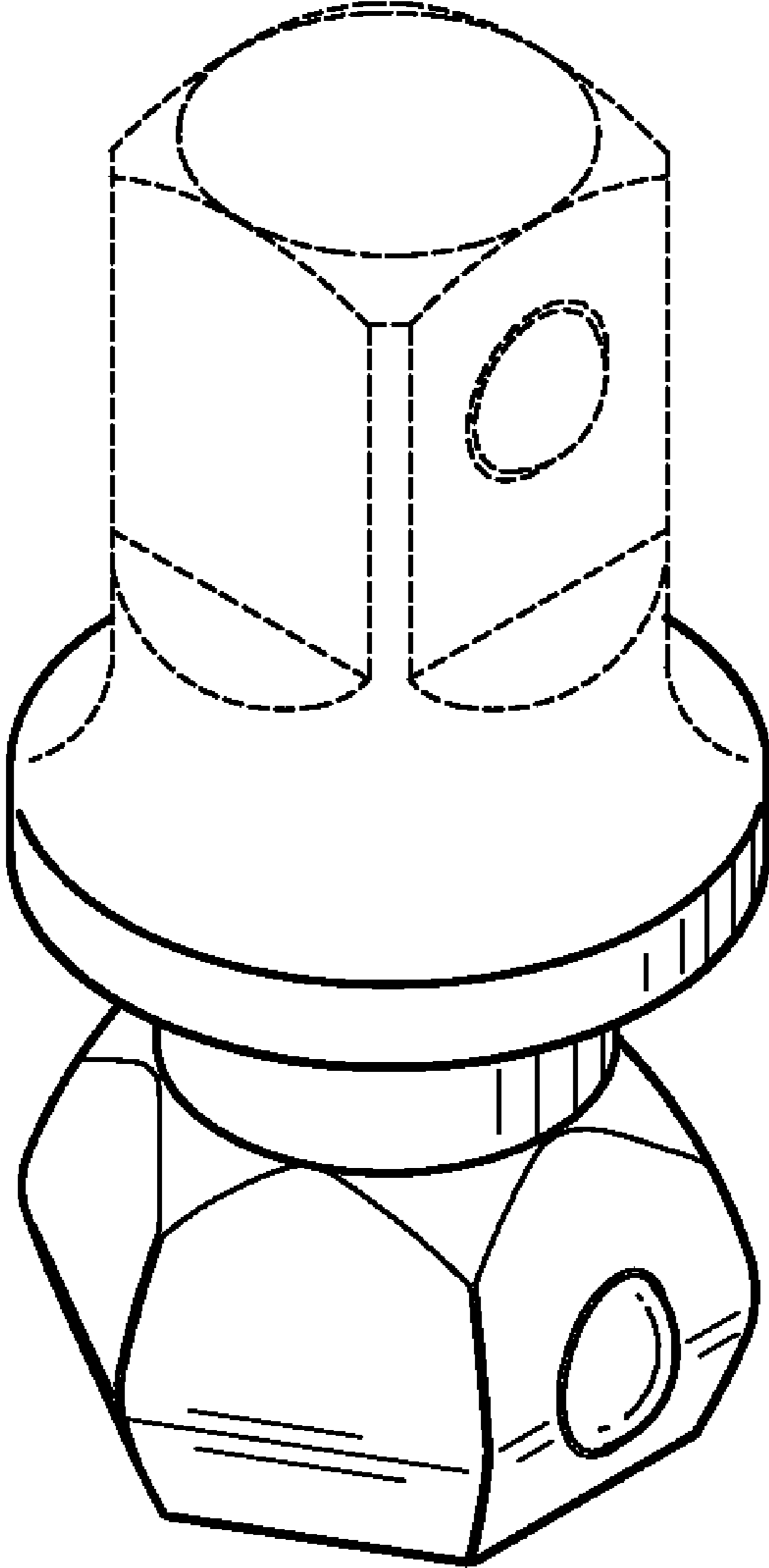


FIG. 1

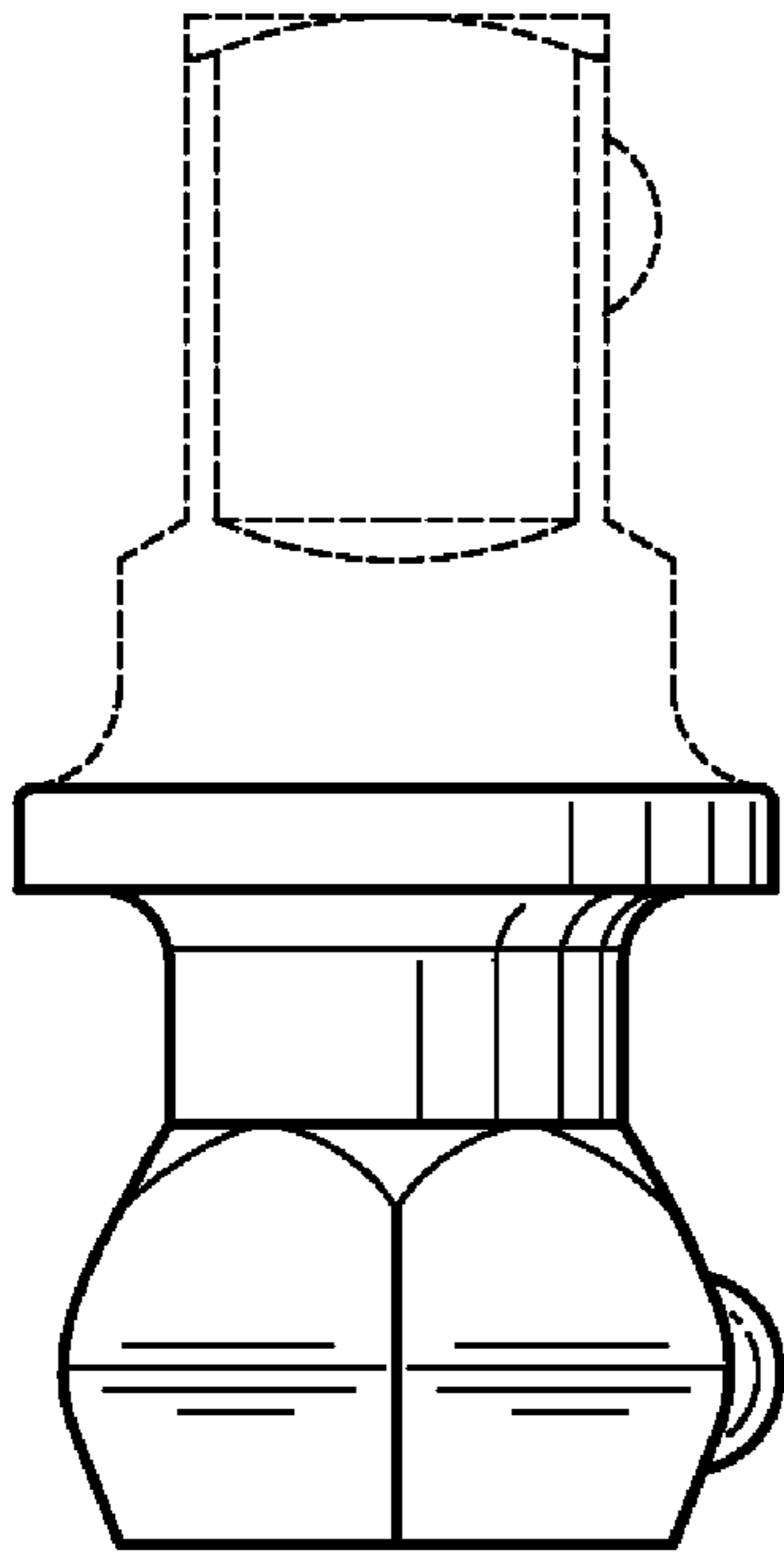


FIG. 2

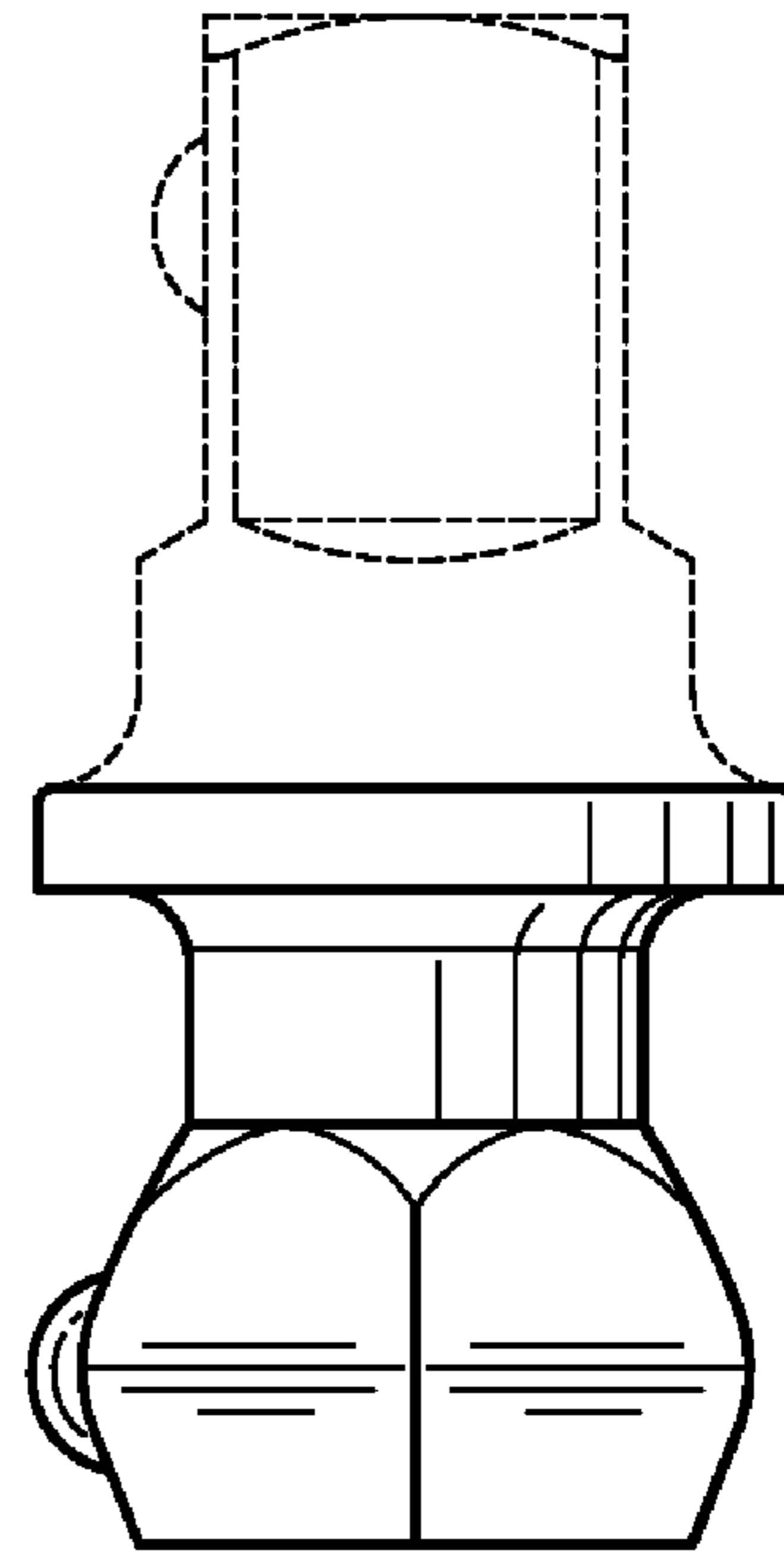


FIG. 3

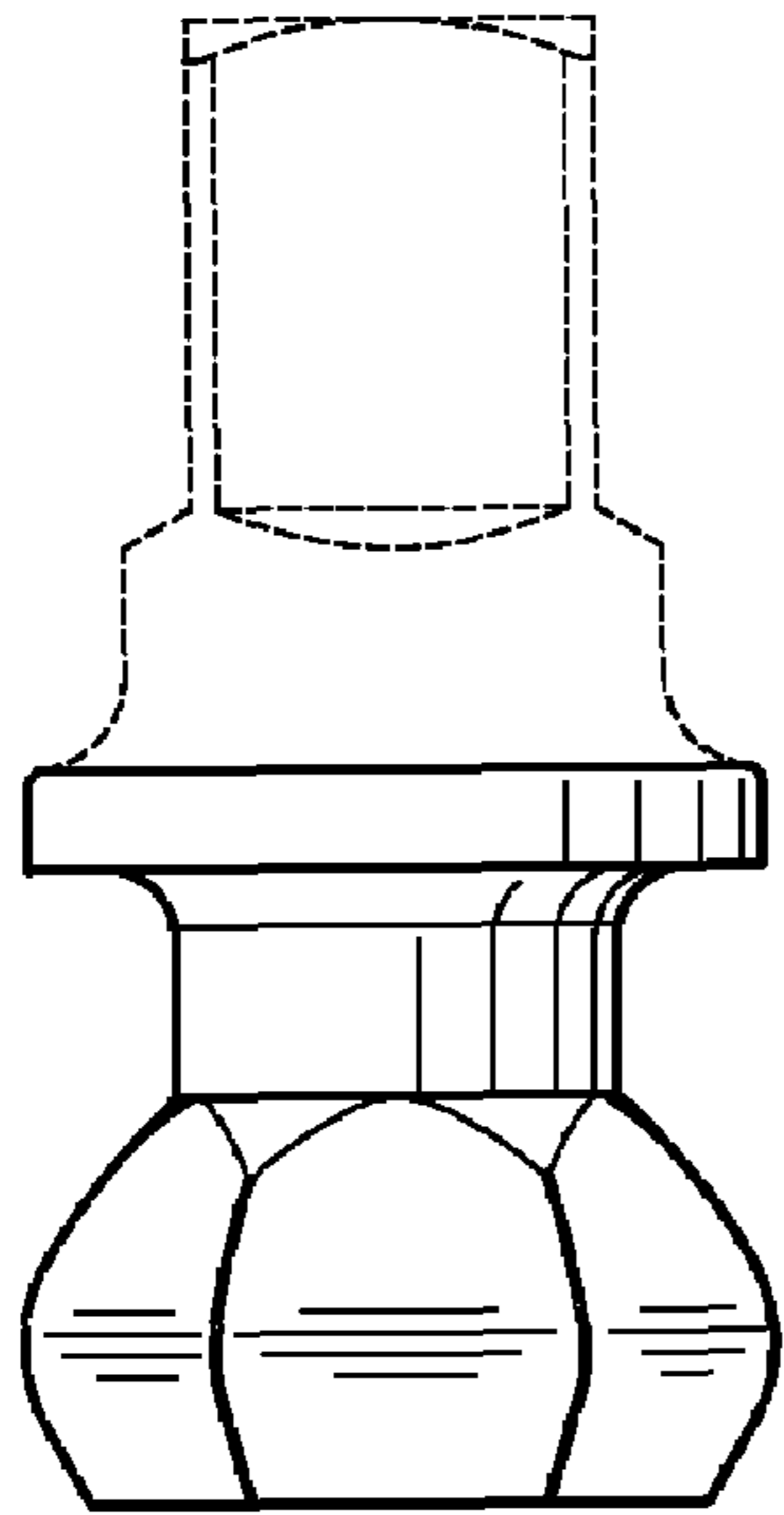


FIG. 4

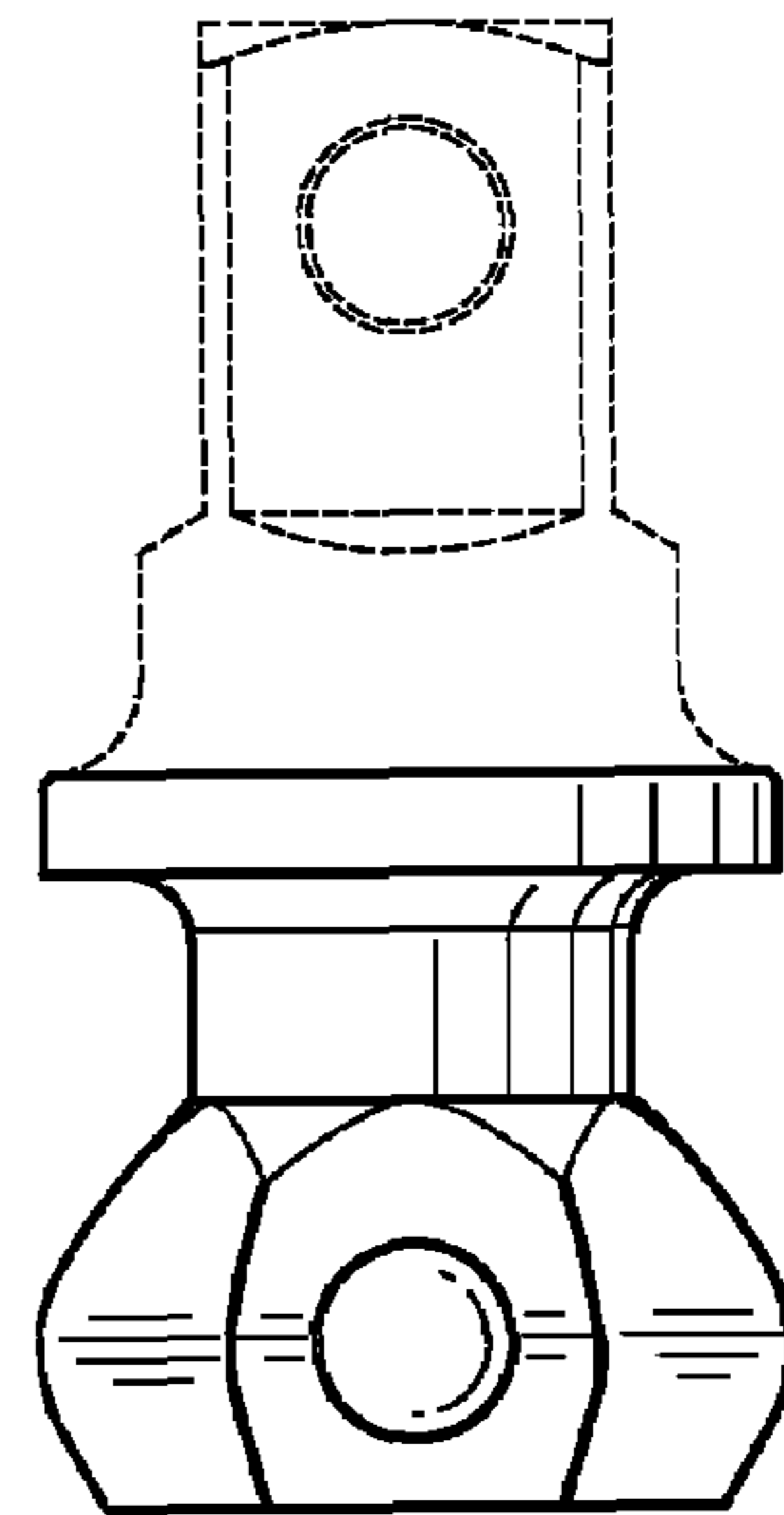


FIG. 5

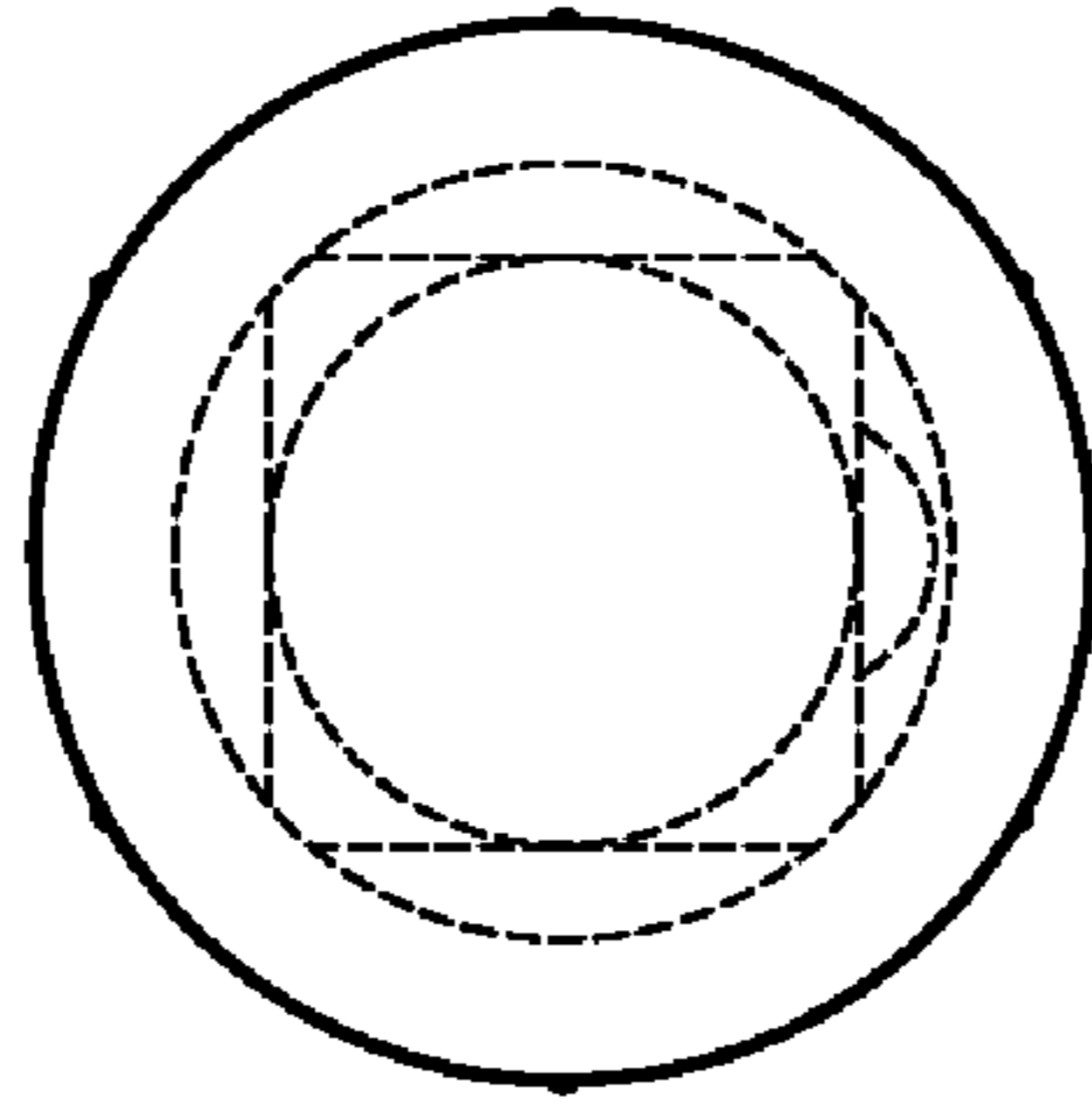


FIG. 6

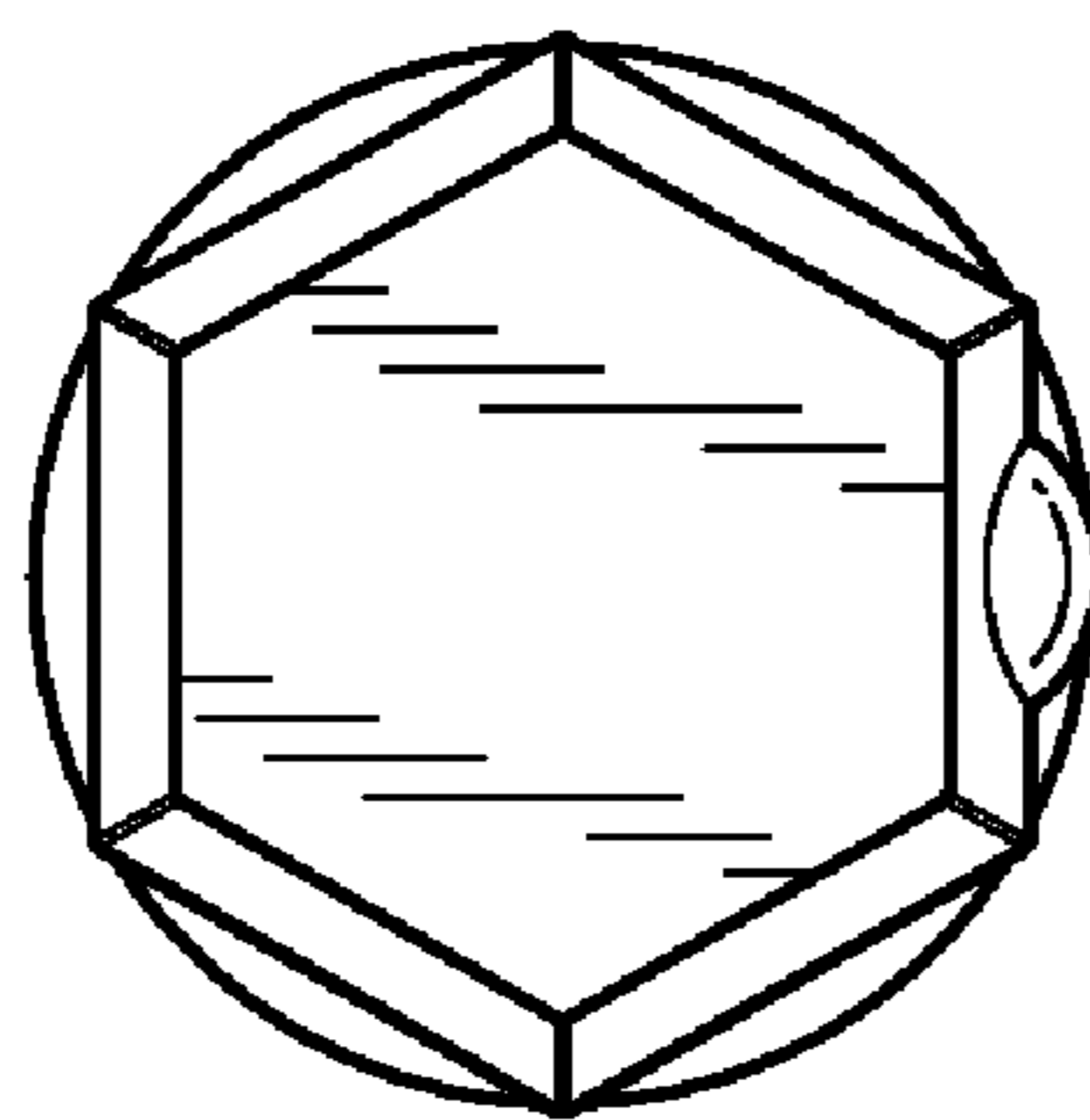


FIG. 7