



US00D602054S

(12) **United States Design Patent**
Yanagida et al.

(10) **Patent No.:** **US D602,054 S**

(45) **Date of Patent:** **** Oct. 13, 2009**

(54) **DRILL WITH UNIQUE SHAPED COOLANT HOLES**

(75) Inventors: **Kazuya Yanagida**, Gifu (JP); **Hiroyuki Higashi**, Gifu (JP); **Nobuyuki Matsuda**, Gifu (JP)

(73) Assignee: **Mitsubishi Materials Corporation**, Tokyo (JP)

(**) Term: **14 Years**

(21) Appl. No.: **29/336,830**

(22) Filed: **May 11, 2009**

(30) **Foreign Application Priority Data**

Nov. 28, 2008 (JP) D2008-030589

(51) **LOC (9) Cl.** **15-09**

(52) **U.S. Cl.** **D15/139**

(58) **Field of Classification Search** D8/70;
D15/138, 139, 140; 83/845; 403/331, 381;
407/9, 33, 34, 42, 54, 63, 110, 113, 114,
407/115; 408/224, 226-230

See application file for complete search history.

(56) **References Cited**

U.S. PATENT DOCUMENTS

- D340,248 S * 10/1993 Brady D15/139
- D487,753 S * 3/2004 Brady D15/21
- 2003/0129031 A1 * 7/2003 Mast et al. 408/144
- 2003/0175085 A1 * 9/2003 Prokop 408/59
- 2003/0175086 A1 * 9/2003 Muhlfriedel et al. 408/230
- 2009/0035083 A1 * 2/2009 Hunter 408/214

* cited by examiner

Primary Examiner—Sandra Snapp
Assistant Examiner—Patricia Palasik
(74) *Attorney, Agent, or Firm*—Darby & Darby P.C.

(57) **CLAIM**

The ornamental design for a drill with unique shaped coolant holes, as shown and described.

DESCRIPTION

FIG. 1 is a first perspective view of a drill with unique shaped coolant holes;

FIG. 2 is a second perspective view thereof turned 90° from the first view of FIG. 1;

FIG. 3 is a front view thereof;

FIG. 4 is a right side view thereof;

FIG. 5 is a top view thereof;

FIG. 6 is a bottom view thereof;

FIG. 7 is a detail of the claimed design of the first perspective view thereof;

FIG. 8 is a detail of the claimed design of the second perspective view thereof;

FIG. 9 is a detail of the claimed design of a front view thereof;

FIG. 10 is a detail of the claimed design of a right side view thereof; and,

FIG. 11 is an enlarged top view thereof.

The broken lines depict the environment and form no part of the claimed design.

1 Claim, 6 Drawing Sheets

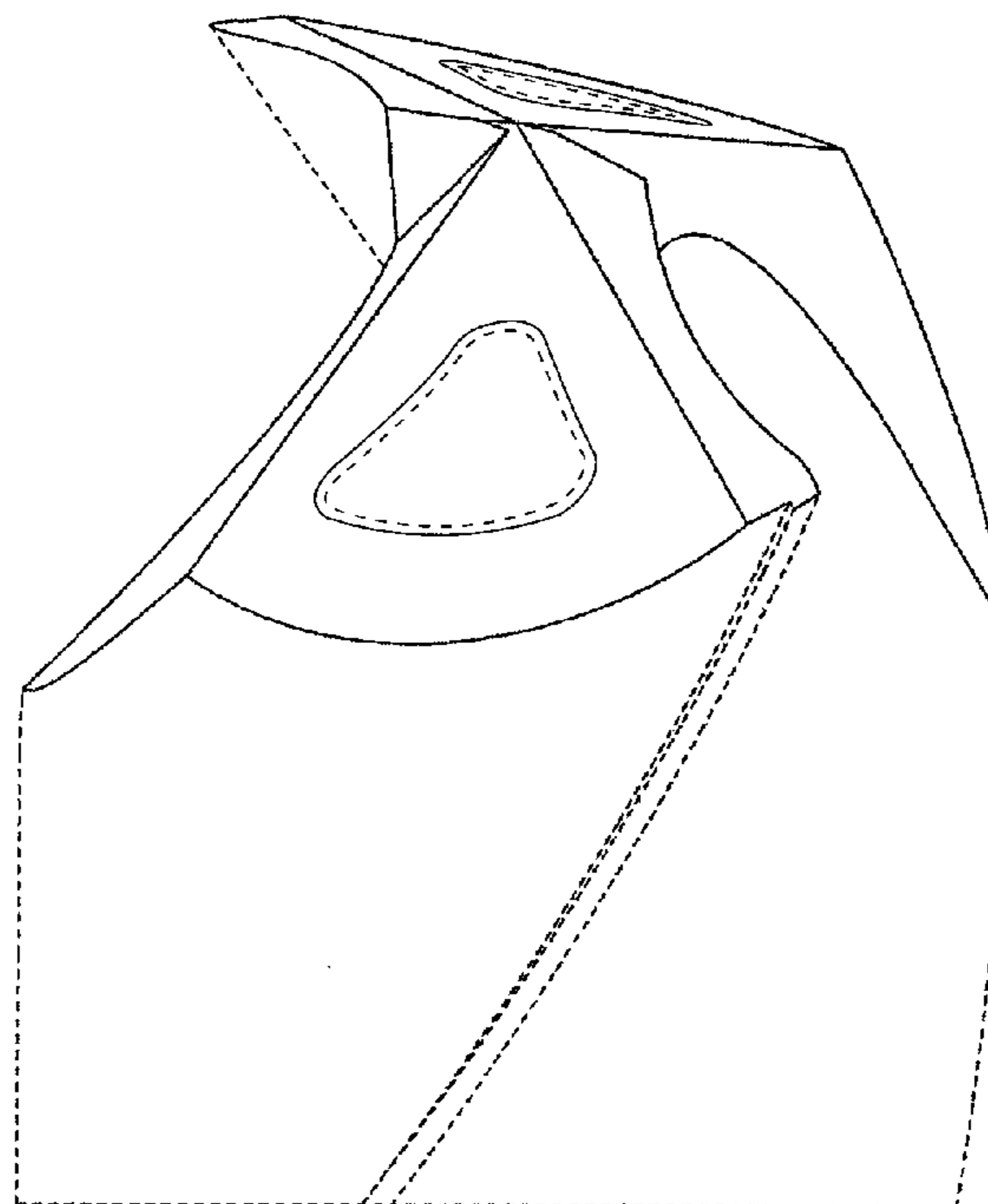
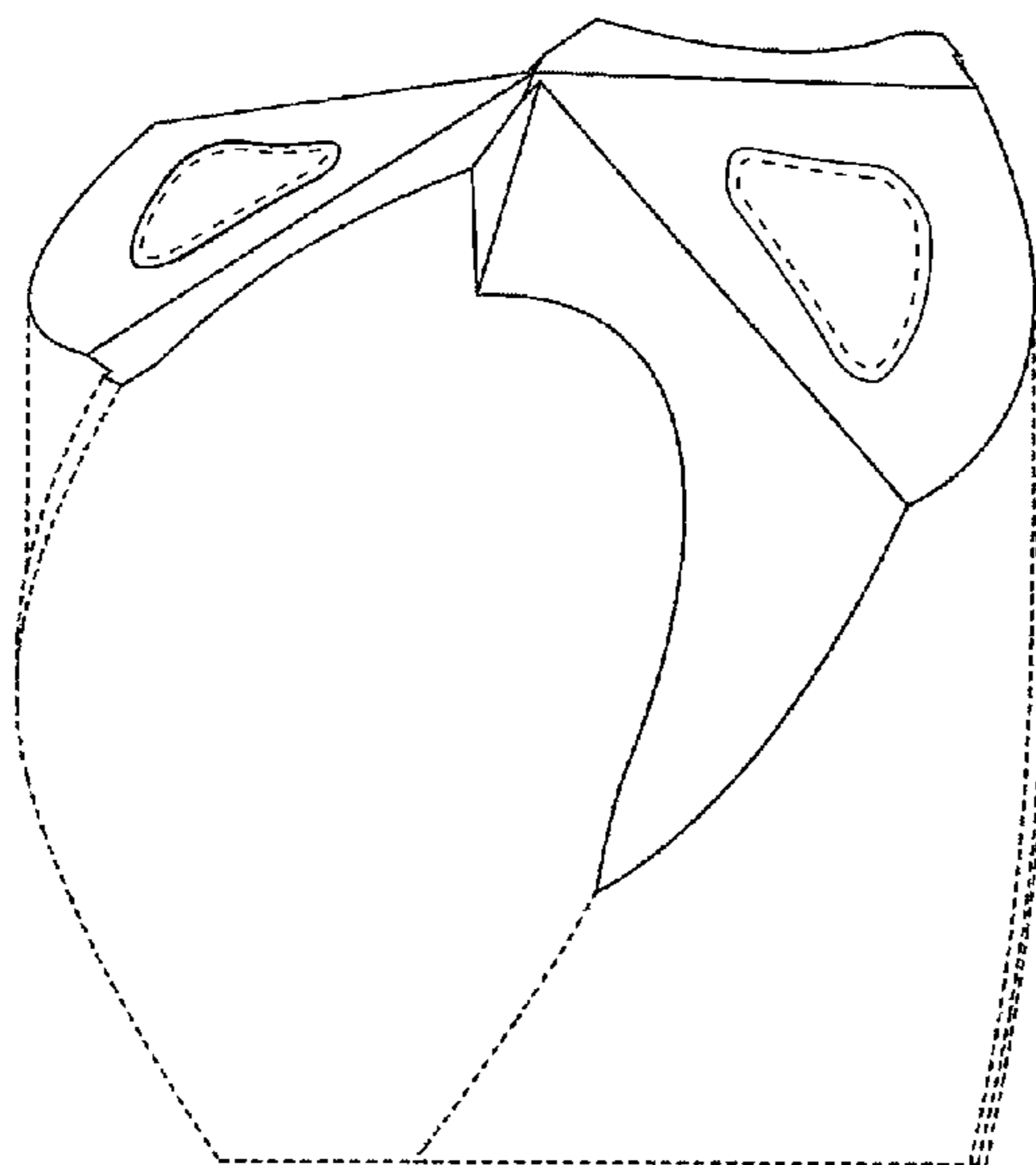


Fig. 1

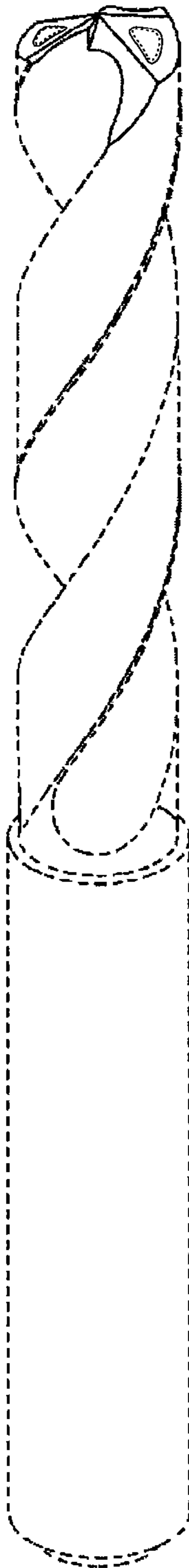


Fig. 2



Fig. 3



Fig. 5

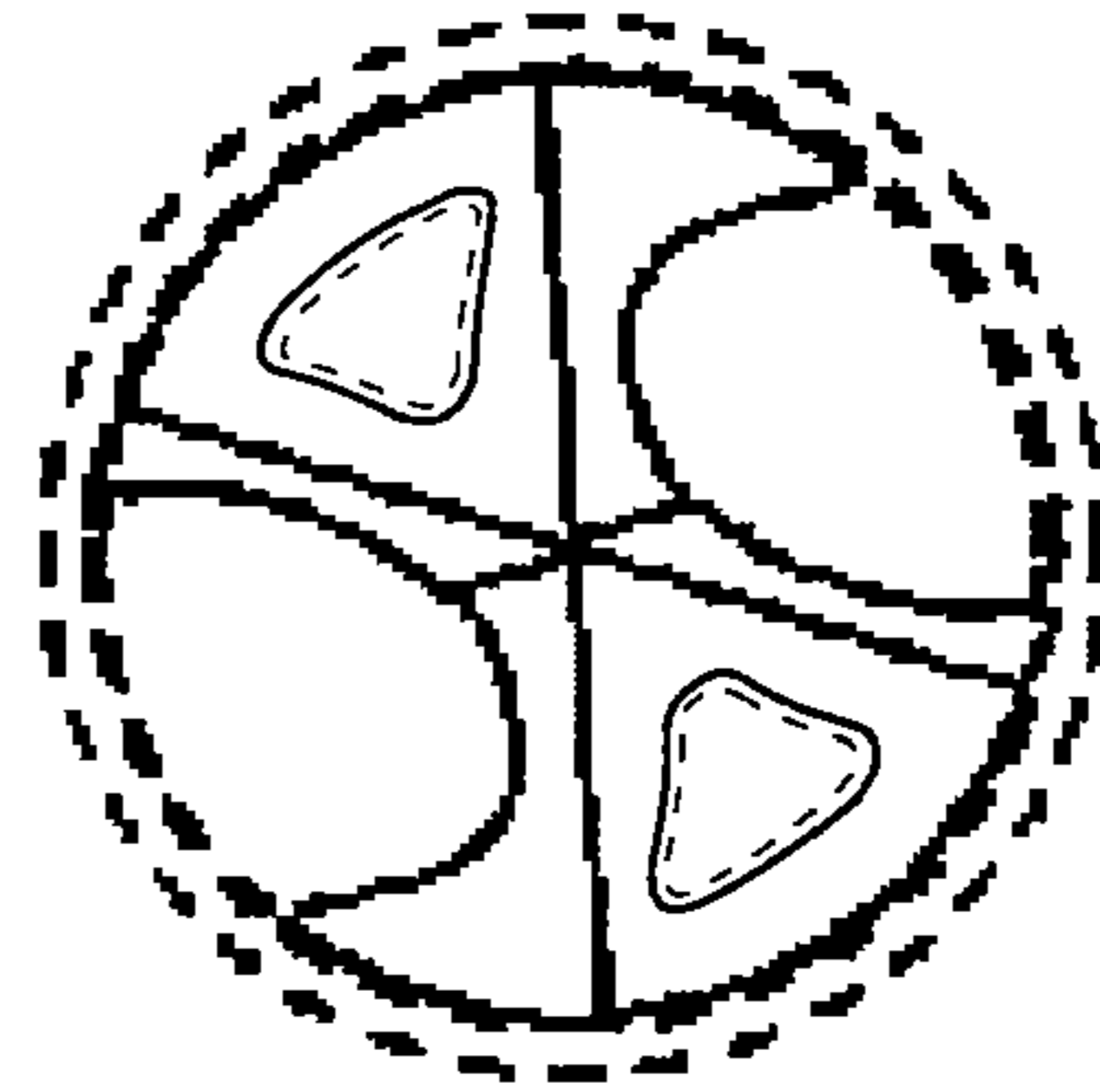


Fig. 6

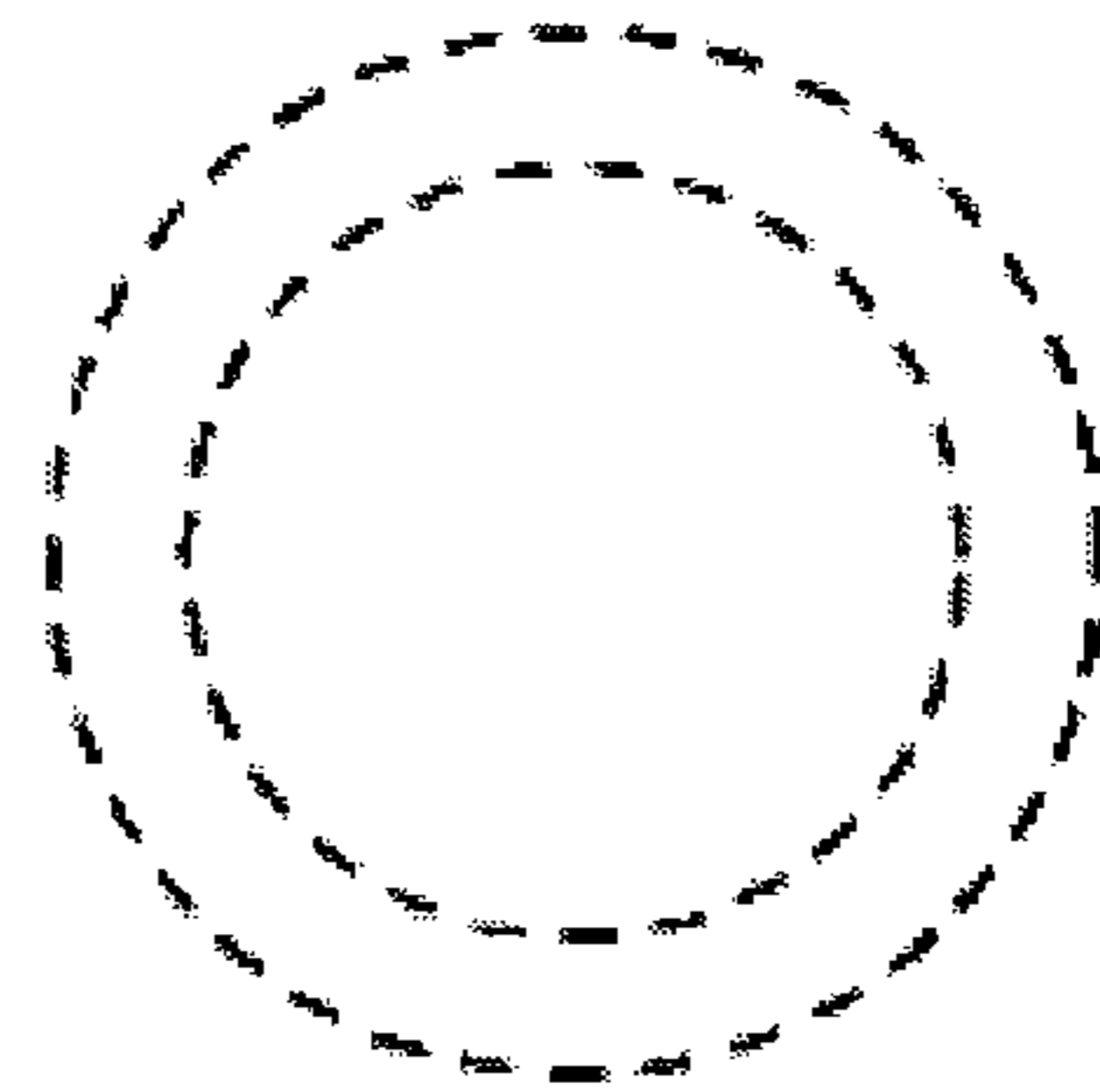


Fig. 4

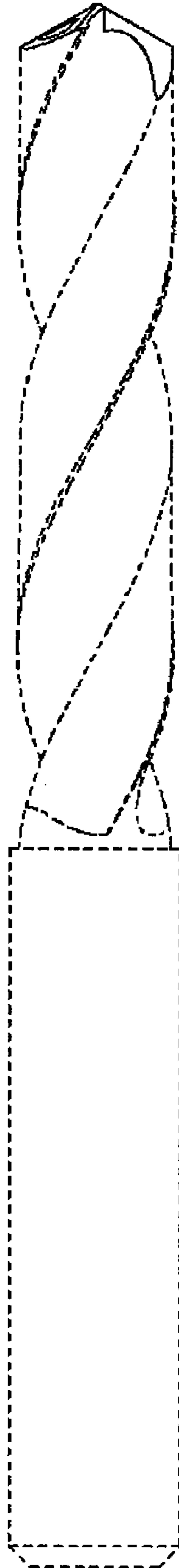


Fig. 7

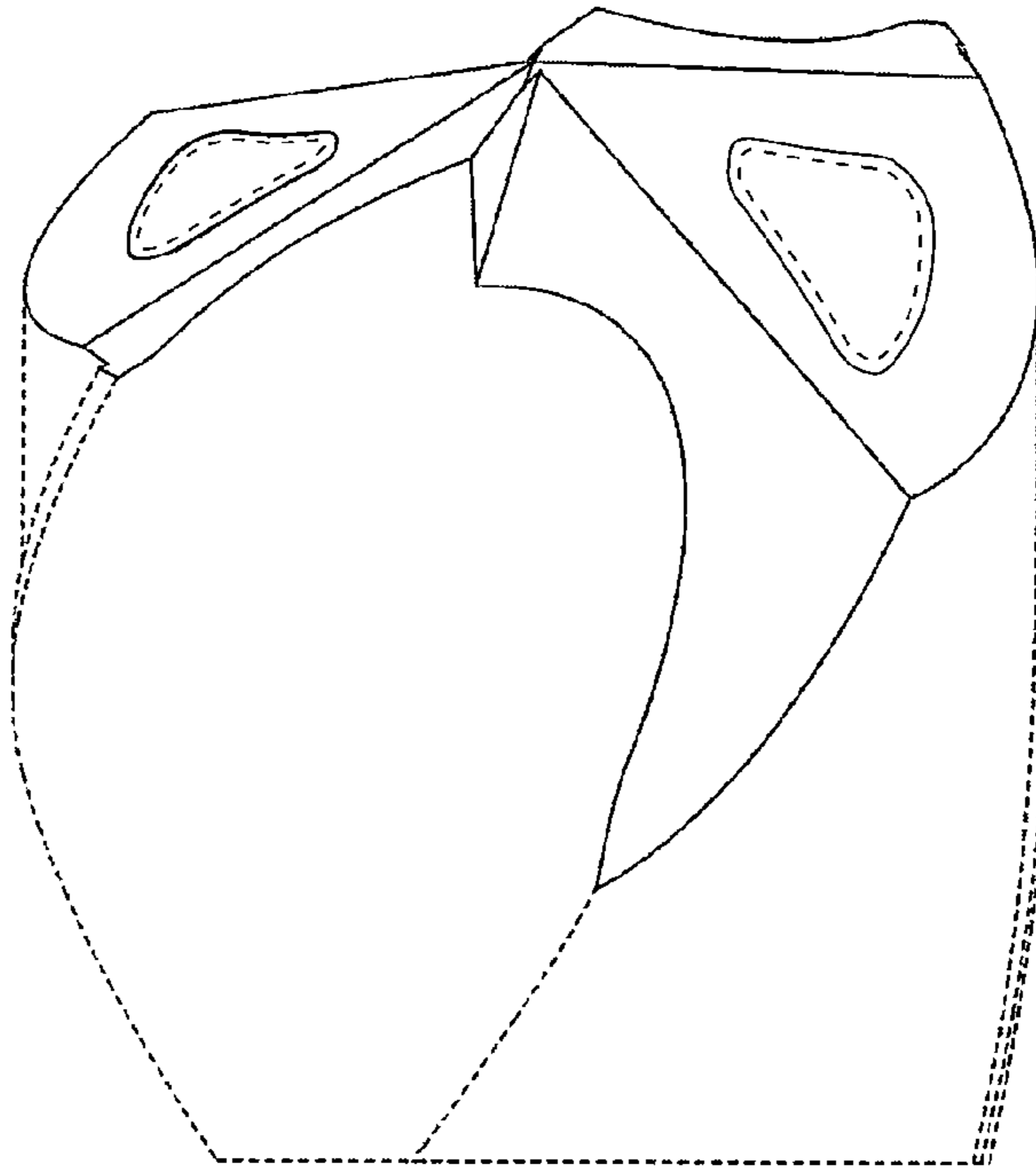


Fig. 8

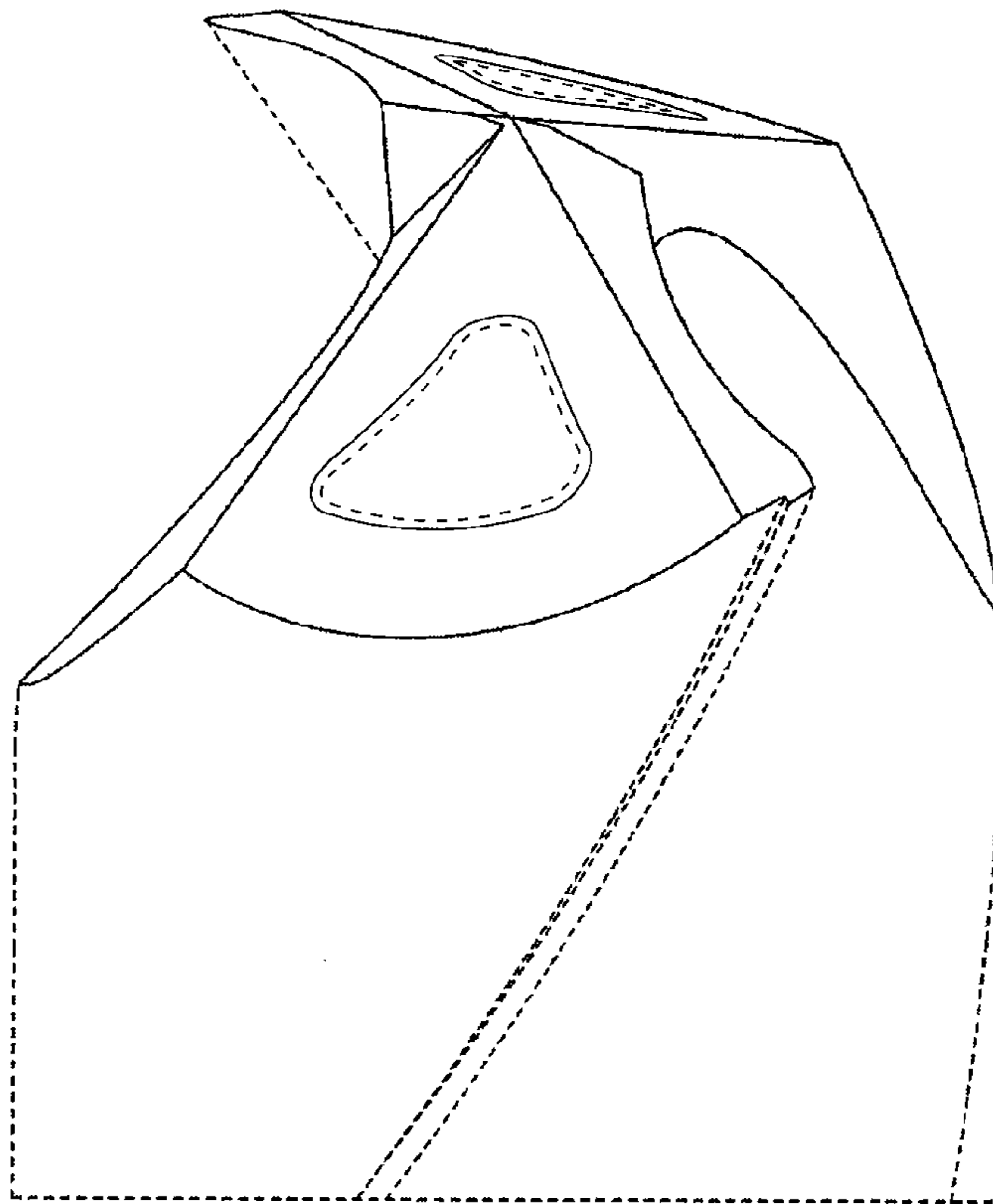


Fig. 9

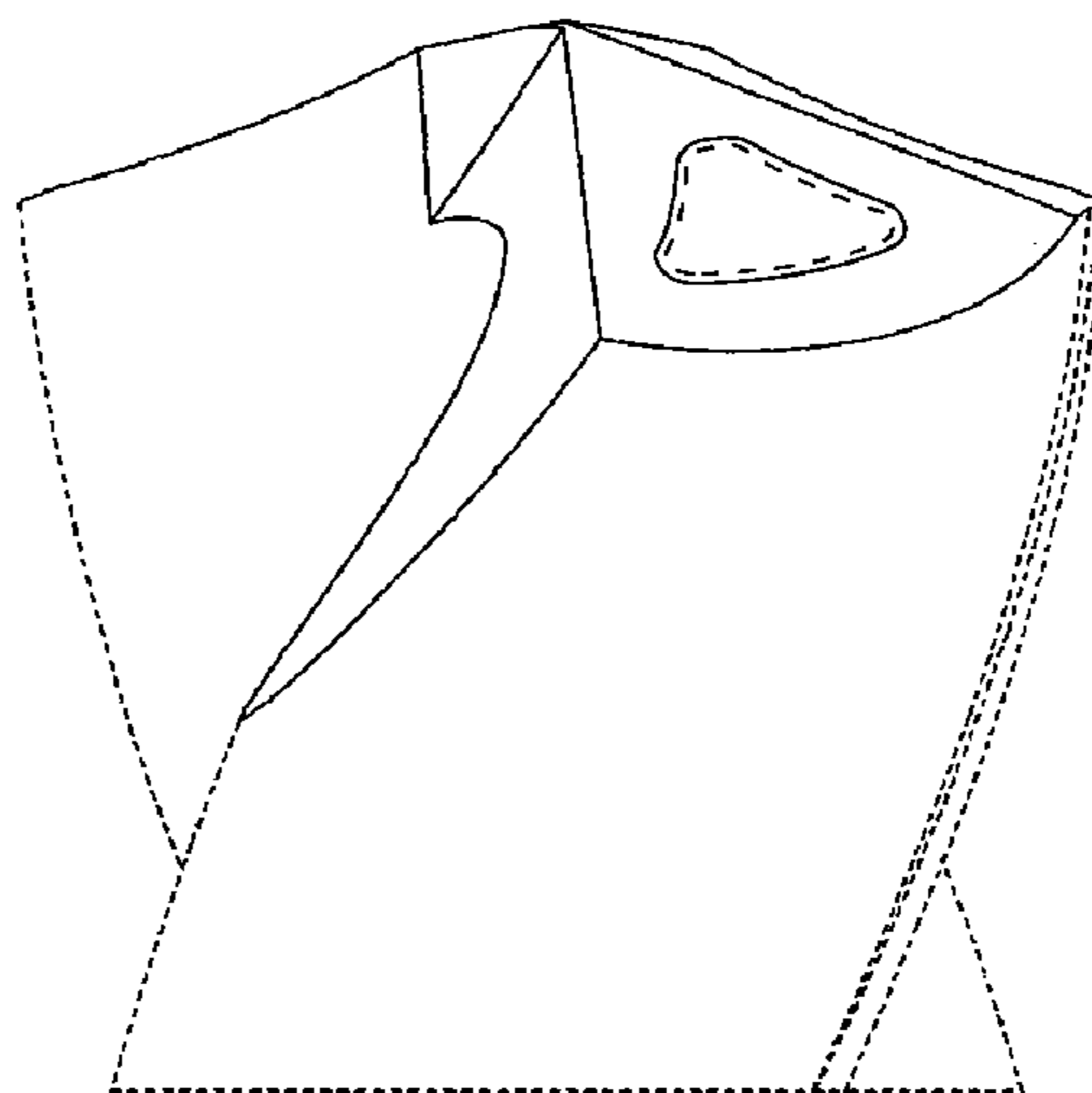


Fig. 10

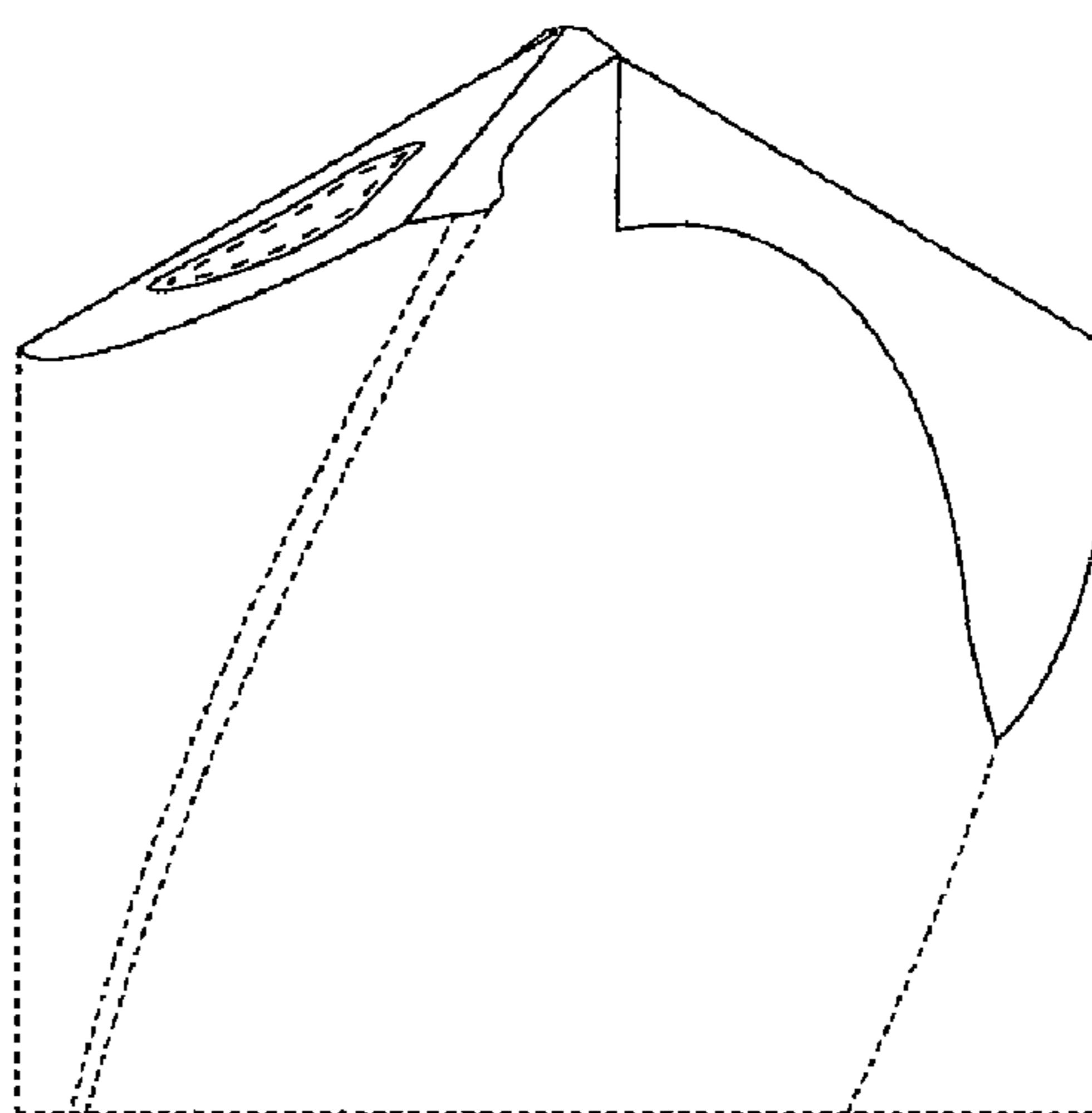


Fig. 11

