

US00D602053S

(12) **United States Design Patent**  
**Heflin et al.**

(10) **Patent No.:** **US D602,053 S**  
(45) **Date of Patent:** **\*\* Oct. 13, 2009**

(54) **SAW ASSEMBLY BASE**

2006/0185485 A1\* 8/2006 Wang ..... 83/436.2  
\* cited by examiner

(75) Inventors: **Christopher Heflin**, Oak Park, IL (US);  
**Gregg M. Mangialardi**, Park Ridge, IL (US);  
**Cui Ke**, Arlington Heights, IL (US);  
**Matthew M. Rybka**, Hoffman Estates, IL (US);  
**P. Sean Gallagher**, Arlington Heights, IL (US);  
**Bryan M. Shova**, Columbus, OH (US);  
**Donald J. Staufenberg**, Dublin, OH (US)

*Primary Examiner*—Sandra Snapp  
*Assistant Examiner*—Patricia Palasik  
(74) *Attorney, Agent, or Firm*—Maginot, Moore & Beck

(73) Assignee: **Robert Bosch GmbH**, Stuttgart (DE)

(57) **CLAIM**

The ornamental design for a saw assembly base, as shown and described.

(\*\*) Term: **14 Years**

**DESCRIPTION**

(21) Appl. No.: **29/323,592**

FIG. 1 is a perspective view a saw assembly base showing our new design;

(22) Filed: **Aug. 27, 2008**

FIG. 2 is a top elevational view showing the design for the saw assembly base of FIG. 1;

(51) **LOC (9) Cl.** ..... **15-09**

(52) **U.S. Cl.** ..... **D15/133**

(58) **Field of Classification Search** ..... D8/64,  
D8/66, 67, 69, 70; D15/127, 133, 134; 30/377,  
30/378, 388–391, 517–525; 83/471.2, 471.3,  
83/472, 477.1, 477.2, 581

FIG. 3 is a bottom elevational view showing the design for the saw assembly base of FIG. 1;

FIG. 4 is a front elevational view showing the design for the saw assembly base of FIG. 1;

FIG. 5 is a rear elevational view showing the design for the saw assembly base of FIG. 1;

See application file for complete search history.

FIG. 6 is a left side elevational view showing the design for the saw assembly base of FIG. 1; and,

(56) **References Cited**

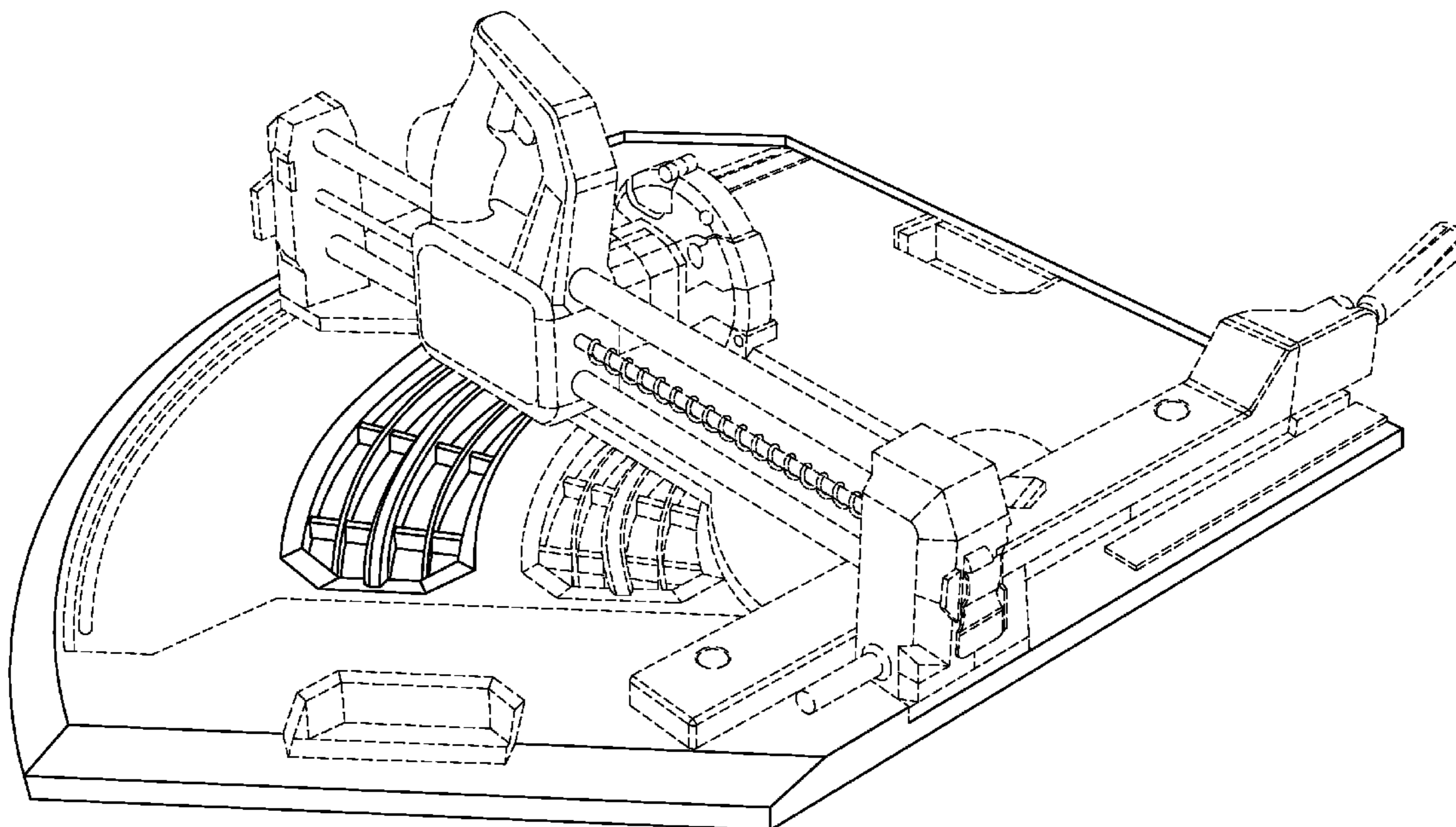
**U.S. PATENT DOCUMENTS**

4,320,678 A	3/1982	Volk	
4,920,845 A	5/1990	Blanchette	
D407,725 S *	4/1999	Ceroll et al. ....	D15/133
6,119,676 A	9/2000	Greenland	
D490,092 S *	5/2004	Wu .....	D15/133
D536,945 S *	2/2007	Yang .....	D8/98
2004/0163524 A1 *	8/2004	Erisoty .....	83/581

FIG. 7 is a right side elevational view showing the design for the saw assembly base of FIG. 1.

In FIGS. 1–7, the broken lines showing of various items including (i) the saw assembly (FIGS. 1–7), (ii) the handle openings (FIGS. 1–3), (iii) the guide slot (FIGS. 1–3), (iv) the fence assembly (FIGS. 1–2 and 4–7), and (v) the feet (FIGS. 3–7) is for illustrative purposes only and forms no part of the claimed design.

**1 Claim, 7 Drawing Sheets**



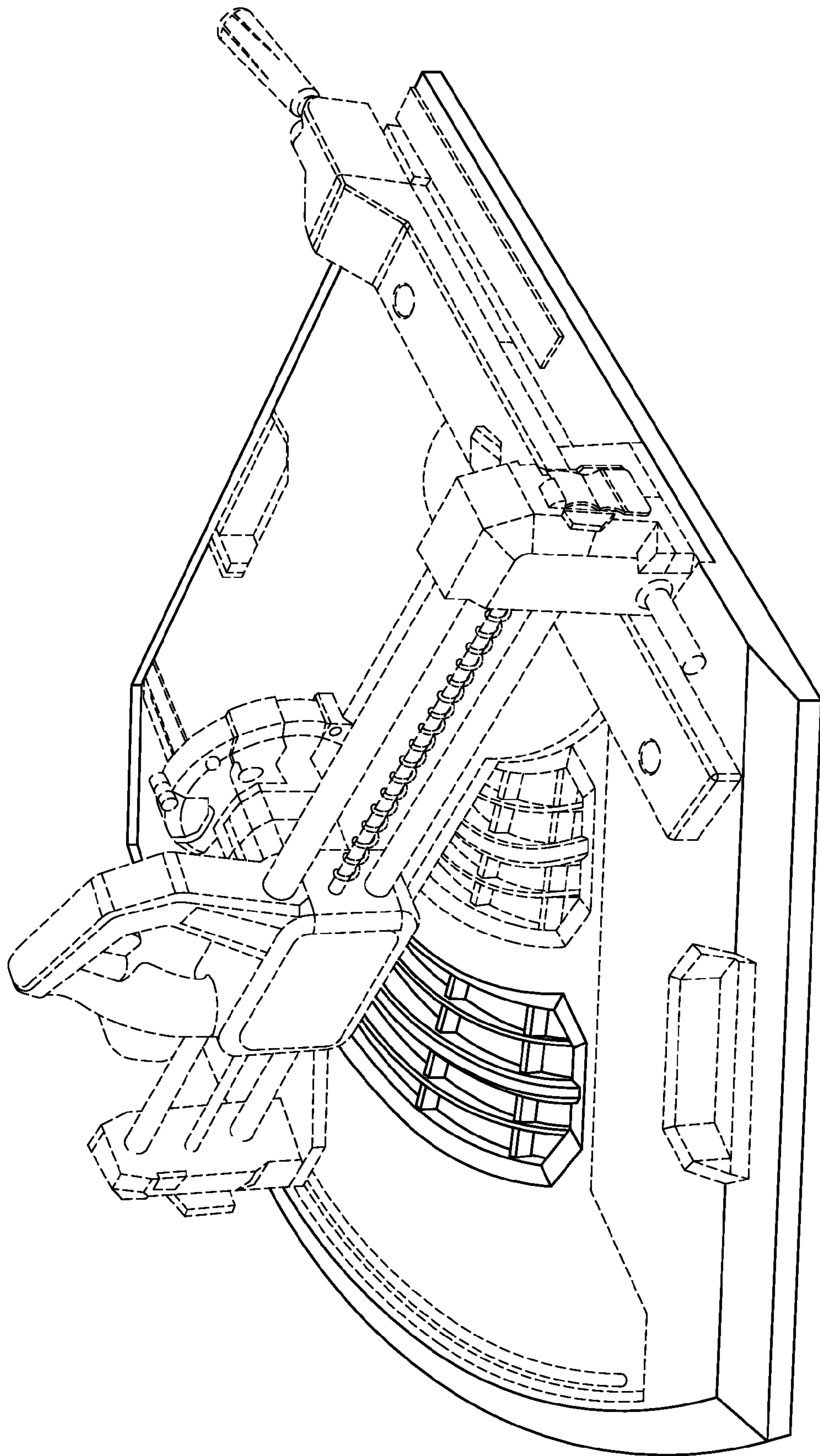


Fig. 1

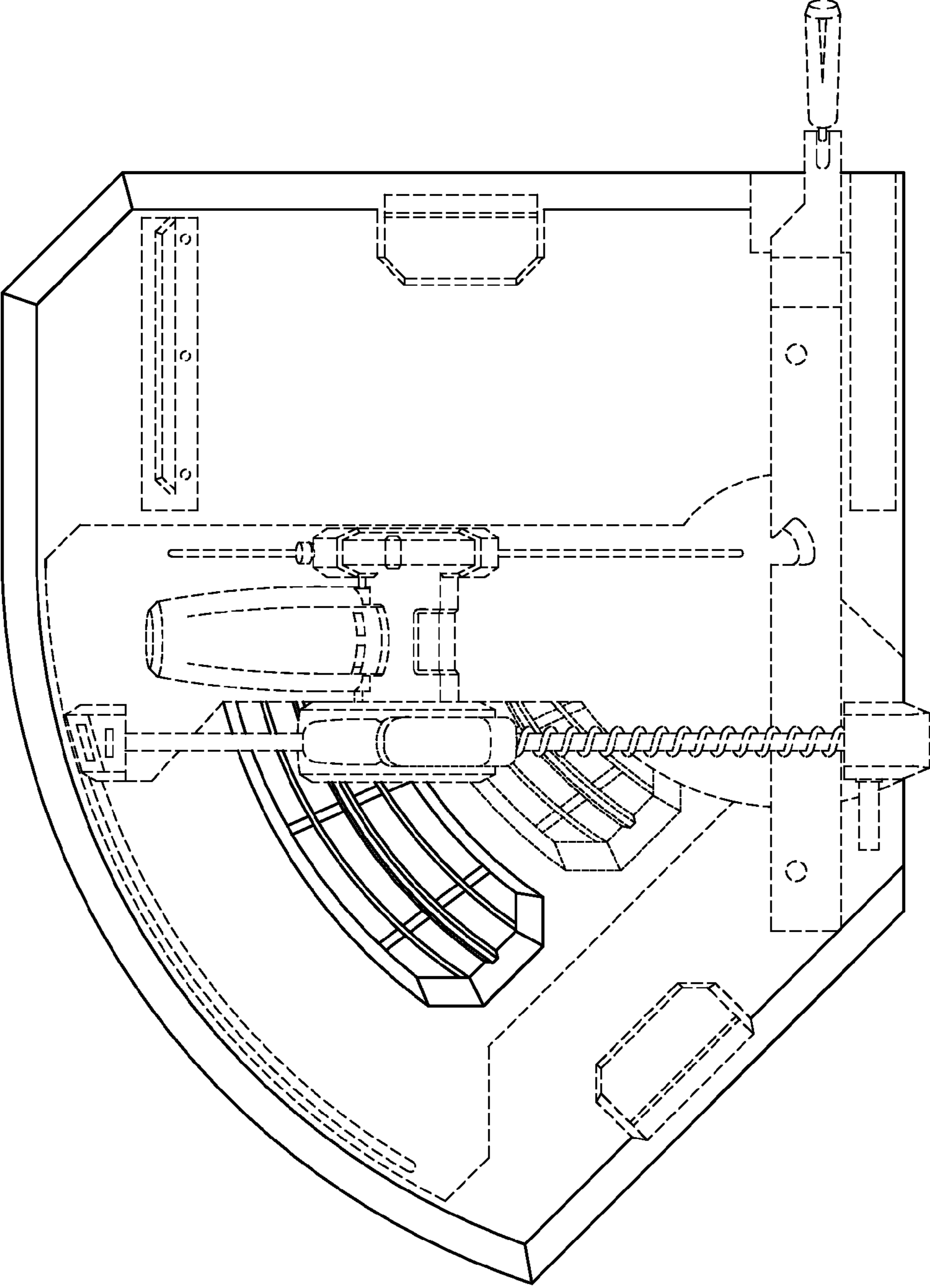


Fig. 2

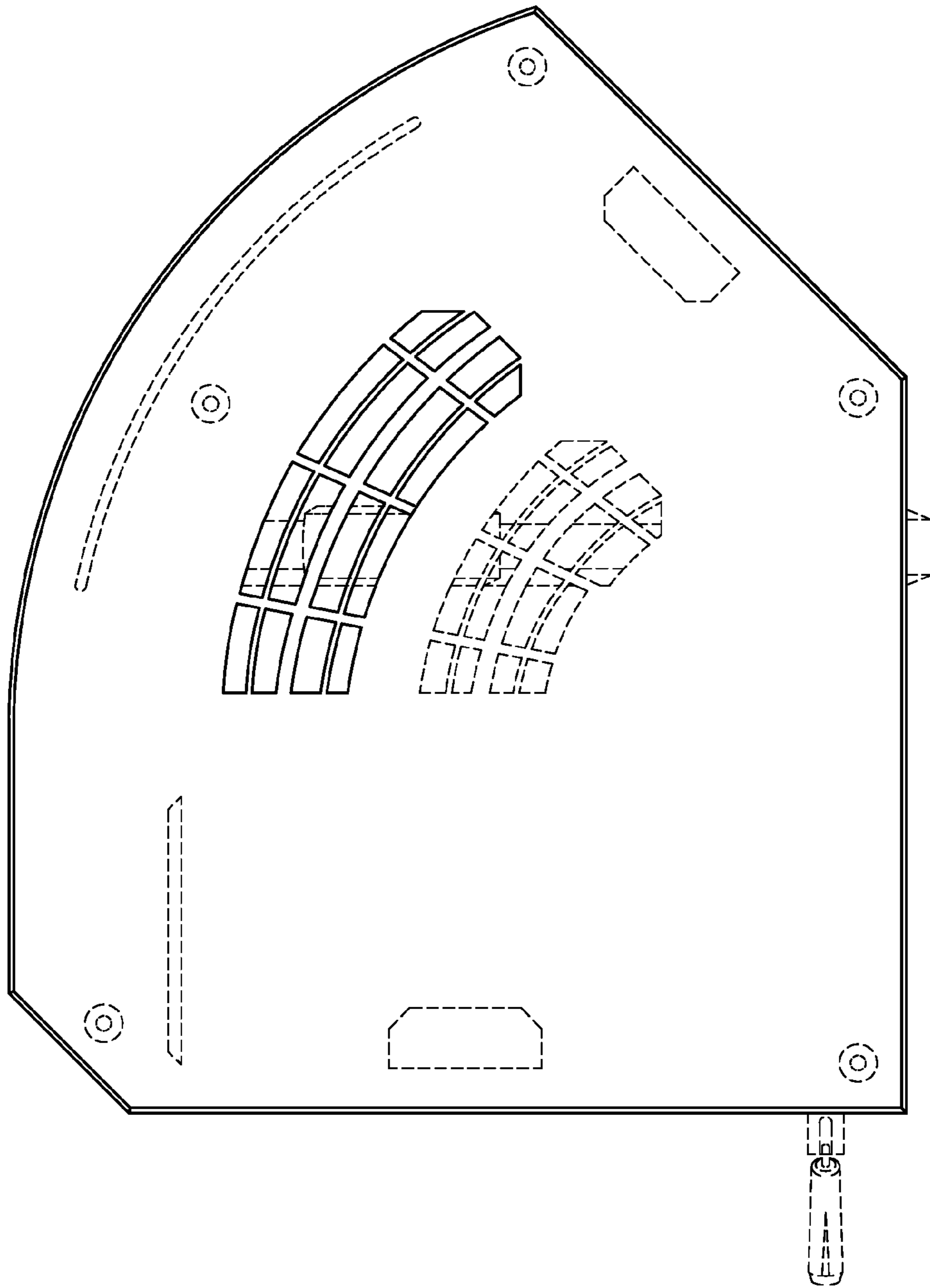


Fig. 3

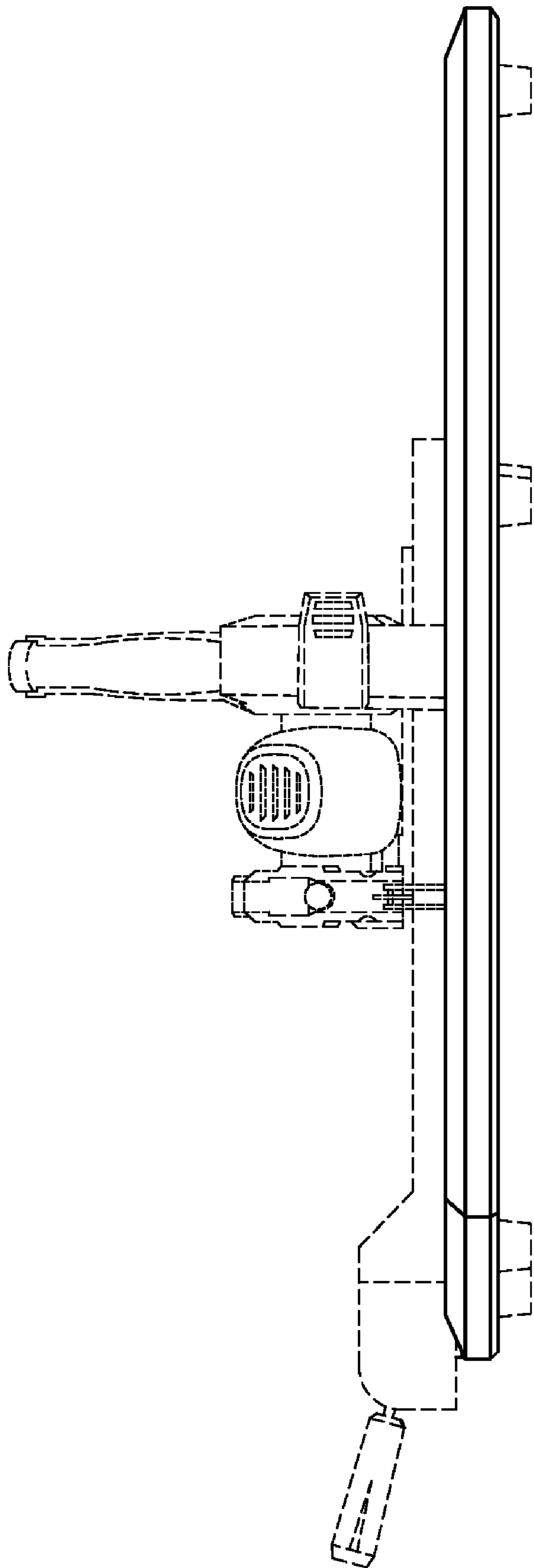


Fig. 4

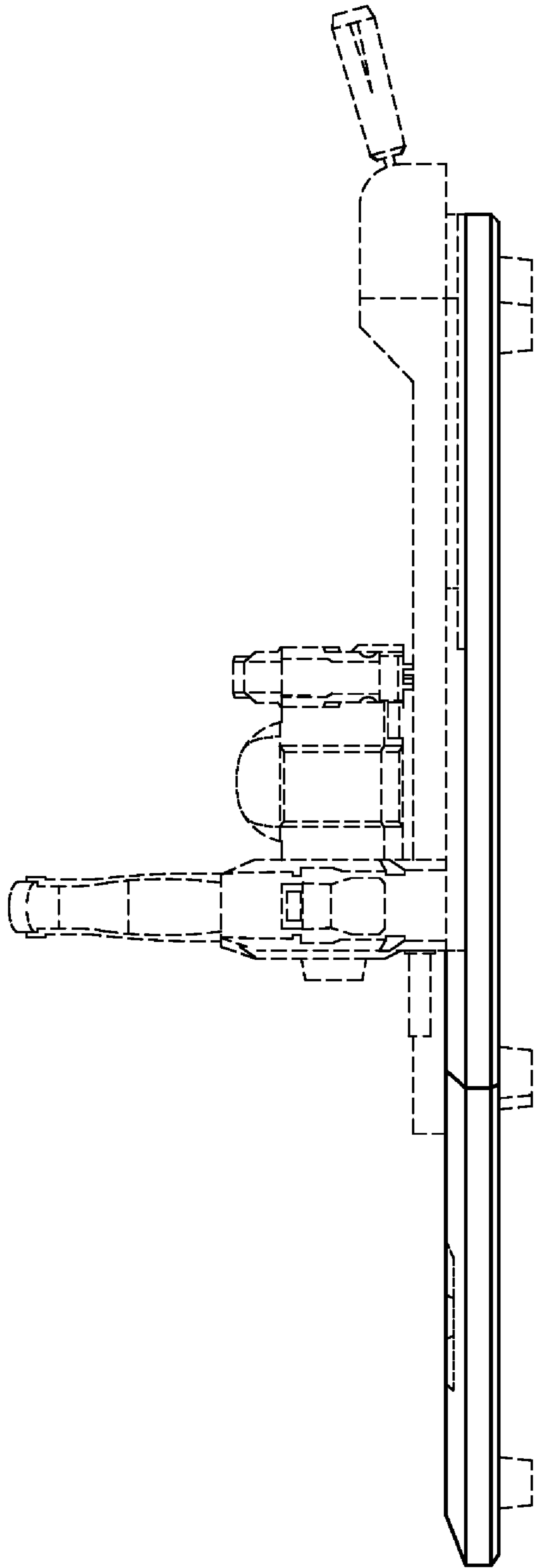


Fig. 5

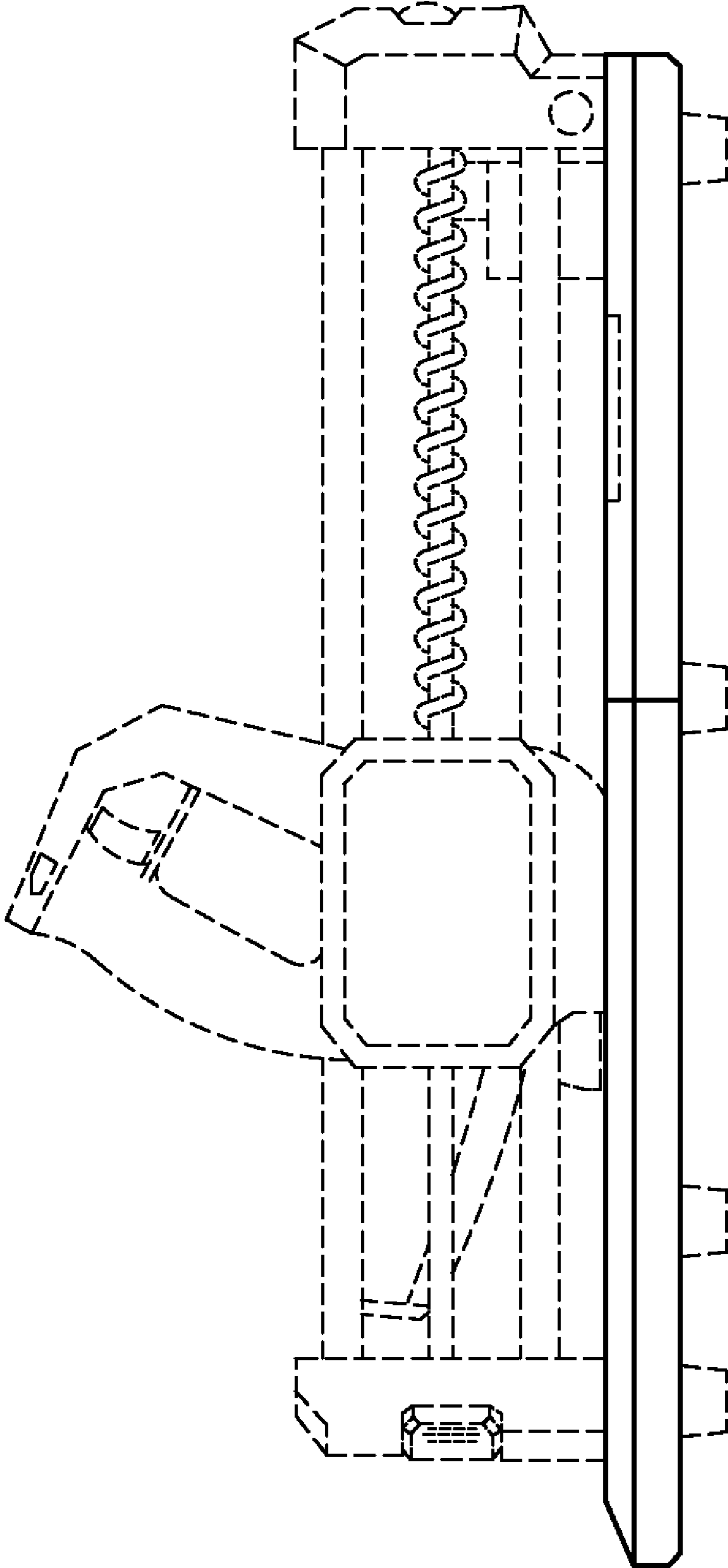


Fig. 6

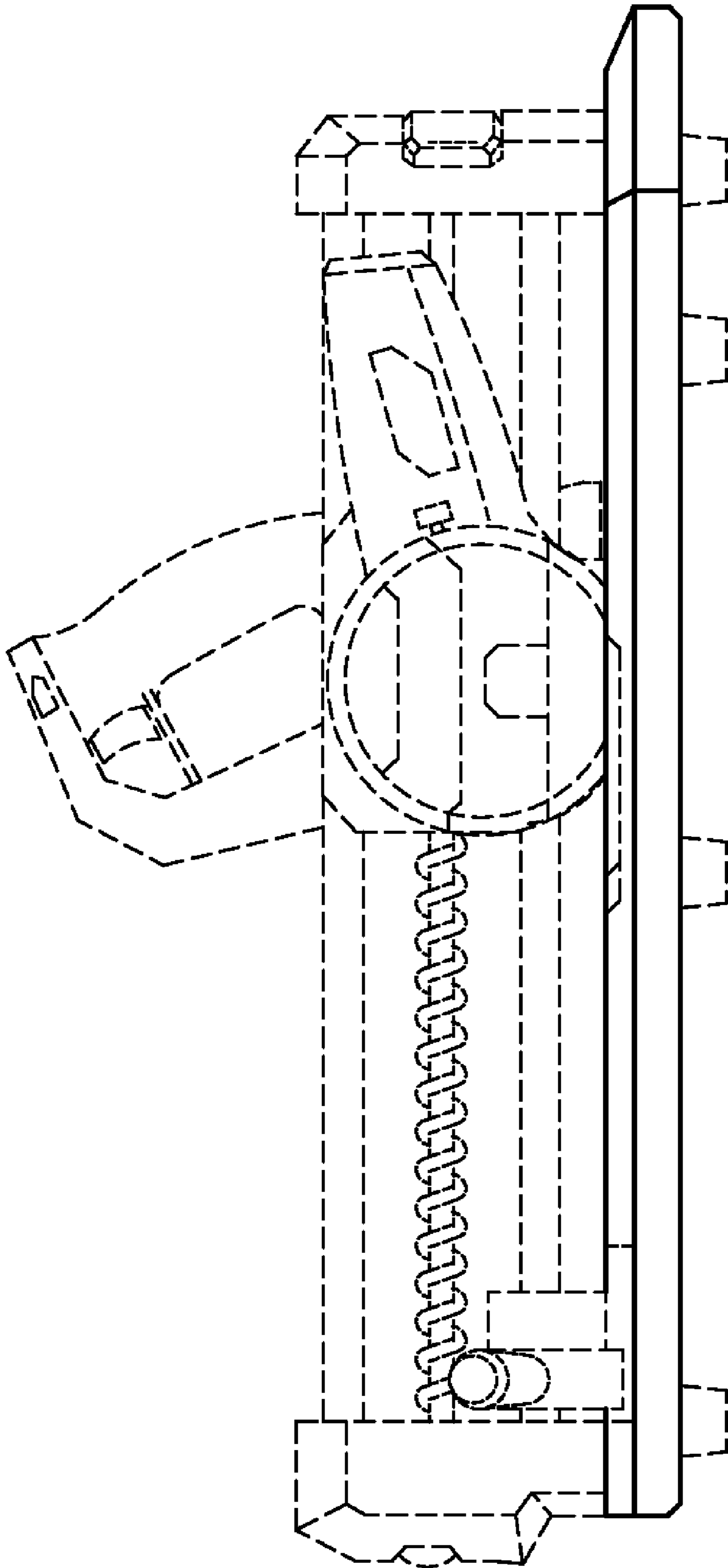


Fig. 7