



US00D602048S

(12) **United States Design Patent**
Marsolek et al.

(10) **Patent No.:** **US D602,048 S**

(45) **Date of Patent:** **** Oct. 13, 2009**

(54) **EXTENSION PLATE**

(75) Inventors: **John L. Marsolek**, Watertown, MN (US); **Ryan J. Nelson**, Maple Grove, MN (US)

(73) Assignee: **Caterpillar Paving Products Inc.**, Minneapolis, MN (US)

(**) Term: **14 Years**

(21) Appl. No.: **29/325,692**

(22) Filed: **Oct. 3, 2008**

(51) **LOC (9) Cl.** **15-03**

(52) **U.S. Cl.** **D15/28; D15/20**

(58) **Field of Classification Search** D15/20-26, D15/28, 32, 33, 10; D12/14; 404/117, 122, 404/125, 128; 405/271; 180/89.2, 20; 172/115; 296/187.01, 193.09, 203.01, 193.01
See application file for complete search history.

(56) **References Cited**

U.S. PATENT DOCUMENTS

774,042 A	11/1904	Cooper	
1,417,320 A	5/1922	Hatcher et al.	
D207,532 S *	5/1967	Garis et al.	D15/20
3,814,531 A	6/1974	Carnahan et al.	

(Continued)

OTHER PUBLICATIONS

Dynapac Tandem Asphalt rollers product brochure.

Primary Examiner—Ian Simmons

Assistant Examiner—Mark A Goodwin

(74) *Attorney, Agent, or Firm*—Leydig, Voit & Mayer Ltd

(57) **CLAIM**

The ornamental design for an extension plate, as shown and described.

DESCRIPTION

FIG. 1 is a side perspective view of my extension plate in accordance with an embodiment;

FIG. 2 is a front elevational view of FIG. 1;

FIG. 3 is a rear elevational view of FIG. 1;

FIG. 4 is a right side elevational view of FIG. 1;

FIG. 5 is a left side elevational view of FIG. 1;

FIG. 6 is a top plan view of FIG. 1;

FIG. 7 is a bottom view of FIG. 1;

FIG. 8 is a side perspective view of my extension plate in accordance with a second embodiment;

FIG. 9 is a front elevational view of FIG. 8;

FIG. 10 is a rear elevational view of FIG. 8;

FIG. 11 is a right side elevational view of FIG. 8;

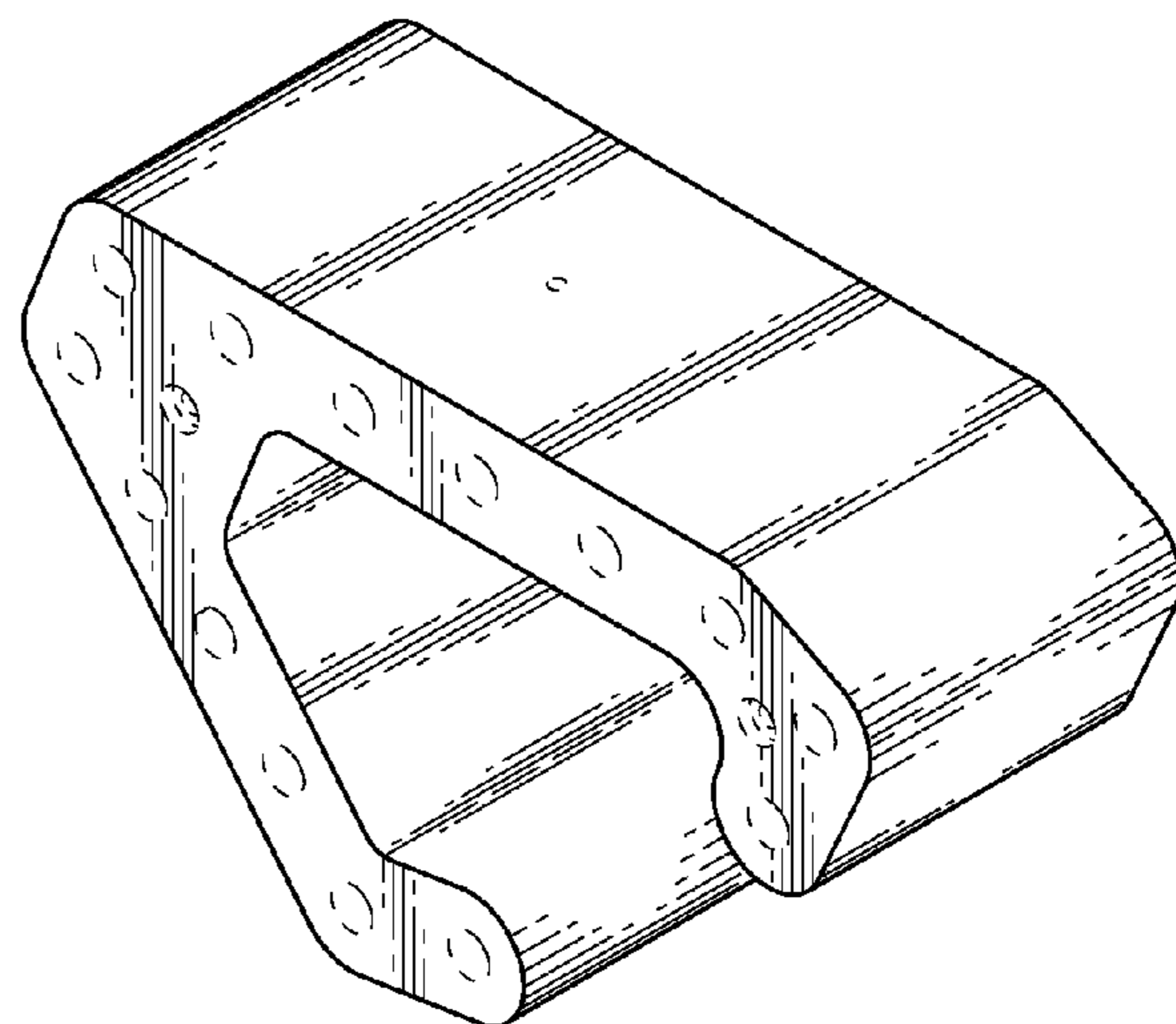
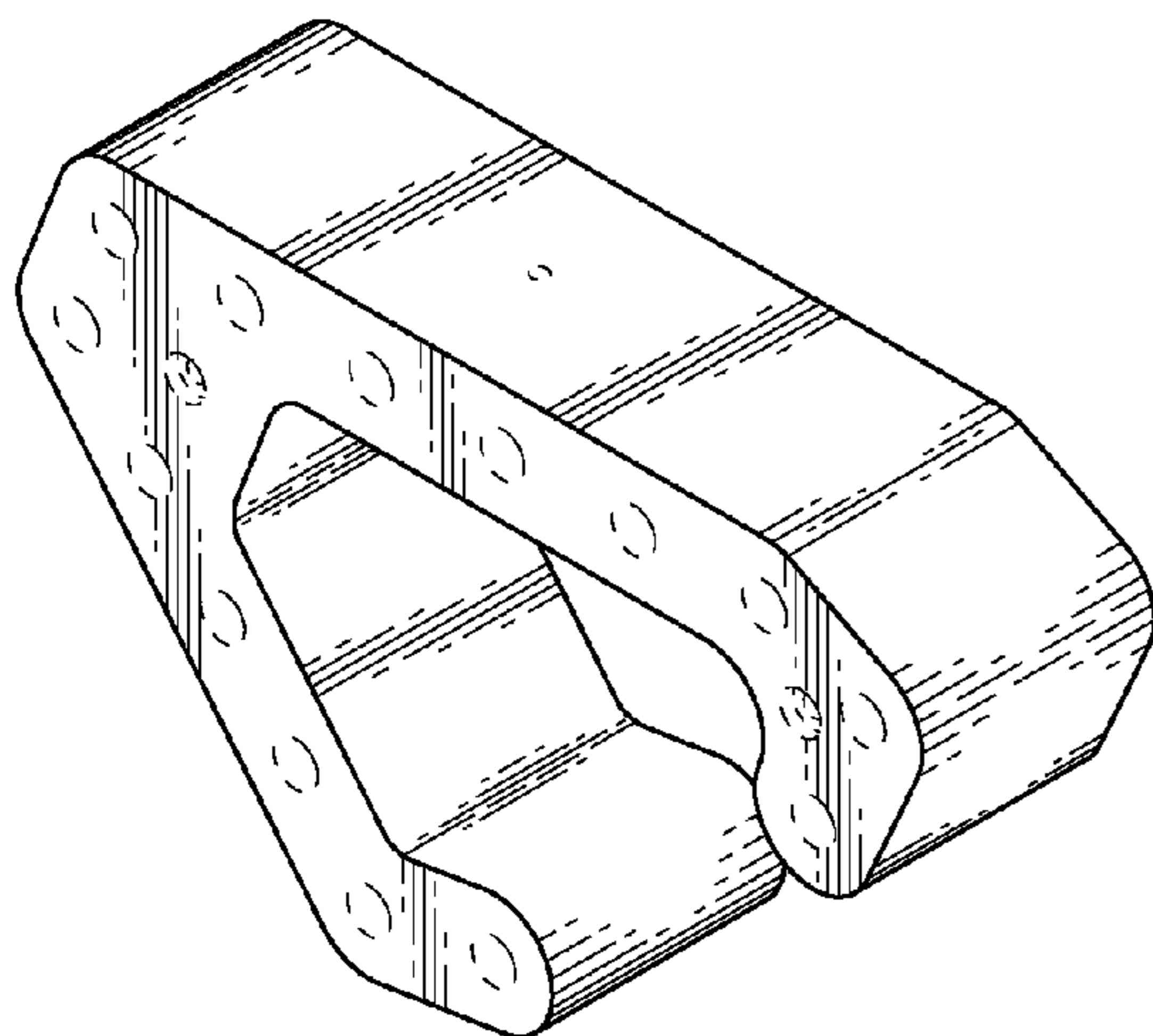
FIG. 12 is a left side elevational view of FIG. 8;

FIG. 13 is a top plan view of FIG. 8; and,

FIG. 14 is a bottom plan view of FIG. 8.

The broken lines are shown for illustrative purposes only and form no part of the claimed design.

1 Claim, 3 Drawing Sheets



US D602,048 S

Page 2

U.S. PATENT DOCUMENTS

4,172,501	A	10/1979	Murray				
4,227,827	A *	10/1980	Arenz	404/121			
4,270,785	A	6/1981	Farnam				
D275,678	S *	9/1984	Mawhorr et al.	D15/20			
4,660,845	A	4/1987	Herr				
RE33,312	E *	8/1990	Elliot	404/124			
5,072,800	A	12/1991	Price				
5,114,269	A *	5/1992	Shepherd	404/122			
5,333,894	A	8/1994	Mayes				
5,562,175	A	10/1996	Bjorsne et al.				
5,664,909	A	9/1997	Lindgren et al.				
D396,431	S	7/1998	Lindgren et al.				
D396,727	S	8/1998	Geier et al.				
5,934,824	A	8/1999	Vural				
6,176,666	B1	1/2001	Osterlund				
6,345,932	B1	2/2002	Fix				
D466,135	S *	11/2002	Spomer et al.	D15/33			
6,829,986	B2	12/2004	Richter				
6,902,022	B2	6/2005	Mathukia				
D516,094	S	2/2006	Dotsch et al.				
7,004,275	B1 *	2/2006	Junga et al.	180/89.13			
7,186,056	B2	3/2007	Magee				
7,192,049	B2	3/2007	Kuerten et al.				
D589,067	S *	3/2009	Yamamoto	D15/28			
2001/0048221	A1 *	12/2001	Mitsui	280/801.1			
2002/0197110	A1 *	12/2002	Saito et al.	404/117			
2003/0021629	A1 *	1/2003	Swanson et al.	404/117			
2004/0239092	A1	12/2004	Haringer				
2006/0034659	A1 *	2/2006	Magee	404/117			
2006/0034661	A1 *	2/2006	Junga et al.	404/128			
2006/0147265	A1 *	7/2006	Fluent et al.	404/117			

* cited by examiner

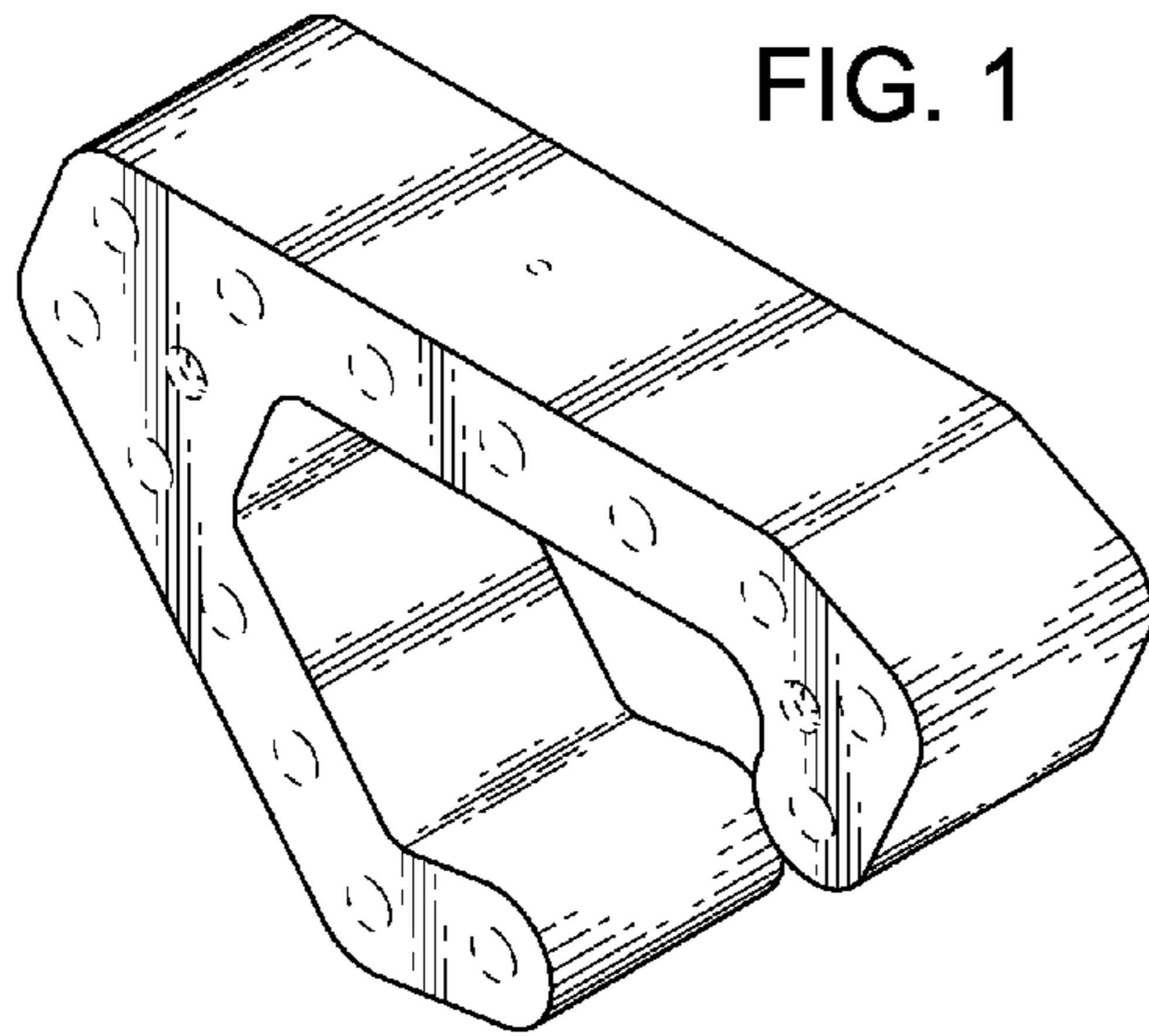


FIG. 1

FIG. 2

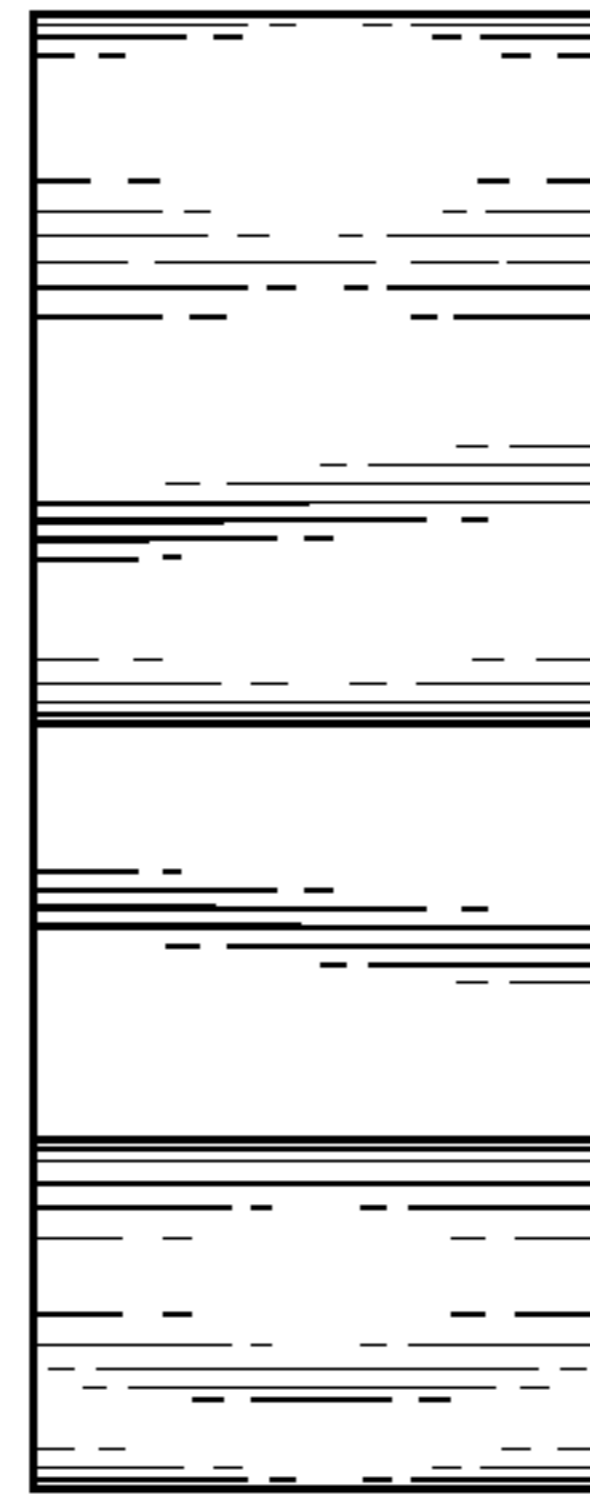


FIG. 3

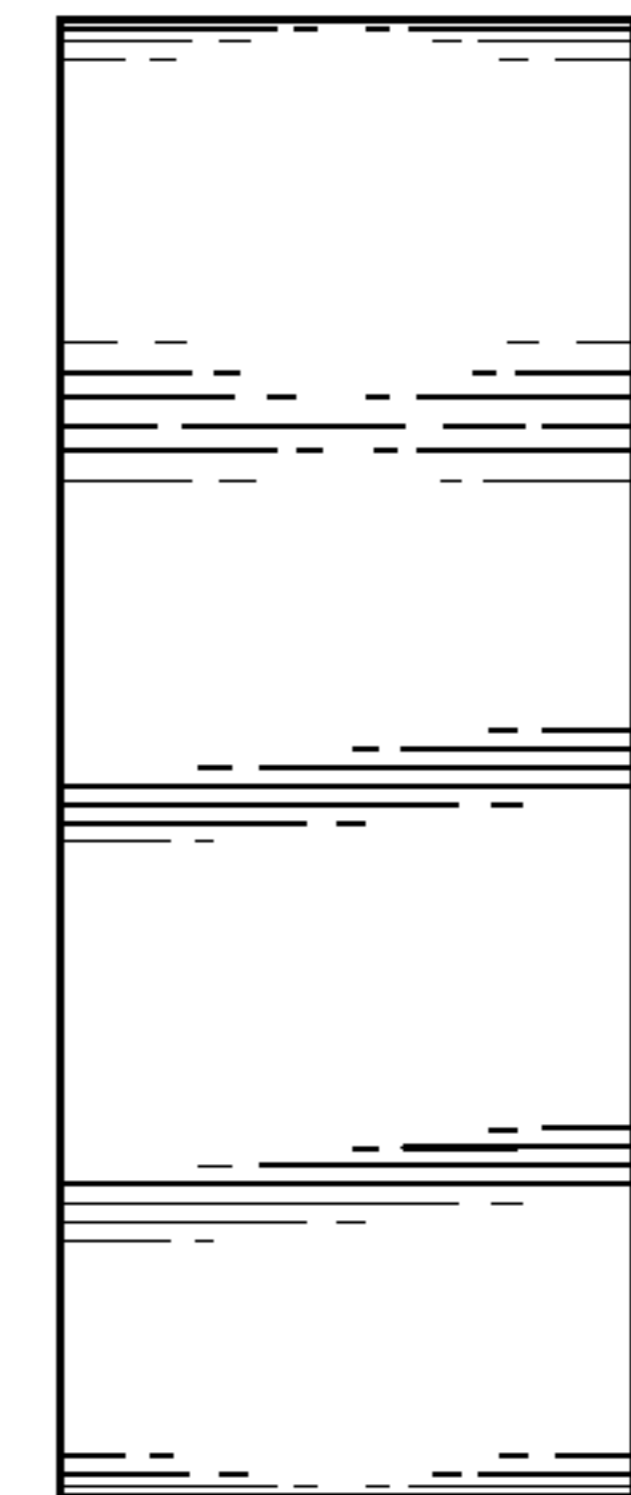


FIG. 4

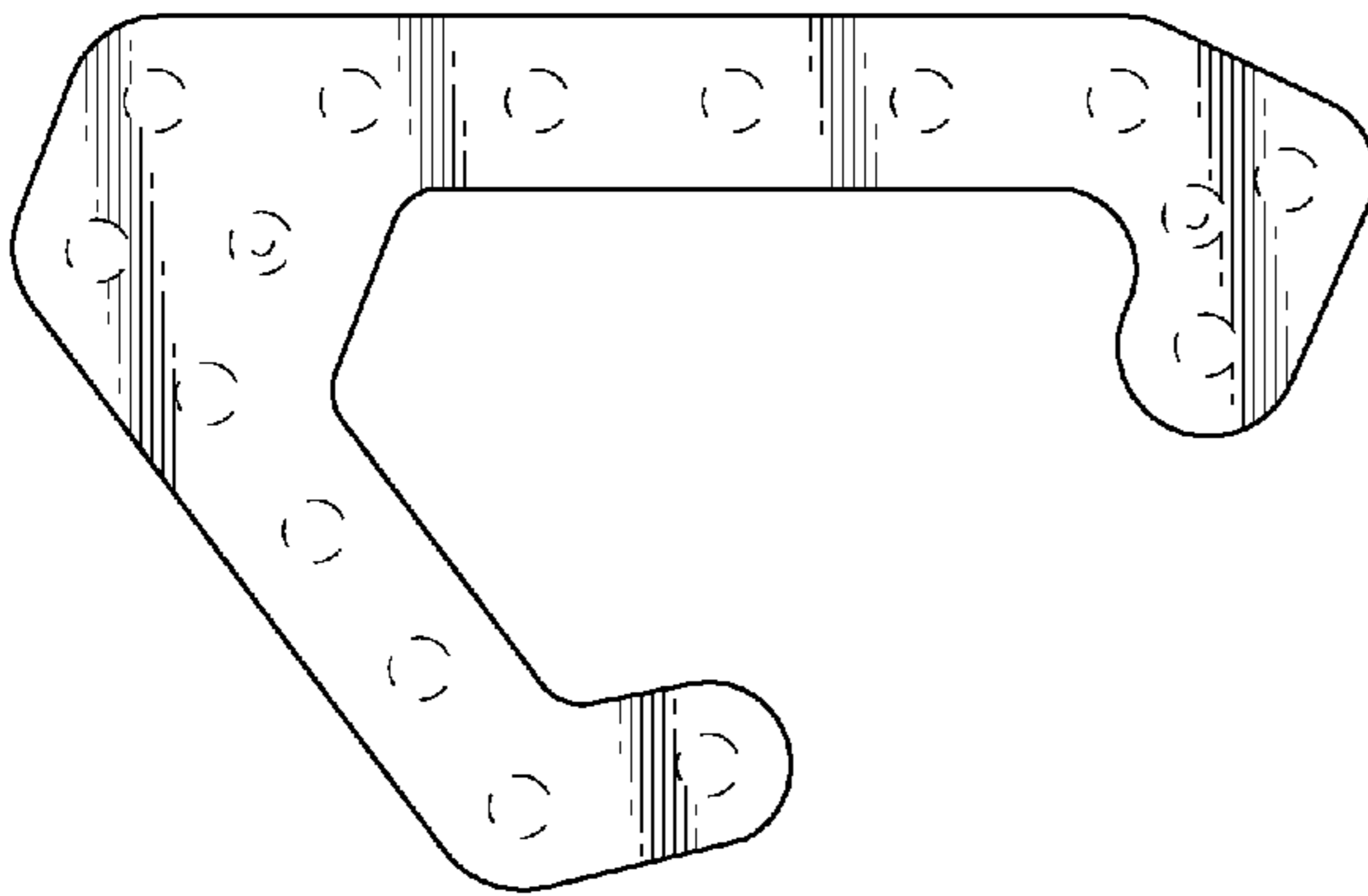


FIG. 5

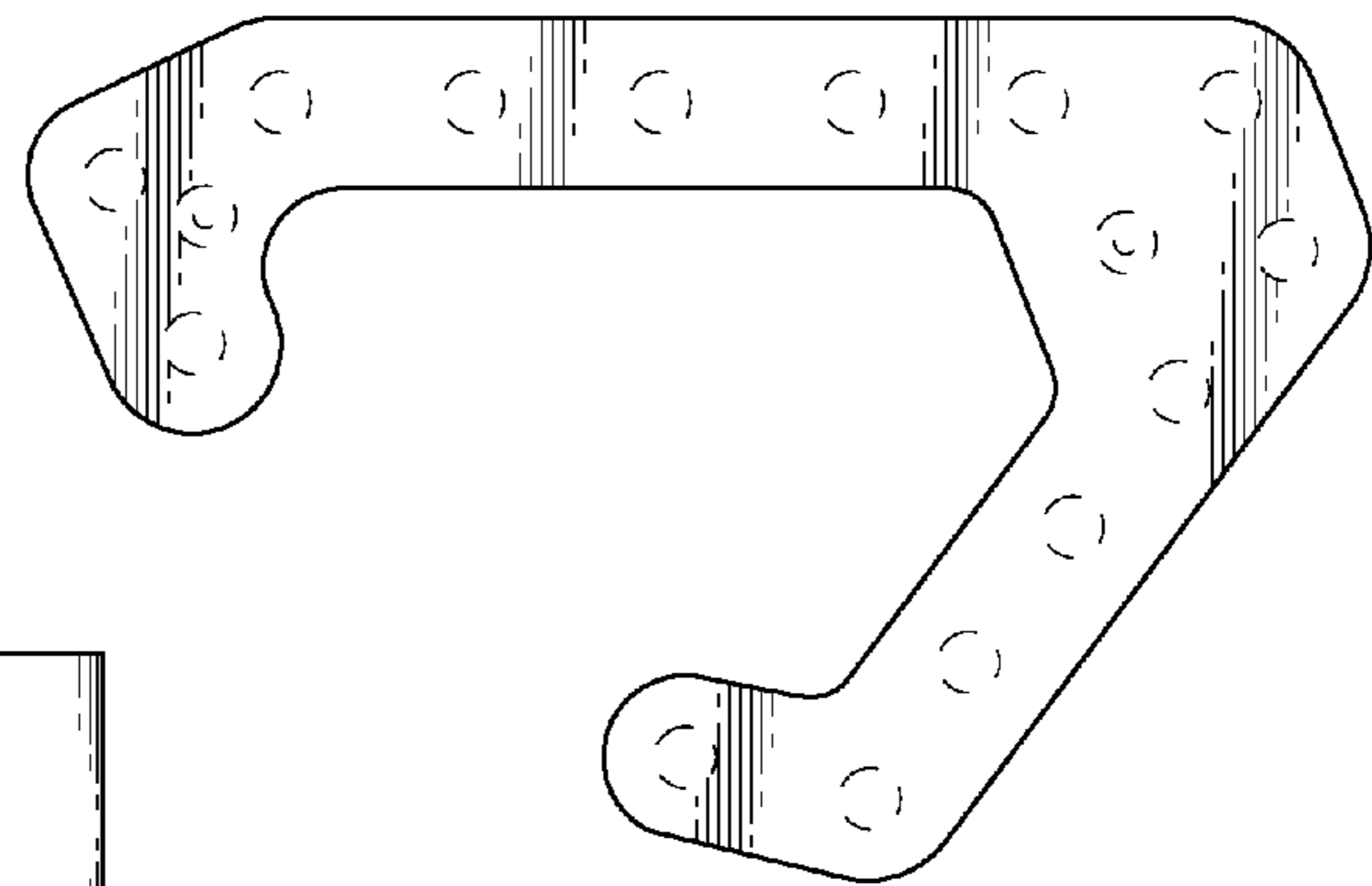


FIG. 6

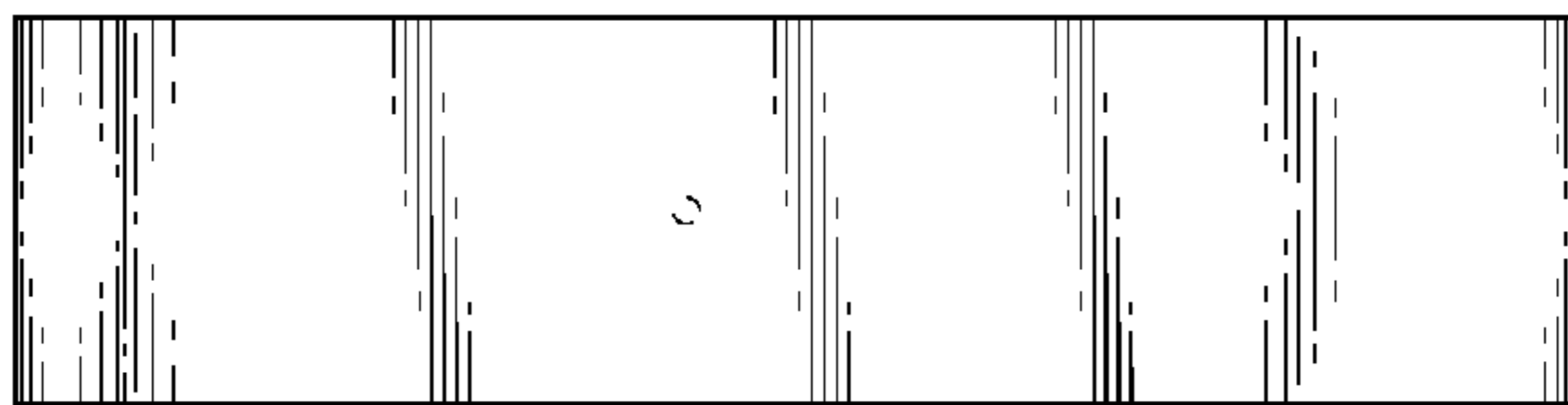


FIG. 7



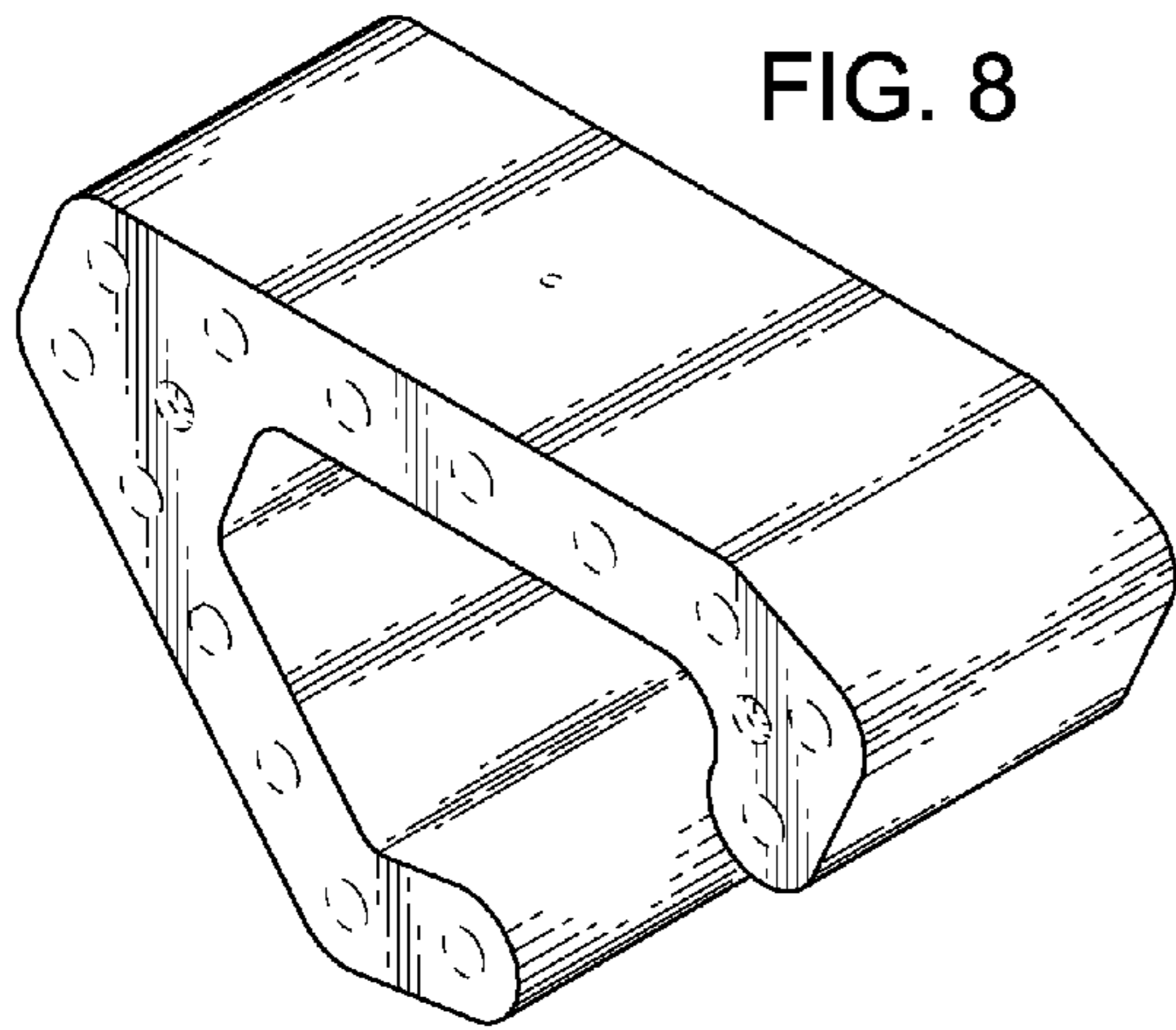


FIG. 8

FIG. 9

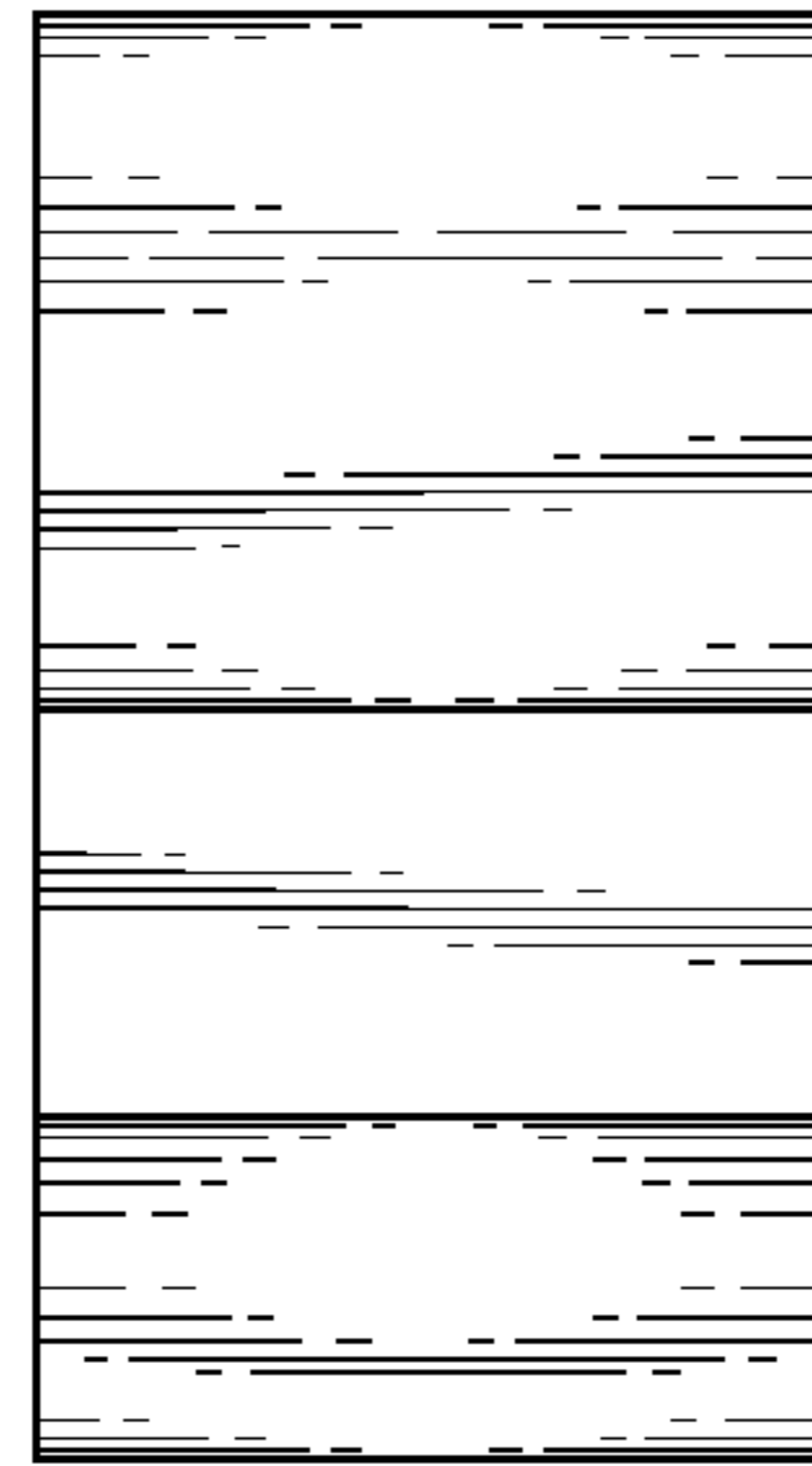


FIG. 10

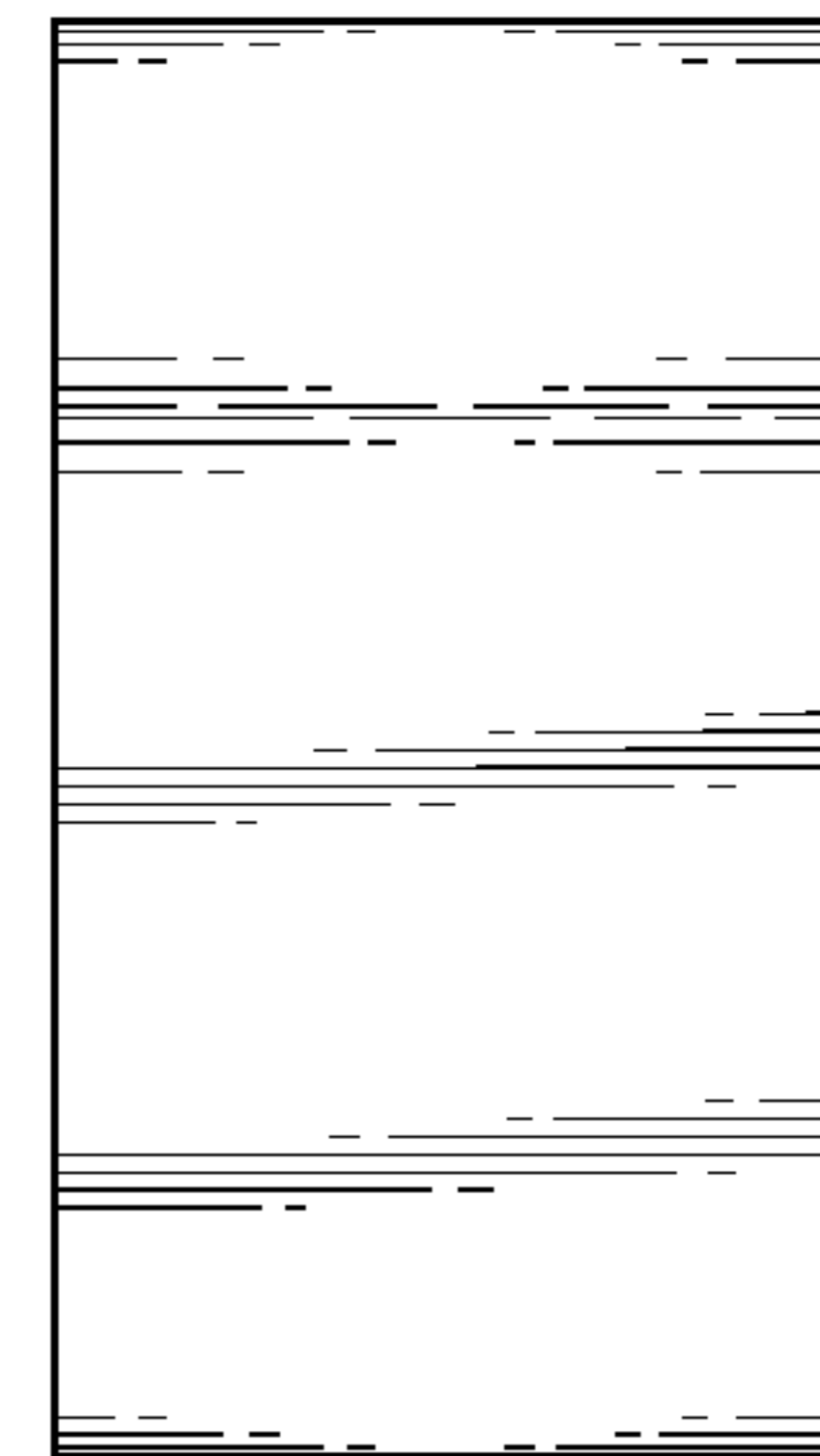


FIG. 11

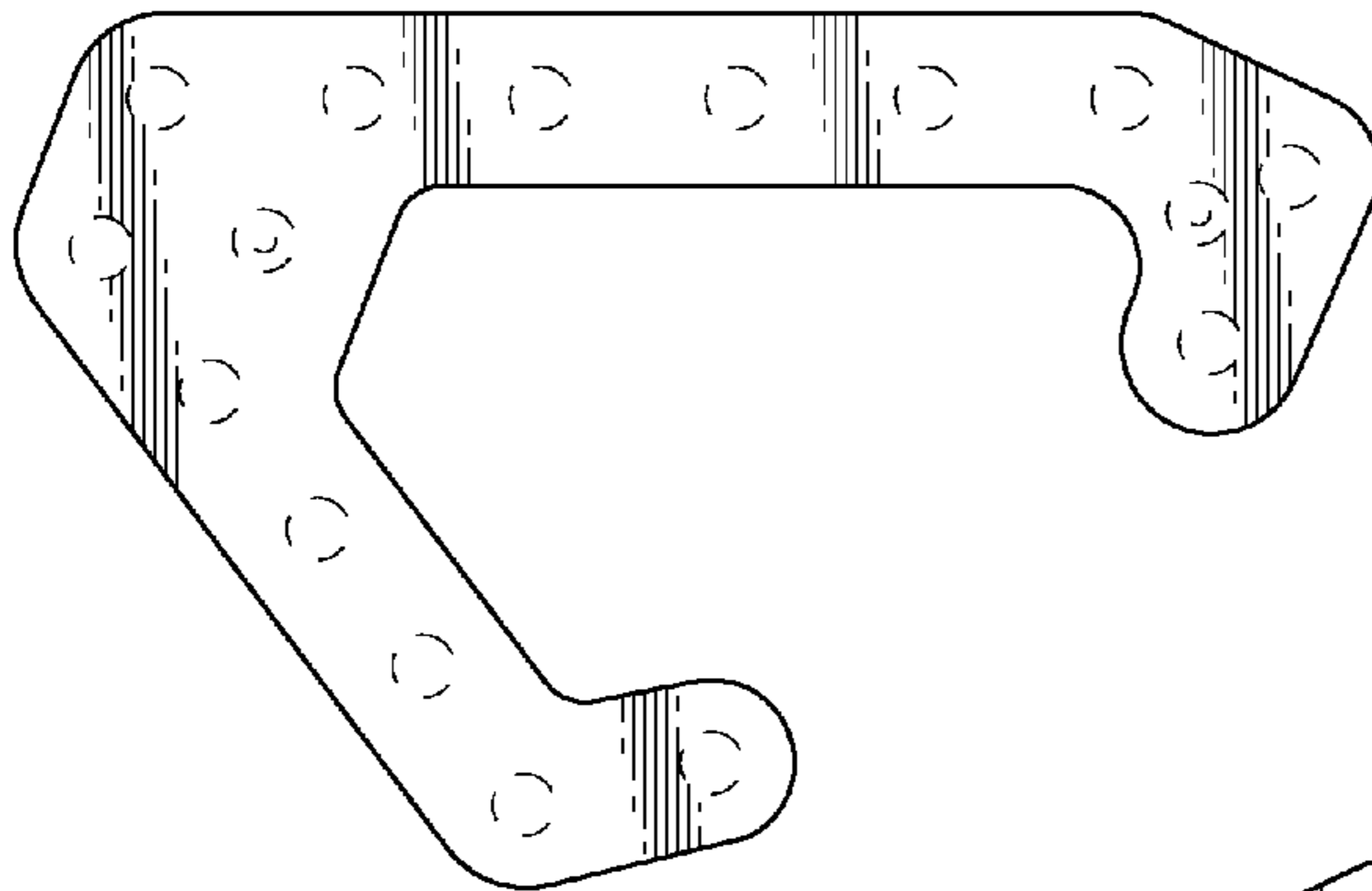


FIG. 12

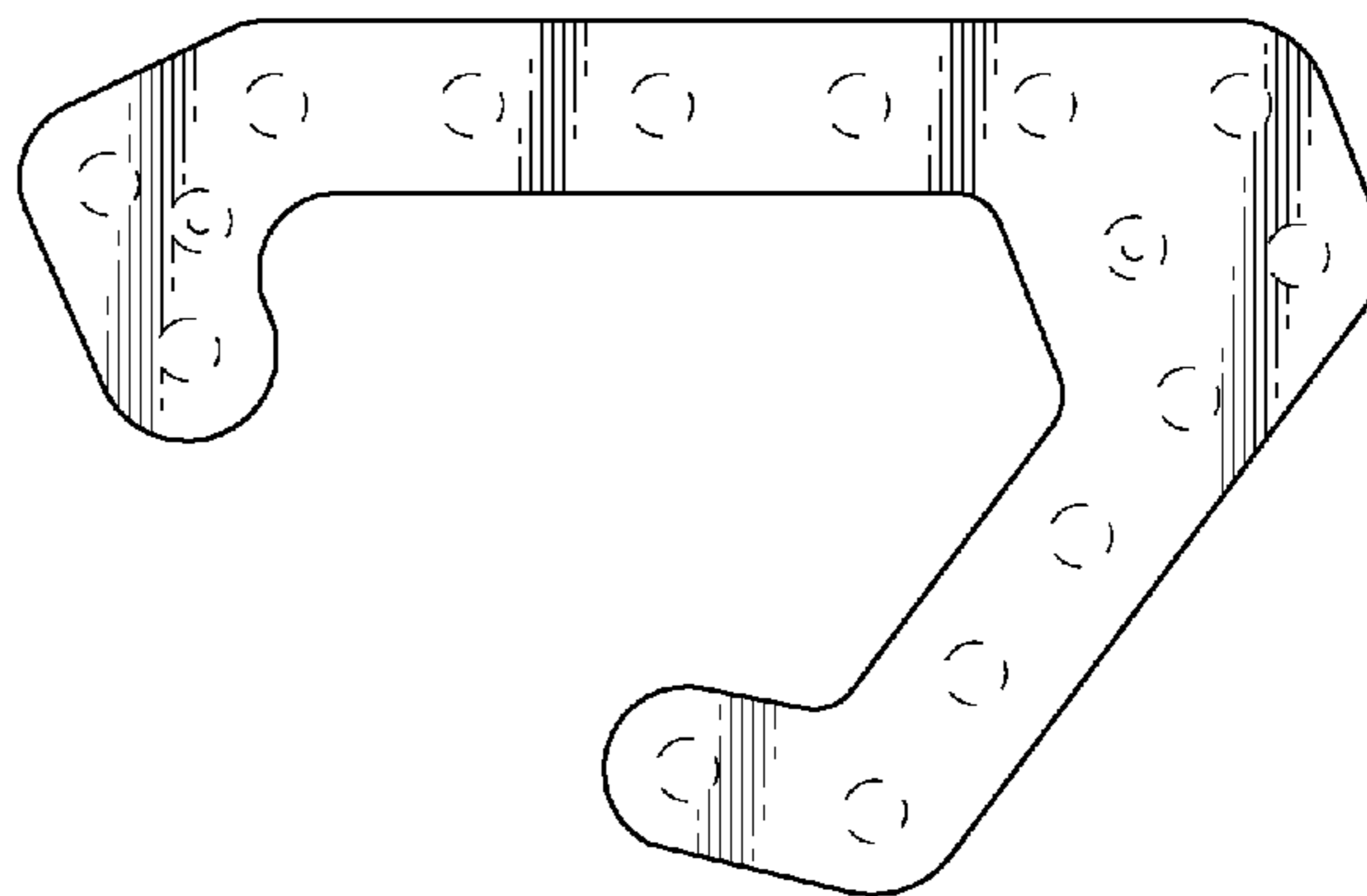


FIG. 13

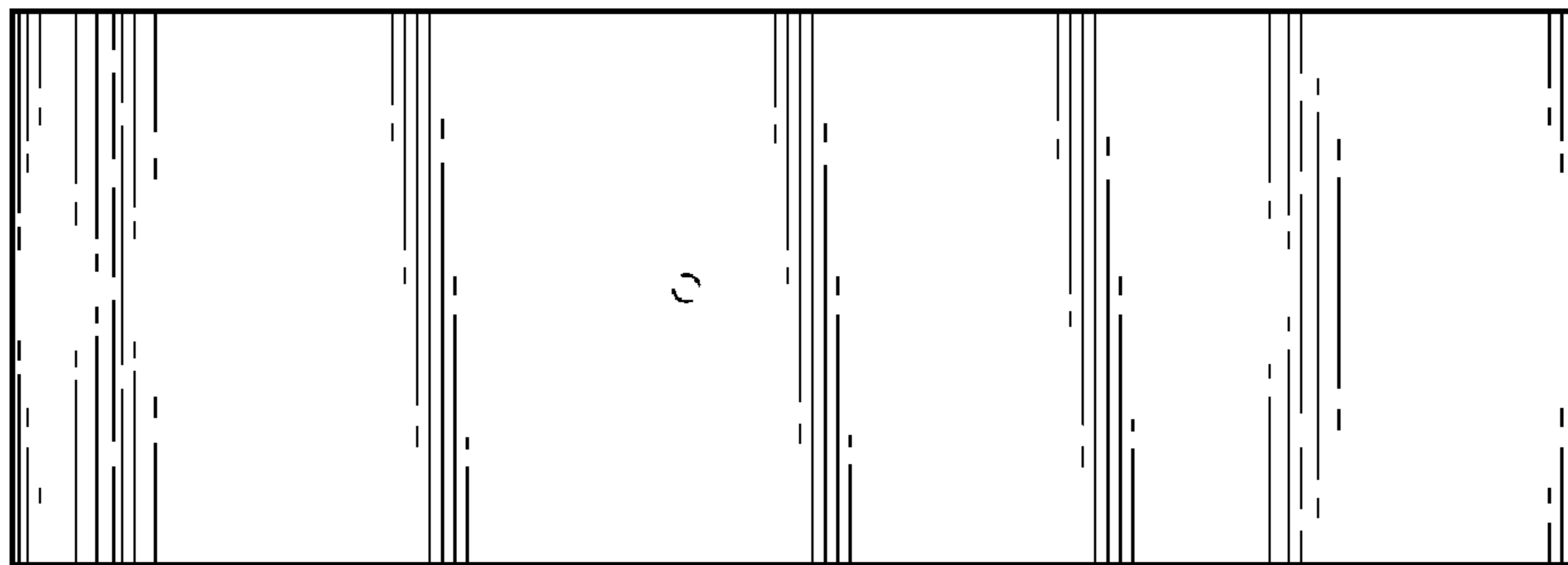


FIG. 14

