



US00D602045S

(12) **United States Design Patent**
Choi et al.

(10) **Patent No.:** **US D602,045 S**

(45) **Date of Patent:** **** Oct. 13, 2009**

(54) **TOW BROADCAST SPREADER**

5,410,824 A * 5/1995 Pedersen 37/242
D359,963 S * 7/1995 Pink et al. D15/17

(75) Inventors: **Charles Y. Choi**, Chicago, IL (US);
Mark R. Pavel, Downers Grove, IL (US)

(Continued)

(73) Assignee: **Agri-Fab, Inc.**, Sullivan, IL (US)

Primary Examiner—Stella M Reid

Assistant Examiner—Mark A Goodwin

(74) *Attorney, Agent, or Firm*—Vedder Price P.C.

(**) Term: **14 Years**

(21) Appl. No.: **29/333,475**

(57) **CLAIM**

(22) Filed: **Mar. 10, 2009**

The ornamental design of the tow broadcast spreader, as shown and described.

(51) **LOC (9) Cl.** **15-03**

(52) **U.S. Cl.** **D15/13**

(58) **Field of Classification Search** D15/13,
D15/17, 27, 28; 222/625, 502, 45, 228, 162,
222/174, 614, 624, 650; 239/681–689, 666,
239/663, 650, 652, 655, 664, 665

See application file for complete search history.

DESCRIPTION

FIG. 1 is a perspective view of one embodiment of a tow broadcast spreader;

FIG. 2 is a front elevation view of the tow broadcast spreader of FIG. 1;

FIG. 3 is a first side view of the tow broadcast spreader of FIG. 1, the opposite side being substantially a mirror image thereof;

FIG. 4 is a bottom plan view of the tow broadcast spreader of FIG. 1;

FIG. 5 is a top plan view of the tow broadcast spreader of FIG. 1;

FIG. 6 is a perspective view of a second embodiment of a tow broadcast spreader;

FIG. 7 is a front elevation view of the tow broadcast spreader of FIG. 6;

FIG. 8 is a first side view of the tow broadcast spreader of FIG. 6, the opposite side being substantially a mirror image thereof;

FIG. 9 is a bottom plan view of the tow broadcast spreader of FIG. 6; and,

FIG. 10 is a top plan view of the tow broadcast spreader of FIG. 6.

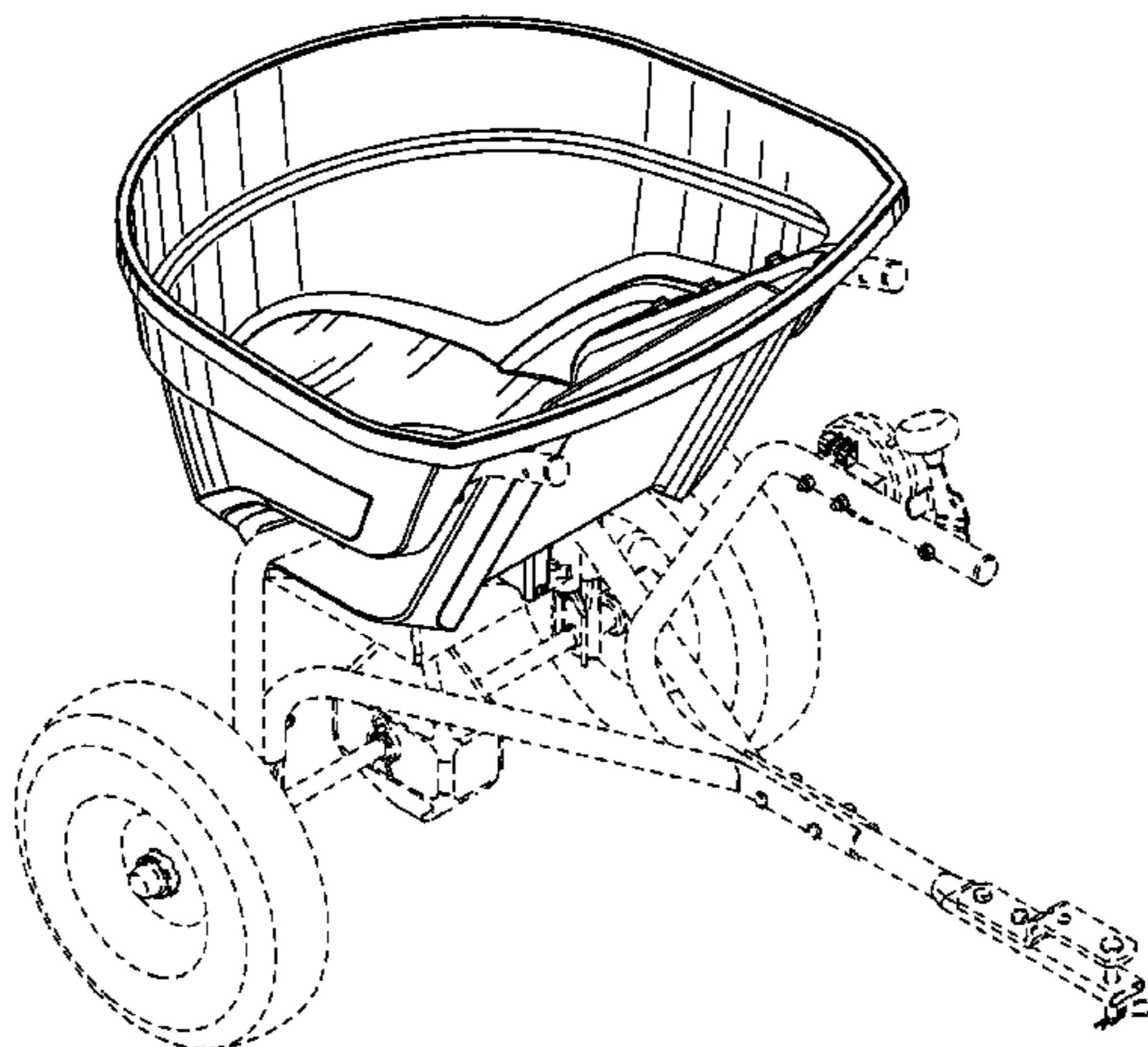
The broken line showing of the frame and wheels is included for the purpose of illustrating portions of the tow broadcast spreader and forms no part of the claimed design.

(56) **References Cited**

U.S. PATENT DOCUMENTS

2,514,962	A	7/1950	McElhatton	
2,988,250	A	6/1961	Ryan	
3,135,517	A	6/1964	Klema	
3,383,055	A *	5/1968	Speicher	239/687
3,484,845	A	12/1969	Warner et al.	
3,979,071	A	9/1976	Biggs, Jr.	
4,032,074	A	6/1977	Amerine	
4,402,438	A	9/1983	Gregory	
4,511,090	A	4/1985	Morgan	
4,548,362	A *	10/1985	Doering	239/685
D282,931	S *	3/1986	Doering et al.	D15/13
4,671,434	A	6/1987	Johnston et al.	
4,681,265	A *	7/1987	Brabb et al.	239/665
4,867,381	A *	9/1989	Speicher	239/665
4,903,541	A	2/1990	Shiota	
4,991,781	A *	2/1991	Barbieri	239/661
5,145,116	A *	9/1992	Shaver	239/665
5,190,225	A	3/1993	Williams	
D338,893	S *	8/1993	Simpson	D15/13
D338,894	S *	8/1993	Simpson	D15/13
5,294,060	A *	3/1994	Thompson	239/656
5,340,033	A *	8/1994	Whitell	239/676
5,370,321	A	12/1994	Bianco	

1 Claim, 9 Drawing Sheets



US D602,045 S

Page 2

U.S. PATENT DOCUMENTS

5,485,963	A *	1/1996	Walto et al.	239/663	D414,783	S *	10/1999	Spear	D15/13
D368,914	S *	4/1996	Pink et al.	D15/13	5,966,846	A *	10/1999	Harms et al.	37/249
D371,142	S *	6/1996	Delaby et al.	D15/13	6,138,927	A	10/2000	Spear et al.	
5,570,814	A *	11/1996	Havlovitz	222/45	D476,341	S *	6/2003	Booten et al.	D15/17
D376,155	S *	12/1996	Havlovitz	D15/13	6,616,074	B2	9/2003	Courtney et al.	
5,584,732	A	12/1996	Owen		D490,088	S *	5/2004	Powell et al.	D15/17
5,597,092	A	1/1997	Havlovitz		D496,052	S *	9/2004	Braime et al.	D15/32
D384,679	S *	10/1997	Havlovitz et al.	D15/13	D498,772	S *	11/2004	Greene	D15/28
5,842,648	A *	12/1998	Havlovitz et al.	239/650	6,945,481	B2	9/2005	Thompson et al.	
D413,903	S *	9/1999	Spear	D15/13	7,063,280	B1	6/2006	Bogart et al.	
D413,904	S *	9/1999	Spear	D15/13	2008/0078850	A1 *	4/2008	Bowsher	239/687

* cited by examiner

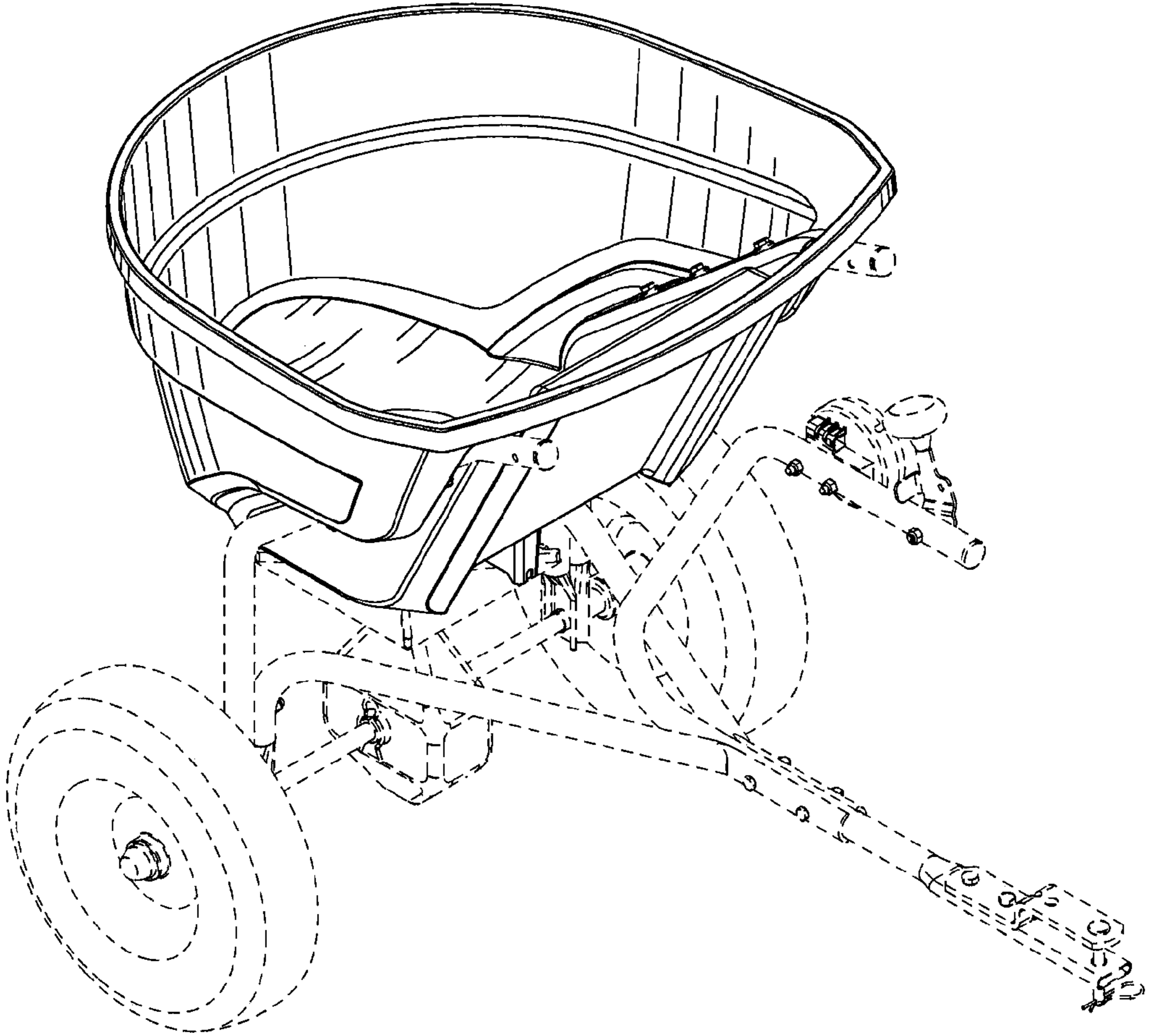


FIG. 1

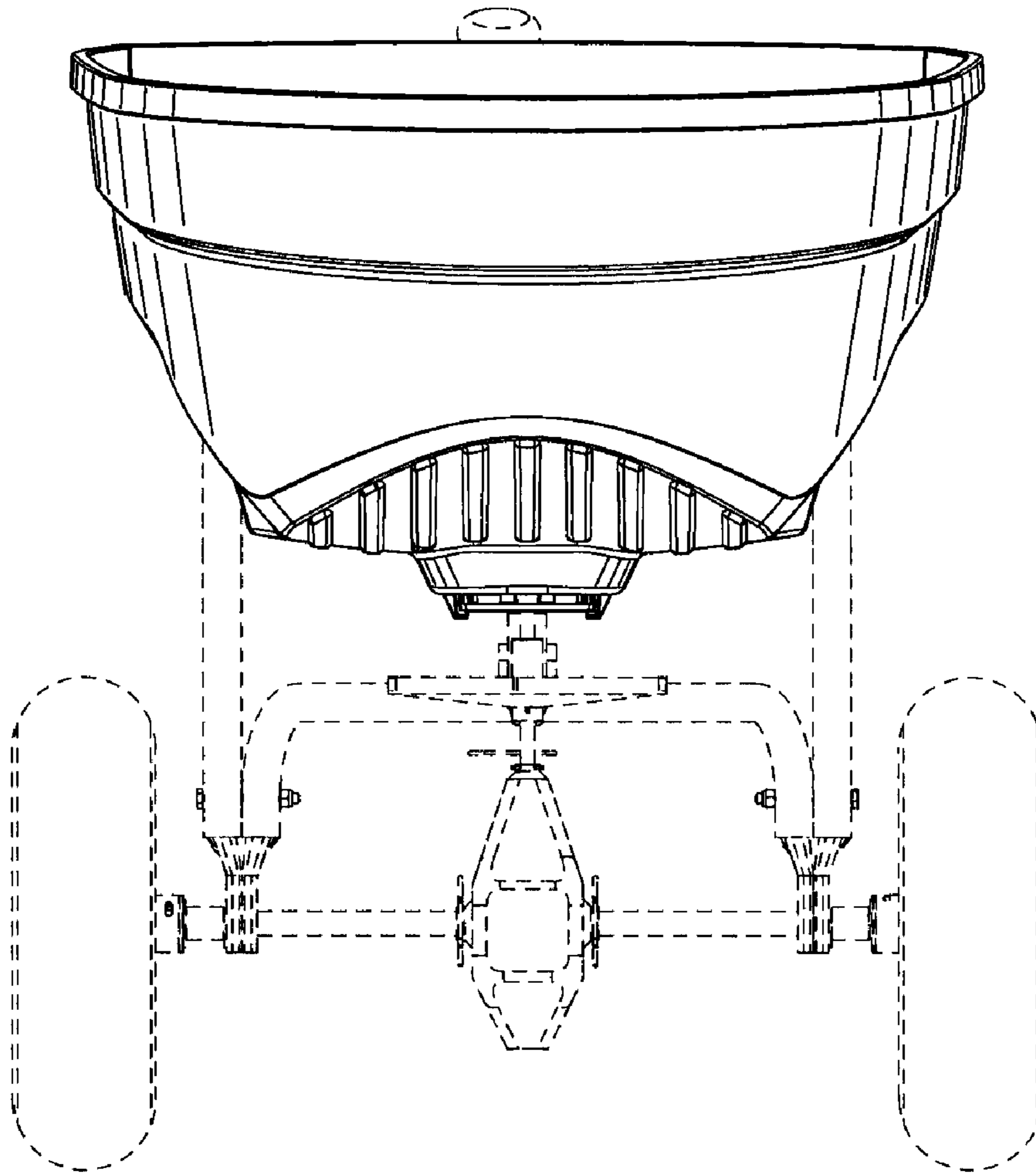


FIG. 2

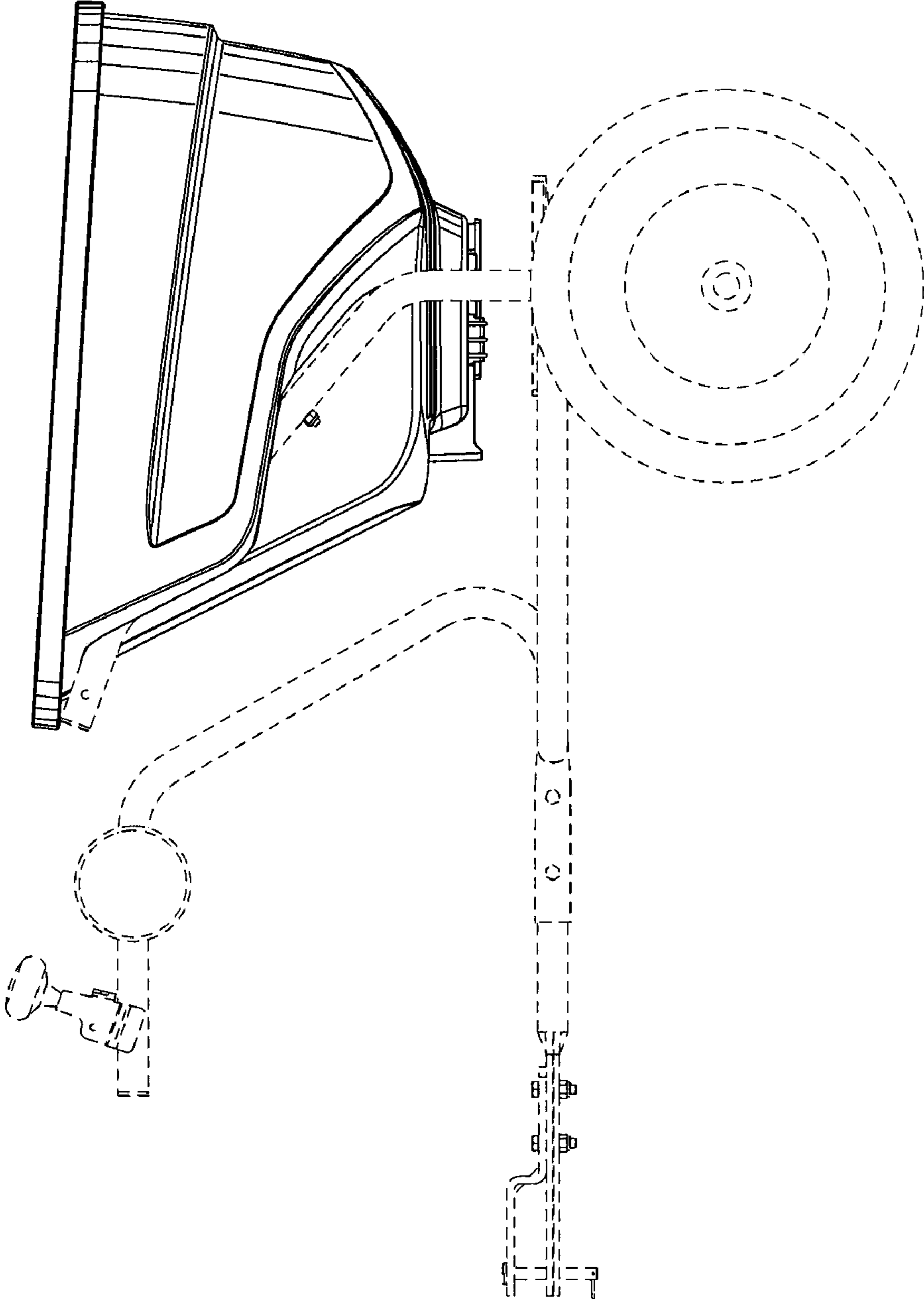


FIG. 3

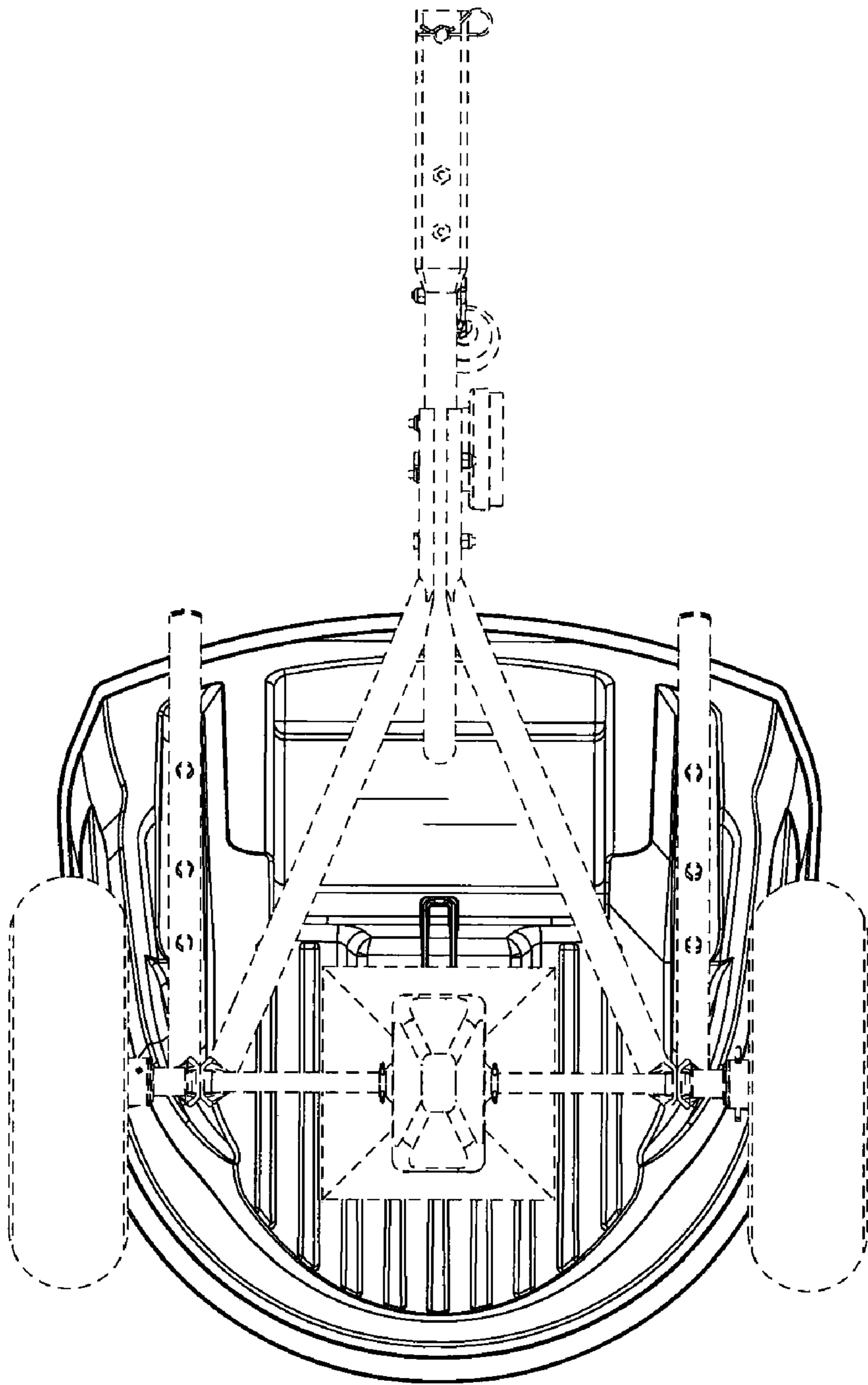


FIG. 4

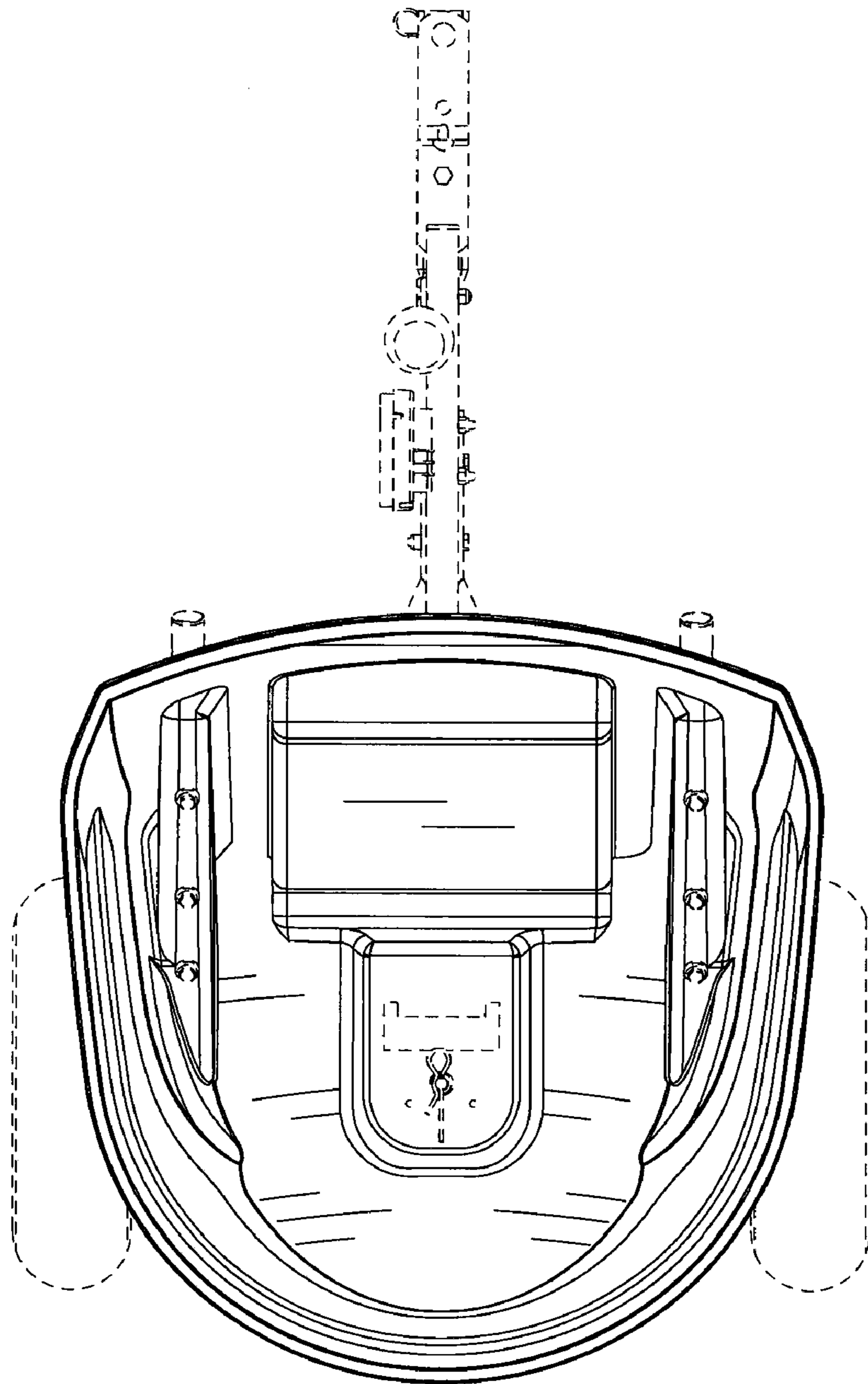


FIG. 5

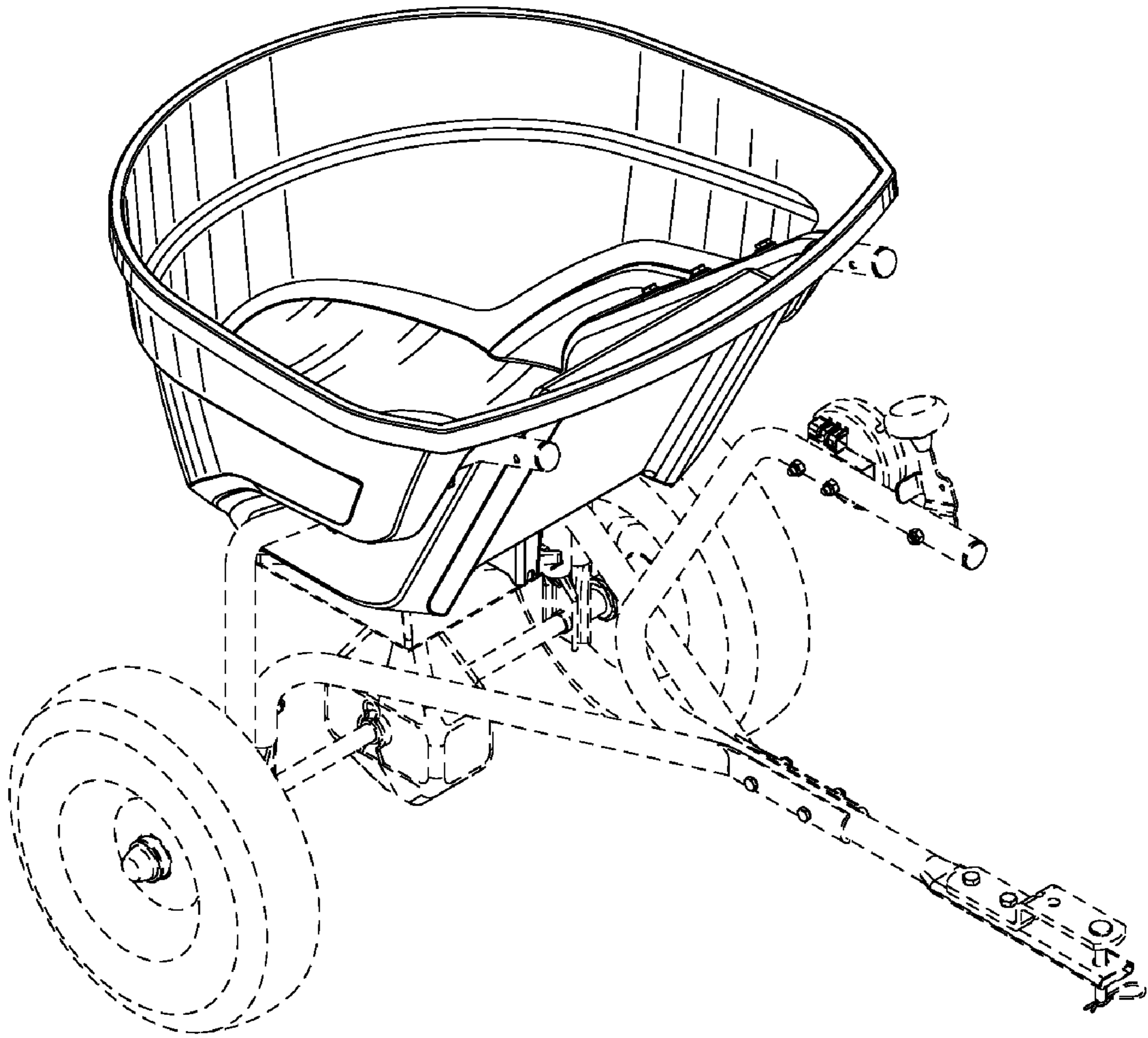


FIG. 6

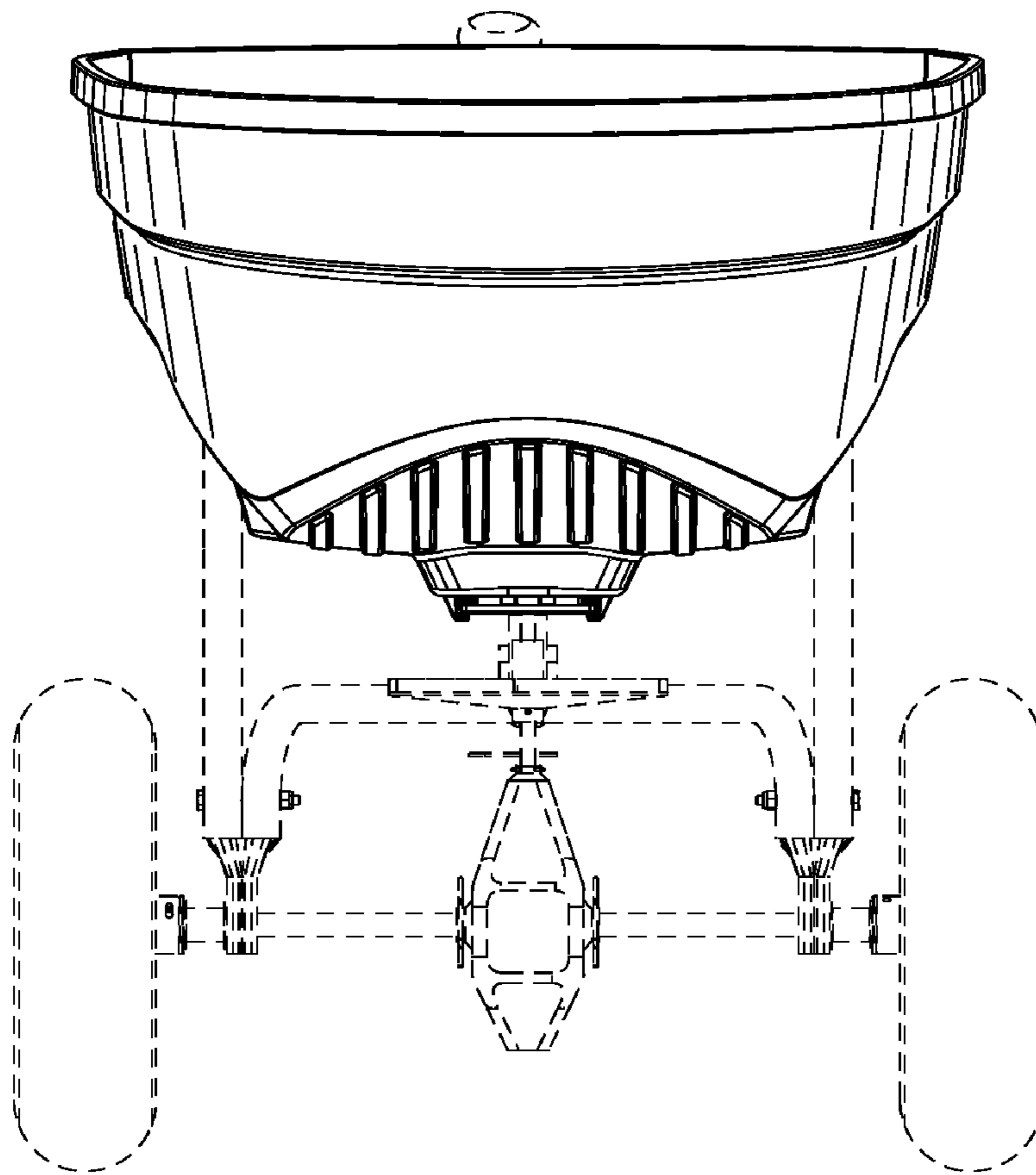


FIG. 7

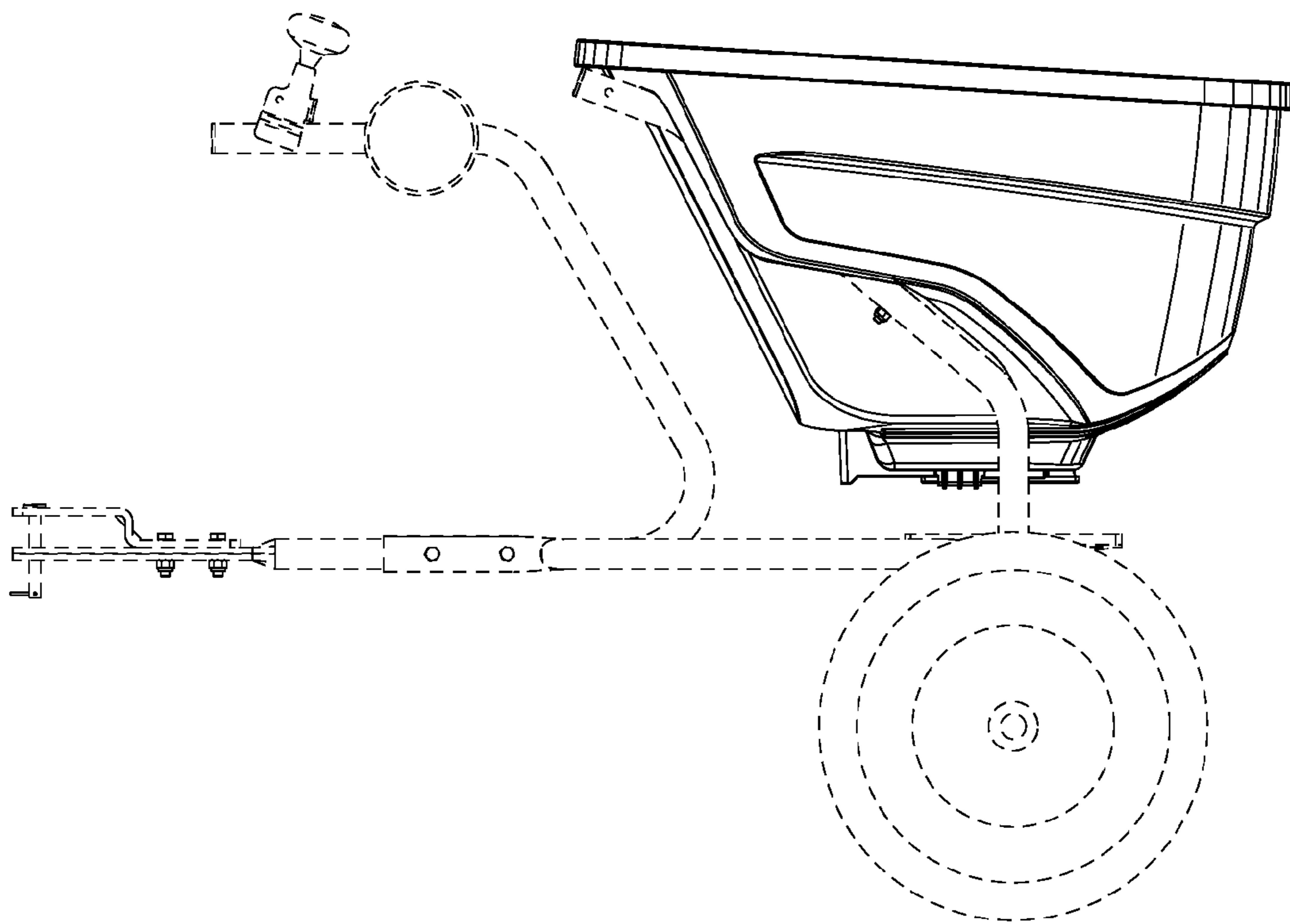


FIG. 8

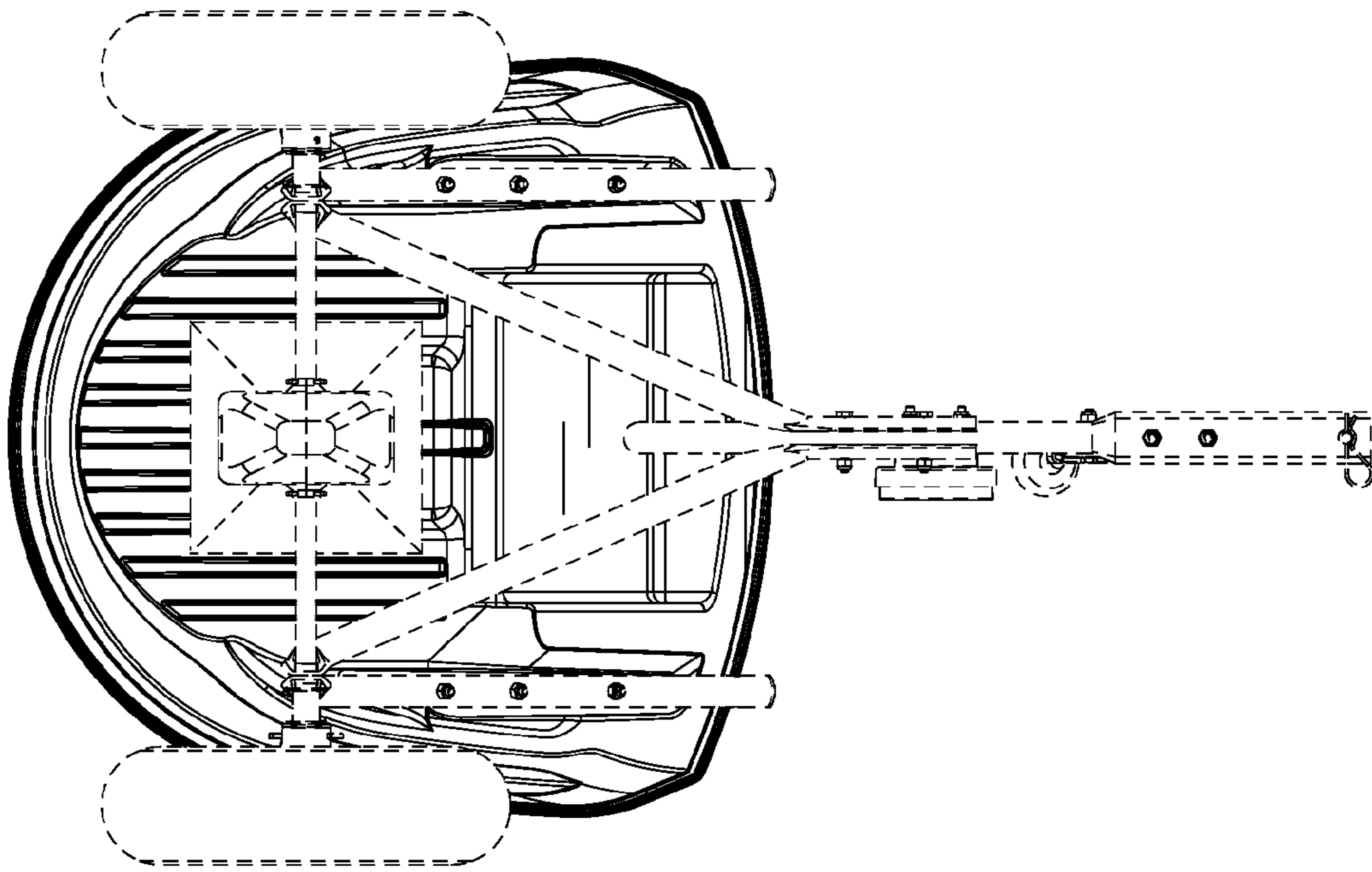


FIG. 9

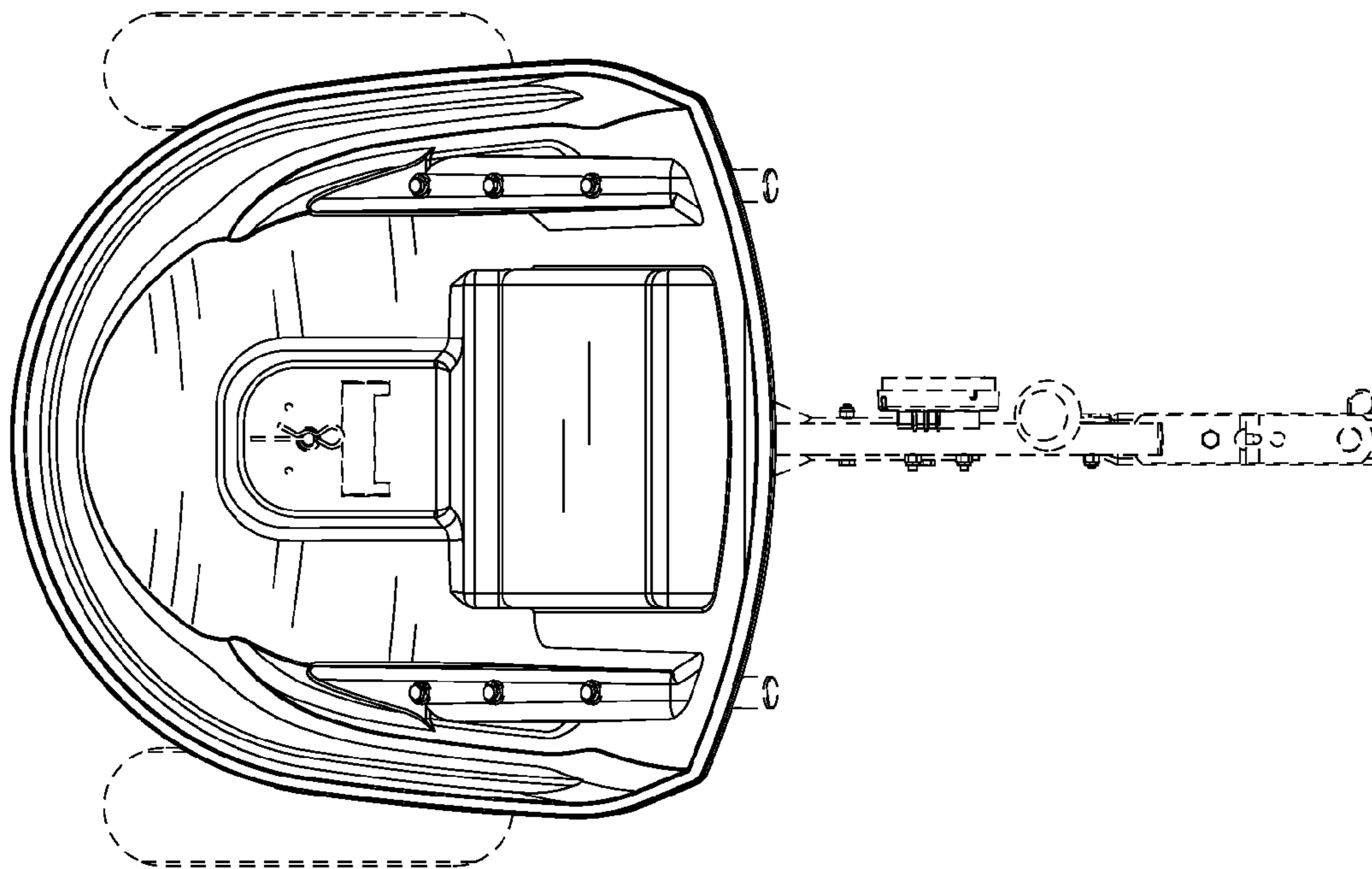


FIG. 10