



US00D602044S

(12) **United States Design Patent**  
**Steinfels et al.**

(10) **Patent No.:** **US D602,044 S**  
(45) **Date of Patent:** **\*\* Oct. 13, 2009**

(54) **PRESSURIZED AIR MANIFOLD WITH A REGULATOR**  
(75) Inventors: **Craig R. Steinfels**, Jackson, TN (US);  
**Daniel J. Clifton**, Cincinnati, OH (US)  
(73) Assignee: **Black & Decker Inc.**, Newark, DE (US)  
(\*\*) Term: **14 Years**  
(21) Appl. No.: **29/303,492**  
(22) Filed: **Feb. 11, 2008**  
(51) **LOC (9) Cl.** ..... **15-01**  
(52) **U.S. Cl.** ..... **D15/5**  
(58) **Field of Classification Search** ..... D15/1,  
D15/3, 5; D23/233-237; D10/85; 137/883,  
137/884; 123/585  
See application file for complete search history.

6,340,034 B1 1/2002 Arnott et al.  
6,468,048 B1 10/2002 Burkholder et al.  
6,532,990 B1 3/2003 Wood et al.  
6,532,991 B1 3/2003 Wood et al.  
6,655,925 B1 12/2003 Robenalt et al.  
6,742,995 B1 6/2004 Wood et al.  
6,820,638 B1 11/2004 Gosinski  
6,834,666 B2 12/2004 Murayama et al.  
6,868,868 B2 \* 3/2005 Okitsu ..... 137/884  
6,923,627 B1 8/2005 Wood et al.  
D517,567 S \* 3/2006 Teeter ..... D15/5  
7,216,672 B1 5/2007 Chen  
7,243,684 B1 7/2007 Chen  
D569,391 S \* 5/2008 Miller et al. .... D15/5  
2004/0197200 A1 10/2004 Wood et al.  
2006/0065309 A1 3/2006 Leasure et al.

\* cited by examiner

*Primary Examiner*—Lisa P Lichtenstein

(74) *Attorney, Agent, or Firm*—Michael P. Leary; Adan Ayala

(56) **References Cited**

U.S. PATENT DOCUMENTS

2,490,839 A 12/1949 Shaffer et al.  
3,459,221 A \* 8/1969 Axelrod ..... 137/883  
3,760,842 A 9/1973 Mikiya  
3,928,711 A 12/1975 Jakobsen  
4,177,835 A 12/1979 Paley  
4,432,392 A 2/1984 Paley  
4,570,677 A 2/1986 Roxton et al.  
4,827,983 A 5/1989 Hoffmann  
4,870,994 A 10/1989 Raymond  
5,038,819 A 8/1991 Sutphen  
D343,640 S 1/1994 Thies  
5,303,733 A 4/1994 Nelson  
5,598,869 A 2/1997 Nelson  
D378,283 S \* 3/1997 Diehl ..... D10/85  
6,305,049 B1 10/2001 Koch

(57) **CLAIM**

The ornamental design for a pressurized air manifold with a regulator, as shown and described.

**DESCRIPTION**

FIG. 1 is a top/front perspective view of a pressurized air manifold with a regulator showing our new design.

FIG. 2 is a right side view thereof.

FIG. 3 is a left side view thereof.

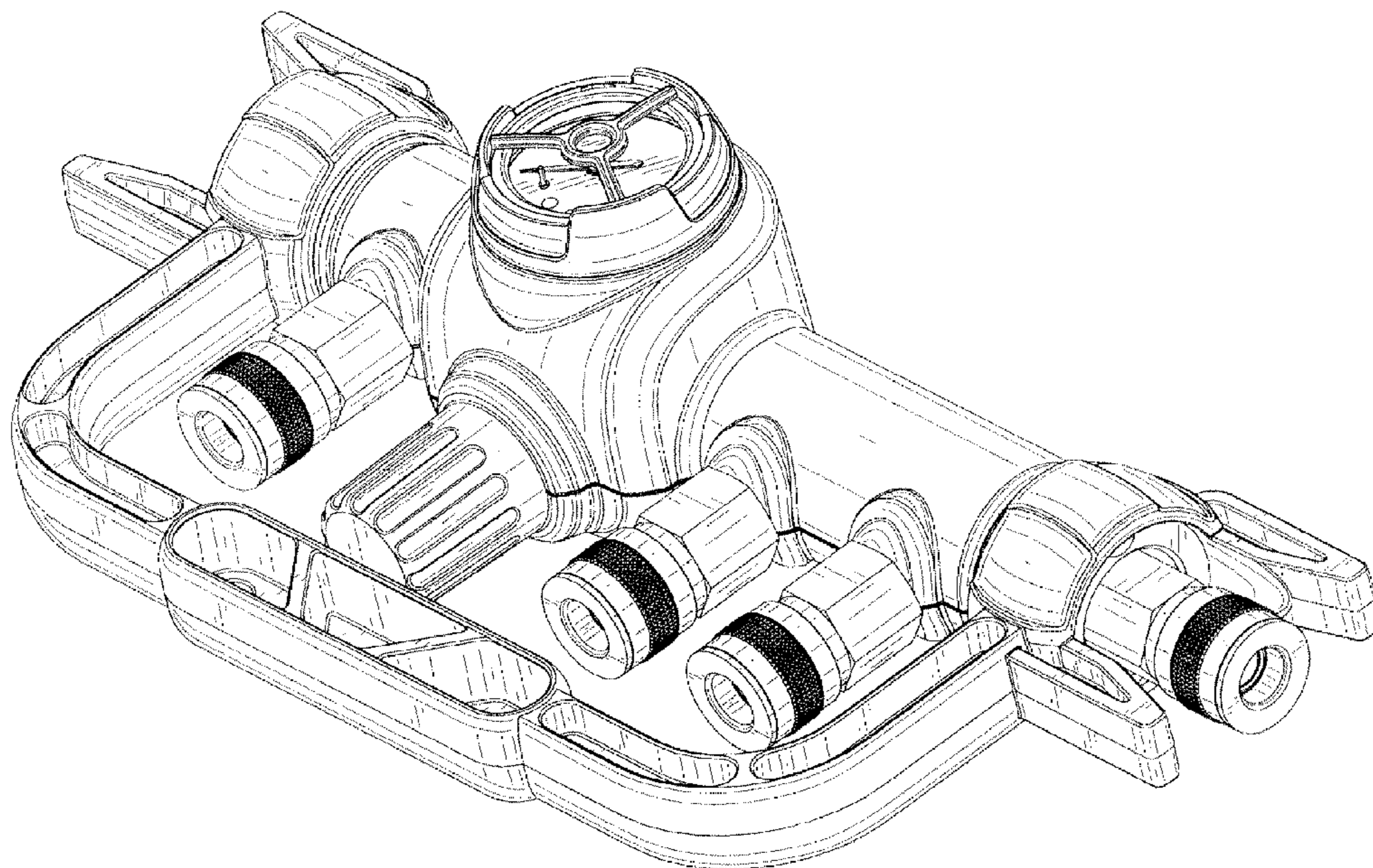
FIG. 4 is a rear view thereof.

FIG. 5 is a front view thereof.

FIG. 6 is a top side view thereof; and,

FIG. 7 is a bottom view thereof.

**1 Claim, 6 Drawing Sheets**





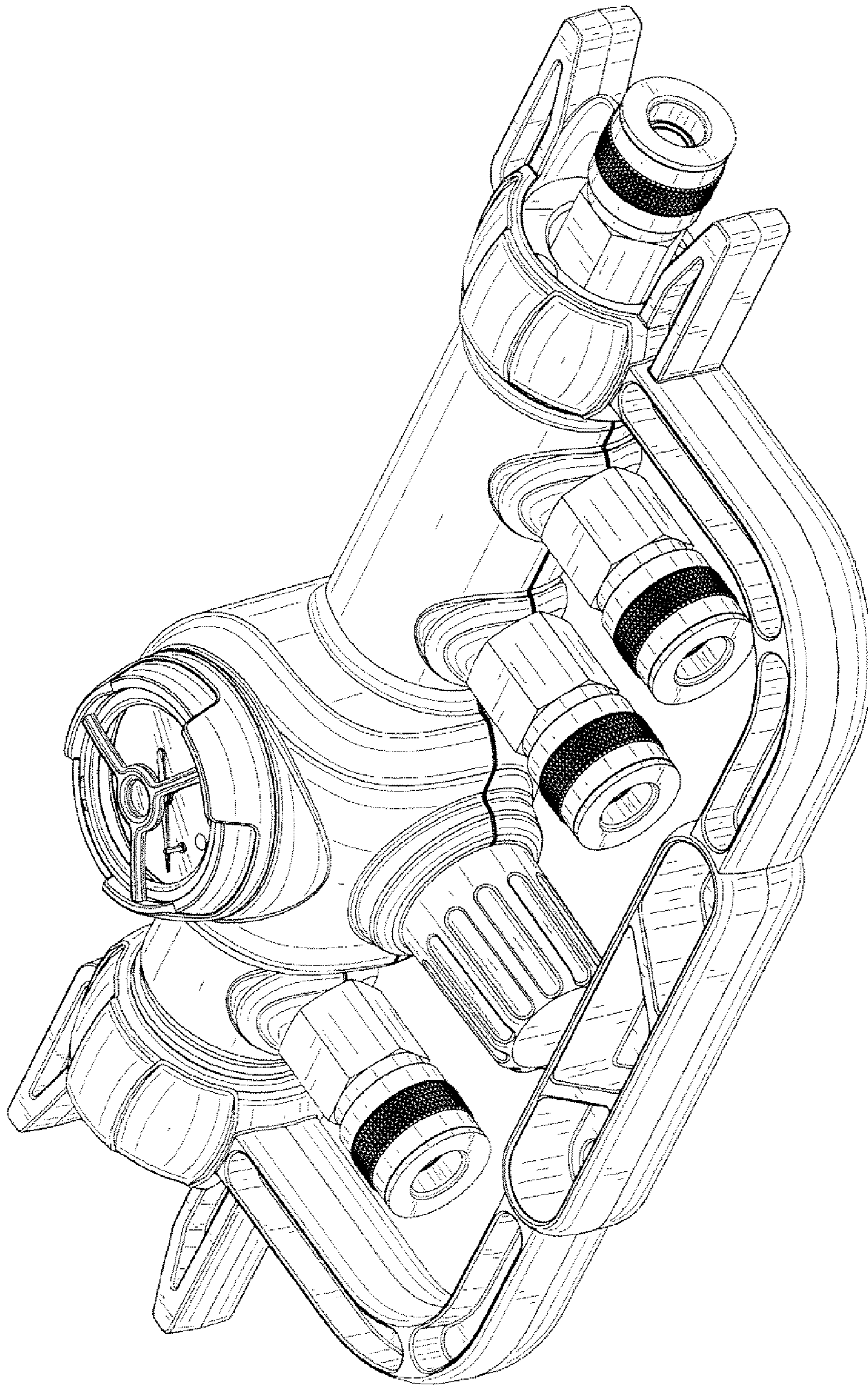


FIG. 1

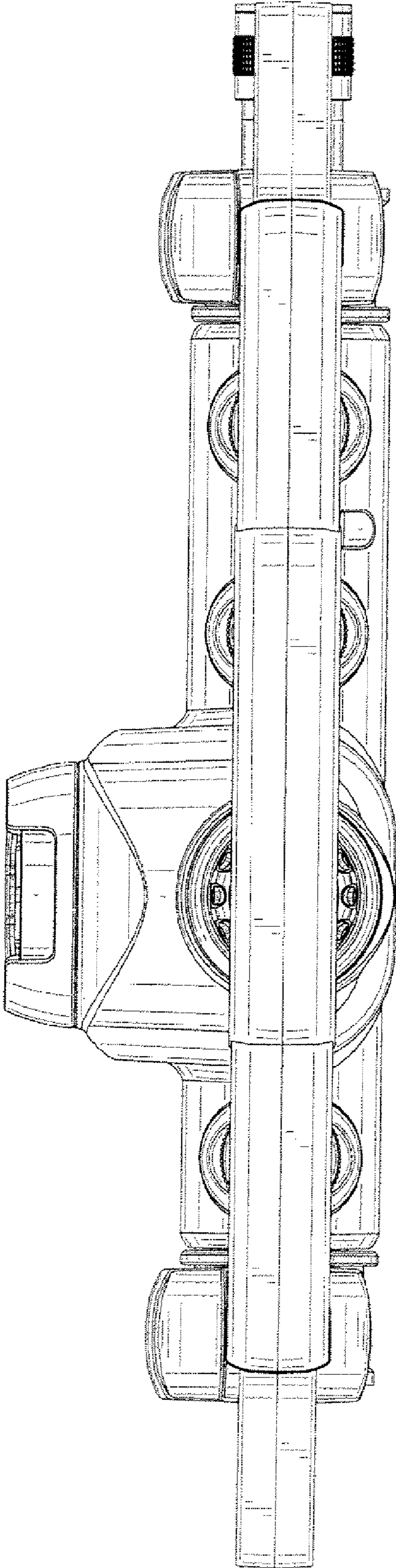


FIG. 2

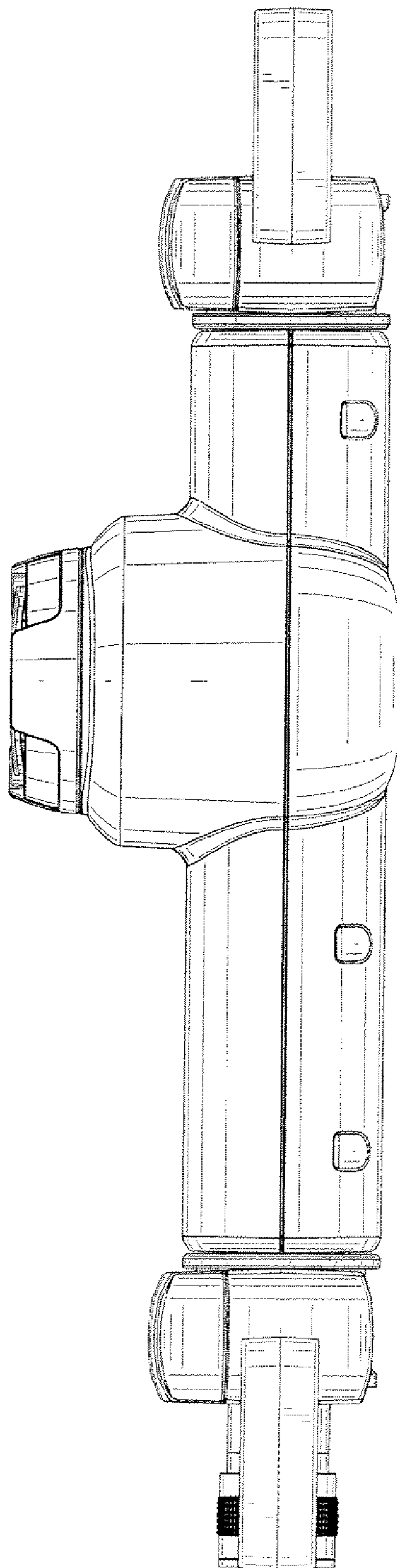


FIG. 3



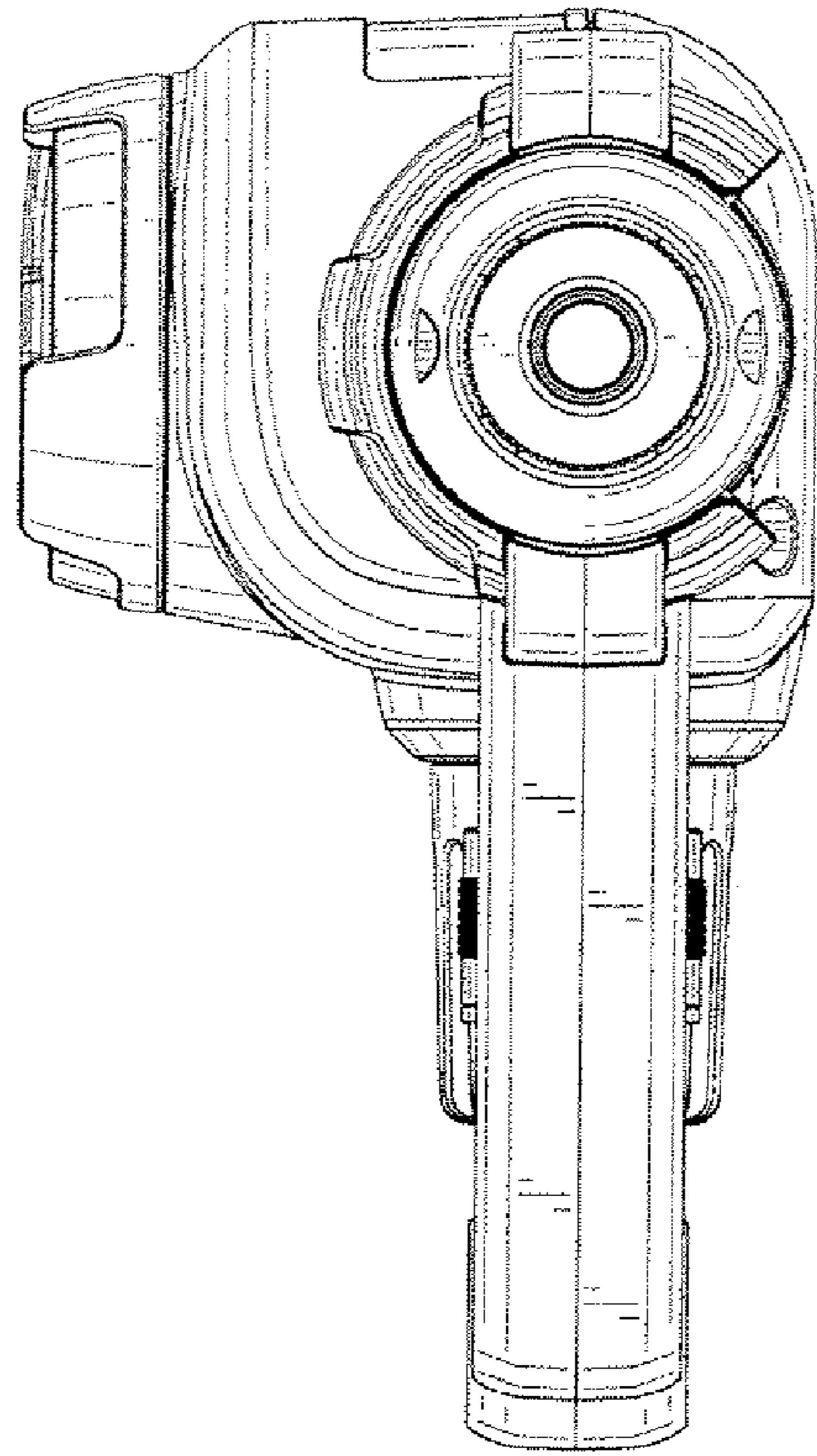


FIG. 5

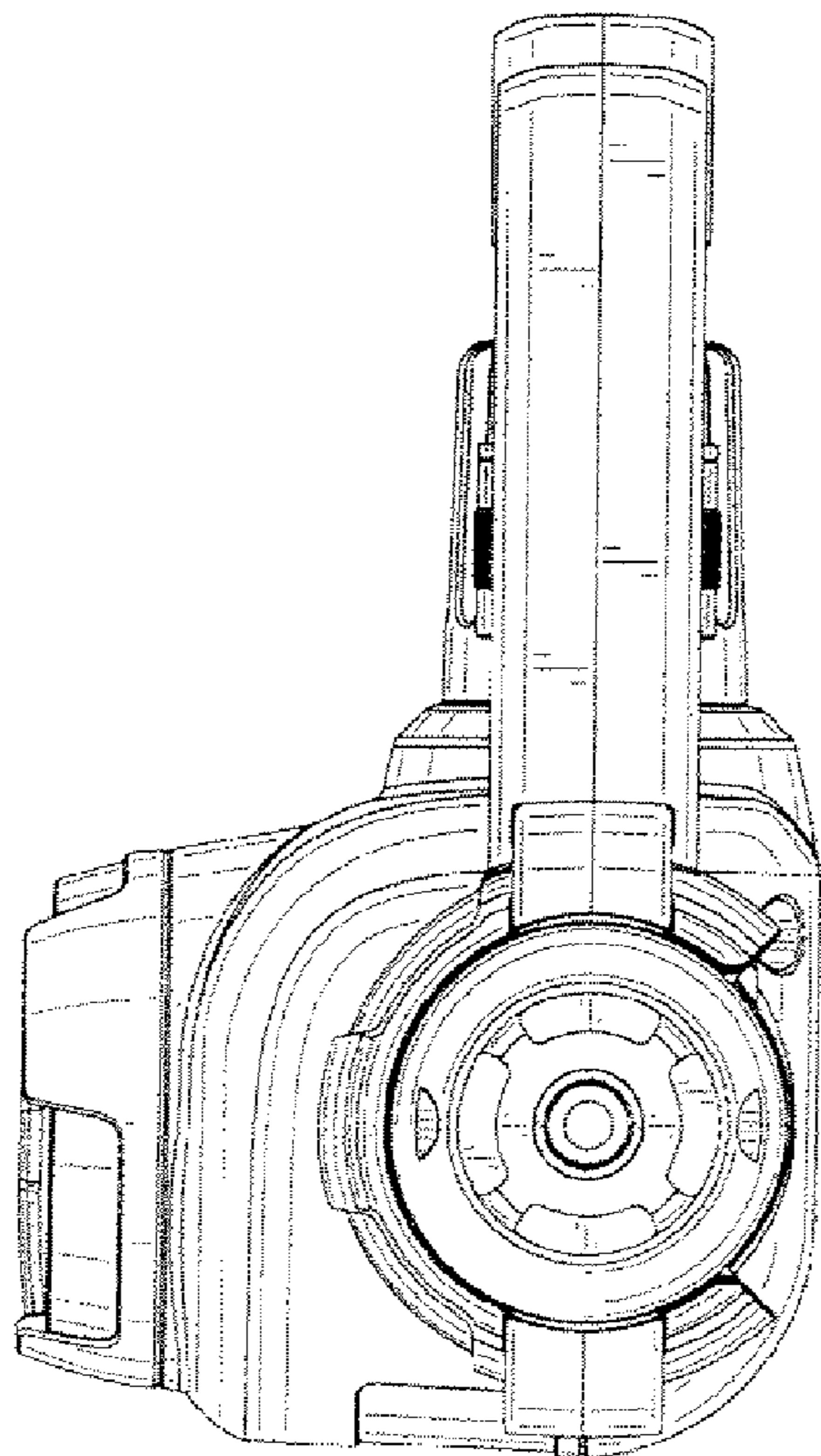


FIG. 4

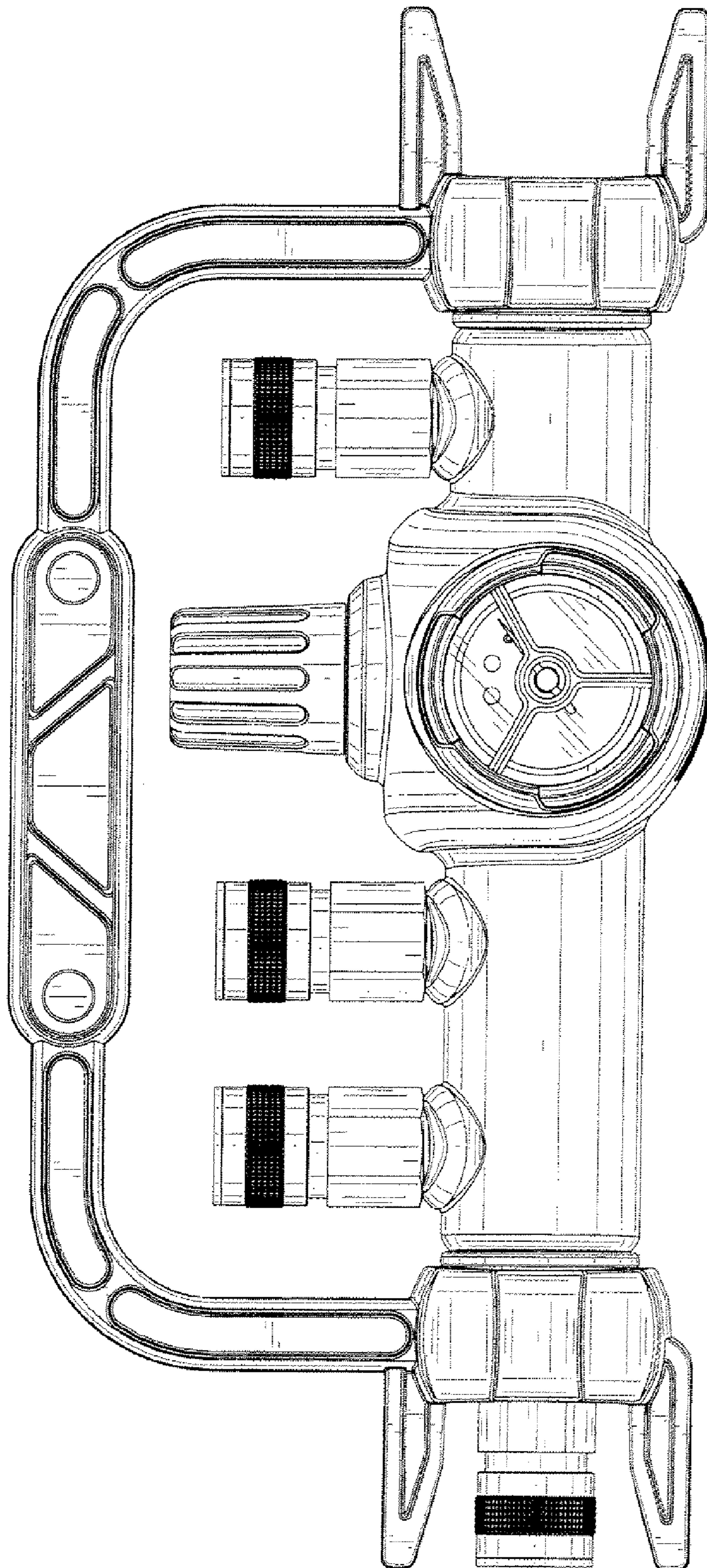


FIG. 6



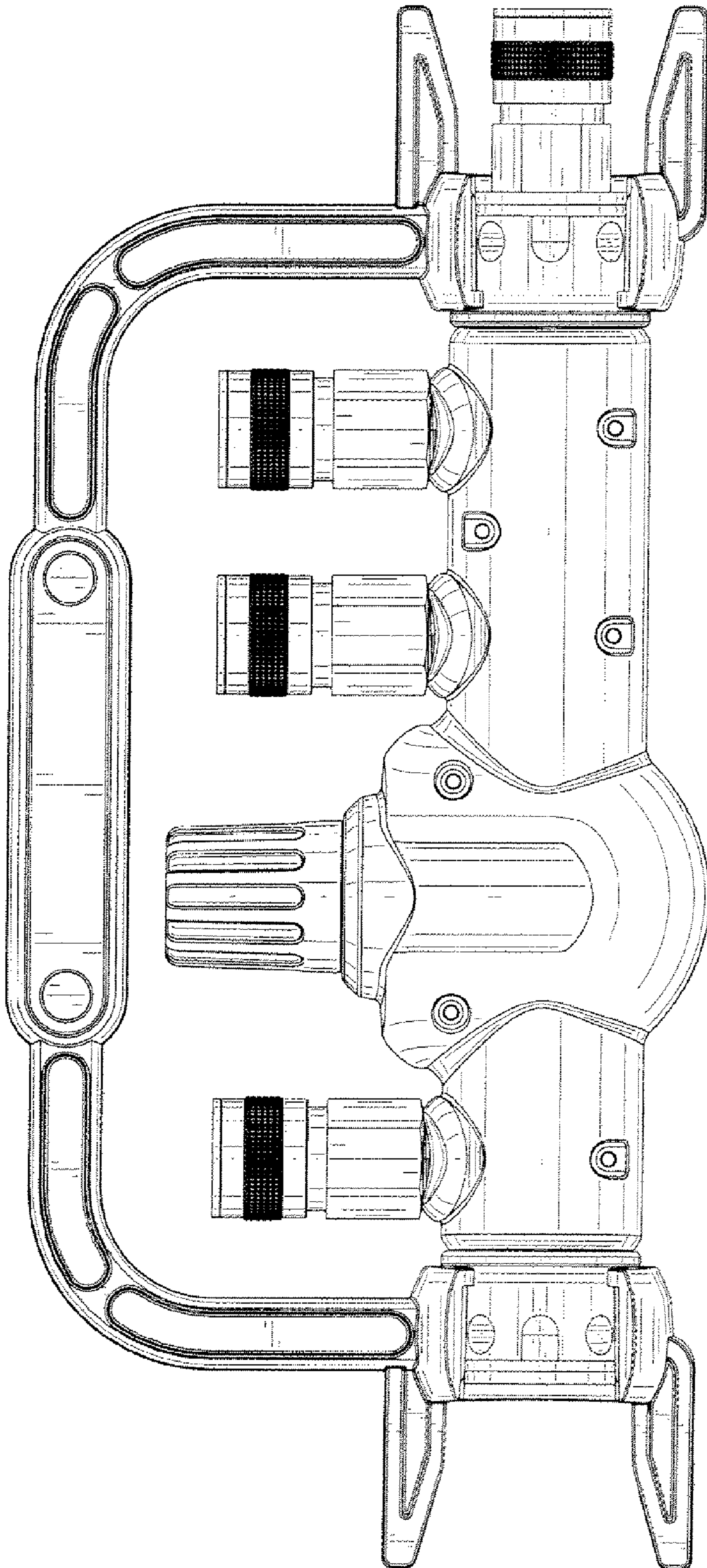


FIG. 7