



US00D602030S

(12) **United States Design Patent**
Vu et al.

(10) **Patent No.:** **US D602,030 S**
(45) **Date of Patent:** **** Oct. 13, 2009**

(54) **TRANSITIONAL IMAGE FOR A PORTION OF A DISPLAY SCREEN**

(75) Inventors: **Duy Minh Vu**, Paris (FR); **Guénolé Gicquel**, Asnières-sur-Seine (FR); **Juba Hadjali**, Aulnay-Sous-Bois (FR)

(73) Assignee: **Dassault Systemes**, Suresnes, Cedex (FR)

(**) Term: **14 Years**

(21) Appl. No.: **29/327,425**

(22) Filed: **Nov. 5, 2008**

(51) **LOC (9) Cl.** **32-00**

(52) **U.S. Cl.** **D14/485**

(58) **Field of Classification Search** D14/485-495;
705/28; 715/700, 703, 709, 712, 716, 719,
715/720, 721, 727, 728, 752, 753, 757, 768,
715/771, 772, 777, 782, 808, 809, 810, 812,
715/819, 820, 821, 825, 833, 834, 835, 836,
715/837, 838, 839, 840, 841, 842, 843, 846,
715/848, 849, 850, 851, 852, 856, 861, 864,
715/961, 962, 963, 970, 977

See application file for complete search history.

(56) **References Cited**

U.S. PATENT DOCUMENTS

5,566,294 A * 10/1996 Kojima et al. 715/866
5,798,761 A * 8/1998 Isaacs 345/419
D432,100 S * 10/2000 Zink et al. D14/490
6,184,876 B1 * 2/2001 Miller 715/235

6,762,778 B1 * 7/2004 Golibrodski et al. 715/849
6,981,229 B1 * 12/2005 Balakrishnan et al. 715/863
D579,458 S * 10/2008 Nash et al. D14/486
2002/0075335 A1 * 6/2002 Rekimoto 345/864
2002/0180809 A1 * 12/2002 Light et al. 345/852
2003/0025719 A1 * 2/2003 Palmer et al. 345/700
2003/0187532 A1 * 10/2003 Charles et al. 700/104
2003/0234820 A1 * 12/2003 Jeon 345/810
2005/0015732 A1 * 1/2005 Vedula et al. 715/805

* cited by examiner

Primary Examiner—Jennifer Rivard

Assistant Examiner—Angela J Lee

(74) *Attorney, Agent, or Firm*—Hamilton, Brook, Smith & Reynolds, P.C.

(57) **CLAIM**

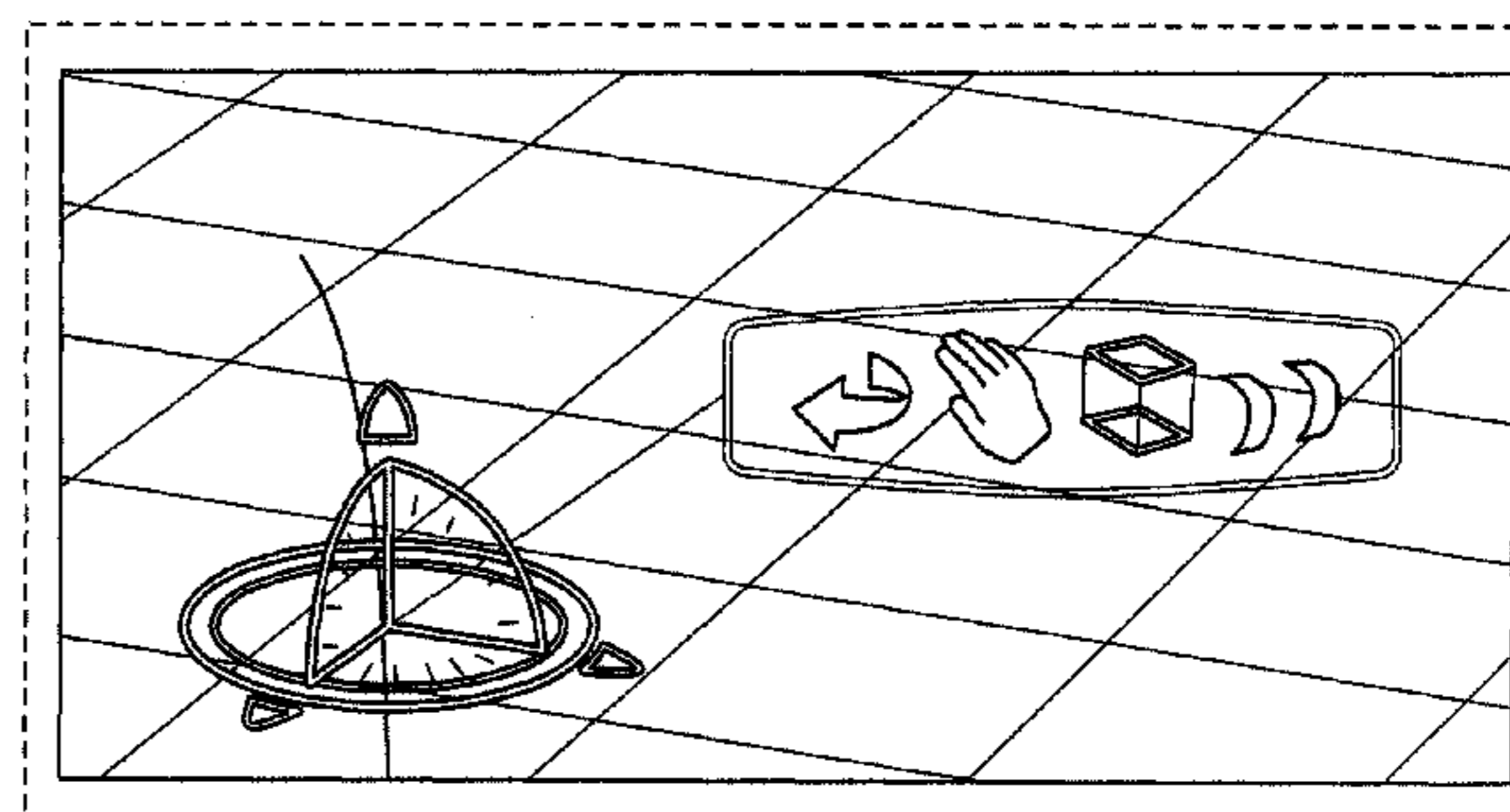
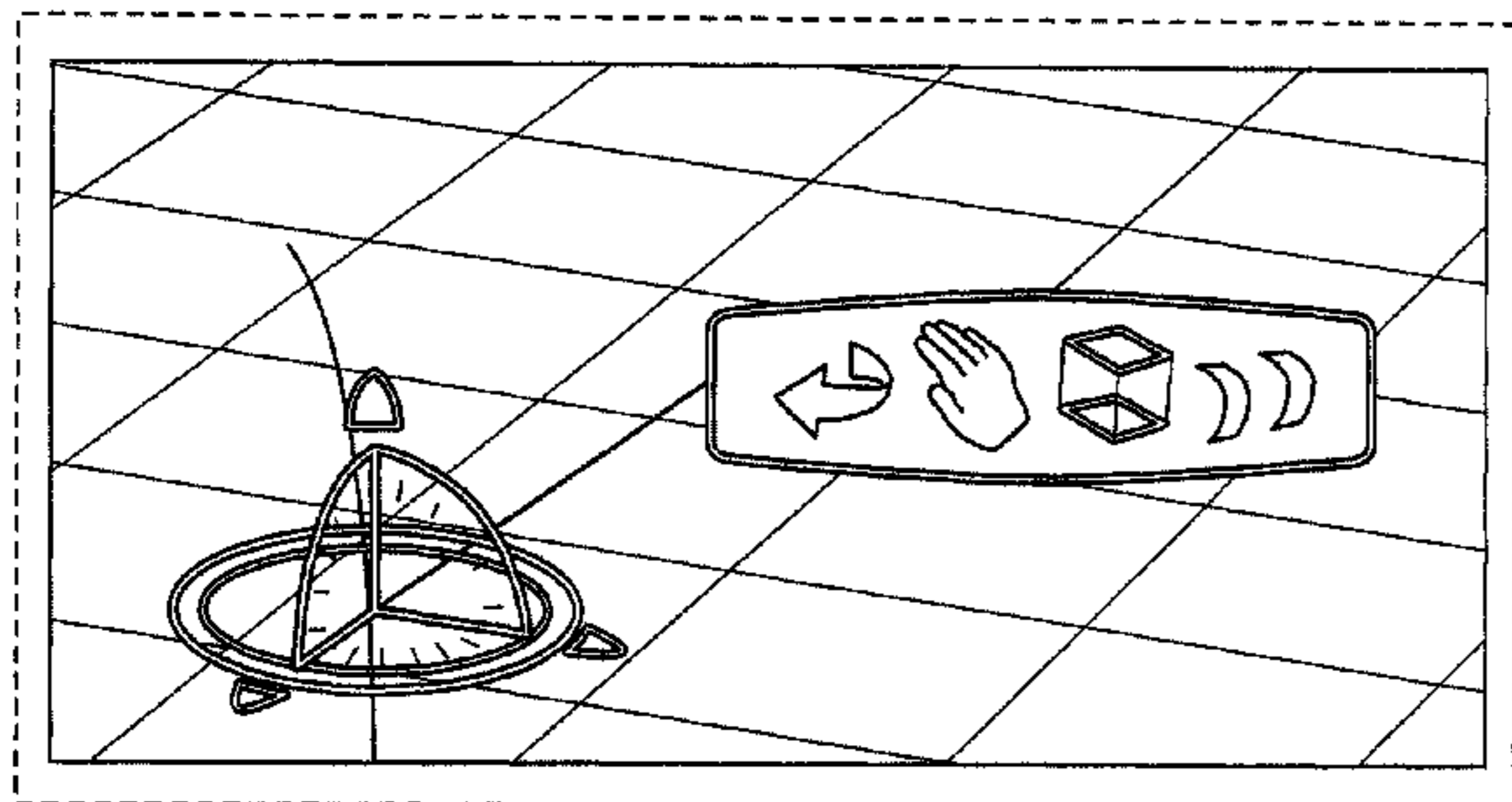
The ornamental design for a transitional image for a portion of a display screen, as shown and described.

DESCRIPTION

FIG. 1 is a front view of the first image of a transitional image for a portion of a display screen showing our new design; and, FIG. 2 is a front view of the second image thereof.

The appearance of the image transitions sequentially between the images shown in FIGS. 1-2. The process or period in which one image transitions to another forms no part of the claimed design. The broken line drawing of the display screen is for illustrative purposes only and forms no part of the claimed design.

1 Claim, 1 Drawing Sheet



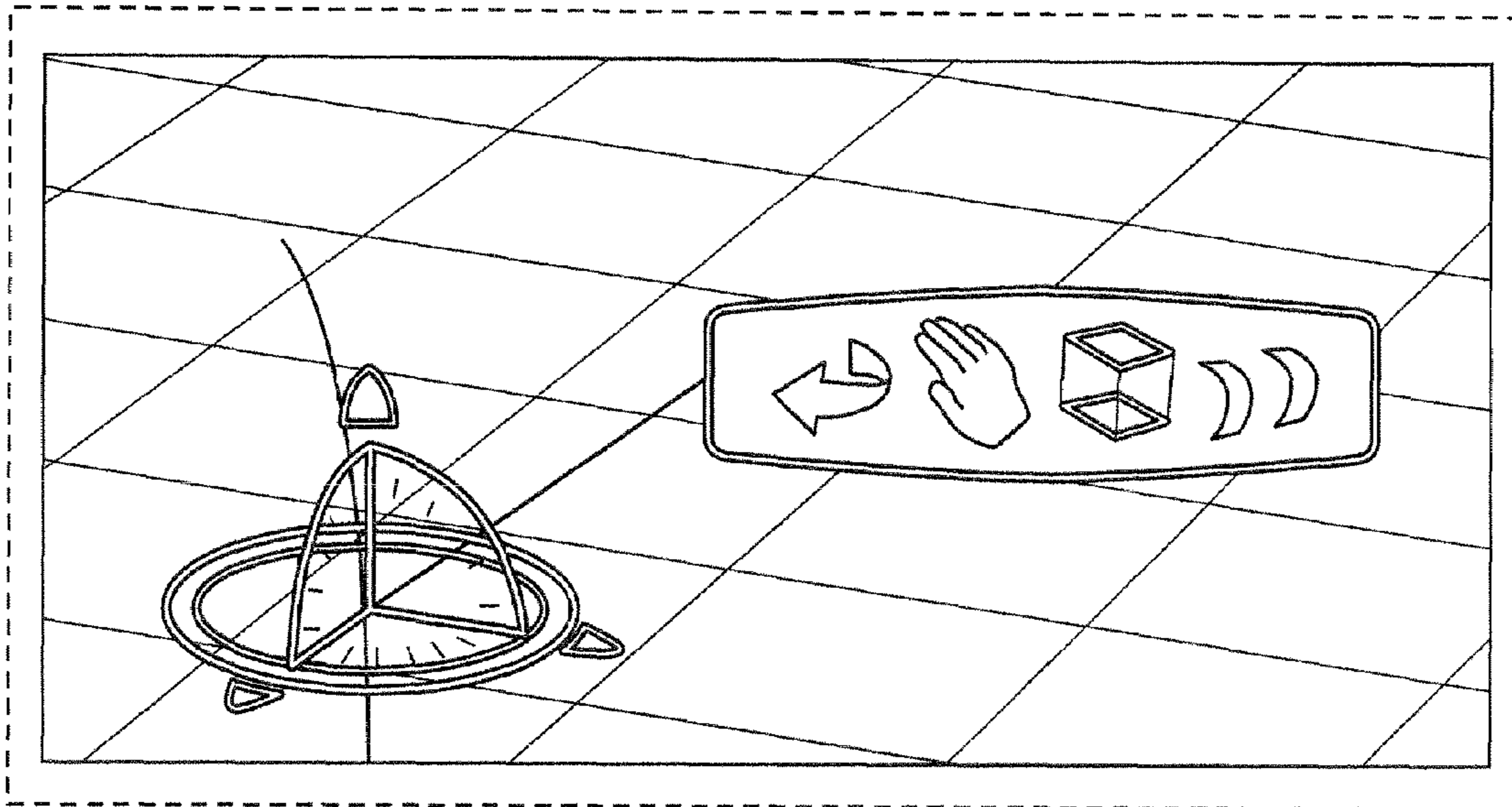


FIG. 1

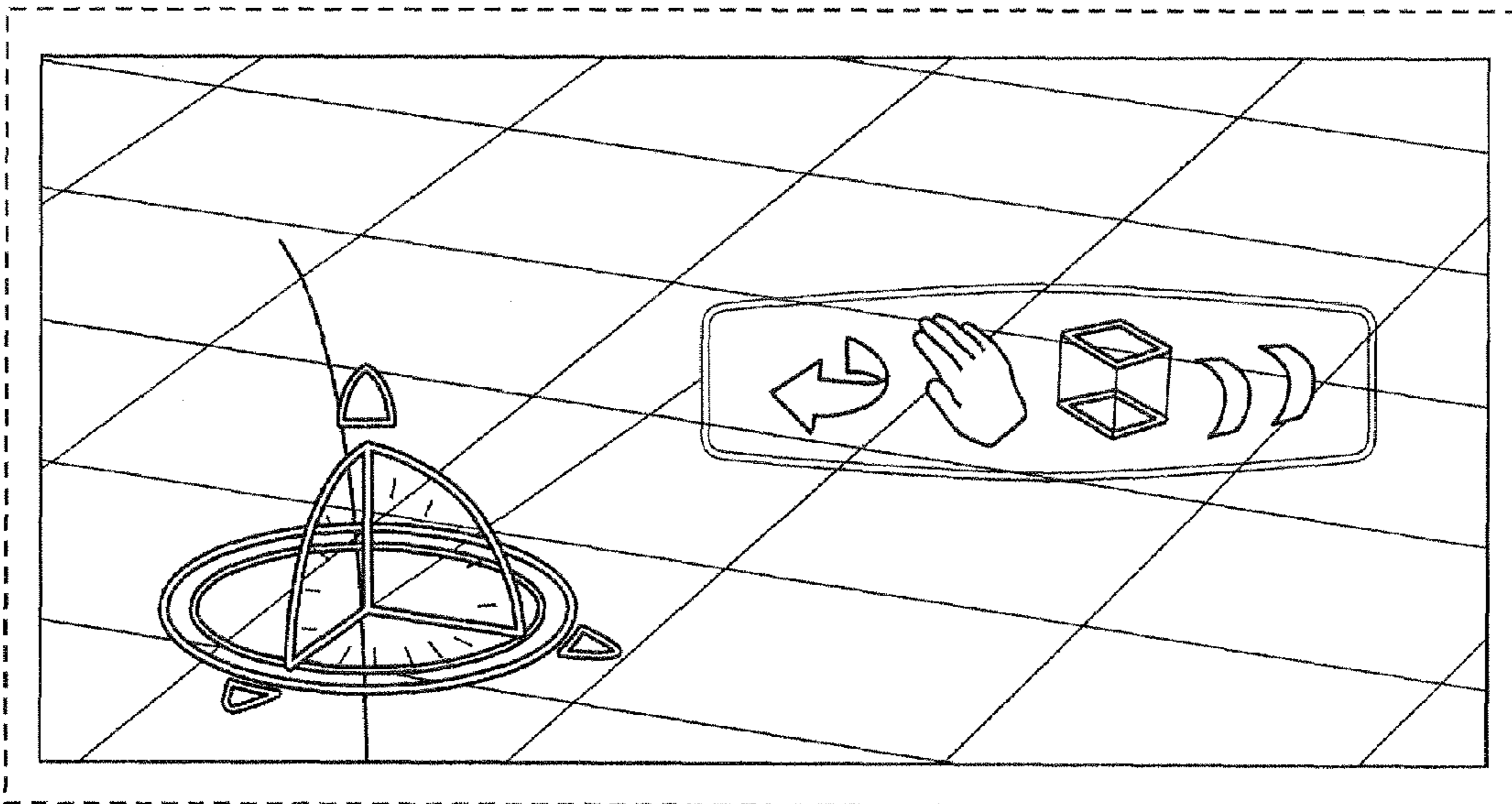


FIG. 2