



US00D602027S

(12) **United States Design Patent**  
**Queric**

(10) **Patent No.:** **US D602,027 S**

(45) **Date of Patent:** **\*\* Oct. 13, 2009**

(54) **PORTION OF A SCREEN DISPLAY WITH AN ANIMATED IMAGE**

5,949,408 A \* 9/1999 Kang et al. .... 345/169

(Continued)

(75) Inventor: **Mikael Queric**, Paris (FR)

**OTHER PUBLICATIONS**

(73) Assignee: **Dassault Systemes**, Suresnes, Cedex (FR)

Roiron, Cyril "Création d'Ileis", Aug. 7, 2008 <http://tecfa.unige.ch/~roiron/staf13/fonctions.htm>.

(\*\*) Term: **14 Years**

*Primary Examiner*—Susan M Lee

(74) *Attorney, Agent, or Firm*—Hamilton, Brook, Smith & Reynolds, P.C.

(21) Appl. No.: **29/310,293**

(57) **CLAIM**

(22) Filed: **Aug. 7, 2008**

The ornamental design for a portion of a screen display with an animated image, as shown and described.

(51) **LOC (9) Cl.** ..... **32-00**

(52) **U.S. Cl.** ..... **D14/485; D14/489**

(58) **Field of Classification Search** ..... D14/485-495; D18/24-33; D19/6, 52; D20/11; D21/324-333; 715/700-867, 973-977; 345/757, 782, 848, 345/852, 850, 809, 837, 798, 752, 163, 156, 345/537, 474, 836, 419, 649, 656, 659, 426, 345/427, 582, 428, 440, 660, 634, 902, 418, 345/629, 700, 744, 747, 473; 705/10, 5; 709/223

**DESCRIPTION**

See application file for complete search history.

FIG. 1 is a front view of a portion of a display screen with an animated image showing my new design, with animated image having a first appearance state.

FIG. 2 is a front view thereof with the animated image having a second appearance state.

FIG. 3 is a front view thereof with the animated image having a third appearance state.

FIG. 4 is a front view thereof with the animated image having a fourth appearance state; and,

FIG. 5 is a front view thereof with the animated image having a fifth appearance state.

The appearance of the animated image is shown by the representative consecutive appearance states in FIGS. 1-5, and the animated image sequentially transitions between the appearance states shown in FIG. 1 and FIG. 5. The broken line drawing of the display screen and various graphical representations in all views is for illustrative purposes only and forms no part of the claimed design.

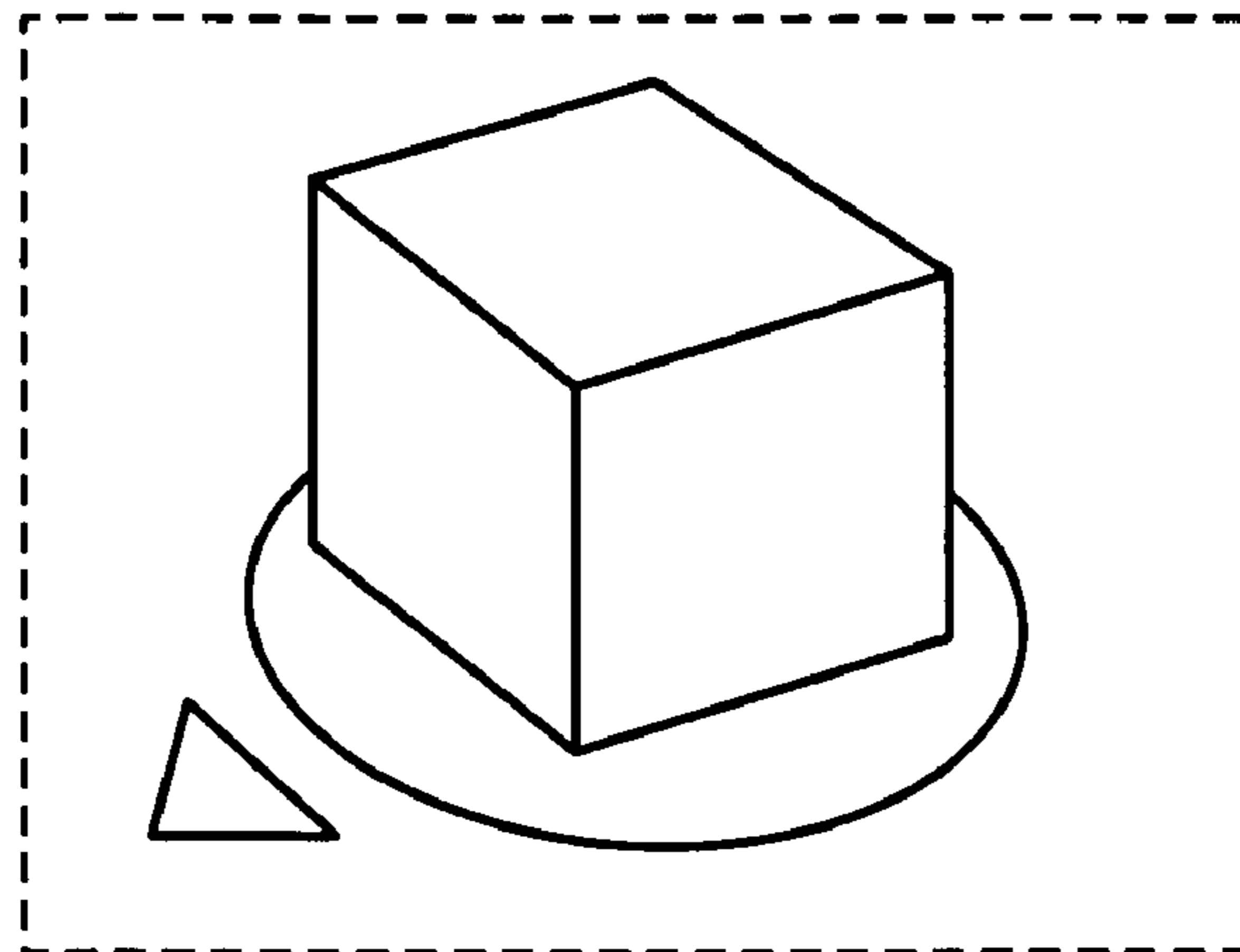
The subject matter in this patent includes a process or period in which an image changes into another image. This process or period forms no part of the claimed design.

(56) **References Cited**

**U.S. PATENT DOCUMENTS**

4,899,136	A *	2/1990	Beard et al. ....	345/156
5,202,828	A *	4/1993	Vertelney et al. ....	715/236
5,347,295	A *	9/1994	Agulnick et al. ....	345/156
5,559,947	A *	9/1996	Wugofski ....	715/837
5,644,737	A *	7/1997	Tuniman et al. ....	715/810
5,689,286	A *	11/1997	Wugofski ....	715/835
D388,424	S *	12/1997	DeMuro et al. ....	D14/488
D388,777	S *	1/1998	Newton et al. ....	D14/487
D389,471	S *	1/1998	Newton et al. ....	D14/487
5,727,174	A *	3/1998	Aparicio et al. ....	715/837
5,748,927	A *	5/1998	Stein et al. ....	715/711
5,815,152	A *	9/1998	Collier et al. ....	715/839
5,877,765	A *	3/1999	Dickman et al. ....	715/738
5,920,303	A *	7/1999	Baker et al. ....	345/172

**1 Claim, 2 Drawing Sheets**



# US D602,027 S

Page 2

## U.S. PATENT DOCUMENTS

D427,979	S *	7/2000	Li et al. ....	D14/487	D533,183	S *	12/2006	Gusmorino et al. ....	D14/492
D438,872	S *	3/2001	Utsuki et al. ....	D14/486	D549,712	S *	8/2007	Kim et al. ....	D14/485
D445,428	S *	7/2001	Pattenden .....	D14/488	D554,656	S *	11/2007	Seo et al. ....	D14/486
6,266,058	B1 *	7/2001	Meyer .....	715/733	D575,302	S *	8/2008	Millar et al. ....	D14/488
D453,767	S *	2/2002	Istvan et al. ....	D14/486	D576,176	S *	9/2008	Jong et al. ....	D14/487
D454,356	S *	3/2002	Hoxie et al. ....	D14/488	D579,023	S *	10/2008	Komatsu et al. ....	D14/487
6,411,337	B2 *	6/2002	Cove et al. ....	348/563	2002/0097894	A1 *	7/2002	Staas et al. ....	382/113
6,453,281	B1 *	9/2002	Walters et al. ....	704/200	2002/0109710	A1 *	8/2002	Holtz et al. ....	345/723
D464,660	S *	10/2002	Weng et al. ....	D14/488	2002/0191029	A1 *	12/2002	Gillespie et al. ....	345/810
6,484,189	B1 *	11/2002	Gerlach et al. ....	715/201	2003/0058284	A1 *	3/2003	Toh et al. ....	345/810
D471,226	S *	3/2003	Gray .....	D18/27	2003/0103085	A1 *	6/2003	Anuszewski et al. ....	345/810
D472,244	S *	3/2003	Wasko .....	D14/486	2003/0201971	A1 *	10/2003	Iesaka .....	345/156
6,559,867	B1 *	5/2003	Kotick et al. ....	715/771	2004/0221239	A1 *	11/2004	Hachigian et al. ....	715/762
D475,719	S *	6/2003	Horie .....	D14/488	2005/0177800	A1 *	8/2005	Suzuki et al. ....	715/823
D517,087	S *	3/2006	Sands .....	D14/488	2006/0064638	A1 *	3/2006	Bocking .....	715/700
7,137,073	B2 *	11/2006	Kim et al. ....	715/828	2006/0112354	A1 *	5/2006	Park et al. ....	715/835
					2008/0016446	A1 *	1/2008	Aonuma et al. ....	715/733

\* cited by examiner

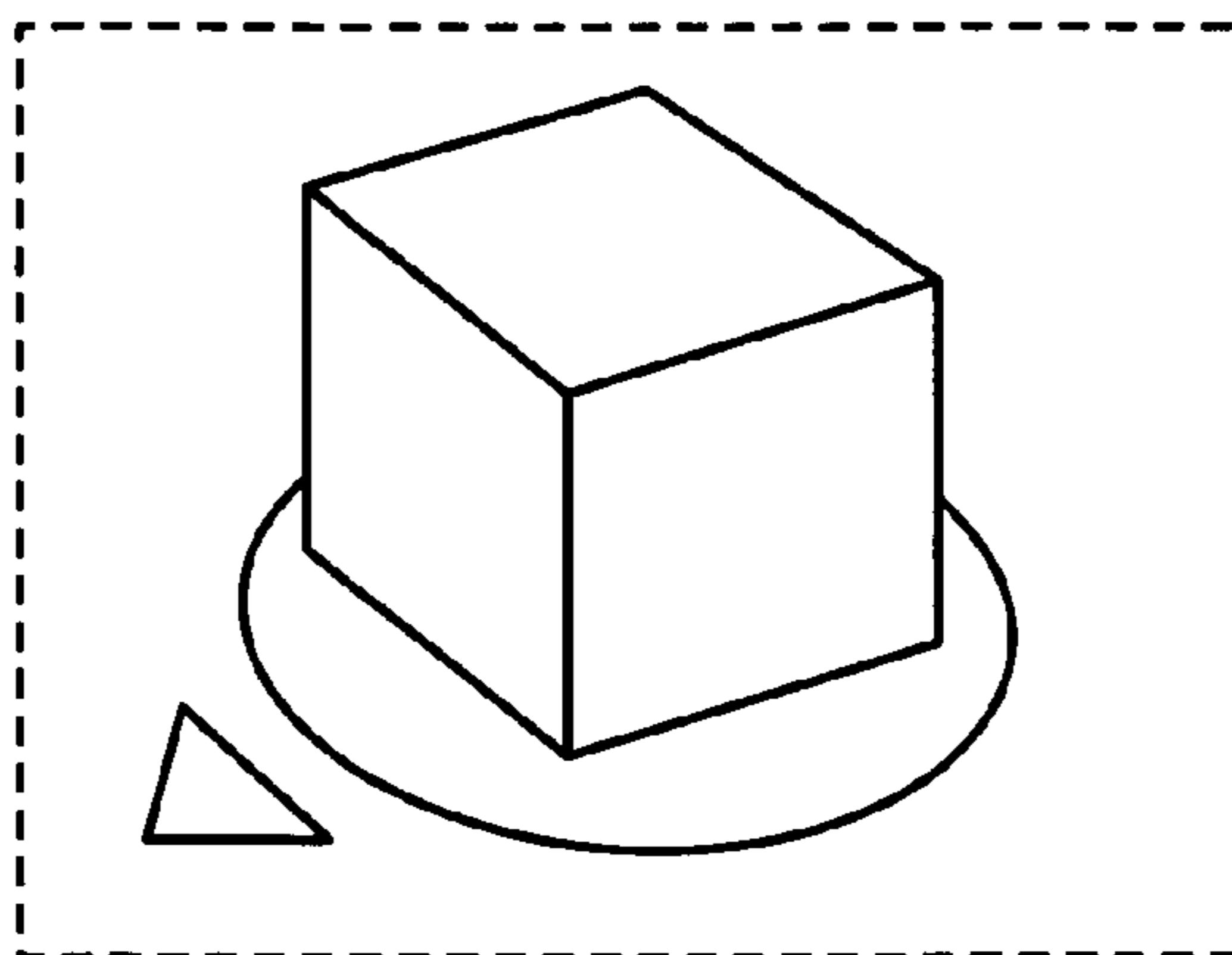


FIG. 1

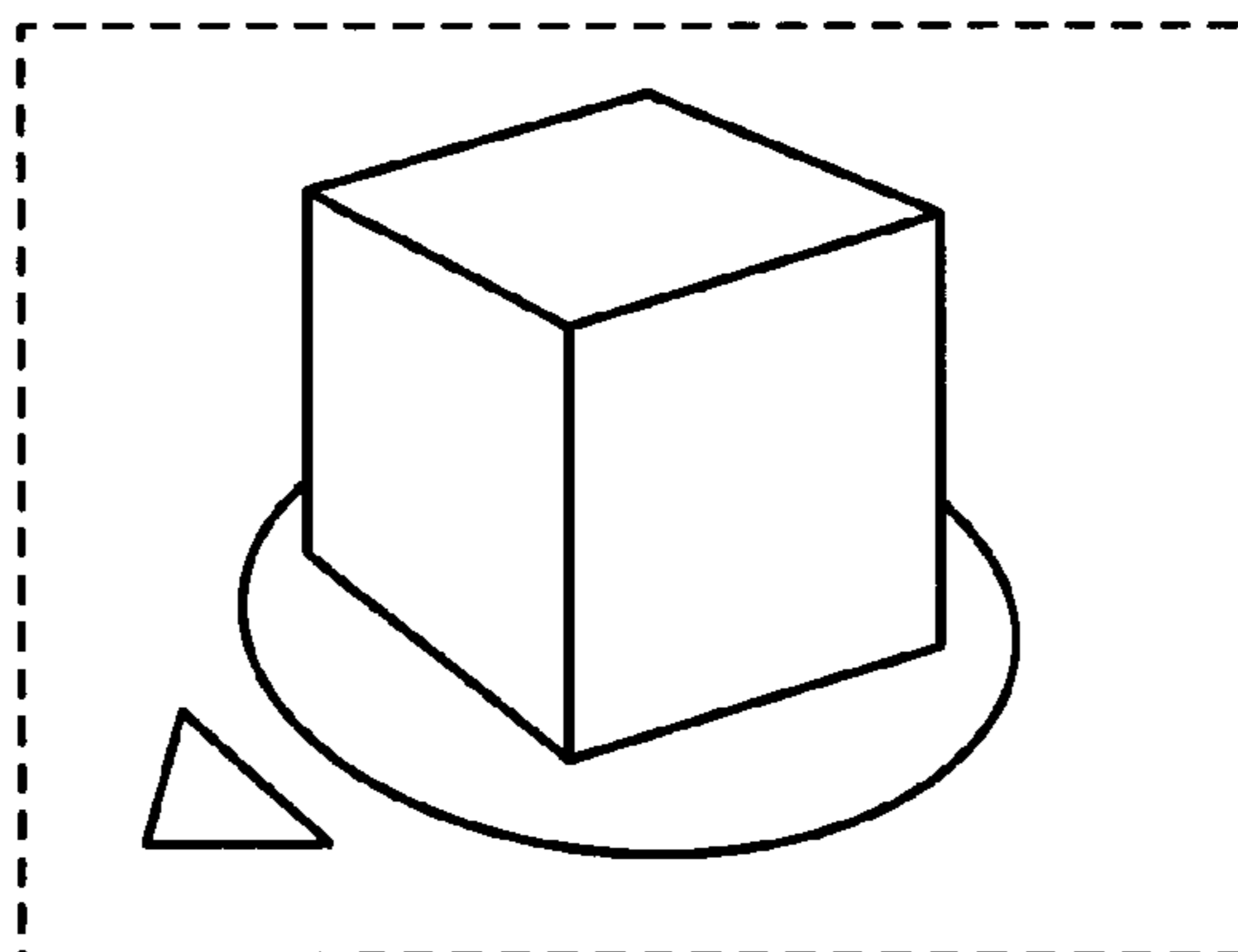


FIG. 2

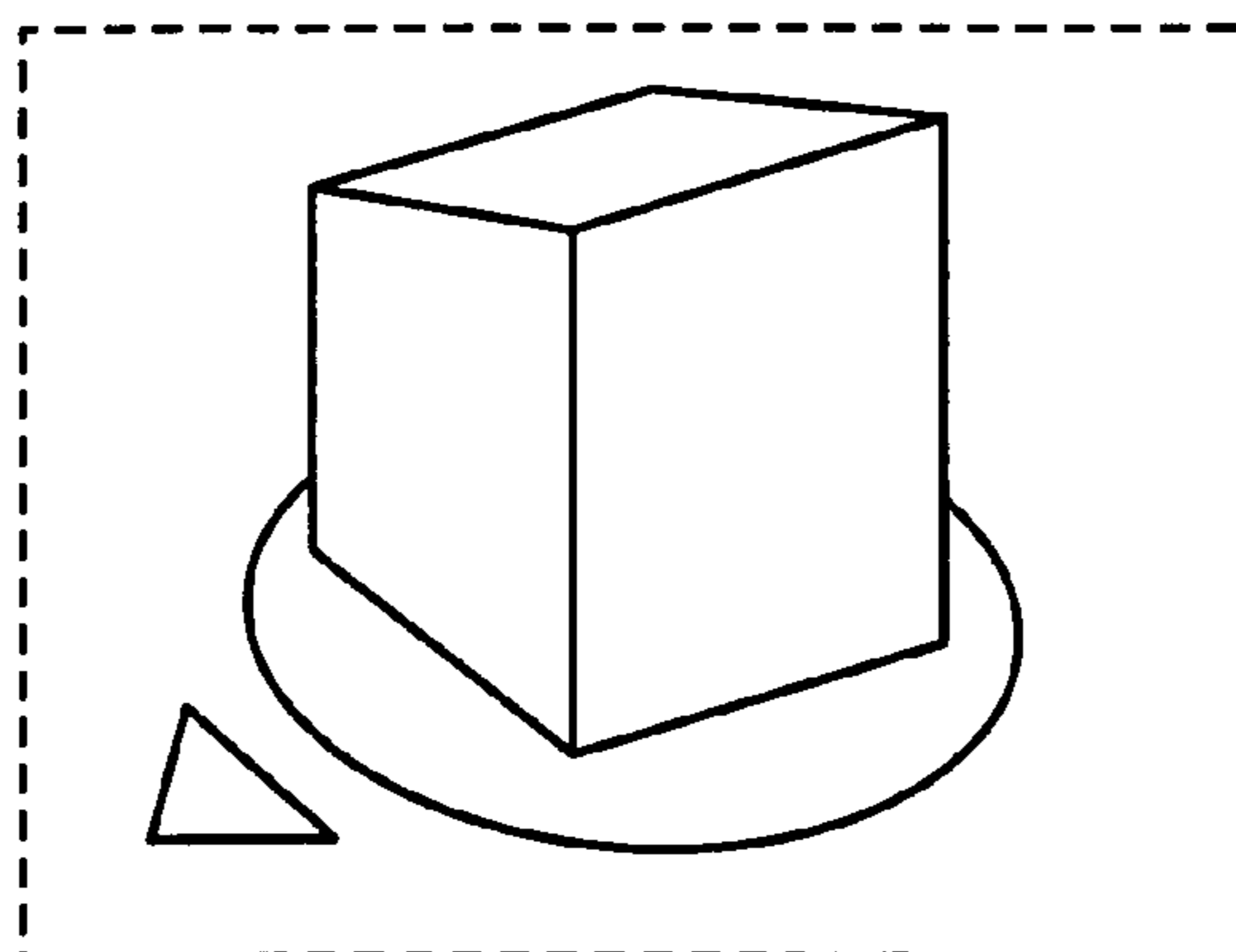


FIG. 3

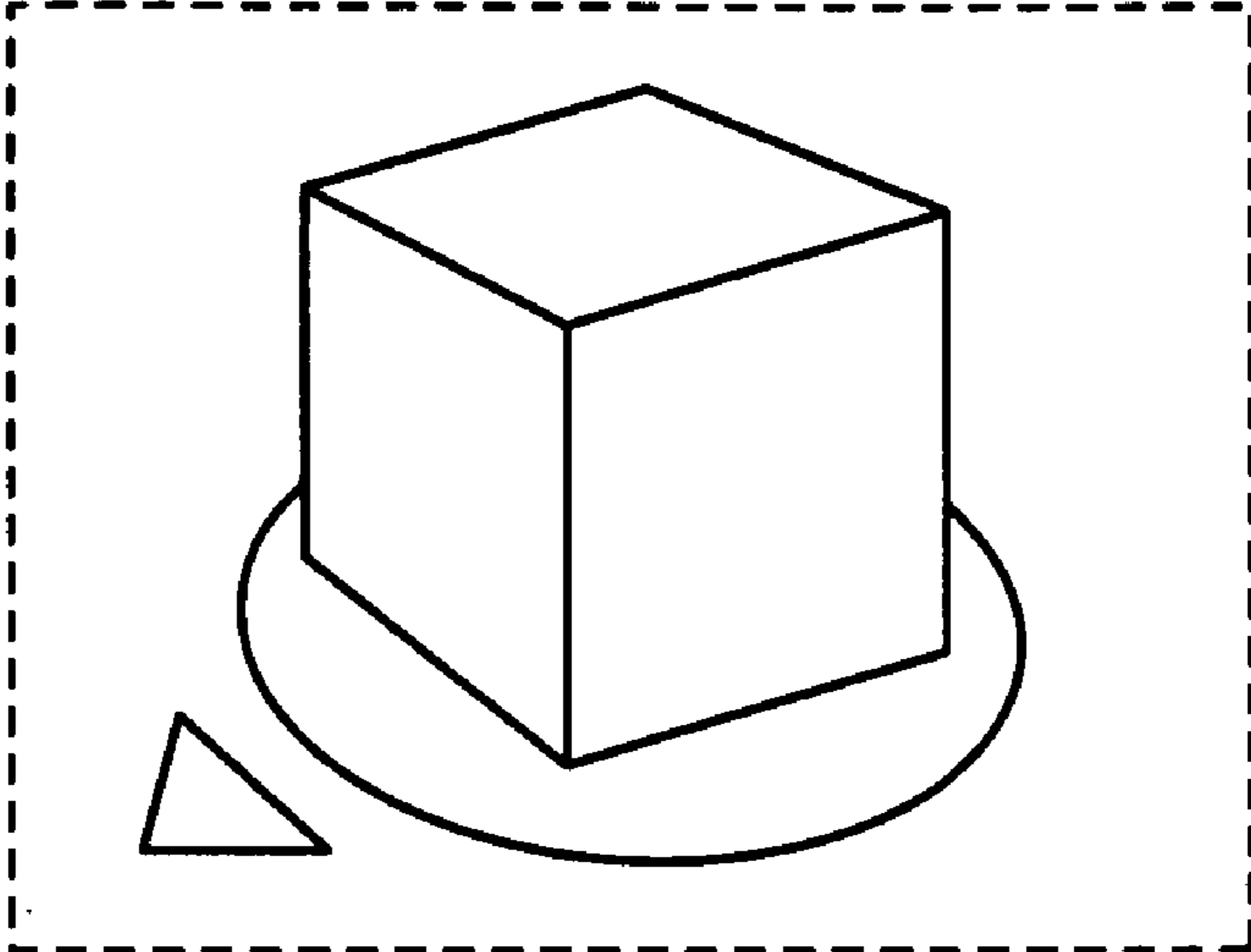


FIG. 4

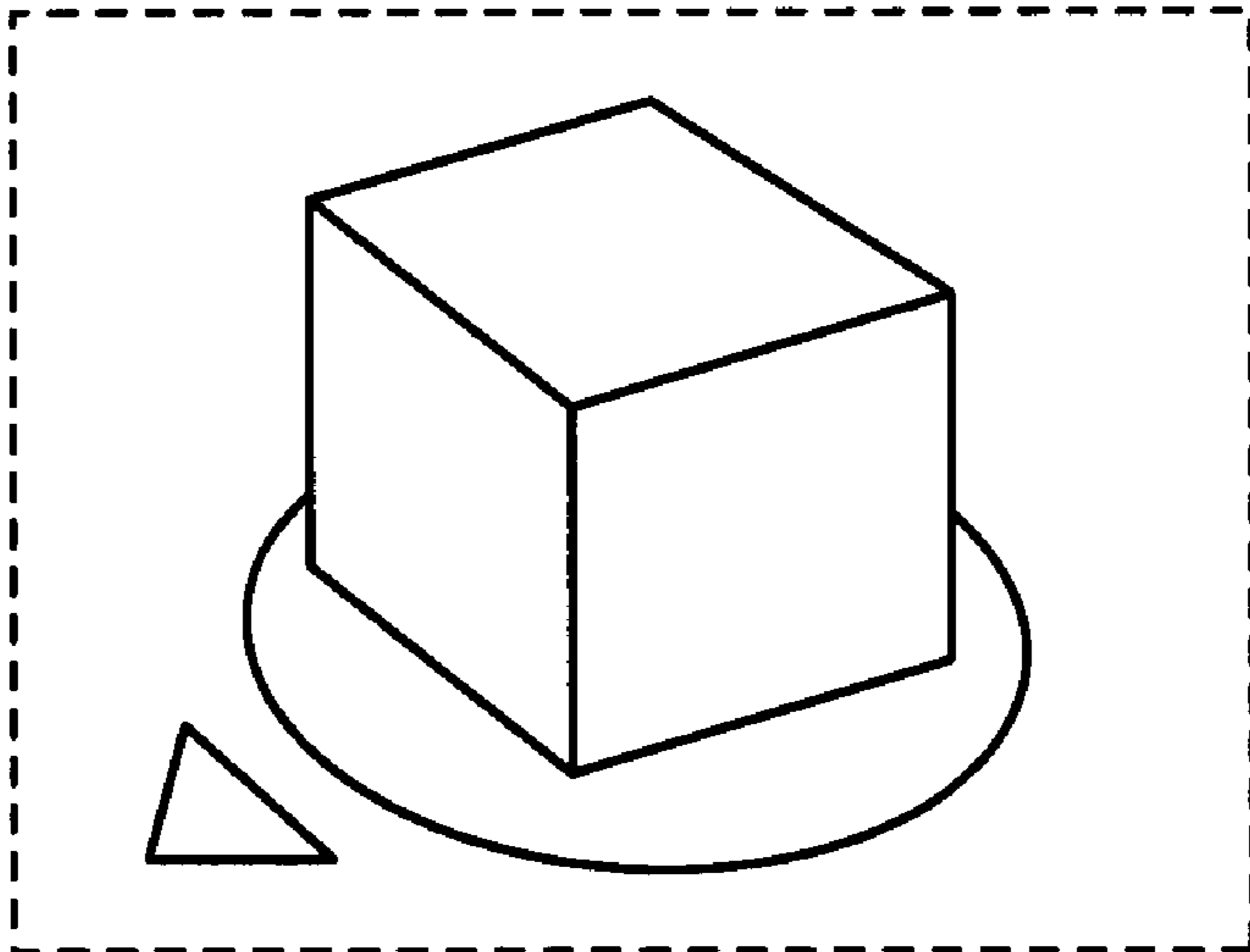


FIG. 5