



US00D602025S

(12) **United States Design Patent**  
**Richter**

(10) **Patent No.:** **US D602,025 S**  
(45) **Date of Patent:** **\*\* Oct. 13, 2009**

(54) **APPARATUS SUPPORT DEVICE HOLDER**

(76) Inventor: **Harald Richter**, Hohenstrasse 32, 76331 Engelbrand (DE)

(\*\*) Term: **14 Years**

(21) Appl. No.: **29/313,535**

(22) Filed: **Jan. 20, 2009**

(51) **LOC (9) Cl.** ..... **08-07**

(52) **U.S. Cl.** ..... **D14/447; D14/253**

(58) **Field of Classification Search** ..... D14/447, D14/448, 451, 452, 457, 459, 460, 461, 239, D14/251, 253, 224.1, 125, 126, 432, 434, D14/439, 371-382; D8/354, 363, 373, 380; D19/90, 91; D18/4.4, 4.5, 4.6, 12; D6/300, D6/310, 312, 313, 314, 449, 512; D13/139.5, D13/108; D21/333; D10/74; D12/415; 248/917-924, 675, 676, 678, 447, 122.1, 248/176.1, 176.3, 205.5, 205.8, 324; 312/323.3; 379/446, 454, 455; 361/679.02, 679.06, 361/679.07, 679.21, 679.22, 679.24, 679.26, 361/579.3, 679.46, 679.49, 679.55, 679.56, 361/679.58, 679.6, 693, 697, 809, 810, 825, 361/827; D16/242

See application file for complete search history.

(56) **References Cited**

**U.S. PATENT DOCUMENTS**

D400,085 S *	10/1998	Haskin	.....	D8/363
D496,367 S *	9/2004	Pfister	.....	D14/451
6,913,232 B2 *	7/2005	Richter	.....	248/205.8
D521,850 S *	5/2006	Richter et al.	.....	D8/354
D545,825 S *	7/2007	Richter	.....	D14/447
D545,826 S *	7/2007	Richter	.....	D14/447
D553,959 S *	10/2007	Brassard	.....	D8/363
D576,615 S *	9/2008	Richter	.....	D14/253
D576,631 S *	9/2008	Richter	.....	D14/447

D580,847 S *	11/2008	Mo	.....	D12/415
D587,188 S *	2/2009	Mo	.....	D12/415
D590,238 S *	4/2009	Richter	.....	D8/363
2007/0090234 A1 *	4/2007	Liao	.....	248/127

\* cited by examiner

*Primary Examiner*—Jennifer Rivard

*Assistant Examiner*—Angela J Lee

(74) *Attorney, Agent, or Firm*—Klaus J. Bach

(57) **CLAIM**

The ornamental design for an apparatus support device holder, as shown and described.

**DESCRIPTION**

The apparatus support device holder is used for supporting an apparatus support device specifically adapted to cradling a particular apparatus such as a wireless phone, GPS, a PDA device, a telephone or other equipment in a convenient position on a smooth surface as a windshield of a motor vehicle.

FIG. 1 is a perspective left side front view of an apparatus support device holder,

FIG. 2 is a perspective right side front view of the apparatus support device holder shown in FIG. 1,

FIG. 3 is a left side view of the apparatus support device holder shown in FIG. 1,

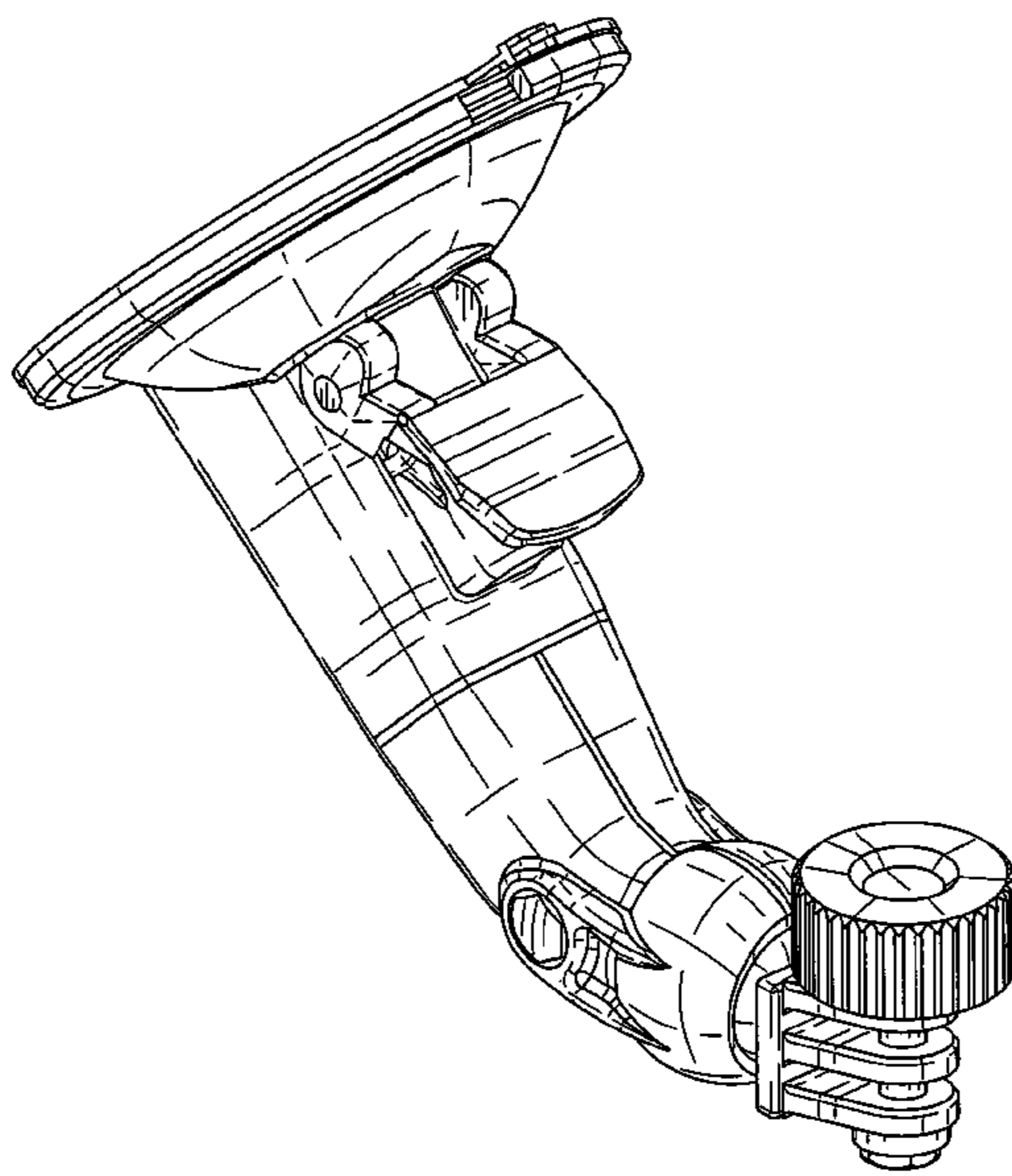
FIG. 4 is a right side view of the apparatus support device holder shown in FIG. 1,

FIG. 5 is an end view of the apparatus support device holder shown in FIG. 1,

FIG. 6 is an another end view of the apparatus support device holder as in FIG. 1, and,

FIG. 7 is a bottom view of the apparatus support device holder as shown in FIG. 4.

**1 Claim, 6 Drawing Sheets**



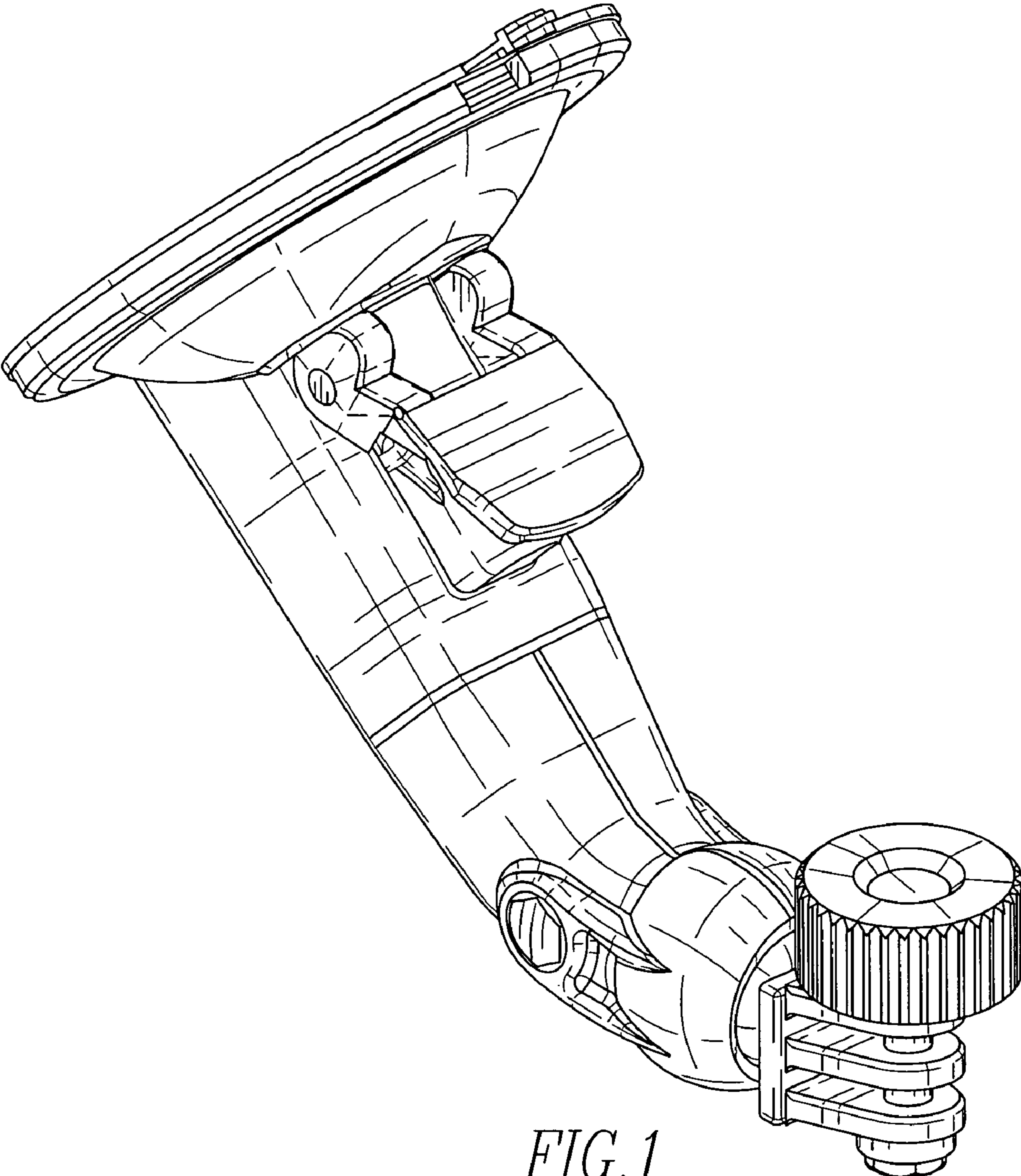


FIG. 1

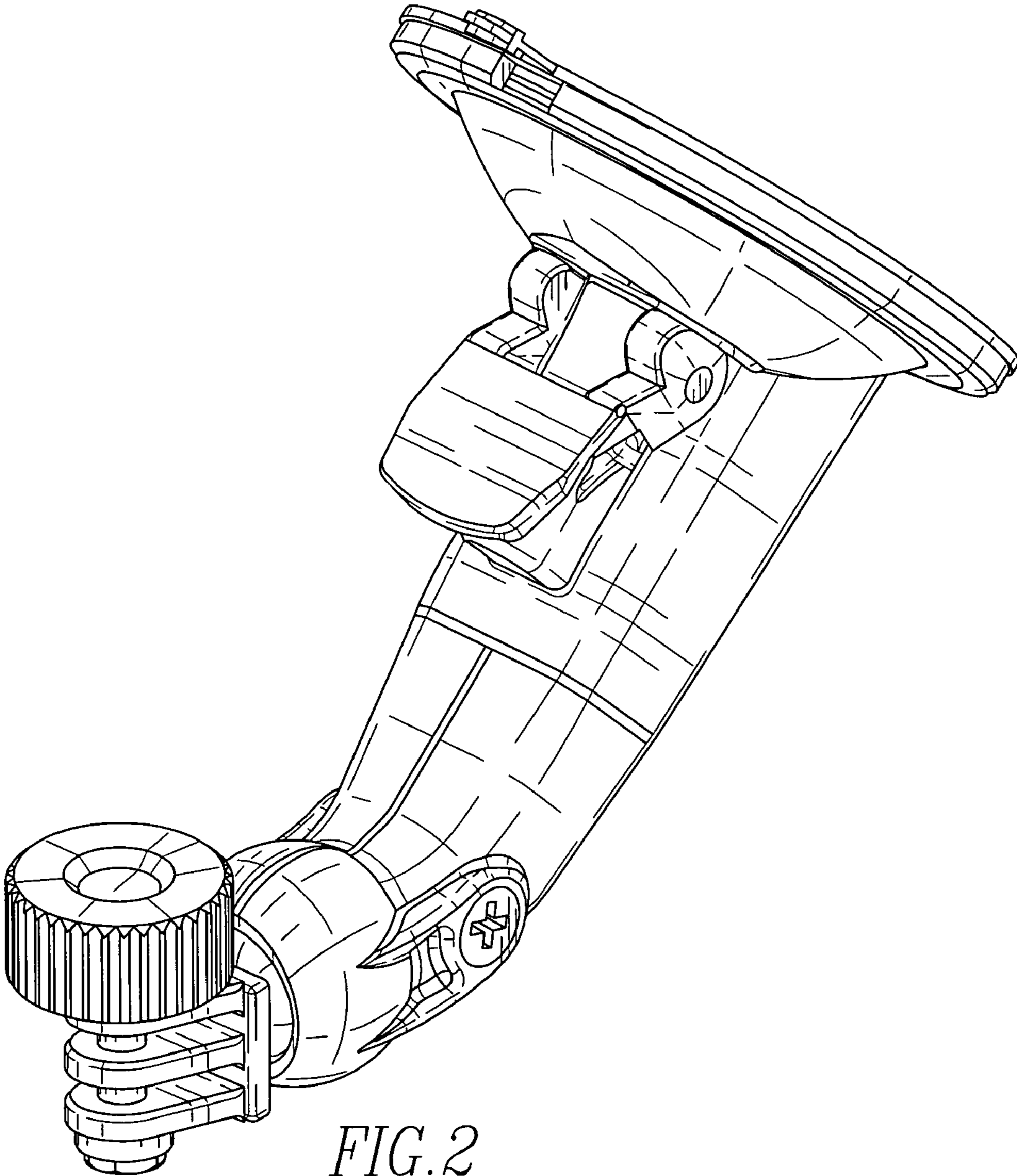


FIG. 2



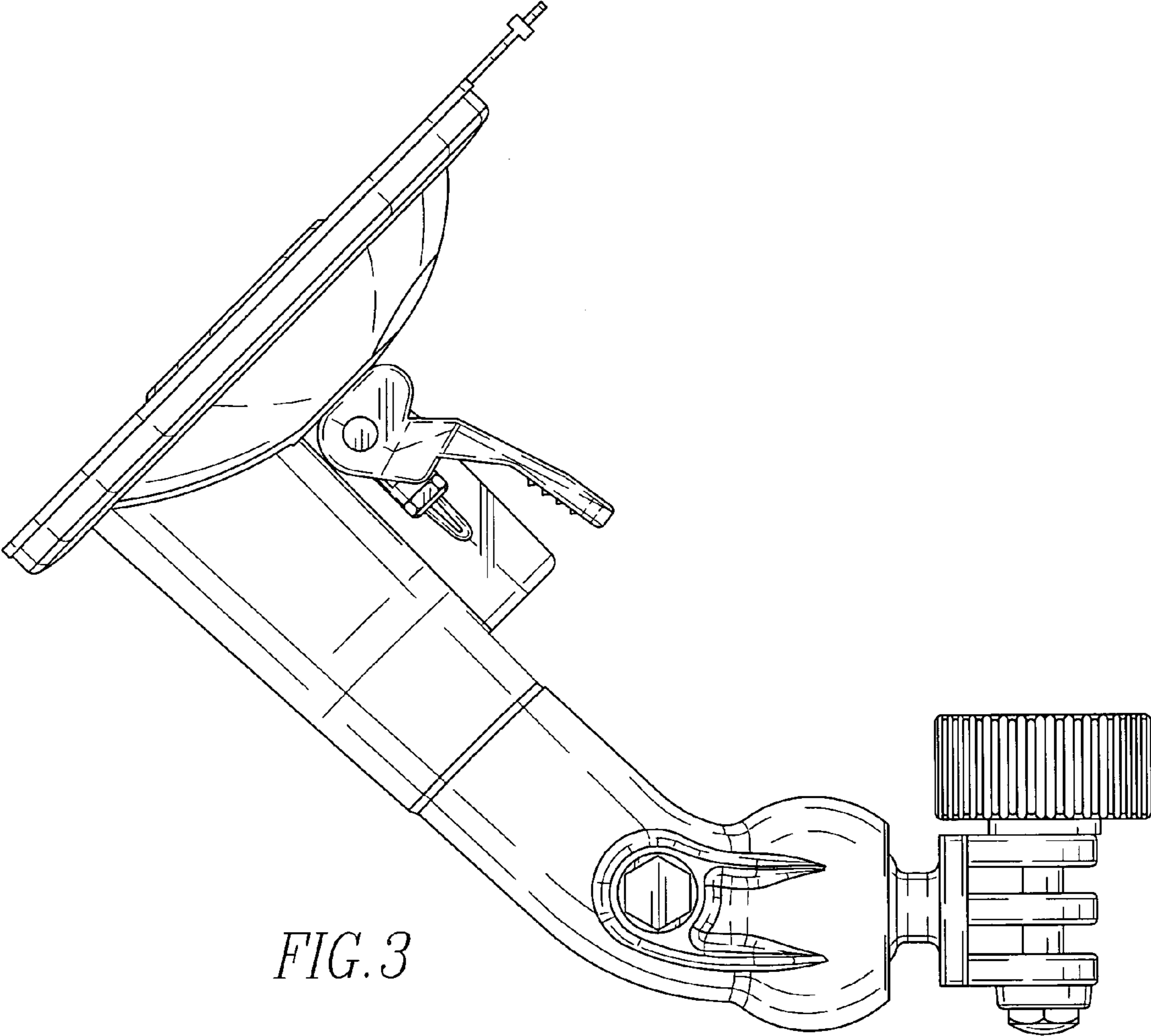


FIG. 3

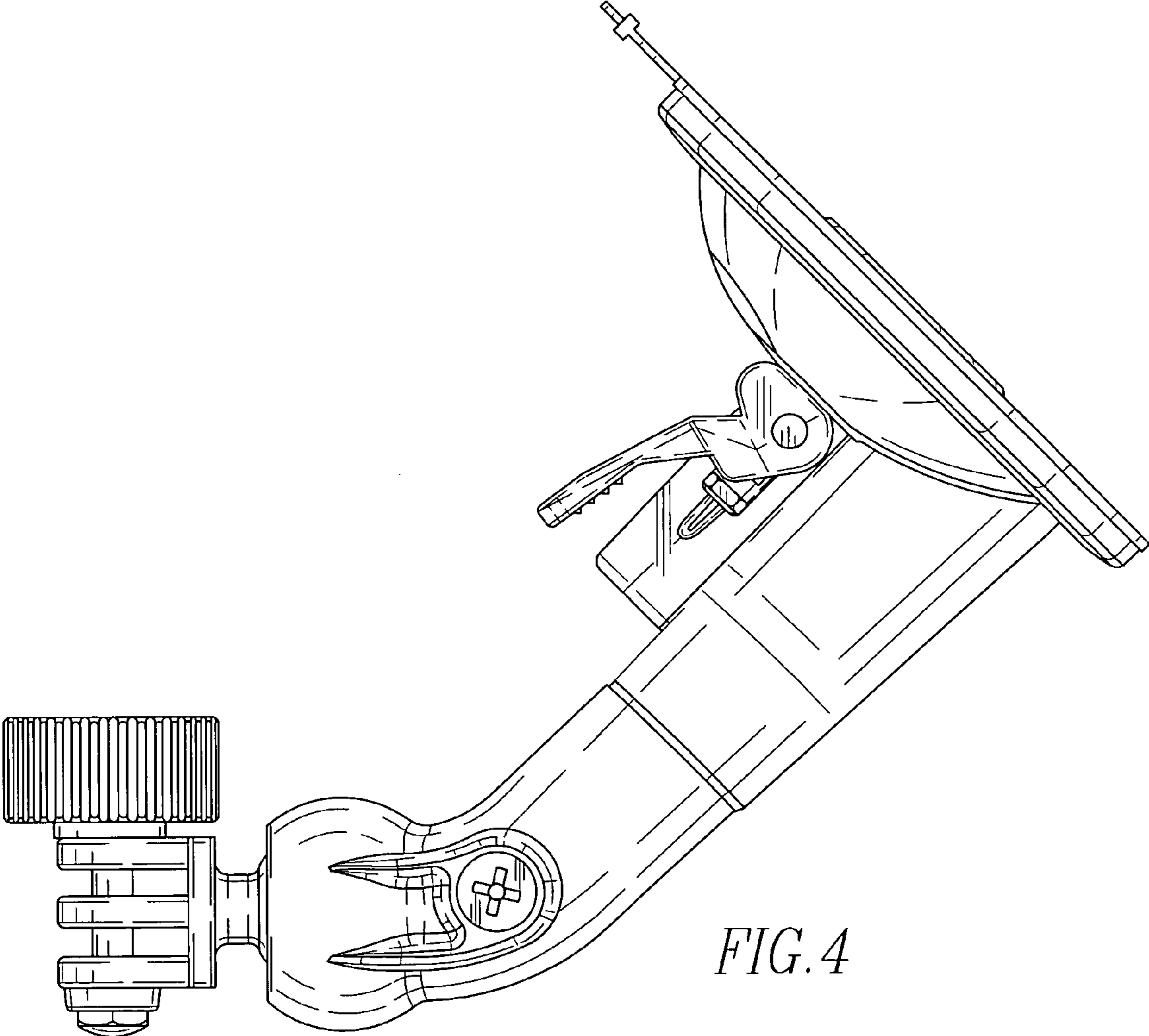


FIG. 4

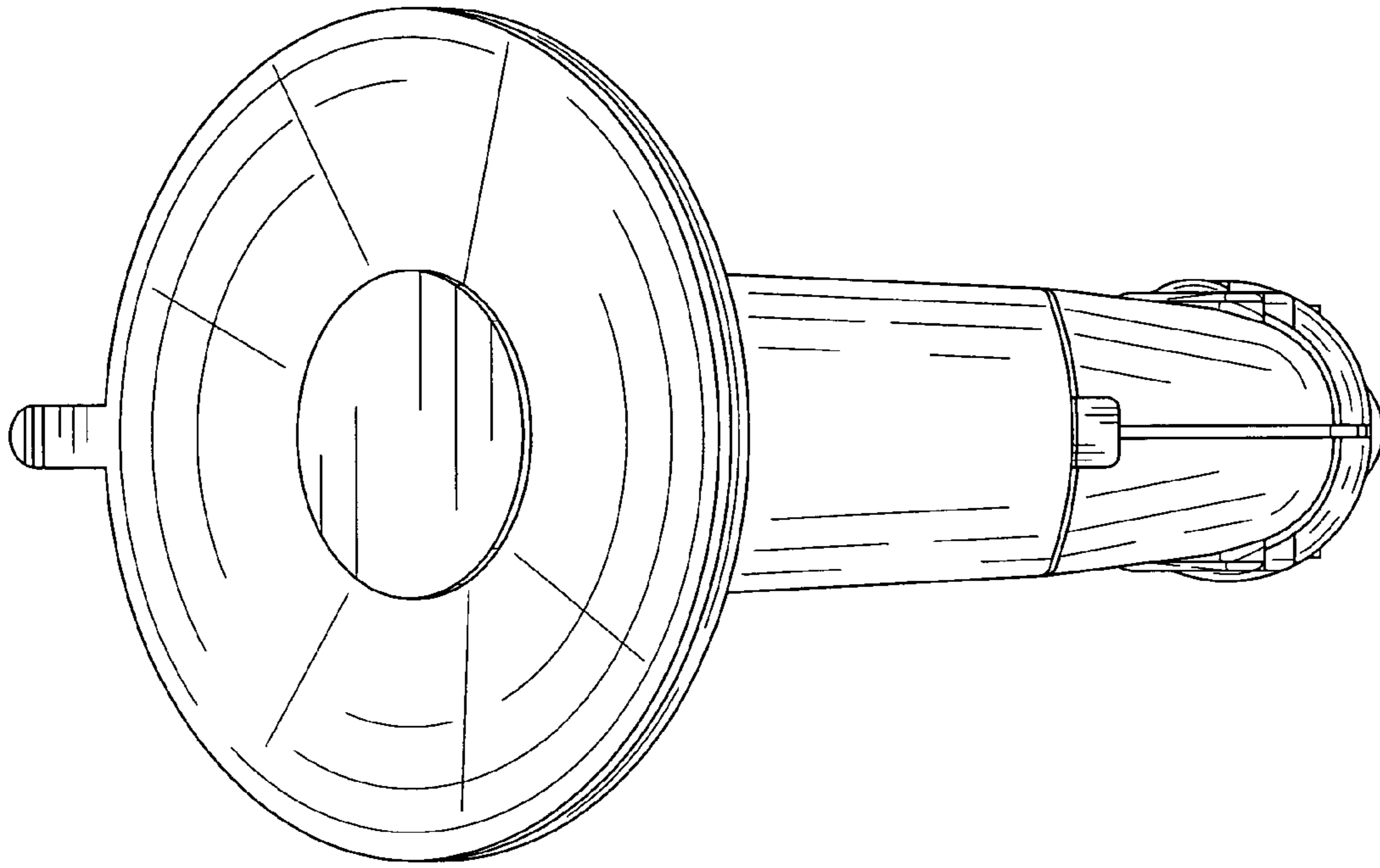


FIG. 6

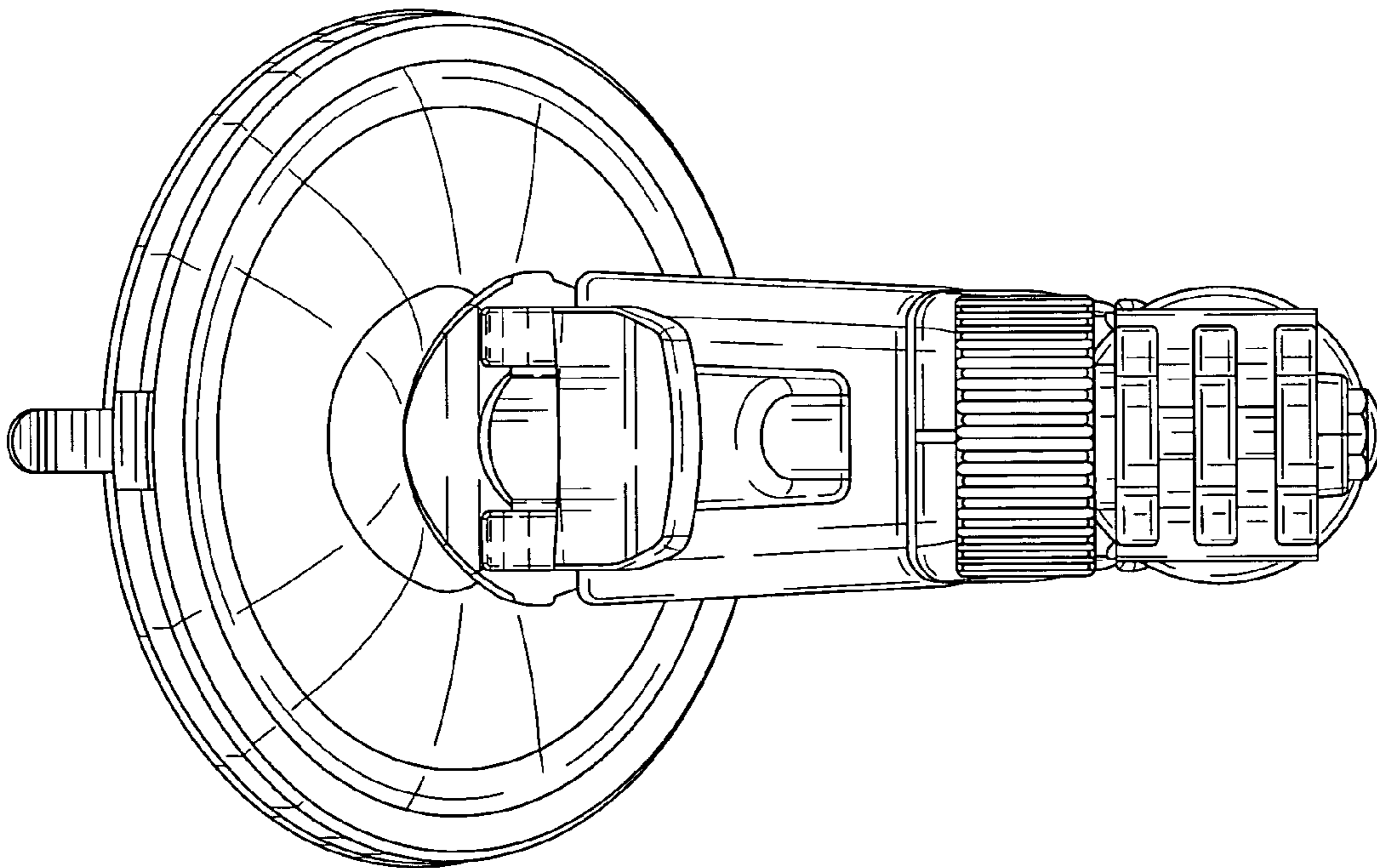


FIG. 5

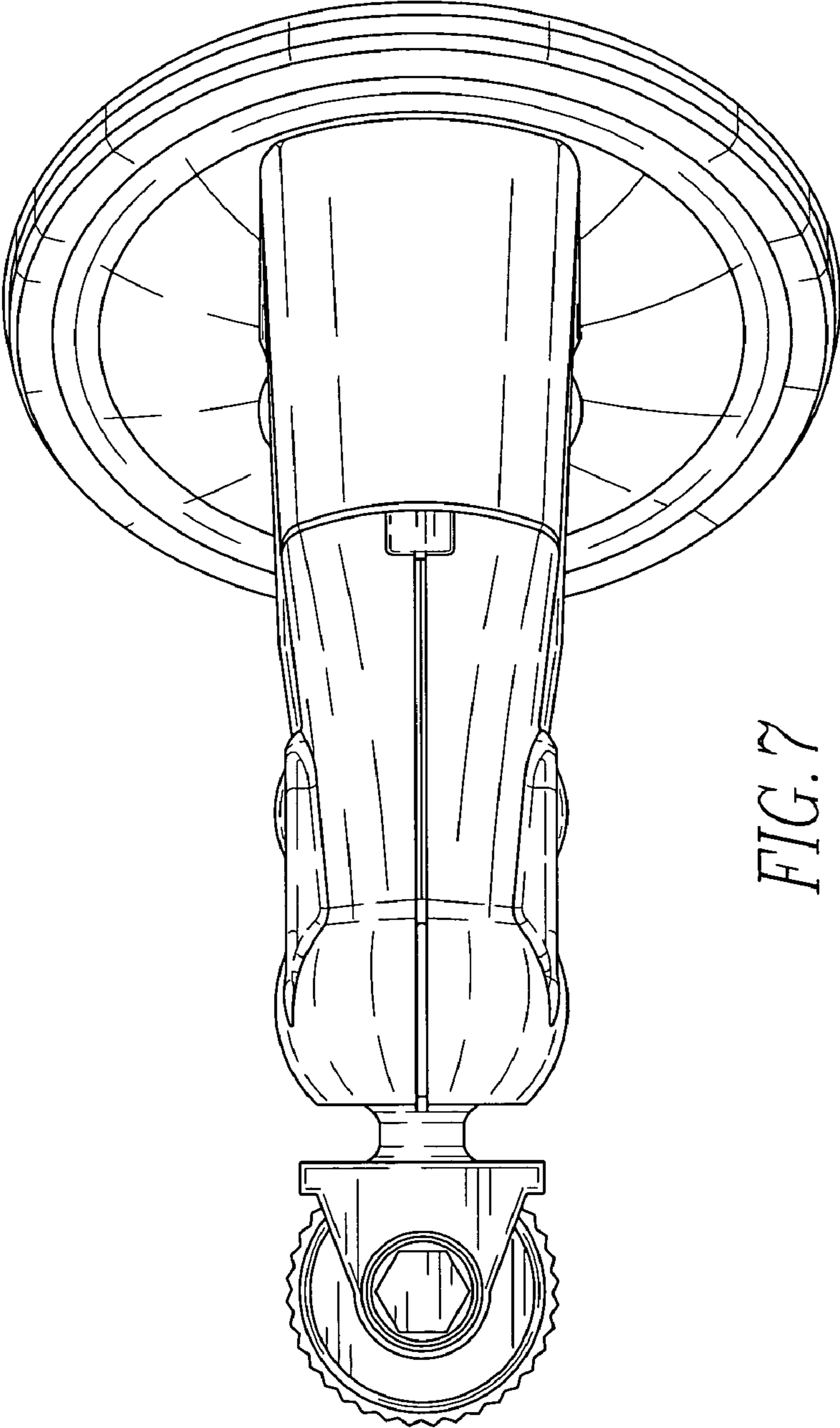


FIG. 7