



US00D602023S

(12) **United States Design Patent**  
**Hirose**

(10) **Patent No.:** **US D602,023 S**

(45) **Date of Patent:** **\*\* \*Oct. 13, 2009**

(54) **PORTABLE COMPUTER**

(75) Inventor: **Ryuichirou Hirose**, Osaka (JP)

(73) Assignee: **Panasonic Corporation**, Osaka (JP)

(\*) Notice: This patent is subject to a terminal disclaimer.

(\*\*) Term: **14 Years**

(21) Appl. No.: **29/327,993**

(22) Filed: **Nov. 17, 2008**

(30) **Foreign Application Priority Data**

Jun. 19, 2008 (JP) ..... 2008-015640

(51) **LOC (9) Cl.** ..... **14-02**

(52) **U.S. Cl.** ..... **D14/439; D14/315**

(58) **Field of Classification Search** ..... D14/315-327, D14/348, 349, 351, 353-355, 385, 388-398, D14/432-434, 439-447; 361/679.01, 679.02, 361/679.07, 679.08, 679.09, 679.1, 679.18, 361/679.19, 679.2, 679.26, 679.27, 679.28, 361/679.31, 679.55, 679.57, 679.58; D21/385, D21/391; D26/113, 120; D16/219, 220, D16/241, 101, 305, 134-137; D24/225; D1/100, 121, 126-129, 199; D32/35, 40-42, D32/55-57, 66; D28/1, 2, 34, 53, 96; D19/414, D19/419, 424, 430, 432; D11/200, 210, D11/222, 226, 40, 43, 75, 78.1, 79, 95; D25/58, D25/68, 69, 103, 136, 138-140, 164  
See application file for complete search history.

(56) **References Cited**

**U.S. PATENT DOCUMENTS**

168,063 A \* 9/1875 Taylor ..... 220/62  
538,706 A \* 5/1895 Sexton ..... 116/234  
1,656,199 A \* 1/1928 Hodgson ..... 434/403  
D227,360 S \* 6/1973 Lou ..... D24/225  
D232,441 S \* 8/1974 Camposeo ..... D20/27  
3,834,077 A \* 9/1974 Meyer ..... 49/50

4,789,629 A \* 12/1988 Baker et al. .... 435/7.92  
D311,708 S \* 10/1990 Rankin ..... D11/95  
5,042,549 A \* 8/1991 Roberts ..... 160/39  
D321,910 S \* 11/1991 Brady ..... D19/97

(Continued)

**OTHER PUBLICATIONS**

Nichifu, "Plug-In Type Electric Wire Connector", Nichifu Catalog, Date Unknown, 1 page.  
MonotoRo Co., Ltd., "Quick Lock Plug-In Type Electric Wire Connector", MonotoRo Website, obtained from the internet at <http://www.monotoro.com/g/00021438/>, on Apr. 14, 2008, 6 pages.  
Panasonic, "Mobile Personal Computer Catalog", Panasonic Catalog, May 2008, 24 pages.

*Primary Examiner*—Cathron C Brooks

*Assistant Examiner*—Deanna Fluegeman

(74) *Attorney, Agent, or Firm*—Brinks Hofer Gilson & Lione

(57) **CLAIM**

I claim the ornamental design for a portable computer, as shown and described.

**DESCRIPTION**

FIG. 1 is a top and front perspective view of a portable computer of the present invention;

FIG. 2 is a front view thereof;

FIG. 3 is a rear view thereof;

FIG. 4 is a first side view thereof;

FIG. 5 is a second side view thereof;

FIG. 6 is a top view thereof;

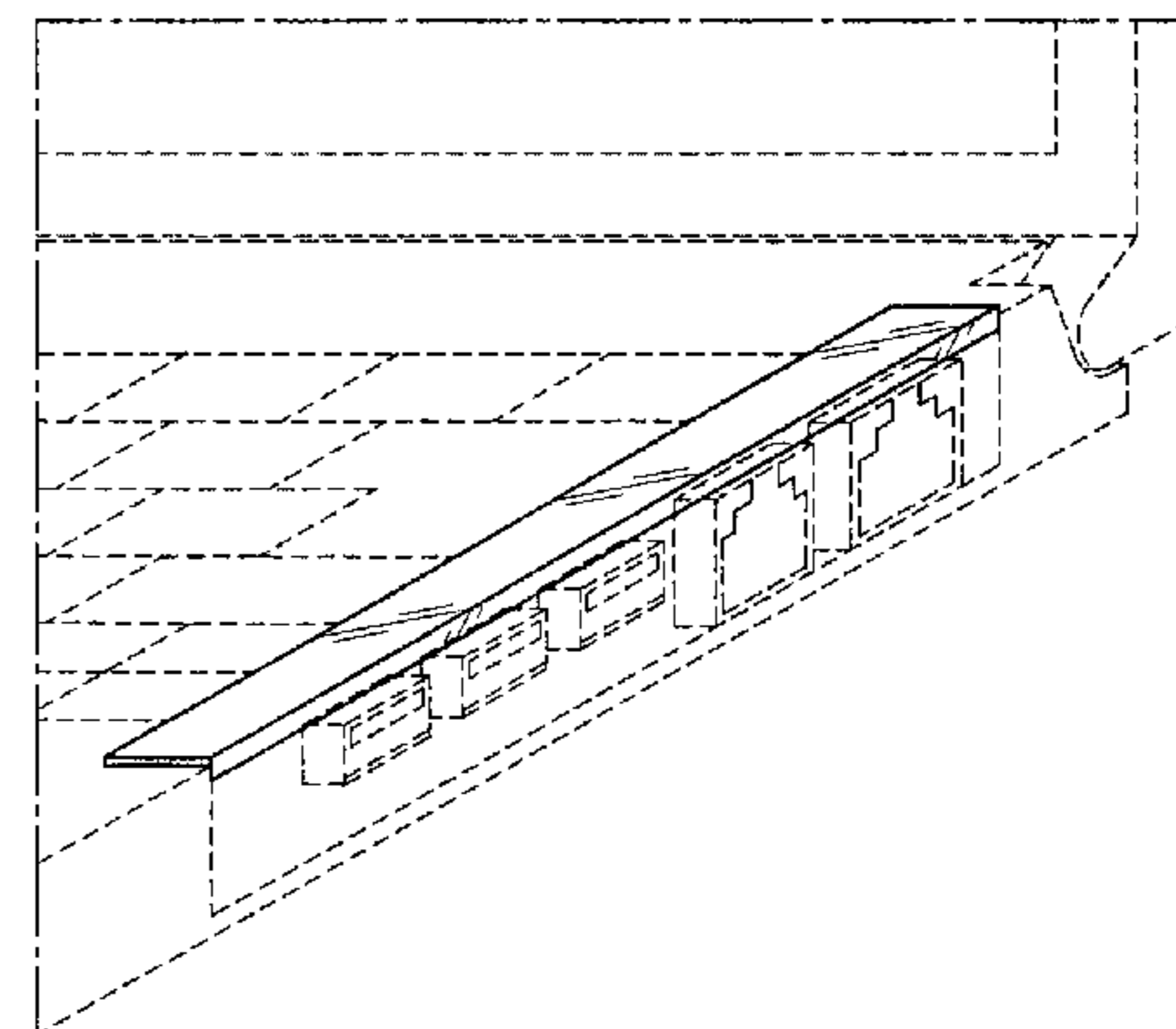
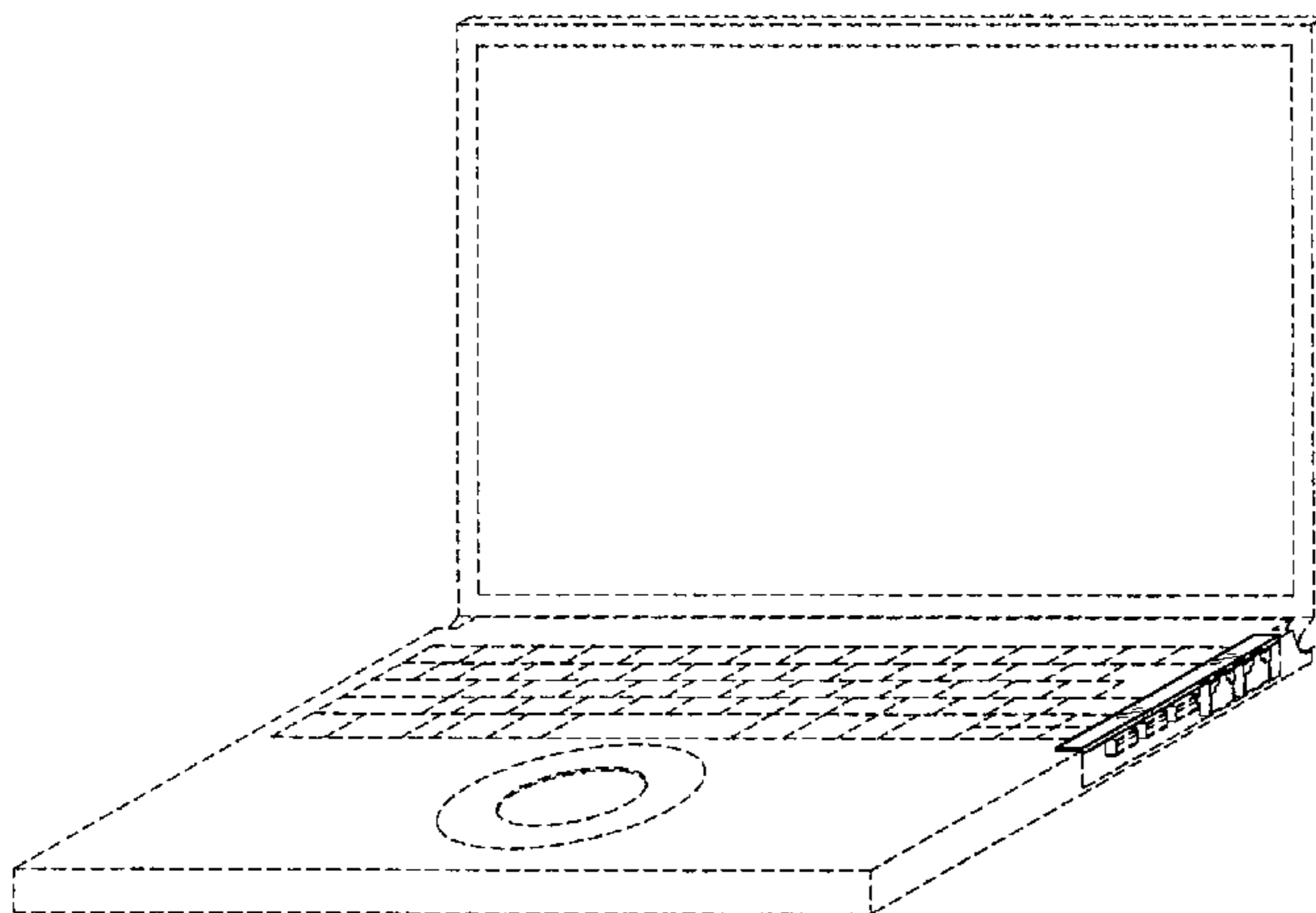
FIG. 7 is a bottom view thereof; and,

FIG. 8 is an enlarged perspective view of the claimed portion.

The oblique line shading indicates that the article is translucent or transparent.

The broken lines in the drawings illustrate unclaimed portions of the portable computer and form no part of the claimed design.

**1 Claim, 8 Drawing Sheets**



# US D602,023 S

Page 2

---

## U.S. PATENT DOCUMENTS

D337,722 S *	7/1993	Trapp .....	D25/103	D504,897 S *	5/2005	Wood et al. ....	D14/444
D403,815 S *	1/1999	Inerbickler .....	D32/46	D512,546 S *	12/2005	Ibanez .....	D1/127
6,085,821 A *	7/2000	Roberts .....	160/38	D521,992 S *	5/2006	Morooka et al. ....	D14/316
D444,099 S *	6/2001	Bell et al. ....	D11/95	D537,069 S *	2/2007	Ishibashi .....	D14/214
D495,806 S *	9/2004	Nørholm .....	D24/225	D567,858 S *	4/2008	Donat .....	D19/52
D500,321 S *	12/2004	Wood et al. ....	D14/444	D568,308 S *	5/2008	Nakagawa .....	D14/315
D500,503 S *	1/2005	Wood et al. ....	D14/444	D569,064 S *	5/2008	Hinder et al. ....	D32/25
D504,437 S *	4/2005	Wood et al. ....	D14/444	D575,128 S *	8/2008	Clampitt et al. ....	D8/82

\* cited by examiner

FIG.1

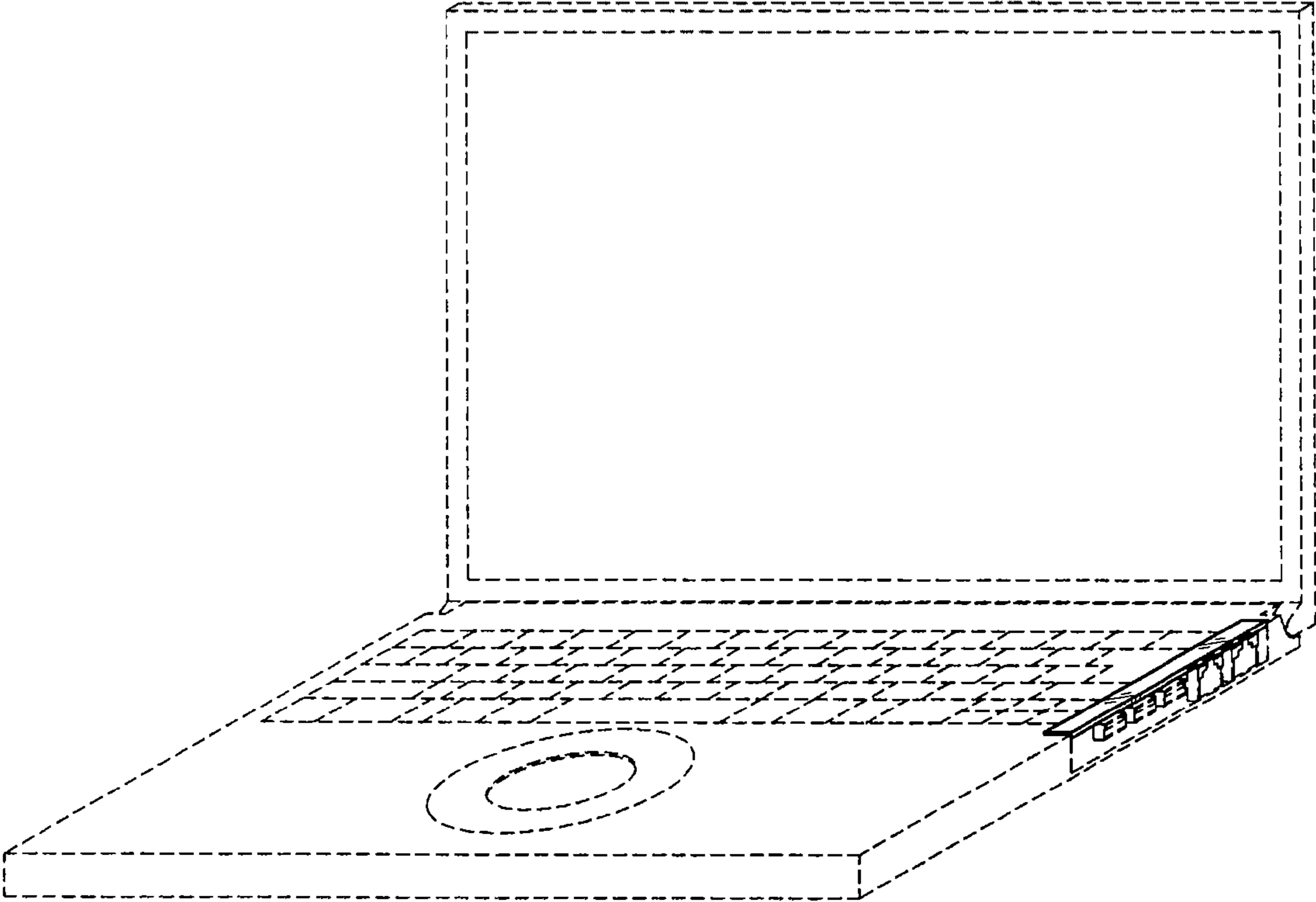


FIG.2

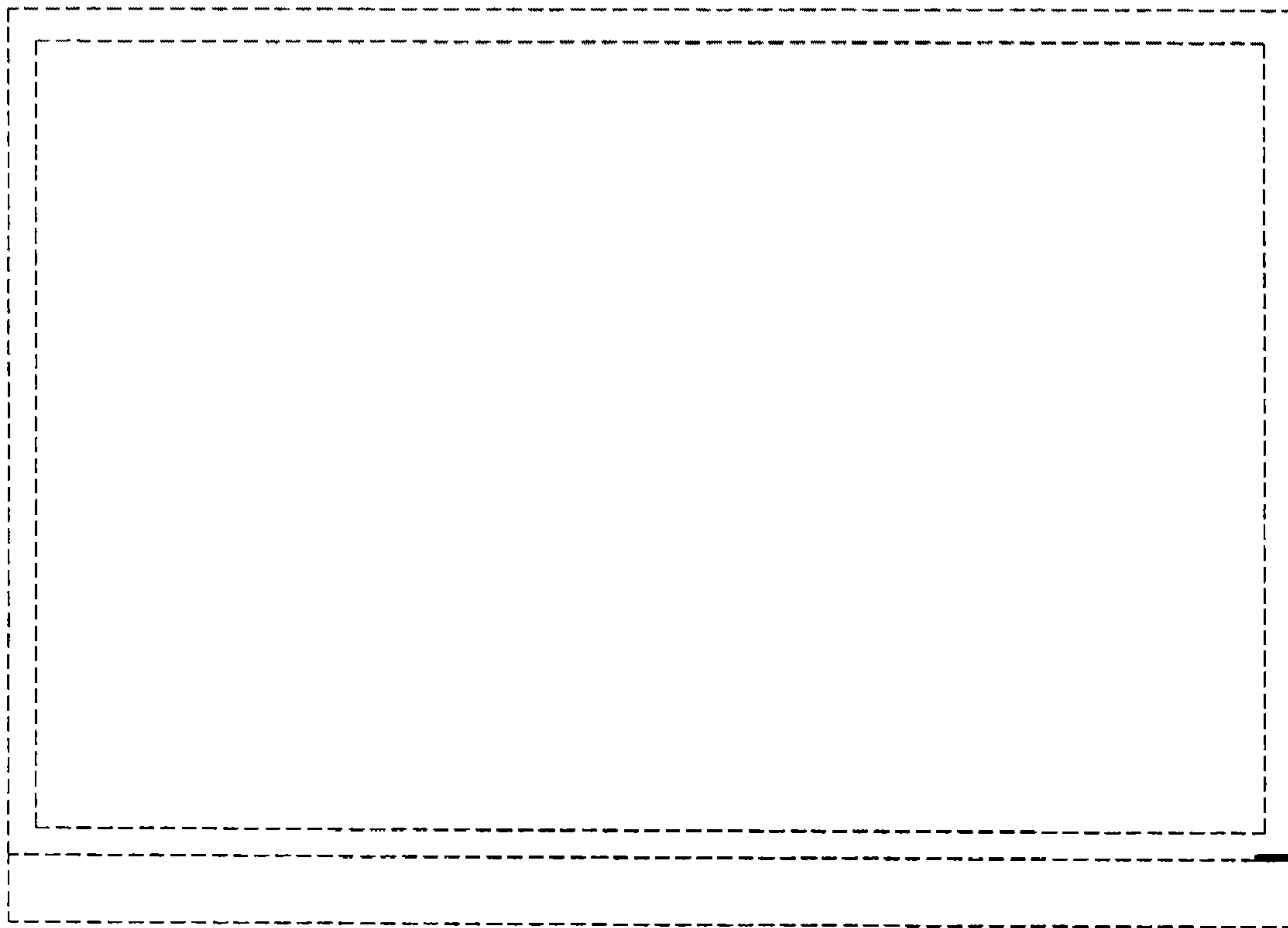


FIG.3



FIG.4

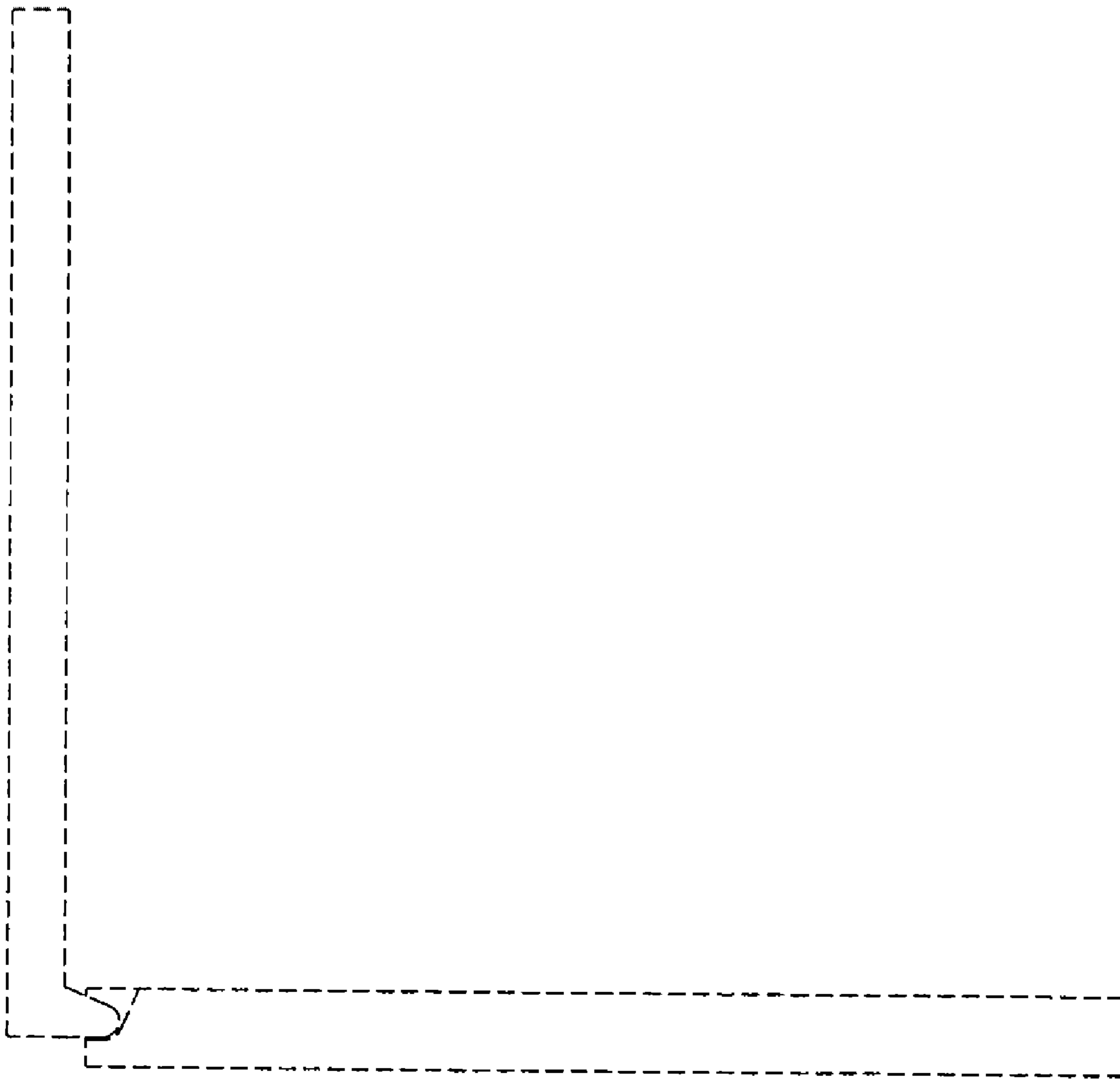


FIG.5

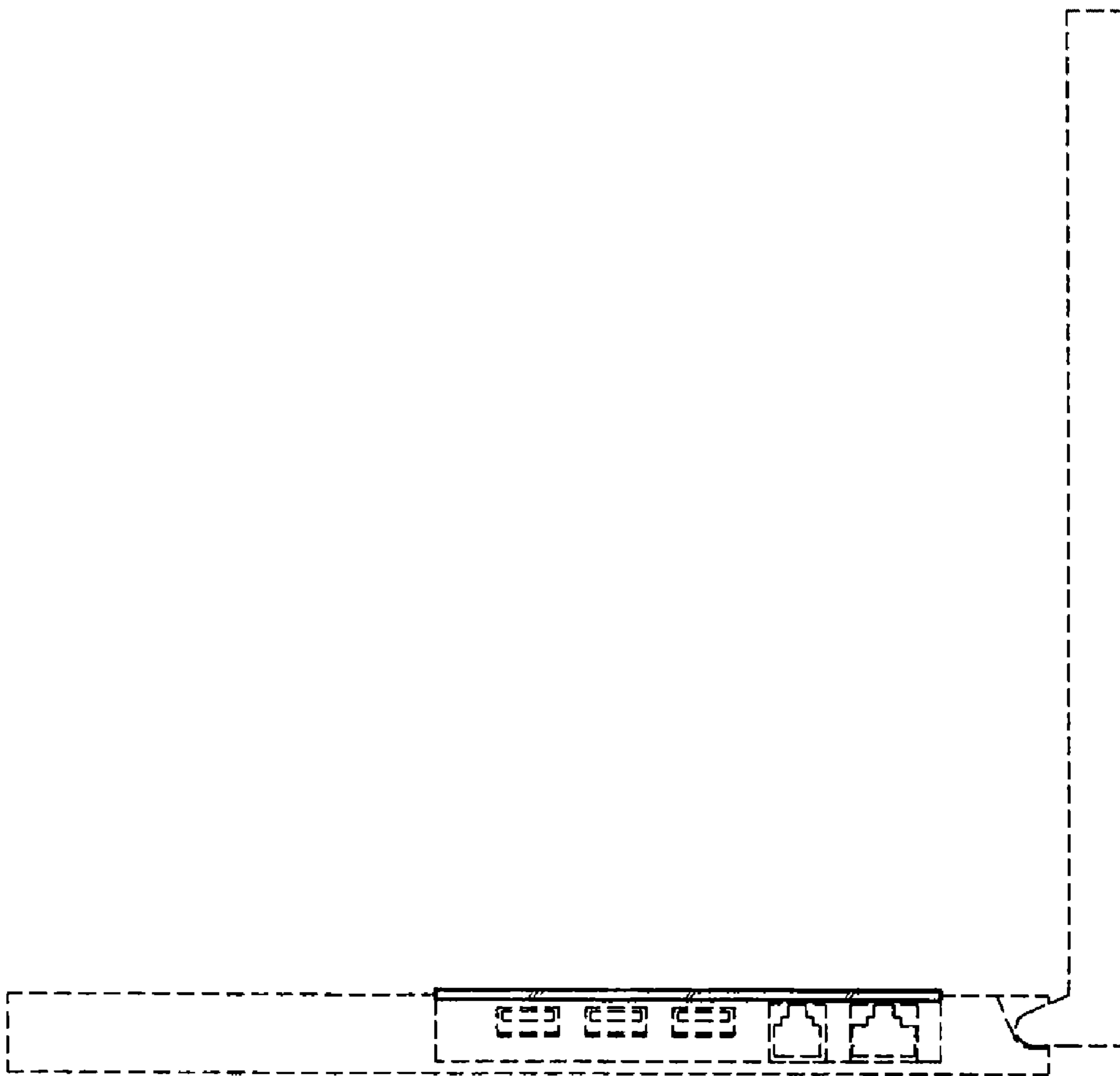


FIG.6

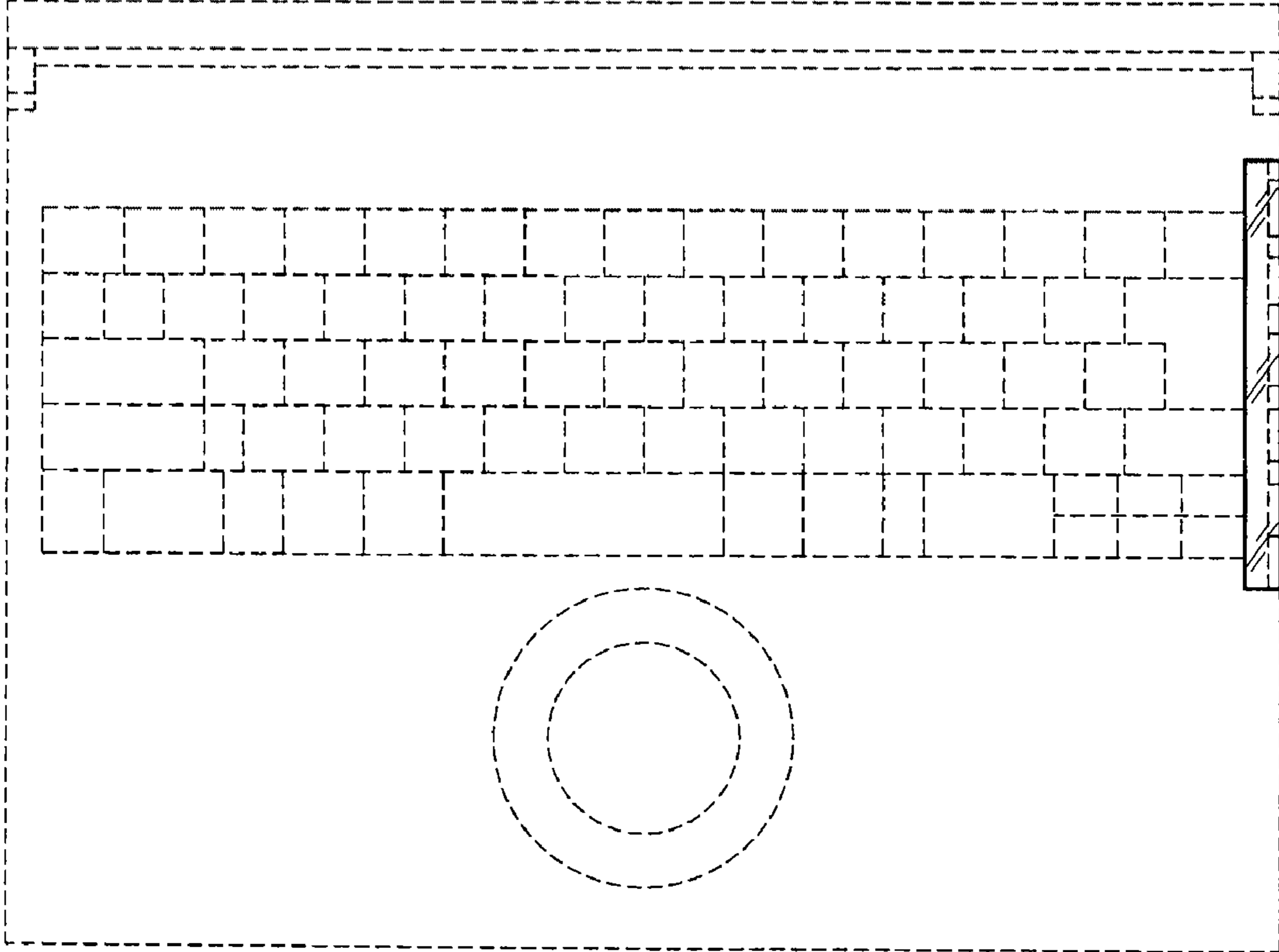




FIG.7

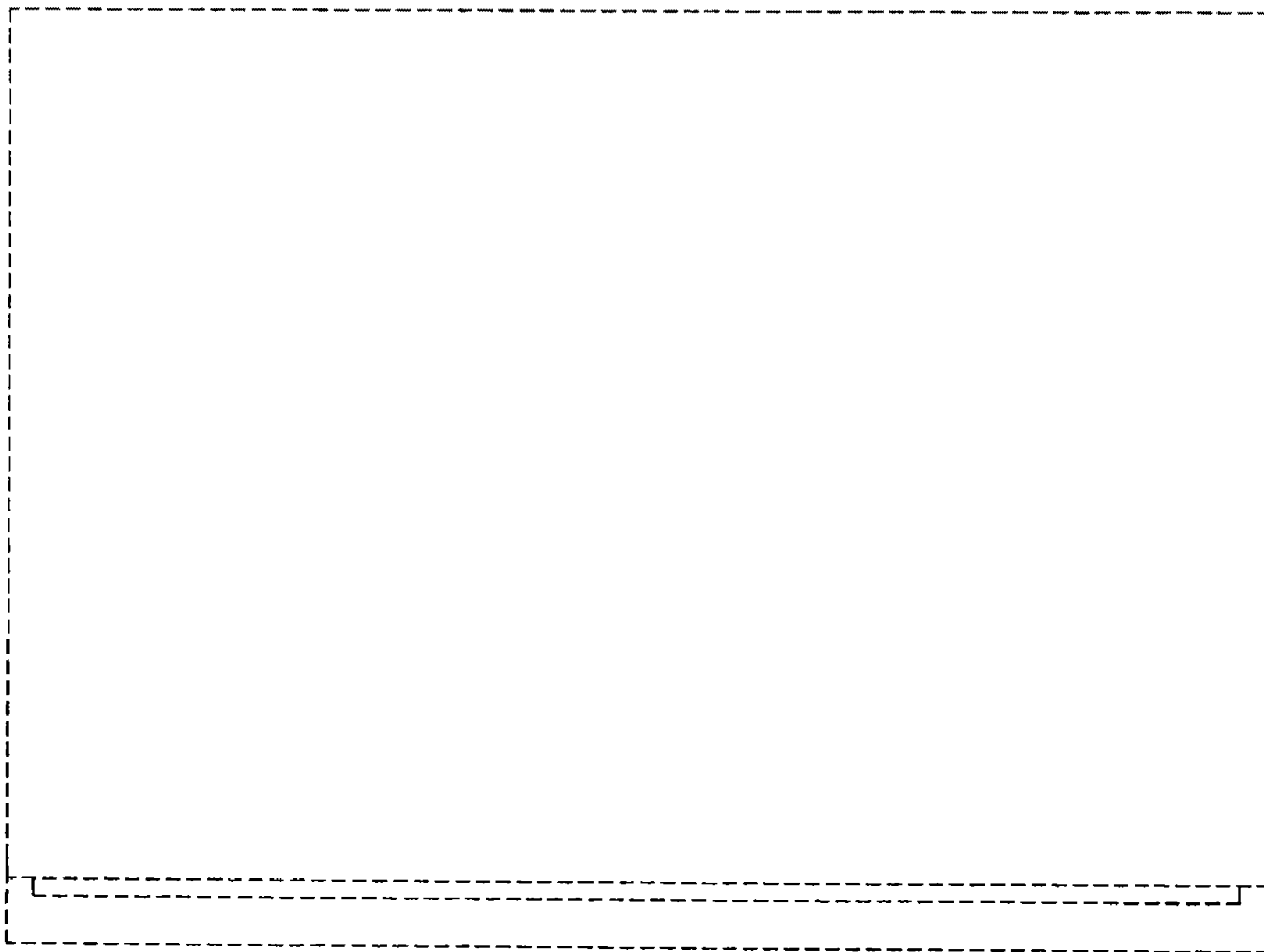


FIG.8

