

US00D602018S

(12) **United States Design Patent**
Griffin et al.

(10) **Patent No.:** **US D602,018 S**
(45) **Date of Patent:** **** Oct. 13, 2009**

(54) **HAND-HELD ELECTRONIC DEVICE**

D581,924 S * 12/2008 Griffin D14/346

(75) Inventors: **Jason T. Griffin**, Kitchener (CA);
Cortez Corley, Waterloo (CA)

(Continued)

(73) Assignee: **Research in Motion Limited**, Waterloo,
Ontario, CA (US)

OTHER PUBLICATIONS

(**) Term: **14 Years**

BlackBerry Pearl 8100, announced Sep. 2006, <URL:http://www.gsmarena.com/blackberry_pearl_8100-1701.php>, retrieved from internet Nov. 26, 2008 6:17:20 PM.*

(21) Appl. No.: **29/253,917**

Primary Examiner—Ian Simmons
Assistant Examiner—Carla Jobe Wright

(22) Filed: **Feb. 13, 2006**

(74) *Attorney, Agent, or Firm*—Novak Druce + Quigg LLP

(51) **LOC (9) Cl.** **14-03**

(57) **CLAIM**

(52) **U.S. Cl.** **D14/346**

We claim the ornamental design for a hand-held electronic device, as shown and described.

(58) **Field of Classification Search** D14/137,
D14/138, 138 AA, 138 R, 147–148, 156,
D14/218, 247–248, 341–347, 390, 399, 455–456,
D14/496; D16/208; D21/329, 331, 333,
D21/517; 348/14.01–14.02; 361/814; 379/433.01–433.13;
455/90.3, 556.1–556.2, 566, 575.1, 575.3,
455/575.4; D13/164, 168; 439/165; 343/702;
345/167, 168, 169

DESCRIPTION

See application file for complete search history.

FIG. 1 is a front elevational view of a hand-held electronic device;

(56) **References Cited**

U.S. PATENT DOCUMENTS

D312,628 S	12/1990	Yokoi et al.	
D313,401 S	1/1991	Tanabe	
D329,228 S	9/1992	Thomas	
5,218,188 A	6/1993	Hanson	
D470,842 S	2/2003	Bhatia et al.	
D502,159 S	2/2005	Chan et al.	
D502,160 S	2/2005	Chen et al.	
D513,748 S	1/2006	Shlieffers et al.	
D524,803 S *	7/2006	Tyneski et al.	D14/247
D545,803 S *	7/2007	Chen	D14/138 AA
D550,186 S *	9/2007	Rak	D14/138 AA
D550,641 S *	9/2007	Wang	D14/138 AA
D550,665 S *	9/2007	Griffin et al.	D14/346
D551,227 S *	9/2007	Griffin et al.	D14/346
D556,749 S *	12/2007	Rak et al.	D14/346
D560,628 S *	1/2008	Ruohonen	D14/138 AA

FIG. 2 is a rear elevational view thereof;

FIG. 3 is a right side elevational view thereof;

FIG. 4 is a left side elevational view thereof;

FIG. 5 is a top plan view thereof;

FIG. 6 is a bottom plan view thereof;

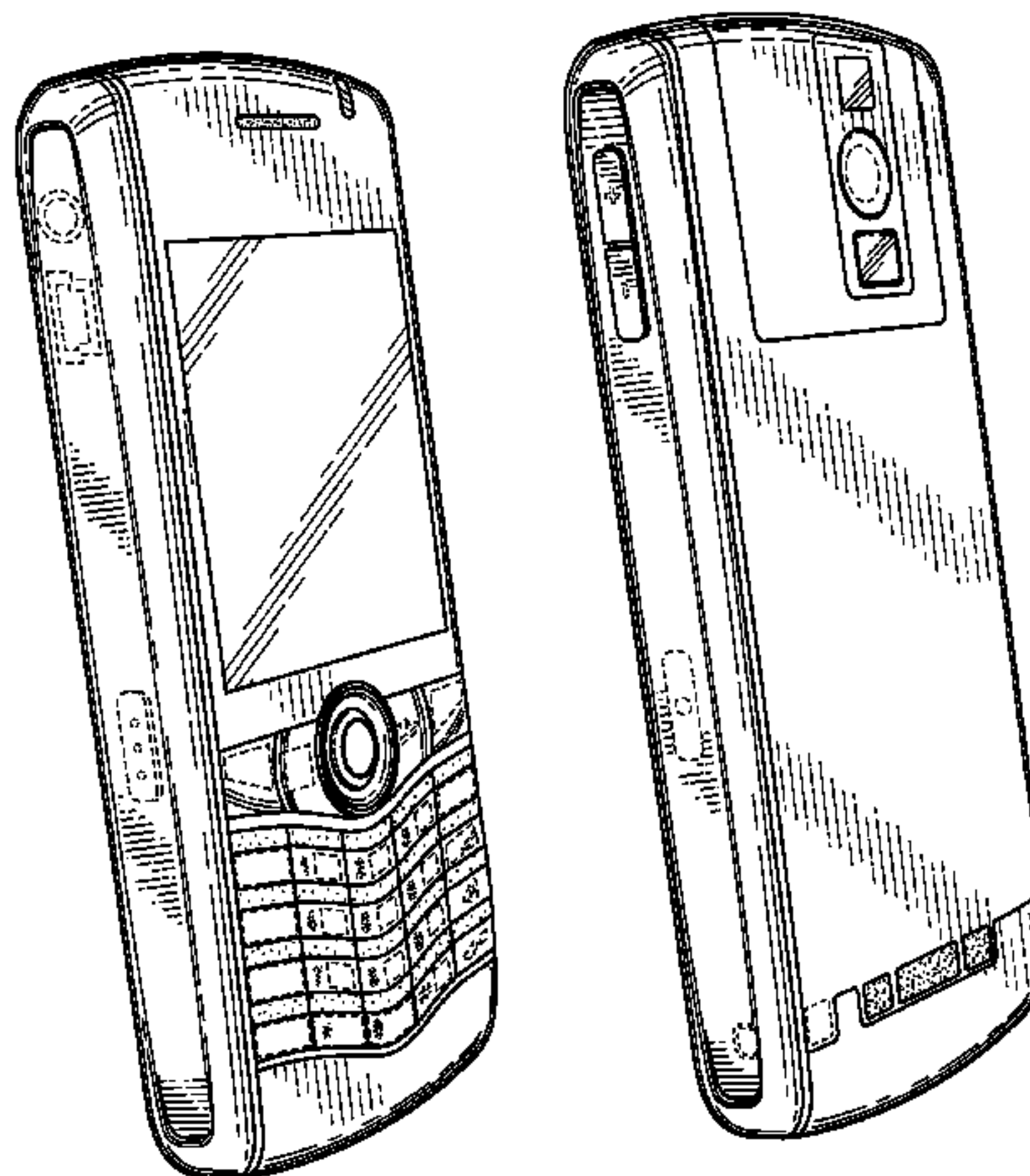
FIG. 7 is a right front perspective view thereof; and,

FIG. 8 is a left rear perspective view thereof.

The broken lines that show the outermost periphery of non-claimed features represent the bounds of the claimed design while all other broken lines are directed to environment and are for illustrative purposes only; any boundary created by the broken lines is unclaimed; the broken lines and the areas that are bounded by broken lines form no part of the claimed design.

The stippled shading shown on portions of the keypad in FIGS. 1 and 7 and on other features in FIGS. 1, 2, 5, 7, and 8 represents color contrast.

1 Claim, 6 Drawing Sheets



US D602,018 S

Page 2

U.S. PATENT DOCUMENTS

D583,811 S *	12/2008	Griffin et al.	D14/346	D591,743 S *	5/2009	Corley et al.	D14/346
D585,889 S *	2/2009	Rak et al.	D14/346	D593,555 S *	6/2009	Corley et al.	D14/346
D586,344 S *	2/2009	Rak et al.	D14/346	2007/0188462 A1 *	8/2007	Lee et al.	345/167
D586,804 S *	2/2009	Rak et al.	D14/346	2007/0211034 A1 *	9/2007	Griffin et al.	345/169
D587,263 S *	2/2009	Rak et al.	D14/346	2007/0254721 A1 *	11/2007	Griffin et al.	455/566
D587,264 S *	2/2009	Griffin et al.	D14/346	2007/0259698 A1 *	11/2007	Chen et al.	455/566
D587,705 S *	3/2009	Rak et al.	D14/346	2008/0074394 A1 *	3/2008	Rak et al.	345/168

* cited by examiner

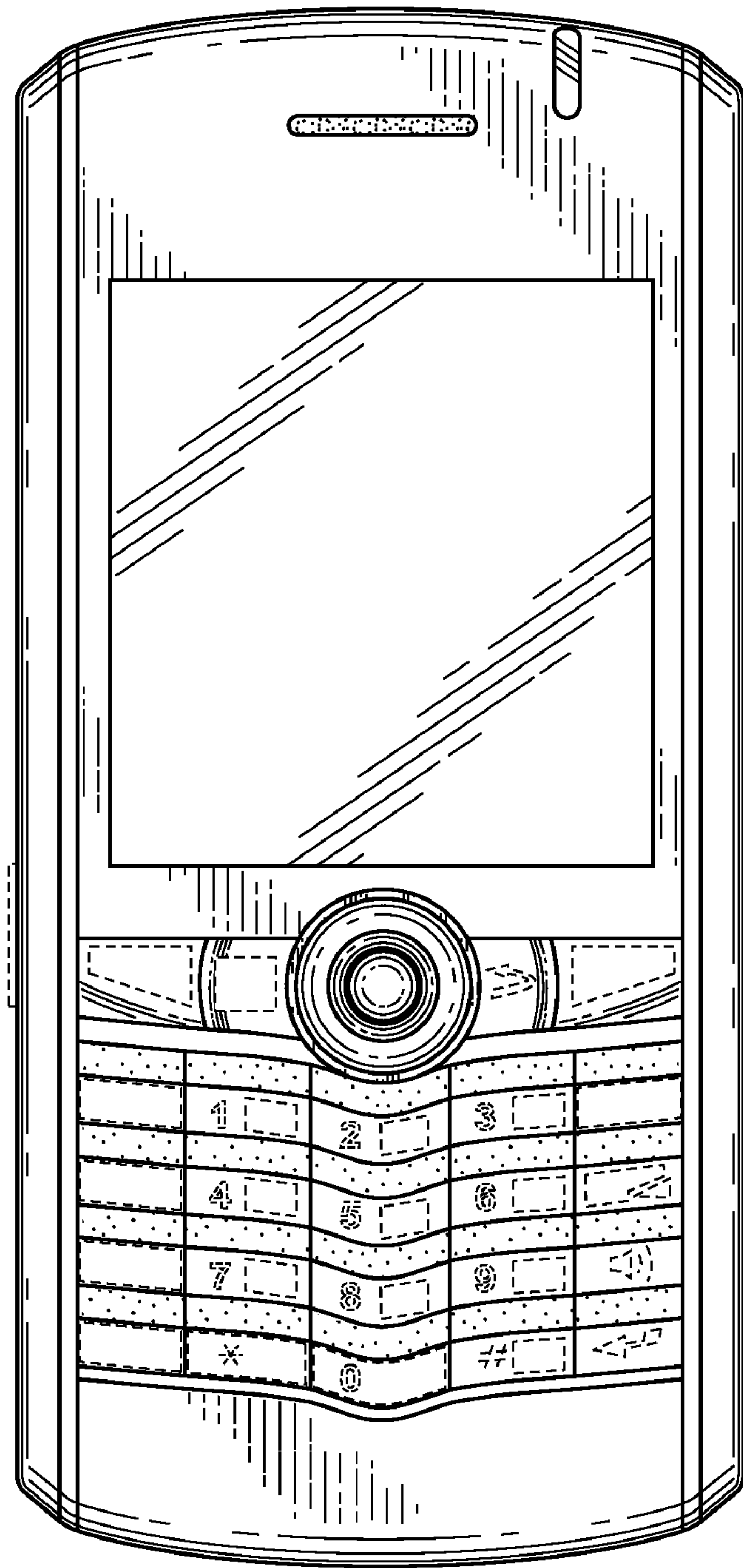


FIG. 1

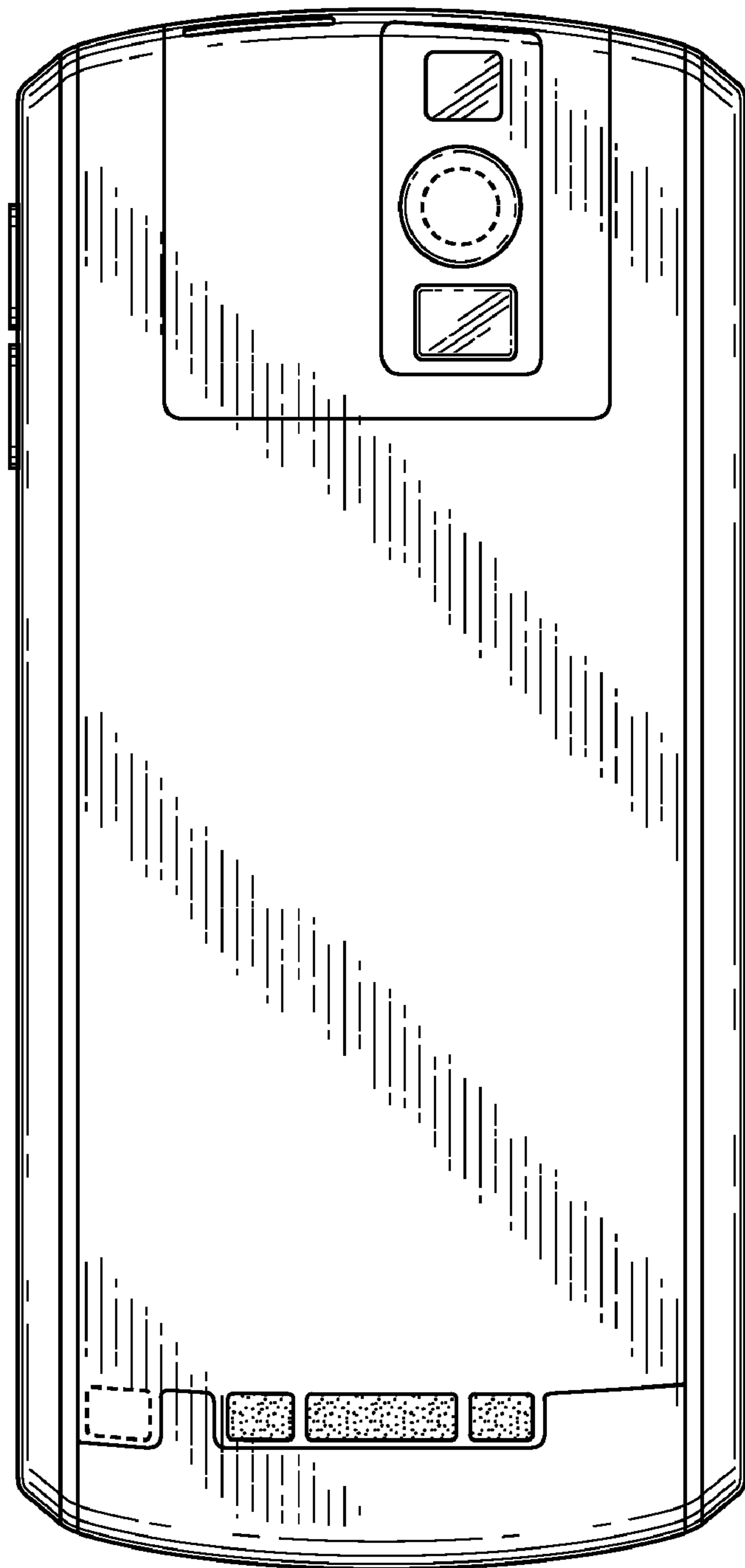


FIG. 2

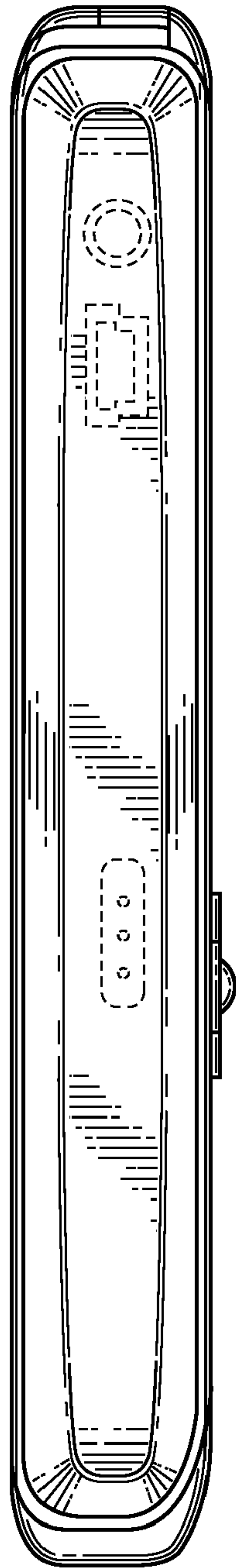


FIG. 3

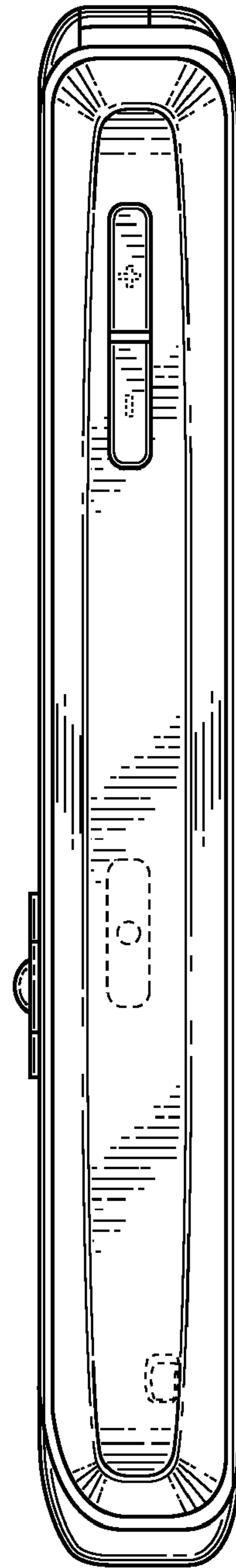


FIG. 4

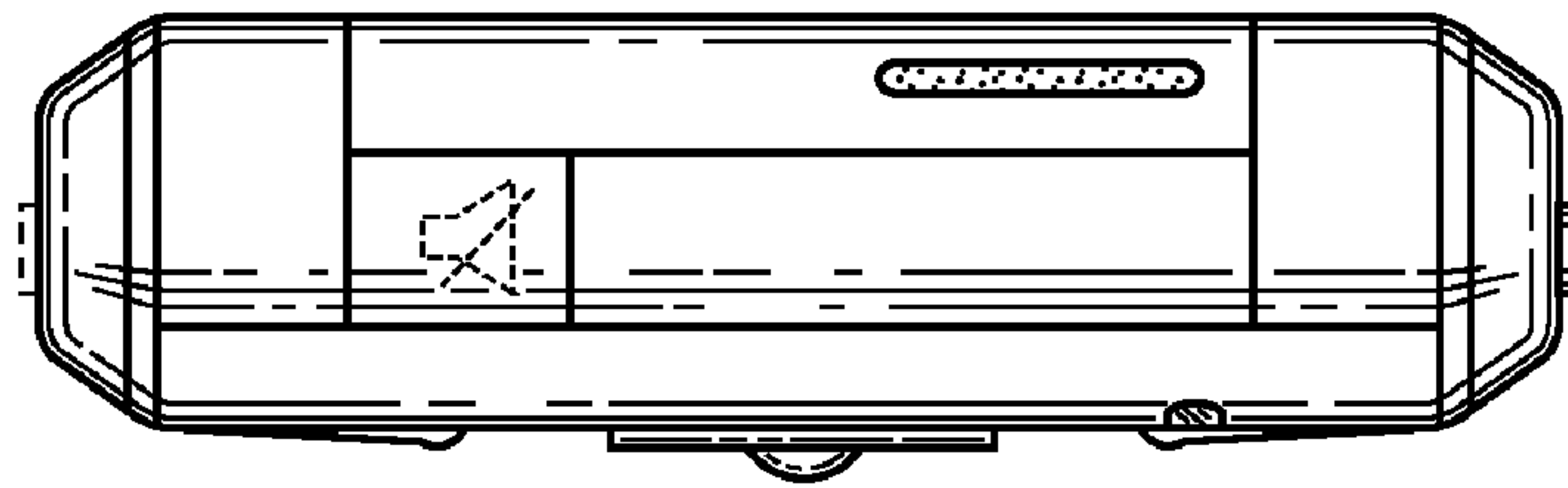


FIG. 5

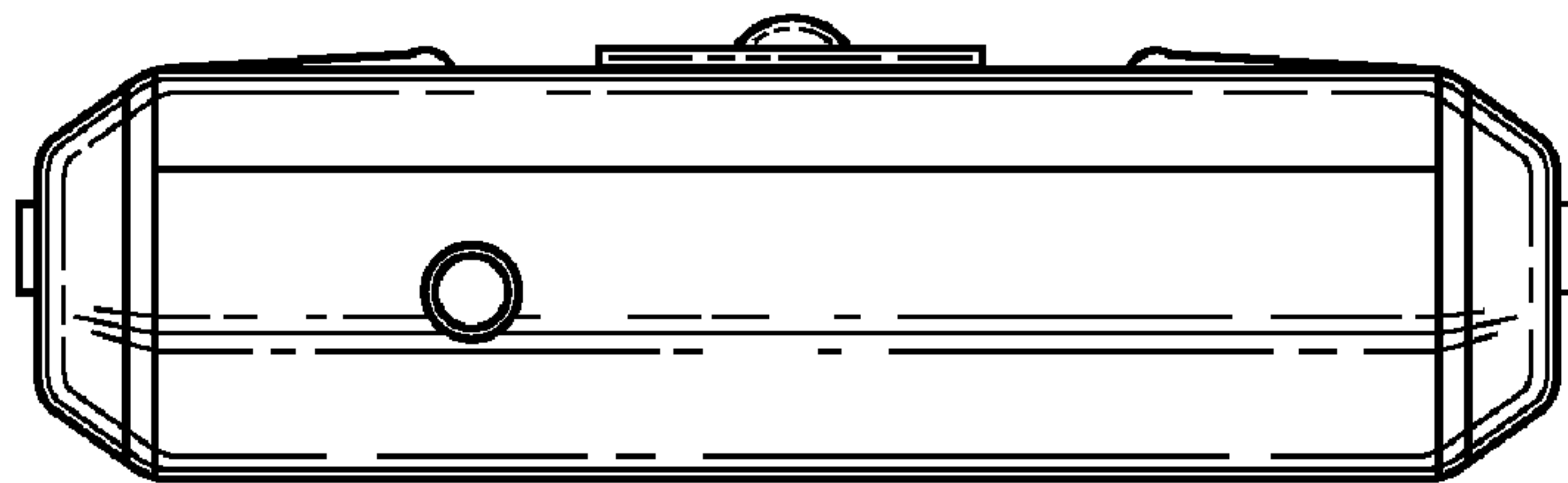


FIG. 6

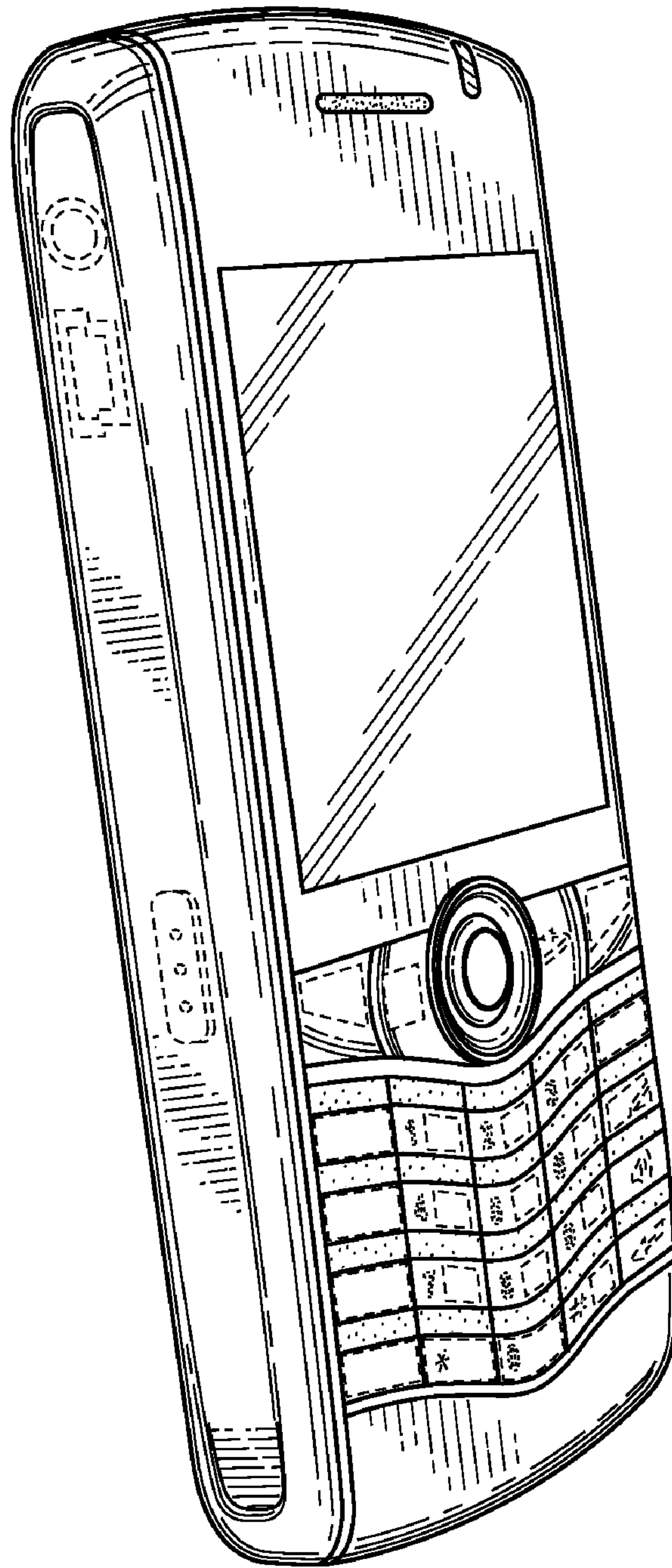


FIG. 7

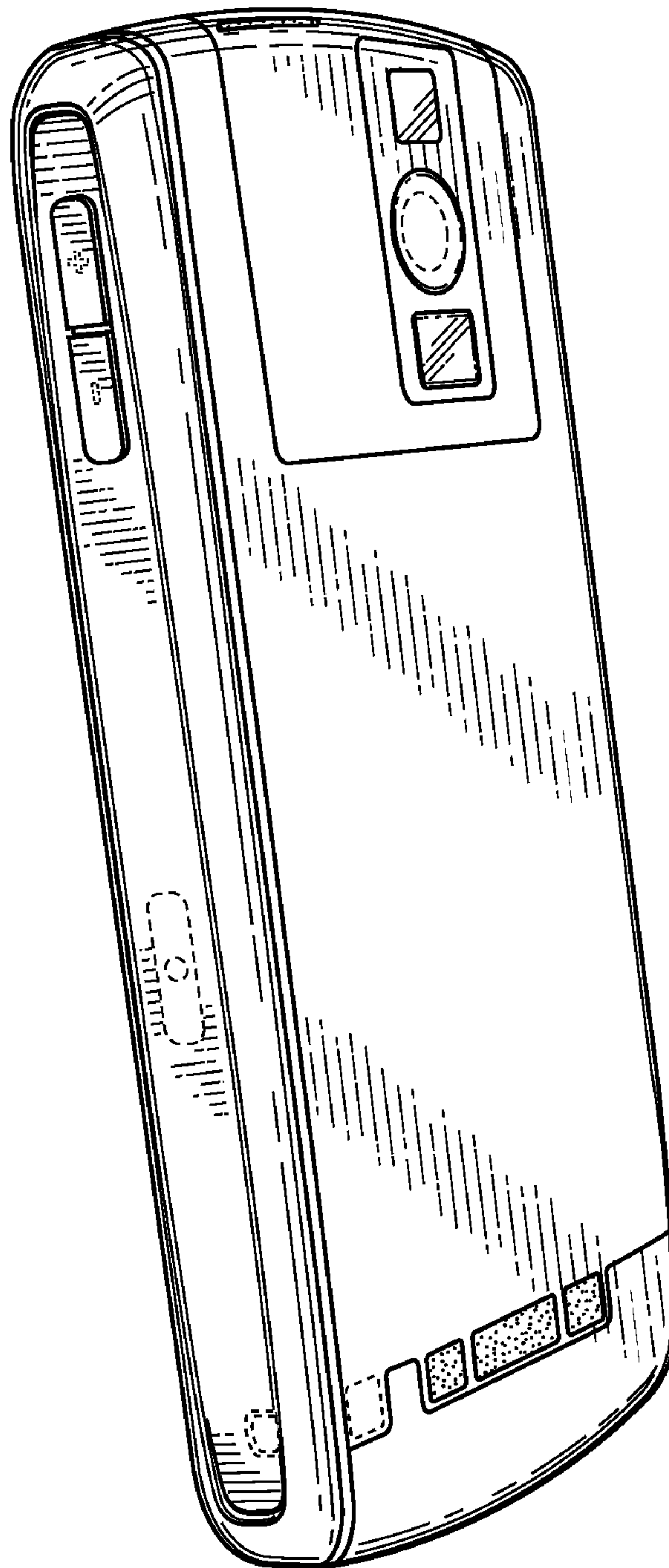


FIG. 8