

US00D602013S

(12) **United States Design Patent**
Quilling, II

(10) **Patent No.:** **US D602,013 S**

(45) **Date of Patent:** **** Oct. 13, 2009**

(54) **DOUBLE DIN AUTO STEREO MOUNTING DEVICE**

(75) Inventor: **R. Spencer Quilling, II**, DeLand, FL (US)

(73) Assignee: **Metra Electronics**

(**) Term: **14 Years**

(21) Appl. No.: **29/314,271**

(22) Filed: **Mar. 18, 2009**

(51) **LOC (9) Cl.** **14-01**

(52) **U.S. Cl.** **D14/258**

(58) **Field of Classification Search** D14/157, D14/217, 224, 257-258; 360/4; 369/75.11; 720/658, 691; 455/344, 575.1

See application file for complete search history.

(56) **References Cited**

U.S. PATENT DOCUMENTS

- D545,661 S * 7/2007 Quilling, II D14/258
- D559,228 S * 1/2008 Iwamoto D14/157
- D565,559 S * 4/2008 Aihara D14/258

D581,408 S * 11/2008 Fiore, IV D14/258

* cited by examiner

Primary Examiner—Nanda Bondade

(74) *Attorney, Agent, or Firm*—J. Wiley Horton

(57) **CLAIM**

The ornamental design for an double din auto stereo mounting device, as shown and described.

DESCRIPTION

FIG. 1 is a perspective view of an double din auto stereo mounting device, showing my design;

FIG. 2 is a front elevation view of FIG. 1;

FIG. 3 is a rear elevation view of FIG. 1;

FIG. 4 is a right side elevation view of FIG. 1;

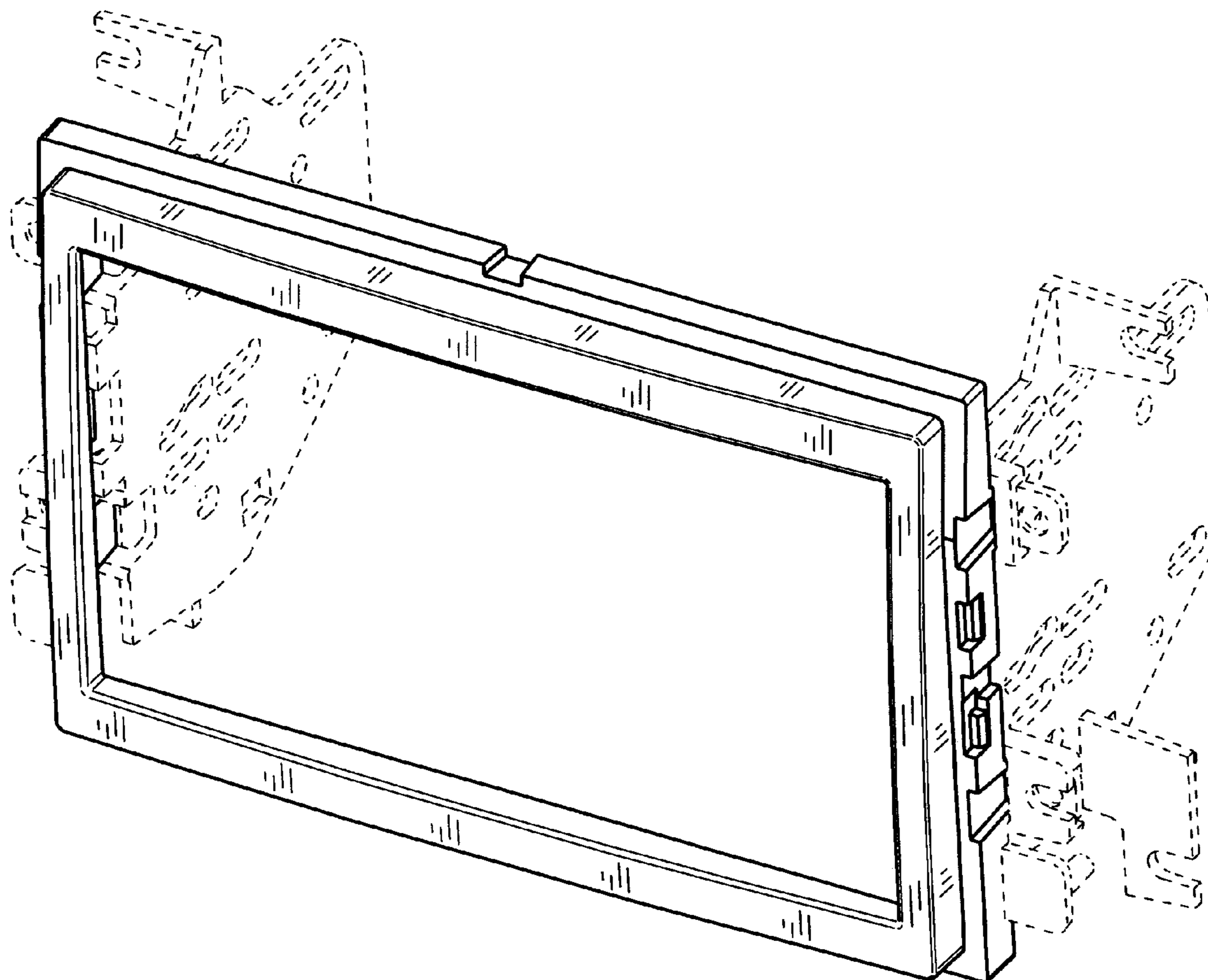
FIG. 5 is a left side elevation view of FIG. 1;

FIG. 6 is a top plan view of FIG. 1; and,

FIG. 7 is a bottom plan view of FIG. 1.

The broken lines shown in all views illustrate mounting features which form no part of the claimed design.

1 Claim, 7 Drawing Sheets



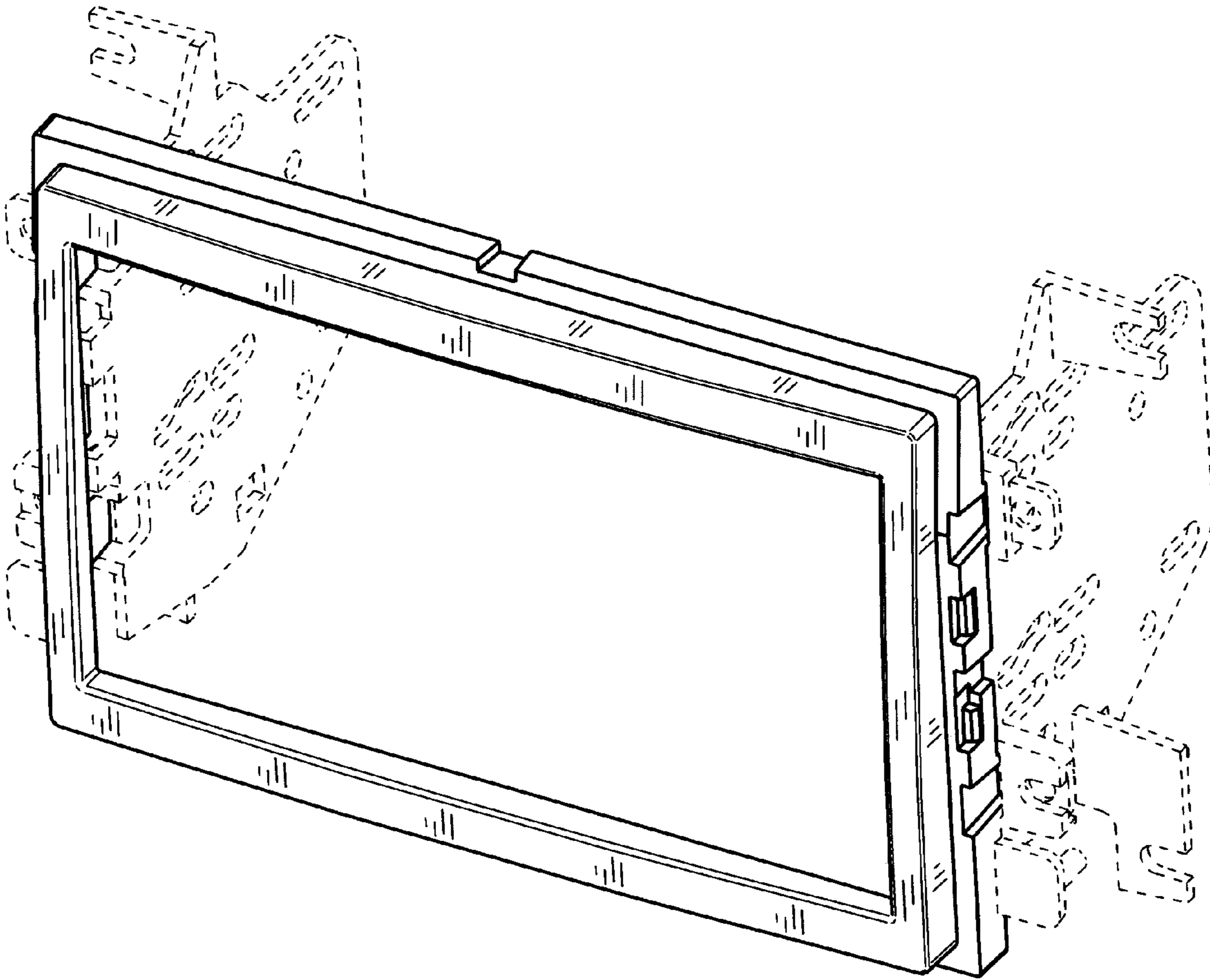


FIG. 1

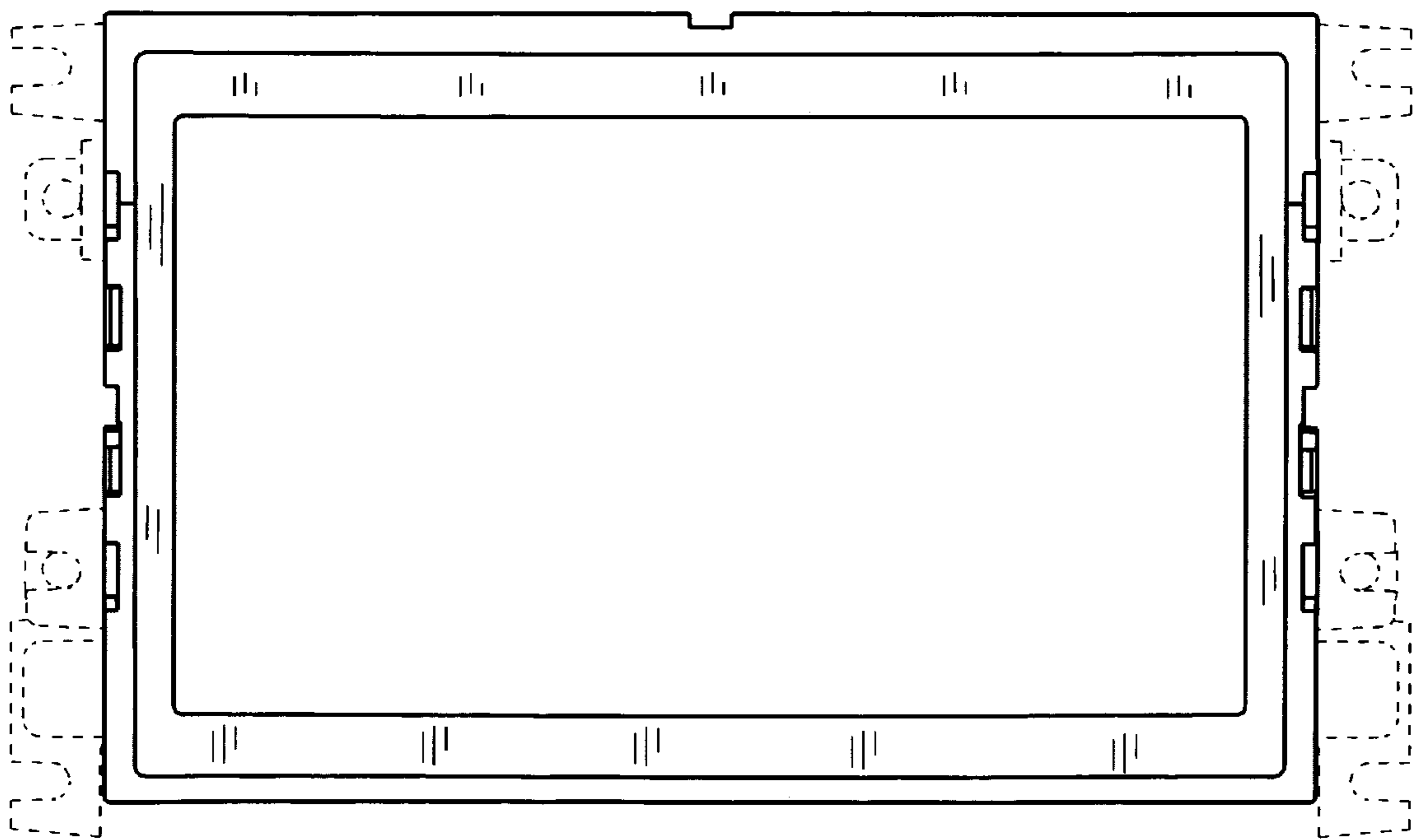


FIG. 2

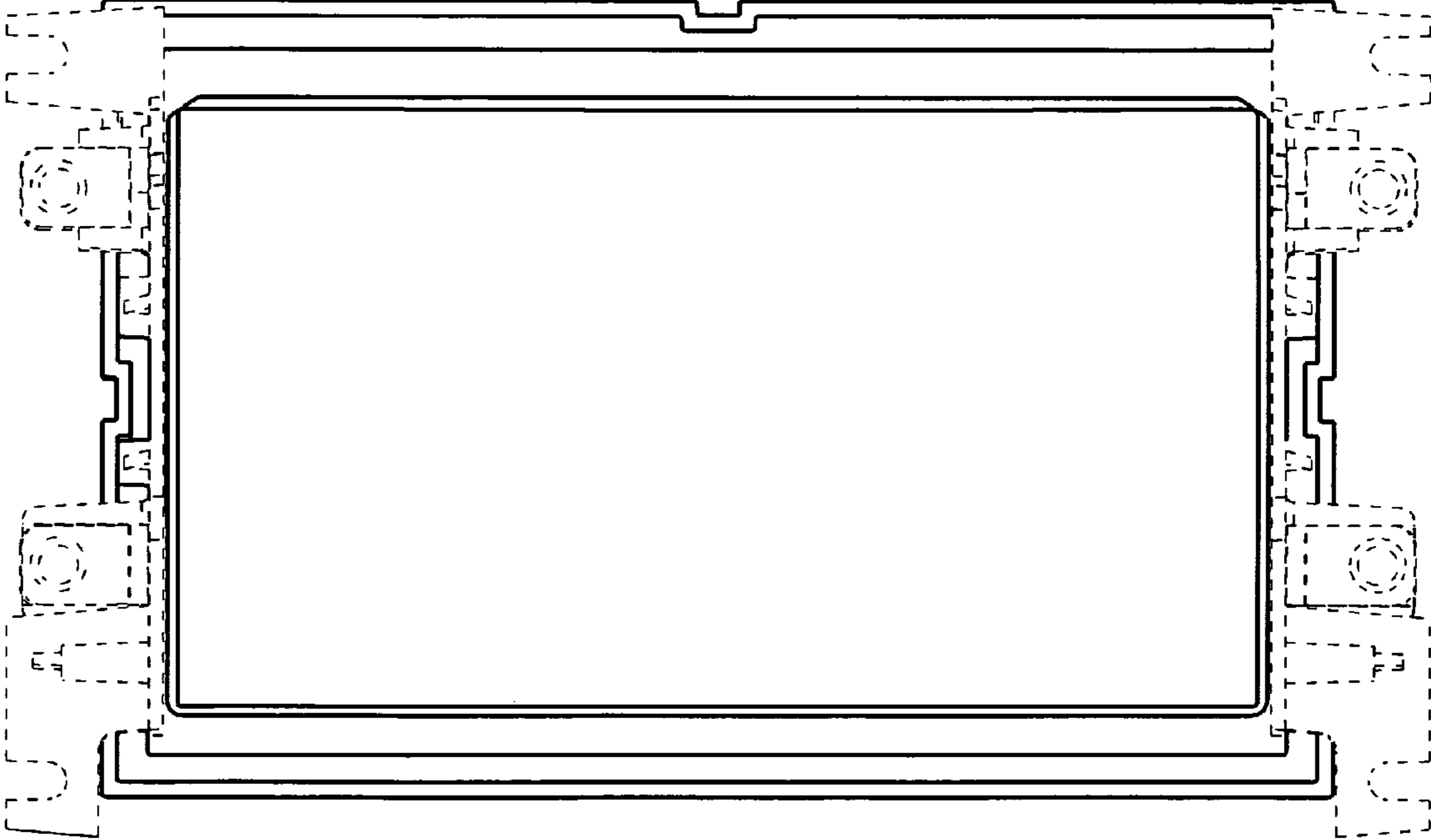


FIG. 3

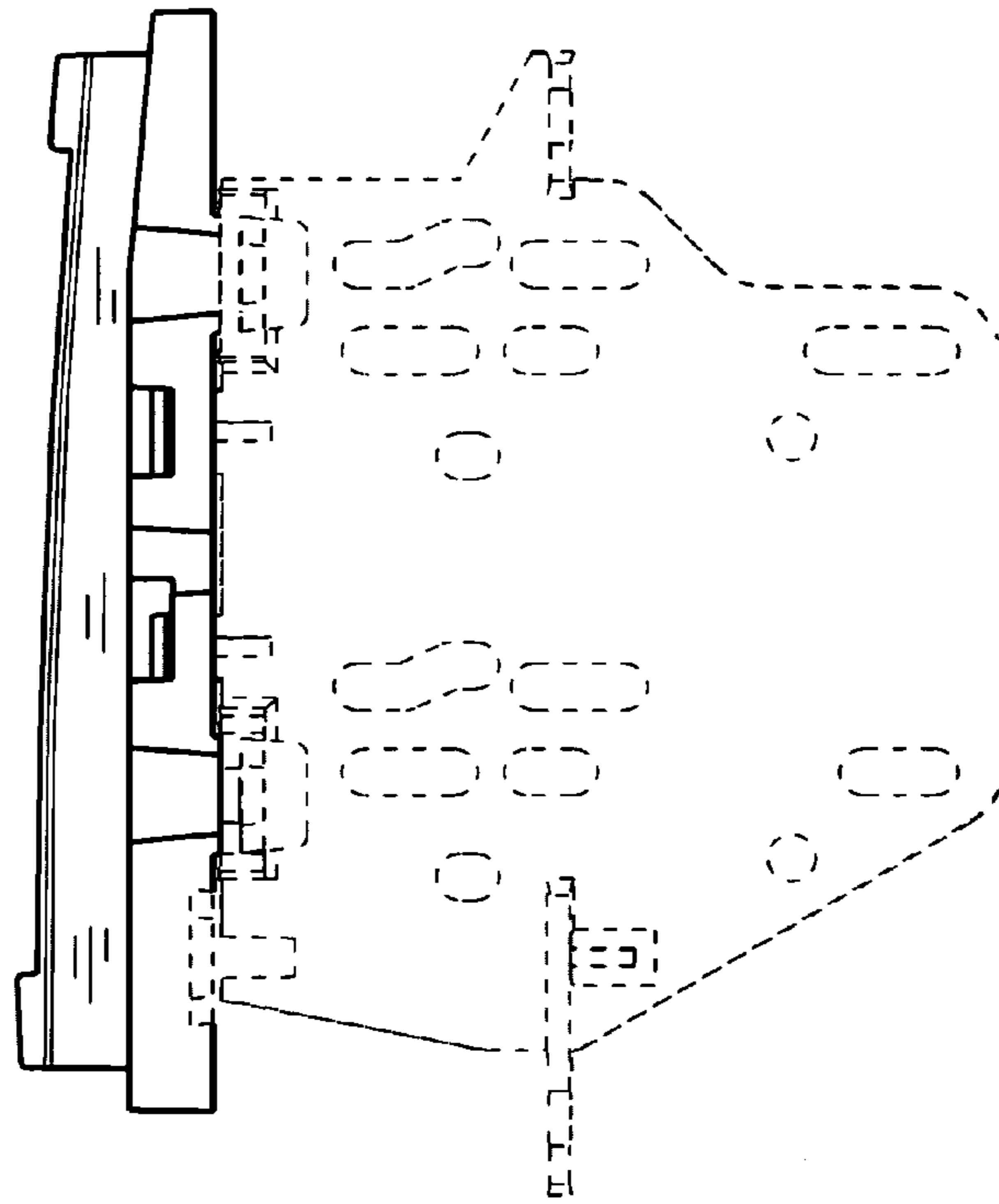


FIG. 4

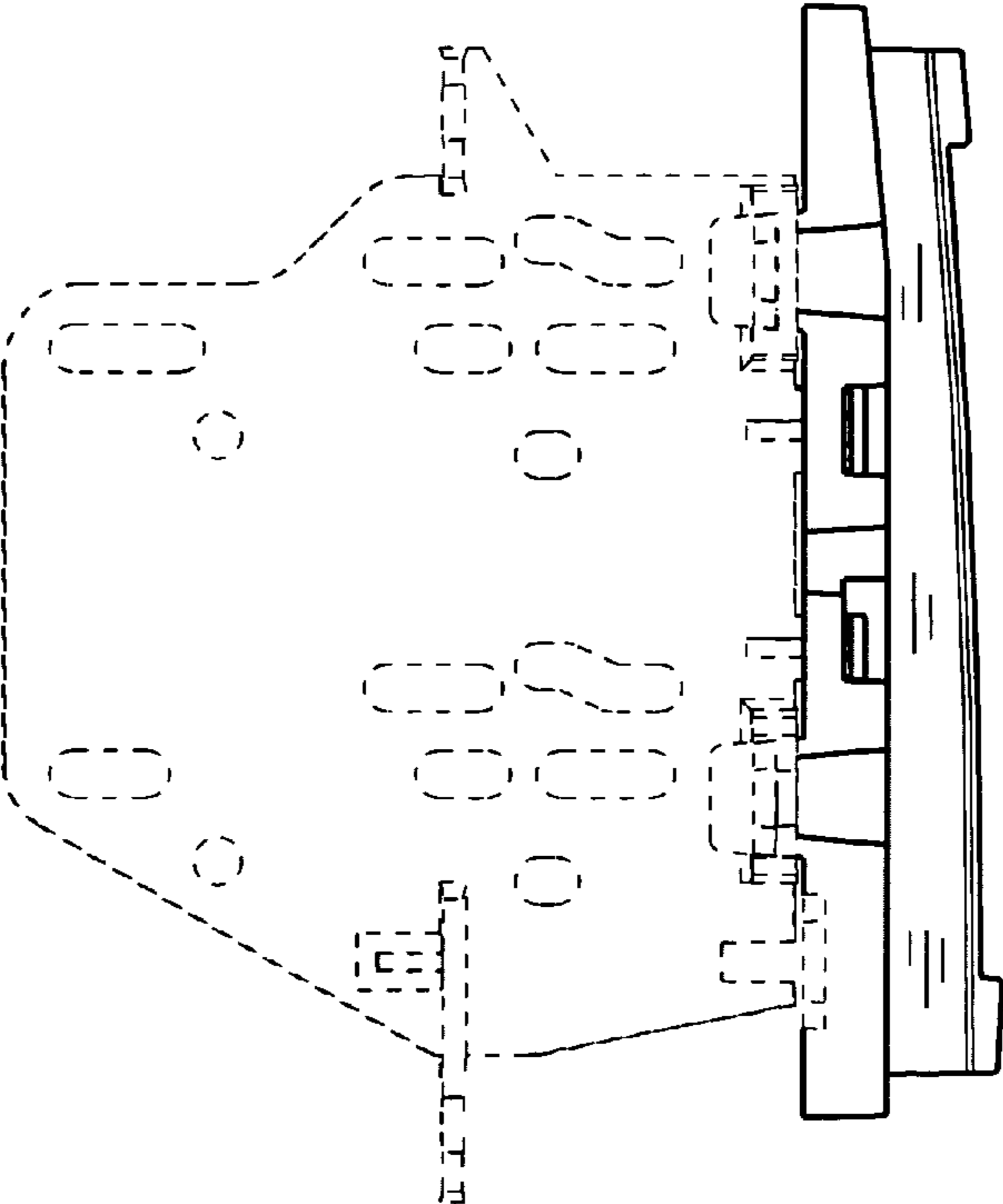


FIG. 5

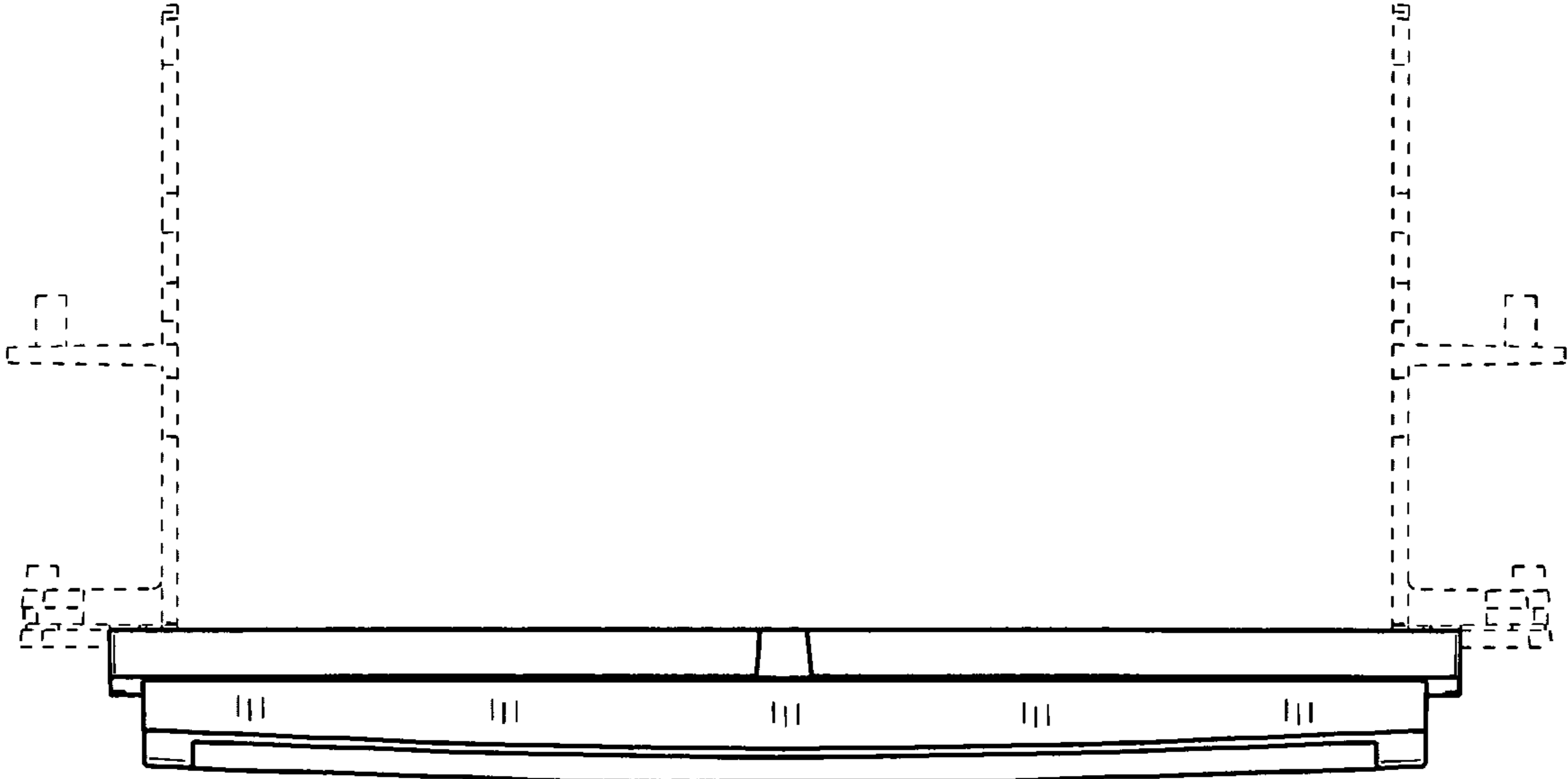


FIG. 6

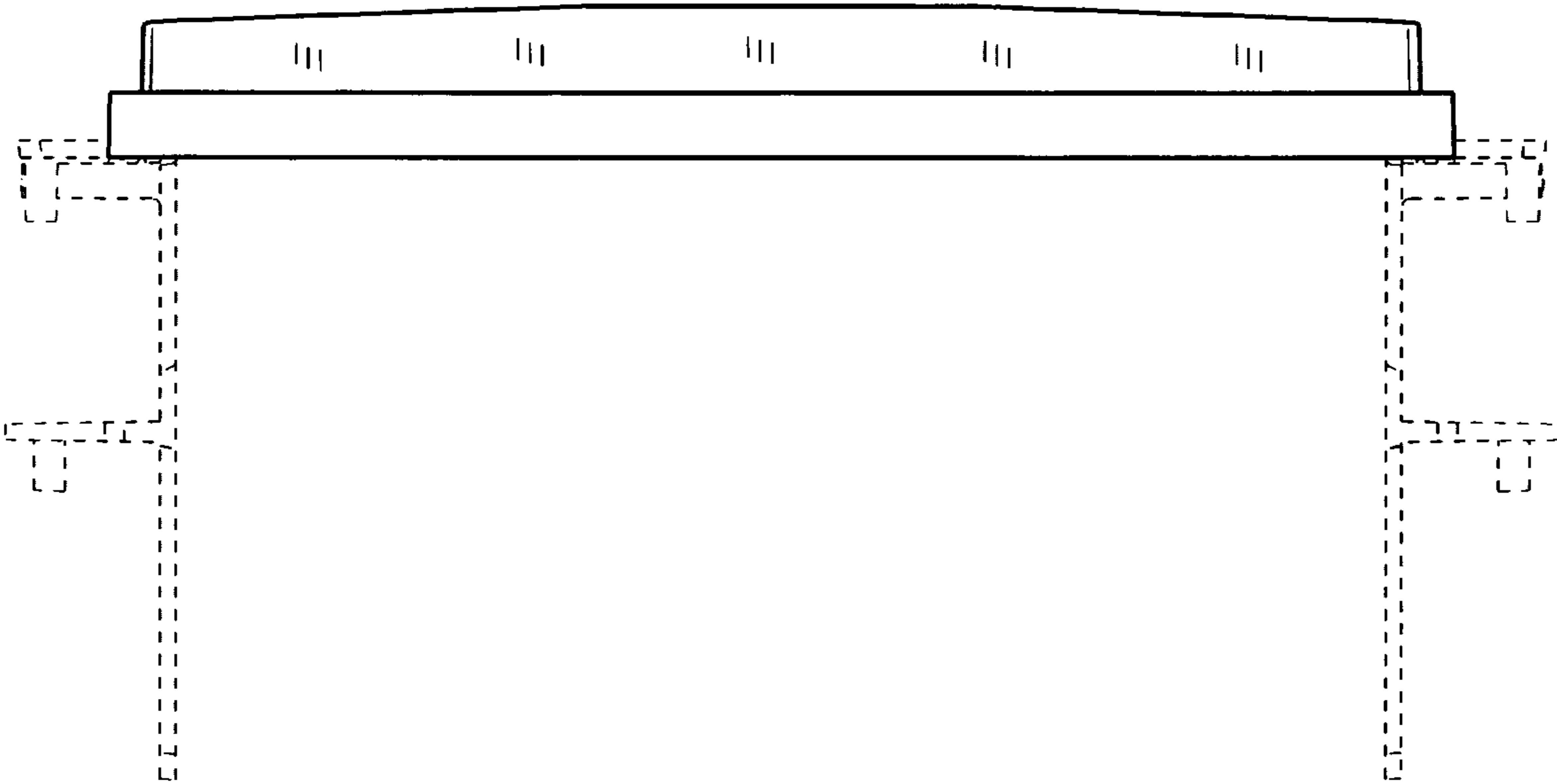


FIG. 7