

US00D602010S

(12) **United States Design Patent**
Yakubo

(10) **Patent No.:** **US D602,010 S**
(45) **Date of Patent:** **** Oct. 13, 2009**

(54) **ANTENNA**

(75) Inventor: **Yuto Yakubo**, Kanagawa (JP)

(73) Assignee: **Semiconductor Energy Laboratory Co., Ltd.**, Kanagawa-Ken (JP)

(**) Term: **14 Years**

(21) Appl. No.: **29/320,778**

(22) Filed: **Jul. 3, 2008**

(30) **Foreign Application Priority Data**

Jan. 24, 2008 (JP) 2008-001333

(51) **LOC (9) Cl.** **14-03**

(52) **U.S. Cl.** **D14/230**

(58) **Field of Classification Search** D14/138,
D14/230-238, 299, 358, 437; D12/42, 43;
343/700 MS, 700 R-705, 711-713, 741,
343/748, 767, 795, 819, 840, 846, 866, 871-908;
455/90.2, 90.3, 91, 128, 269, 344, 347, 562.1
See application file for complete search history.

(56) **References Cited**

U.S. PATENT DOCUMENTS

D581,400 S * 11/2008 Montgomery D14/230
D585,054 S * 1/2009 Hsiao et al. D14/230
2005/0024287 A1 * 2/2005 Jo et al. 343/822
2005/0231434 A1 * 10/2005 Azadegan et al. 343/767
2006/0208900 A1 * 9/2006 Tavassoli Hozouri 340/572.7

2007/0024503 A1 * 2/2007 Tsai et al. 343/700 MS
2007/0096993 A1 * 5/2007 Tikhov et al. 343/700 MS
2007/0279231 A1 * 12/2007 Cheng et al. 340/572.7
2008/0007463 A1 * 1/2008 Chen 343/702
2008/0204329 A1 * 8/2008 Taki et al. 343/700 MS

* cited by examiner

Primary Examiner—T. Chase Nelson
Assistant Examiner—John Windmuller

(74) *Attorney, Agent, or Firm*—Nixon Peabody LLP; Jeffrey L. Costellia

(57) **CLAIM**

I claim, the ornamental design for an antenna, as shown and described.

DESCRIPTION

The antenna is used in the state in which the antenna is affixed to a semiconductor device such as an IC chip.

FIG. 1 is a top plan view;

FIG. 2 is a bottom plan view;

FIG. 3 is the front elevational view;

FIG. 4 is the right side elevational view;

FIG. 5 is a perspective view showing a top side, a front side, and a right side thereof; and,

FIG. 6 is a perspective view showing a bottom side, a rear side, and a left side thereof.

1 Claim, 6 Drawing Sheets

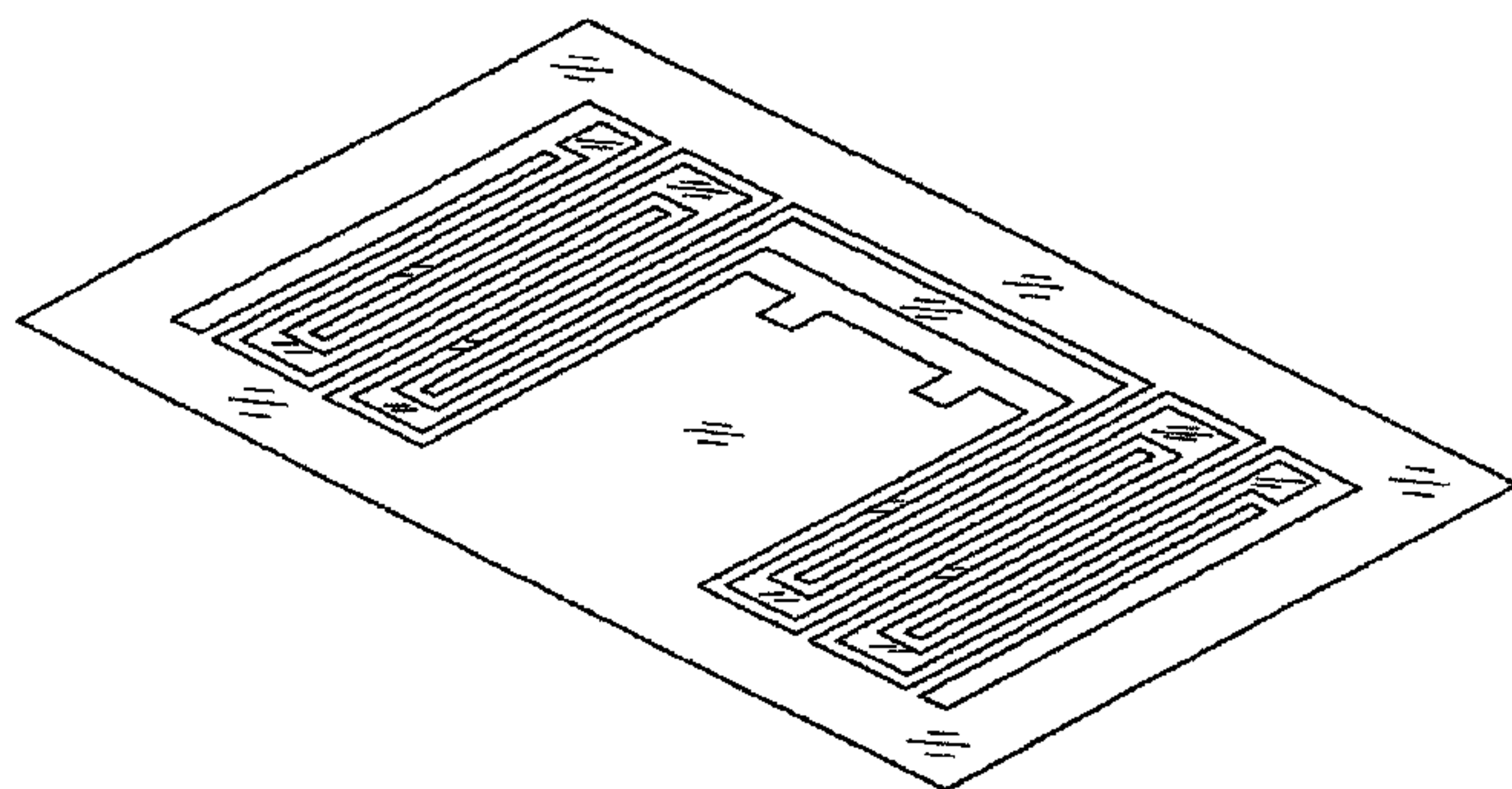
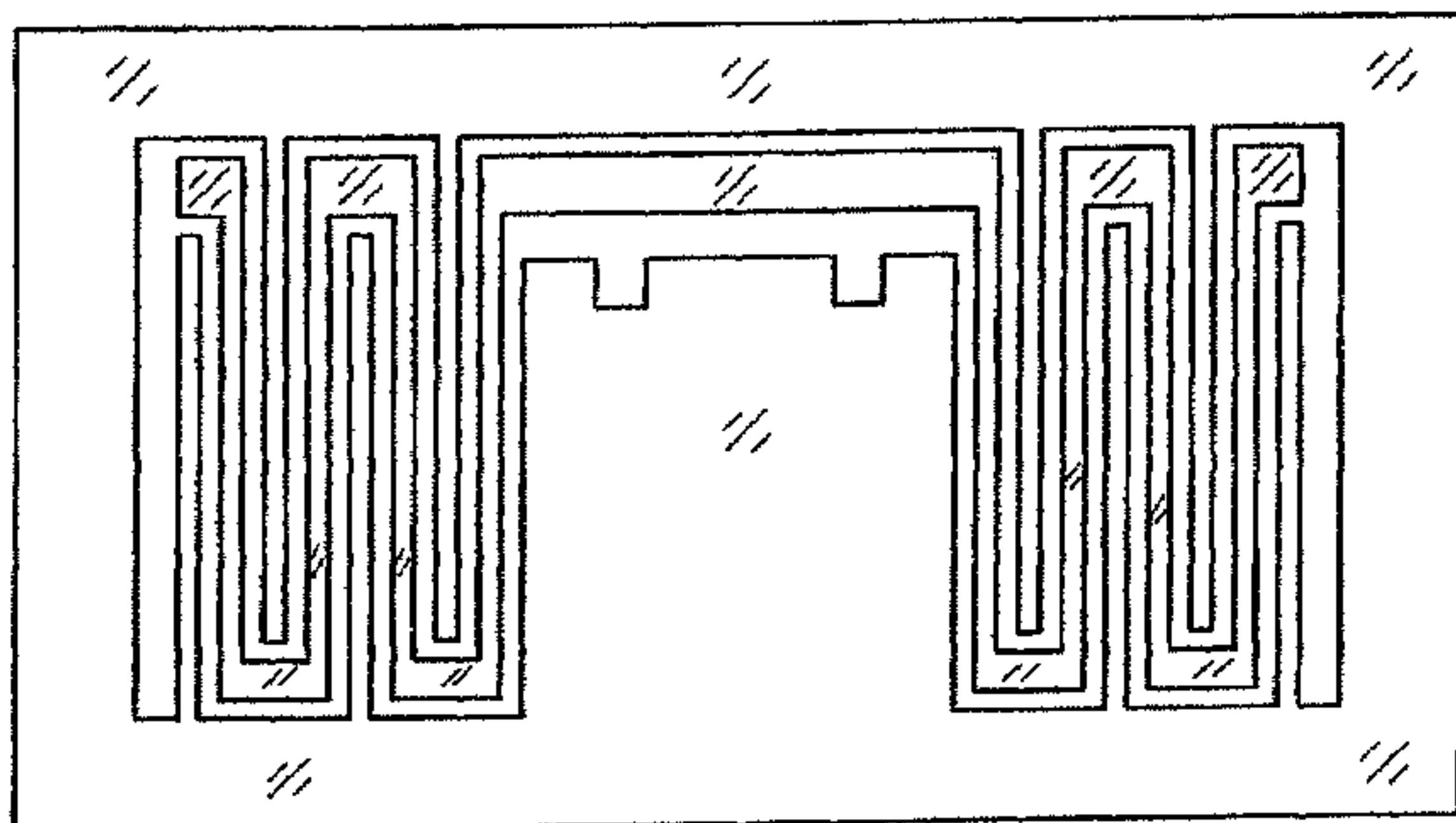


Fig. 1

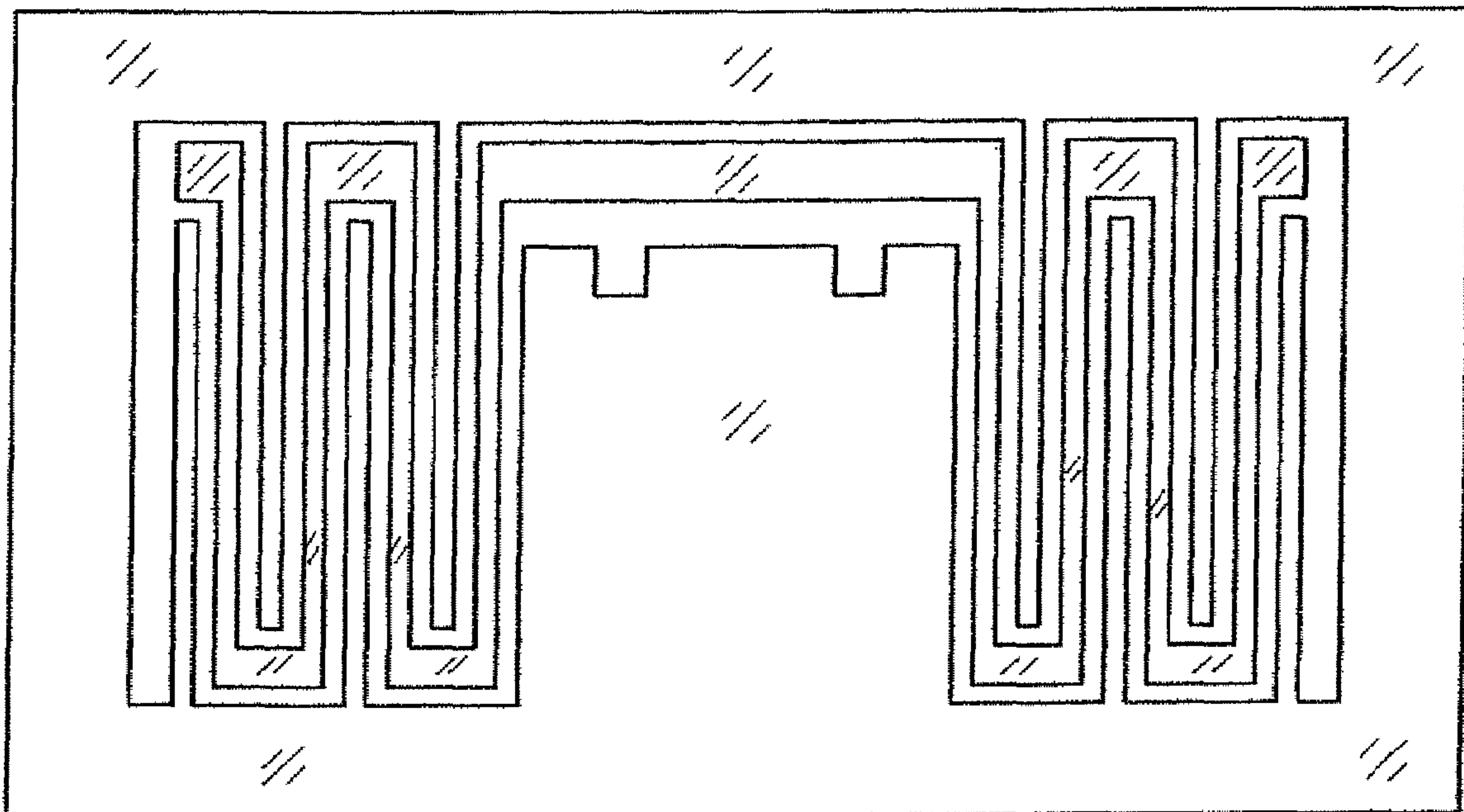


Fig. 2

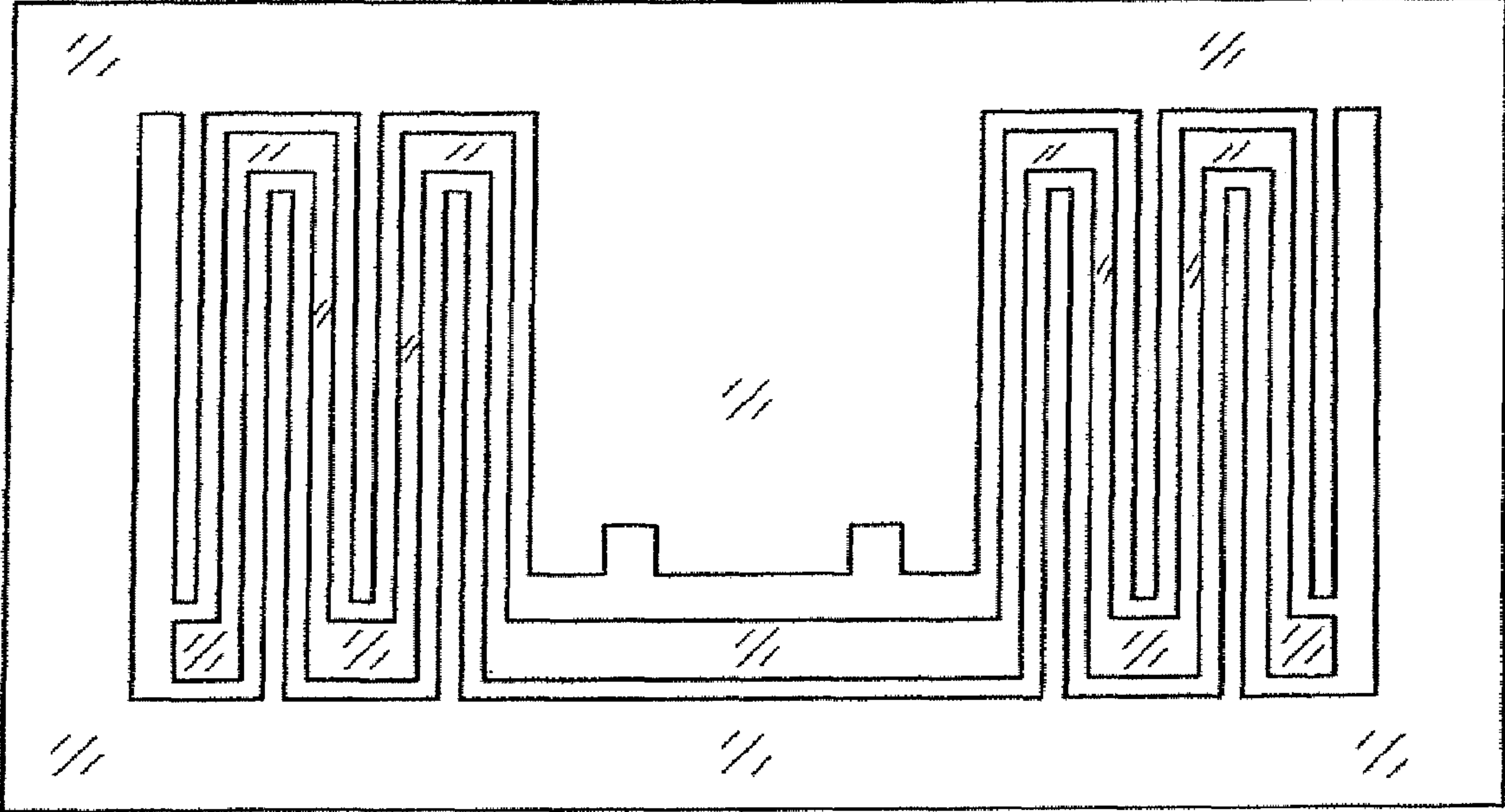


Fig. 3



Fig. 4



Fig. 5

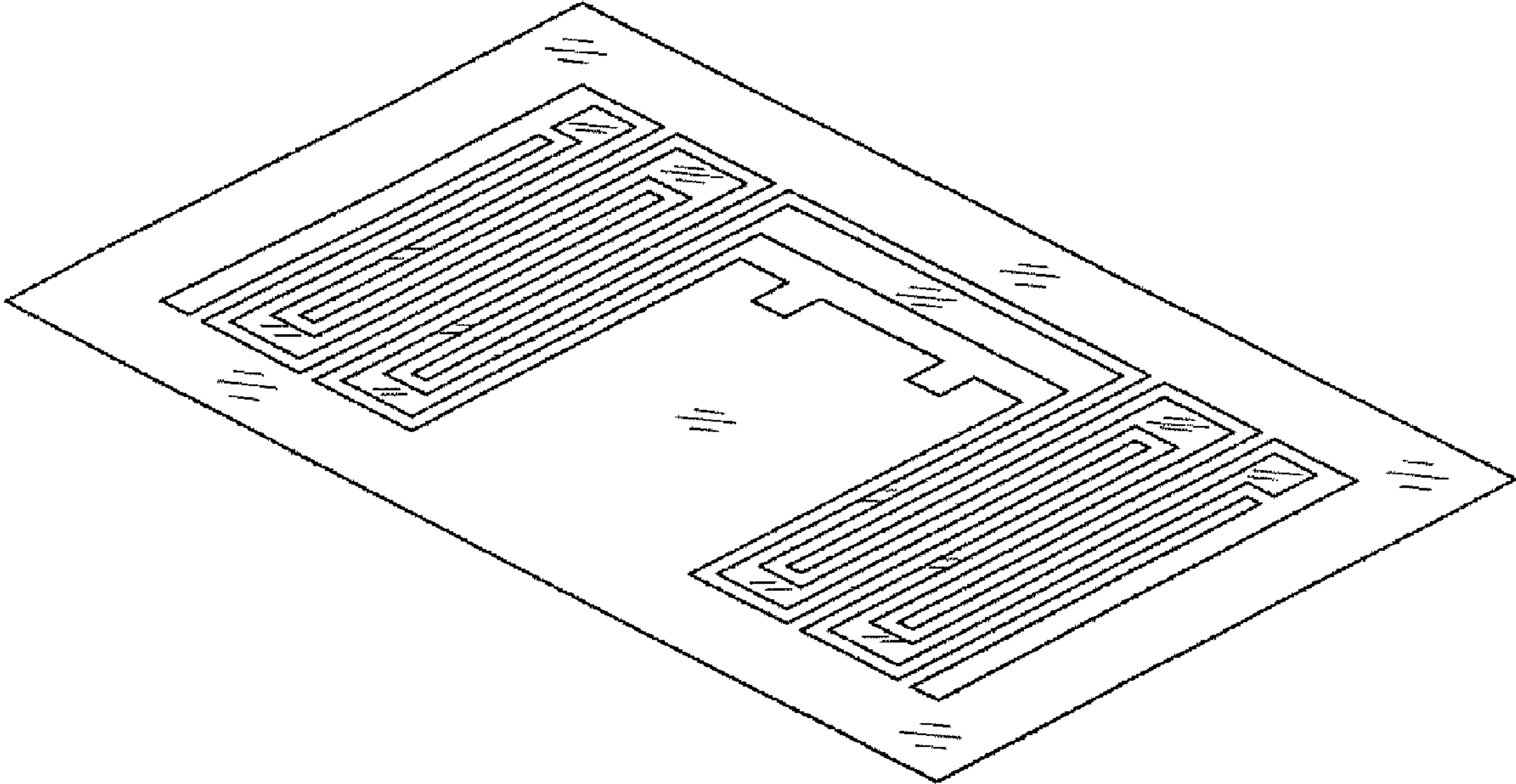


Fig. 6

