



US00D602008S

(12) **United States Design Patent**  
**Bentley et al.**

(10) **Patent No.:** **US D602,008 S**  
(45) **Date of Patent:** **\*\* Oct. 13, 2009**

(54) **BASE CRADLE FOR A COMMUNICATIONS HEADSET**

(75) Inventors: **Matt Bentley**, Scotts Valley, CA (US);  
**Soo Hyun Ham**, San Francisco, CA (US)

(73) Assignee: **Plantronics, Inc.**, Santa Cruz, CA (US)

(\*\*) Term: **14 Years**

(21) Appl. No.: **29/291,118**

(22) Filed: **Aug. 14, 2007**

(51) **LOC (9) Cl.** ..... **14-01**

(52) **U.S. Cl.** ..... **D14/224; D14/205**

(58) **Field of Classification Search** ..... D14/205,  
D14/206, 223, 142, 147, 148, 149, 150, 137,  
D14/138, 191, 217, 224, 251, 253; D13/170,  
D13/108, 110; 181/129-130, 135; 320/110,  
320/111, 113; 379/430-431, 450, 454, 455,  
379/420.01-420.04; 455/446, 447, 569.1,  
455/573, 575.9; D10/106

See application file for complete search history.

(56) **References Cited**

**U.S. PATENT DOCUMENTS**

D250,108 S *	10/1978	Genaro et al.	.....	D14/149
D291,990 S *	9/1987	Lee	.....	D14/143
D463,781 S *	10/2002	Faerber et al.	.....	D14/149
D478,902 S *	8/2003	Hemer	.....	D14/240
D496,029 S *	9/2004	Skulley et al.	.....	D14/224
D512,984 S *	12/2005	Ham	.....	D14/205
D515,062 S *	2/2006	Winebrenner et al.	.....	D14/149
D519,975 S *	5/2006	Skulley et al.	.....	D14/149
D523,412 S *	6/2006	Ham	.....	D14/149
D526,641 S *	8/2006	Ham	.....	D14/205
D535,615 S *	1/2007	Iwai	.....	D13/108
D535,987 S *	1/2007	Kettula et al.	.....	D14/253
D541,741 S *	5/2007	Yosef et al.	.....	D13/110
D549,646 S *	8/2007	Sade et al.	.....	D13/108
D549,647 S *	8/2007	Nishizawa	.....	D13/108

D551,216 S *	9/2007	Wei	.....	D14/223
D551,658 S *	9/2007	Hussaini et al.	.....	D14/217
D553,122 S *	10/2007	Solland	.....	D14/217
D553,123 S *	10/2007	Solland	.....	D14/217
D554,108 S *	10/2007	Solland	.....	D14/217
D554,115 S *	10/2007	Liu et al.	.....	D14/253
D554,116 S *	10/2007	Liu et al.	.....	D14/253
D558,193 S *	12/2007	Ju	.....	D14/253
D558,739 S *	1/2008	Andre et al.	.....	D14/217
D560,206 S *	1/2008	Hermansen	.....	D14/206
D564,501 S *	3/2008	Rath	.....	D14/224
D564,959 S *	3/2008	Heine et al.	.....	D13/107
D565,034 S *	3/2008	Brennwald	.....	D14/224
D569,372 S *	5/2008	Brennwald	.....	D14/224
D582,901 S *	12/2008	Bentley et al.	.....	D14/224
D589,031 S *	3/2009	Bentley et al.	.....	D14/224
D593,998 S *	6/2009	Bentley et al.	.....	D14/224

\* cited by examiner

*Primary Examiner*—Paula Greene

(74) *Attorney, Agent, or Firm*—Michael D. Rodriguez

(57) **CLAIM**

The ornamental design for a base cradle for a communications headset, as shown and described.

**DESCRIPTION**

FIG. 1 is front-top-right perspective view of a base cradle for a communications headset showing our new design;

FIG. 2 is a front view thereof;

FIG. 3 is a back view thereof;

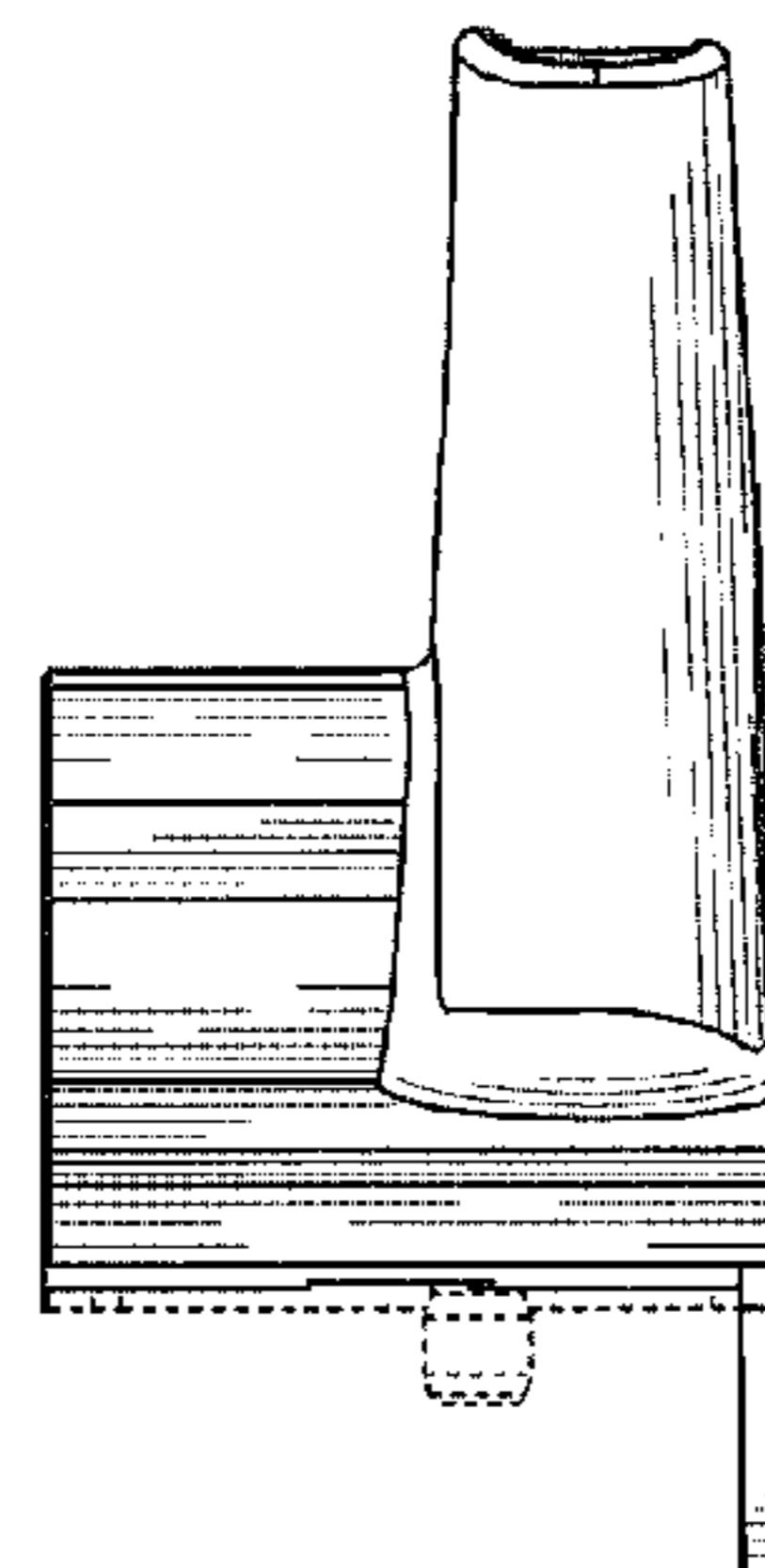
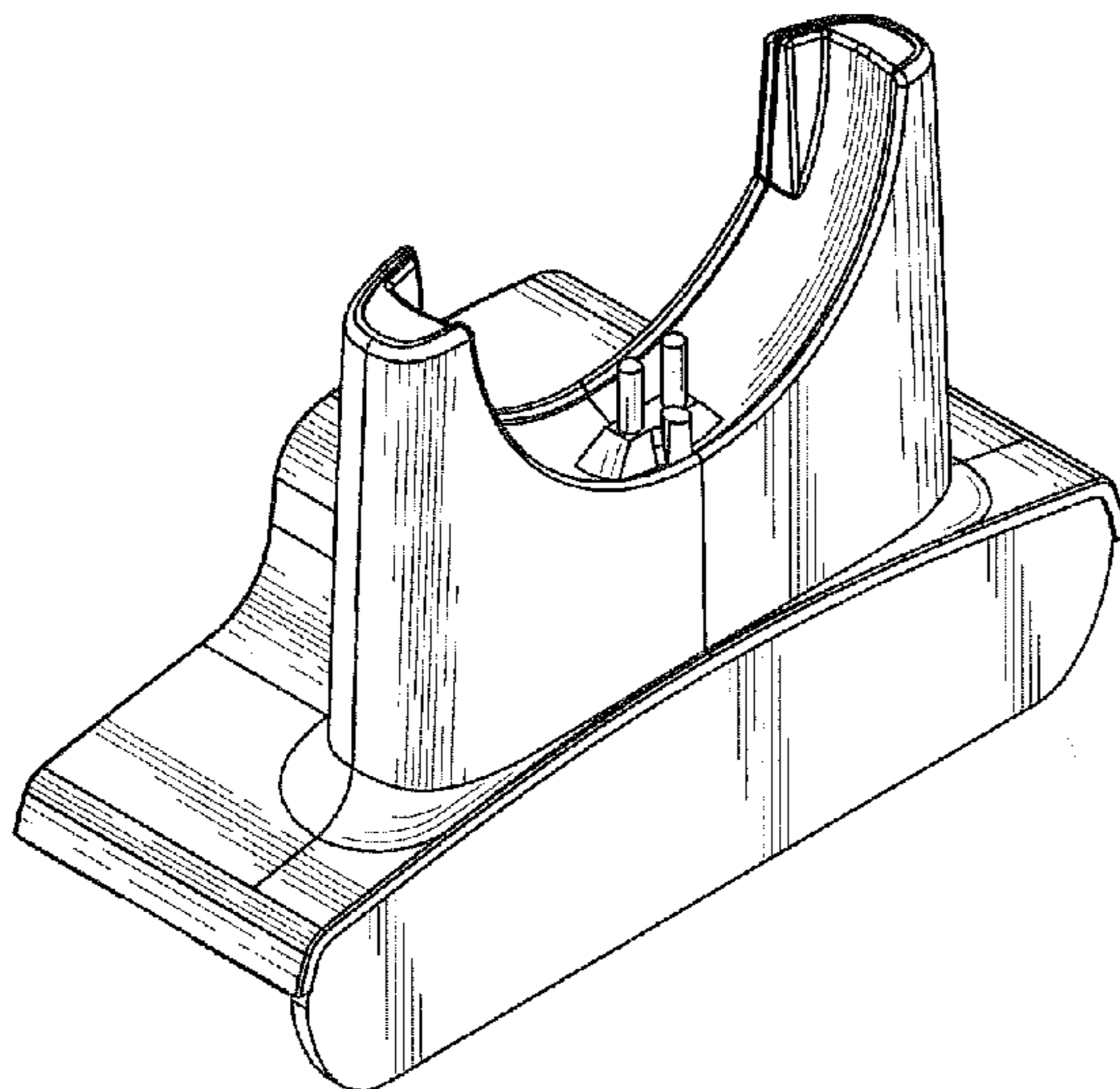
FIG. 4 is a left side view thereof;

FIG. 5 is a right side view thereof; and,

FIG. 6 is a top plan view thereof, the bottom is not part of the claimed design.

The broken line showing of the unclaimed environment forms no part of the claimed design.

**1 Claim, 3 Drawing Sheets**



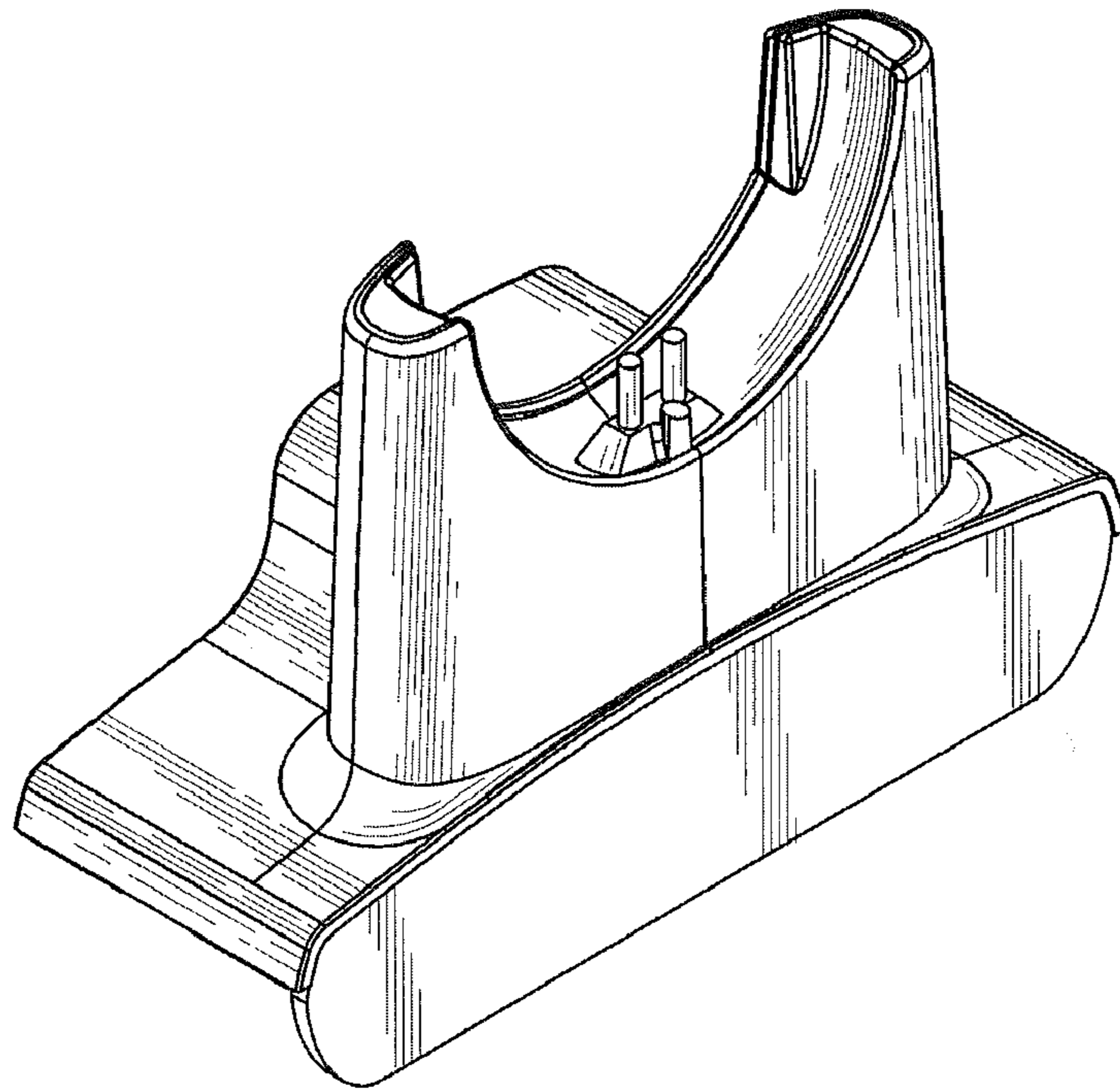


FIG. 1

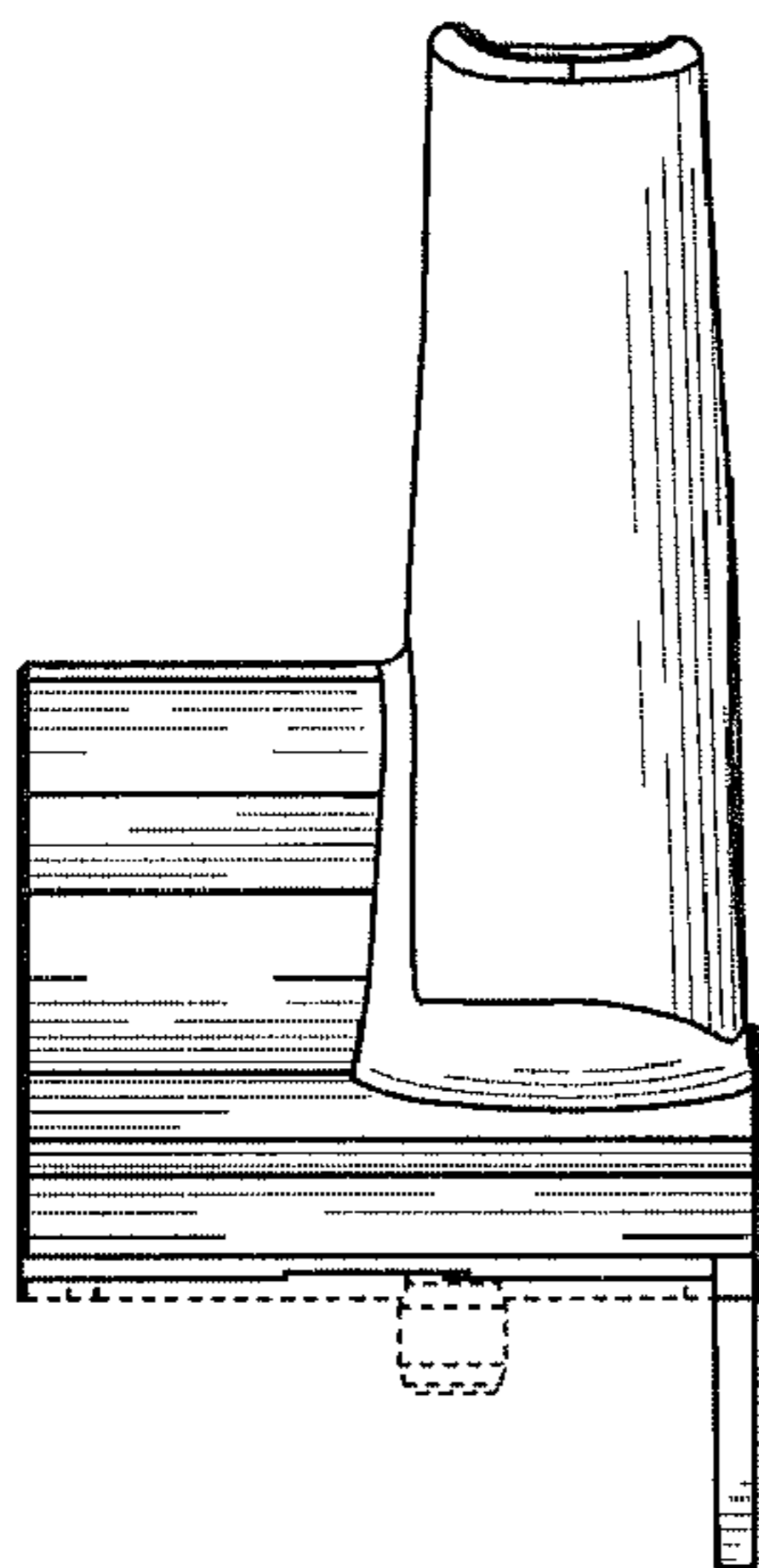


FIG. 2

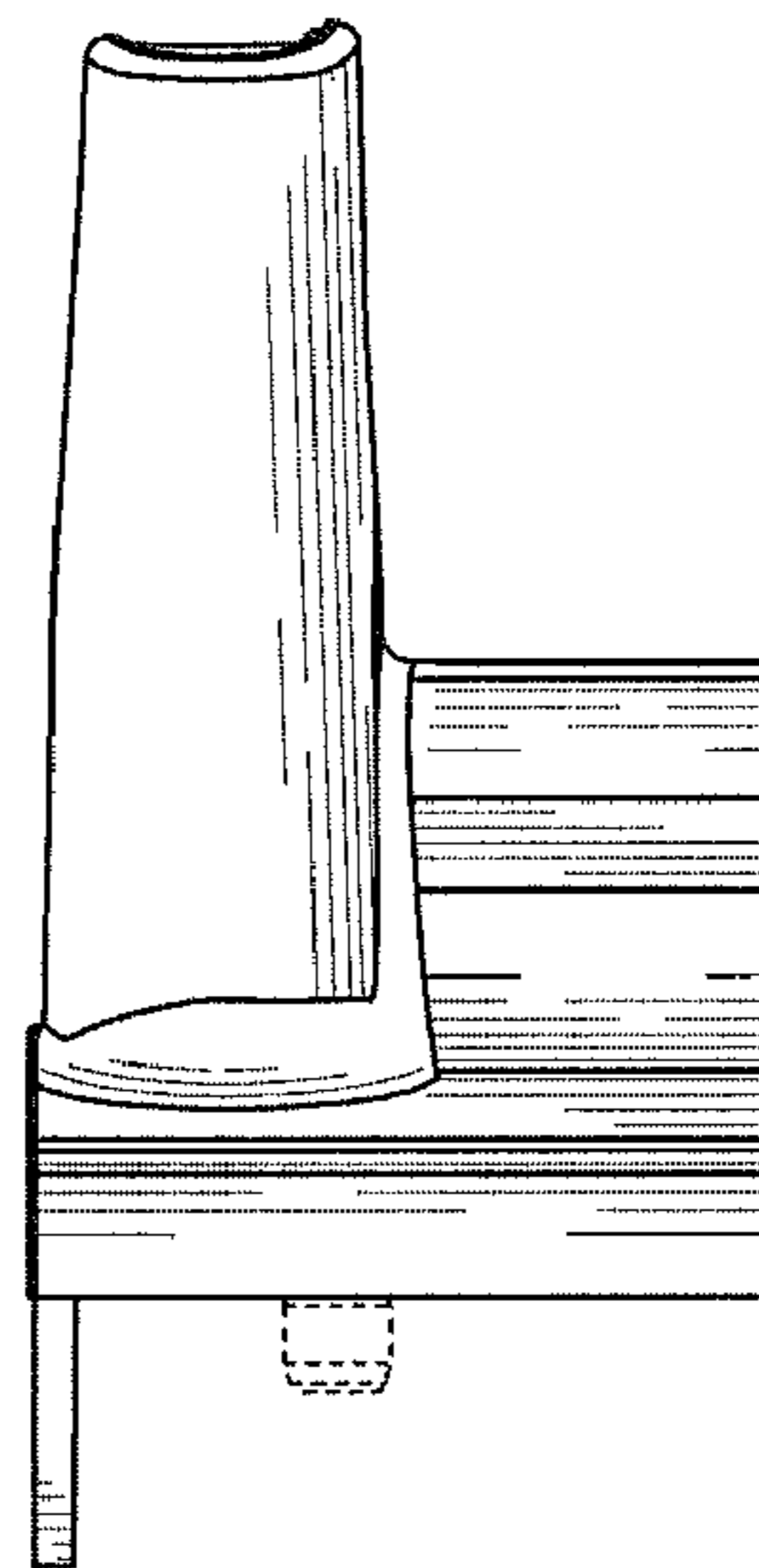
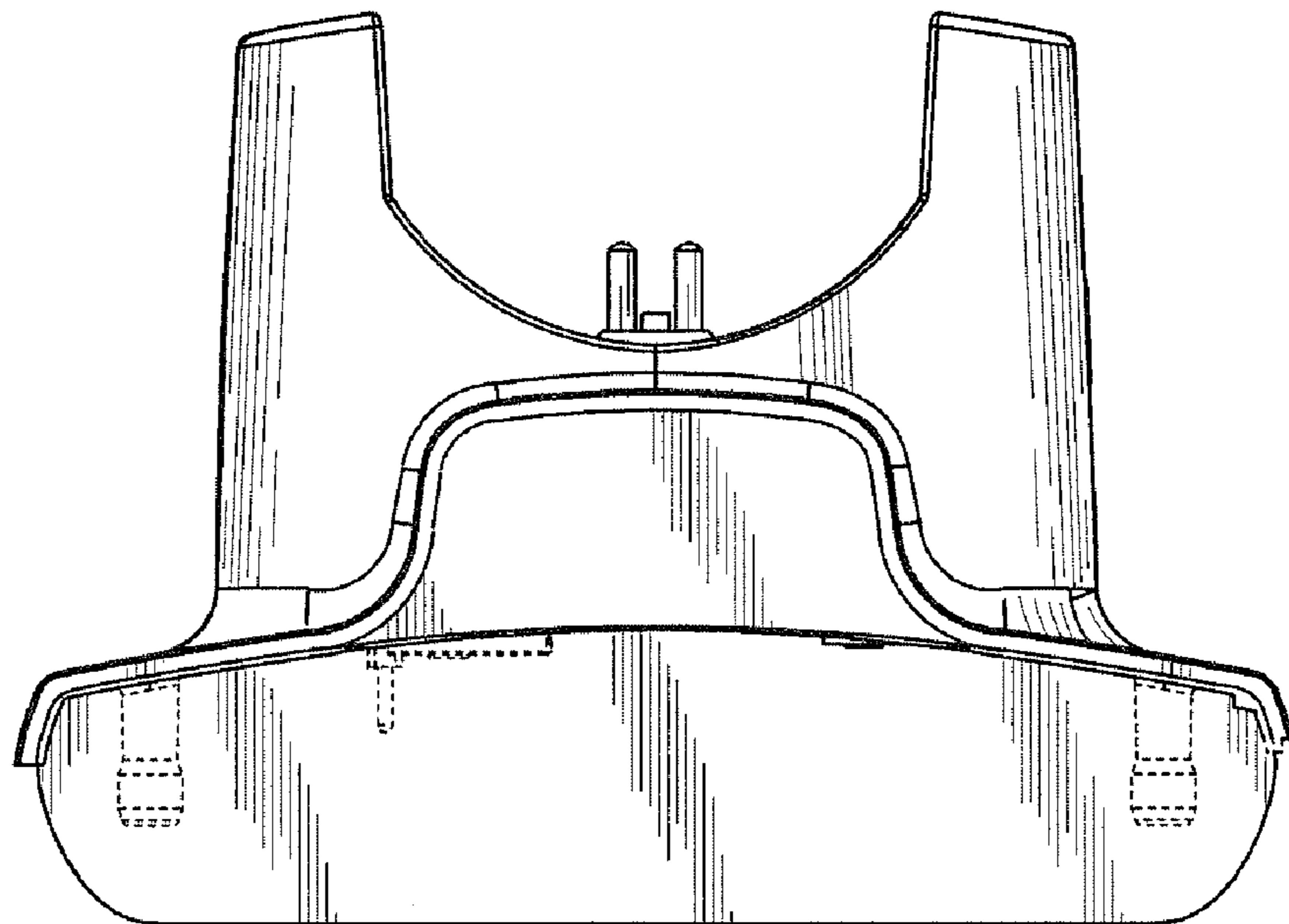
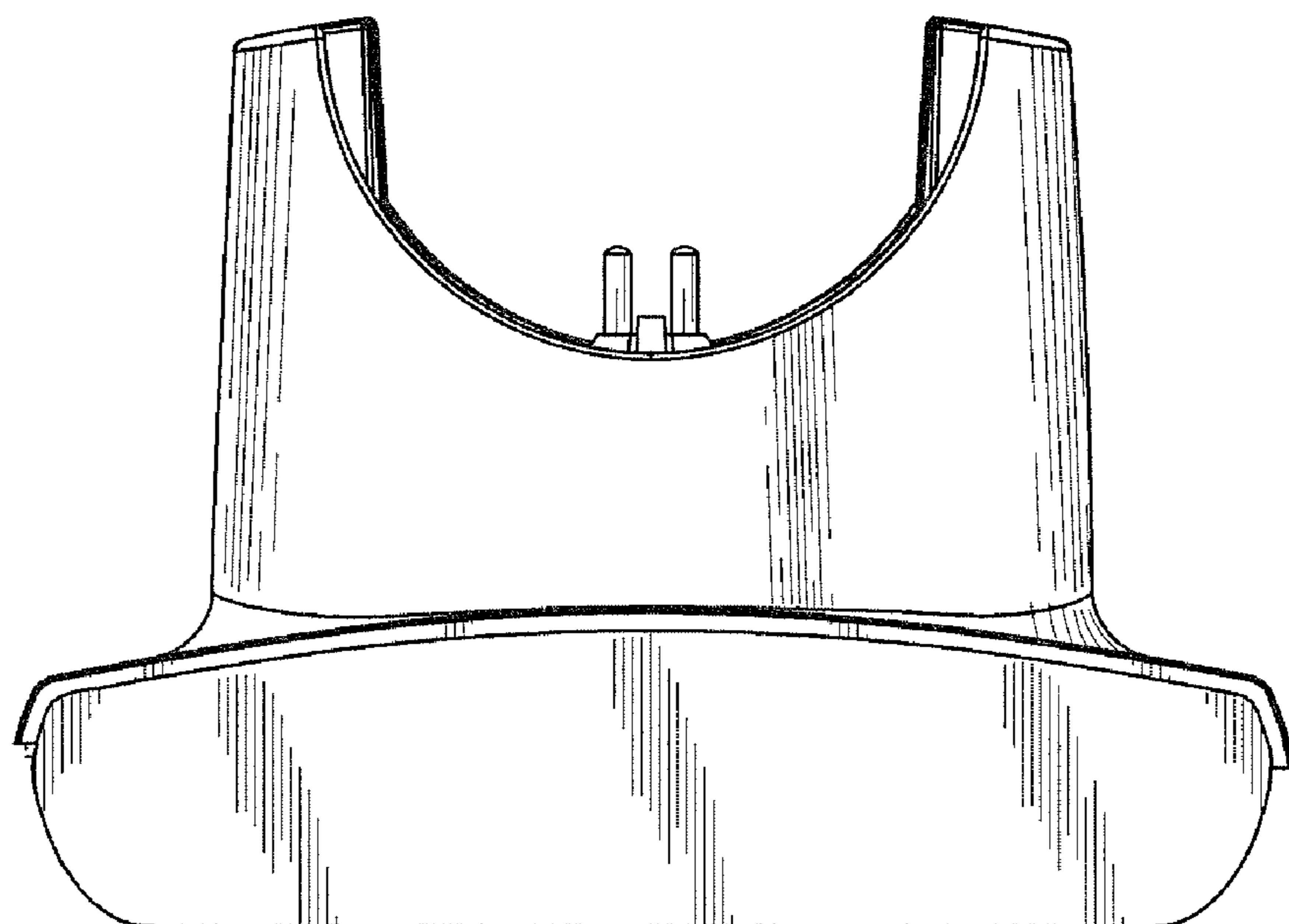


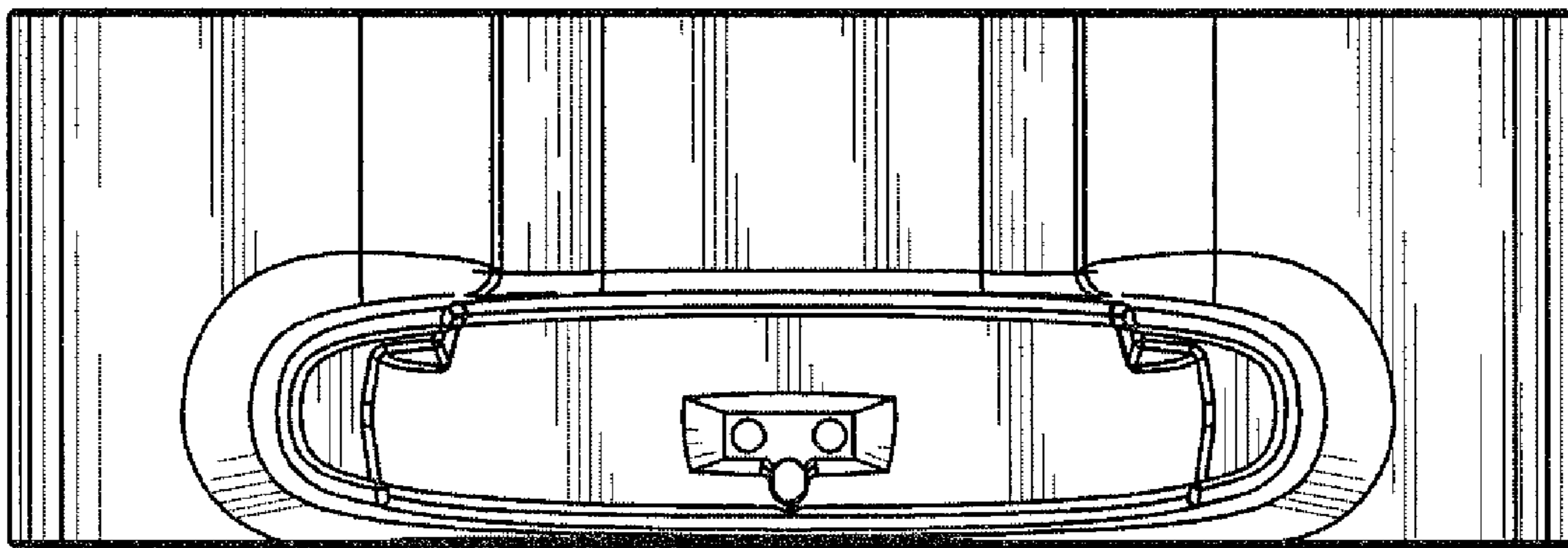
FIG. 3



**FIG. 4**



**FIG. 5**



**FIG. 6**