



US00D602006S

(12) **United States Design Patent**
Kim et al.

(10) **Patent No.:** **US D602,006 S**
(45) **Date of Patent:** **** Oct. 13, 2009**

(54) **WIRELESS HEADSET**

(75) Inventors: **Jin-Nam Kim**, Suwon-si (KR); **Chol-Ho Hwang**, Yongin-si (KR); **Chang-Hwan Hwang**, Goyang-si (KR)

(73) Assignee: **Samsung Electronics Co., Ltd.**, Suwon-Si (KR)

(**) Term: **14 Years**

(21) Appl. No.: **29/331,249**

(22) Filed: **Jan. 22, 2009**

(51) **LOC (9) Cl.** **14-01**

(52) **U.S. Cl.** **D14/223**

(58) **Field of Classification Search** D14/205, D14/206, 223, 218, 138 R; D13/168; 181/129, 181/130; 379/430, 433.01; 381/380, 381, 381/370; 455/90.2, 90.3, 575.1, 575.2; 361/752
See application file for complete search history.

(56) **References Cited**

U.S. PATENT DOCUMENTS

D290,356 S	*	6/1987	Fisher	D14/191
D306,853 S	*	3/1990	Mayo et al.	D13/168
4,912,602 A	*	3/1990	Zurek et al.	361/752
D533,540 S	*	12/2006	Murray	D14/205
D550,215 S	*	9/2007	Udagawa et al.	D14/223

D553,613 S	*	10/2007	Sade et al.	D14/223
D555,150 S	*	11/2007	Christopher et al.	D14/223
D566,692 S	*	4/2008	Sade et al.	D14/223
D573,140 S	*	7/2008	Tsai et al.	D14/223
D579,925 S	*	11/2008	Jaakkola et al.	D14/223
D582,897 S	*	12/2008	Christopher et al.	D14/223
D588,113 S	*	3/2009	Bradford	D14/223
D592,190 S	*	5/2009	Birger	D14/223

* cited by examiner

Primary Examiner—Paula Greene

(74) *Attorney, Agent, or Firm*—Staas & Halsey LLP

(57) **CLAIM**

The ornamental design for a wireless headset, as shown and described.

DESCRIPTION

FIG. 1 is a perspective view of a wireless headset showing our new design;

FIG. 2 is a front elevational view thereof;

FIG. 3 is a rear elevational view thereof;

FIG. 4 is a left side elevational view thereof;

FIG. 5 is a right side elevational view thereof;

FIG. 6 is a top plan view thereof; and,

FIG. 7 is a bottom plan view thereof.

1 Claim, 7 Drawing Sheets

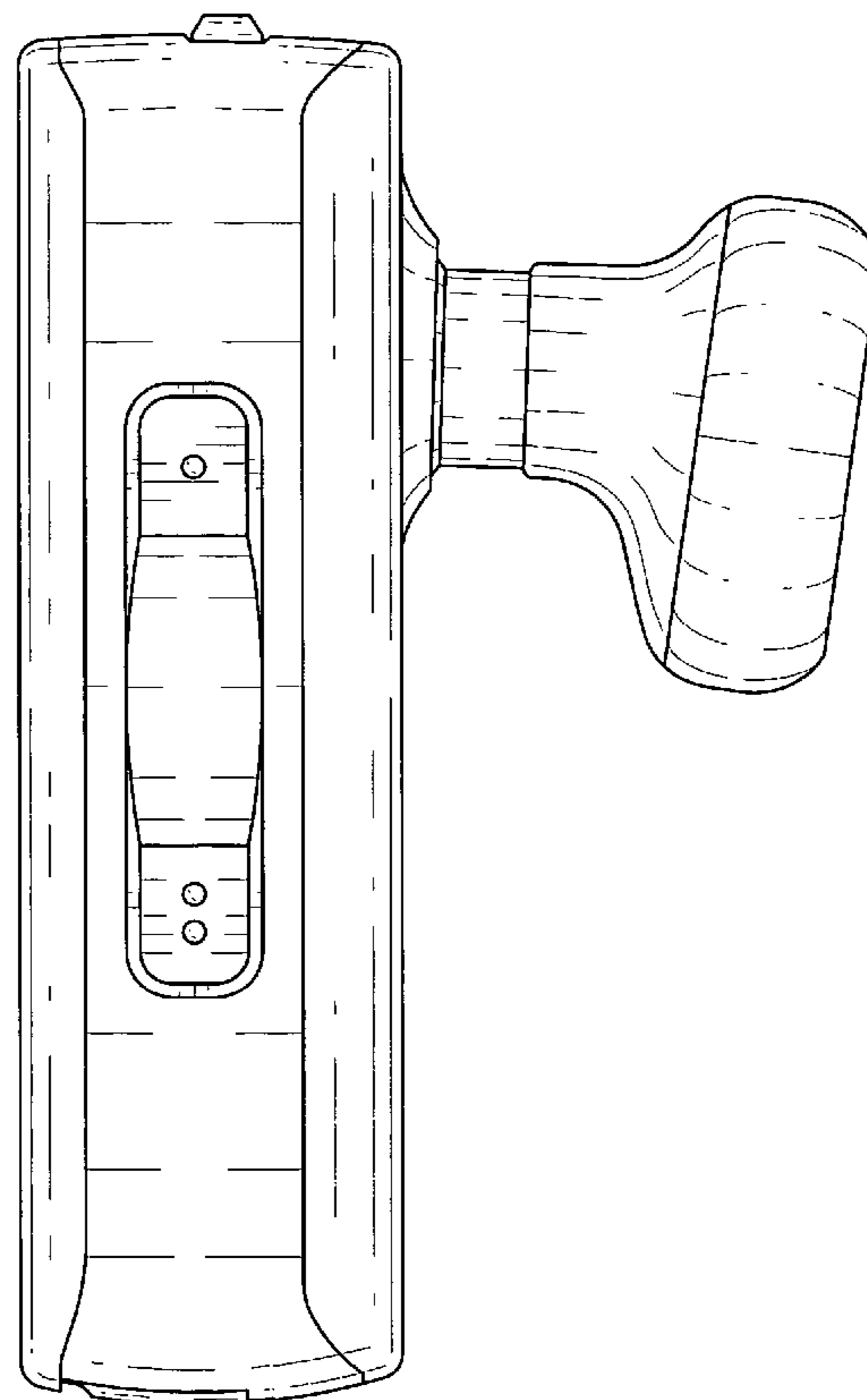
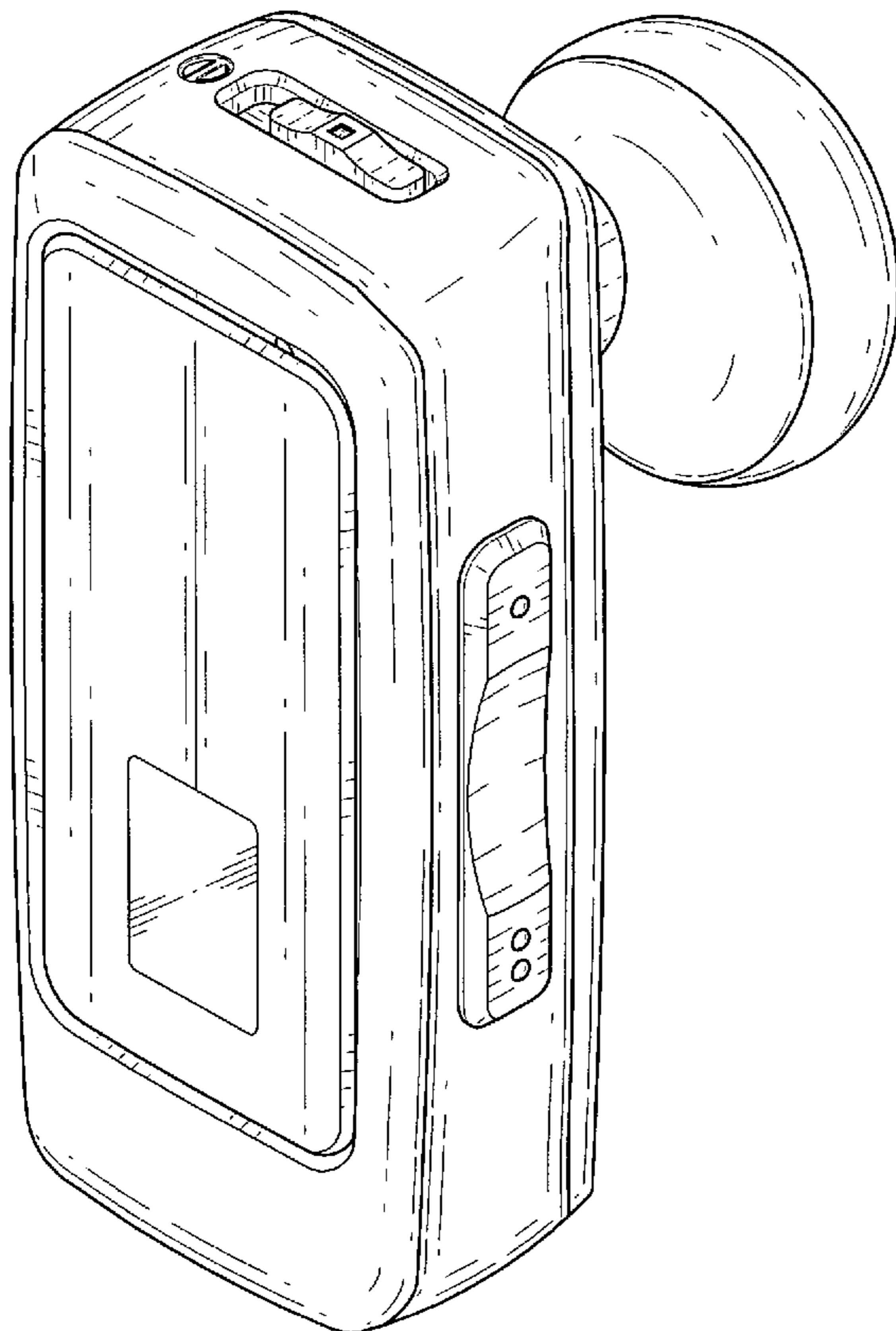


FIG. 1

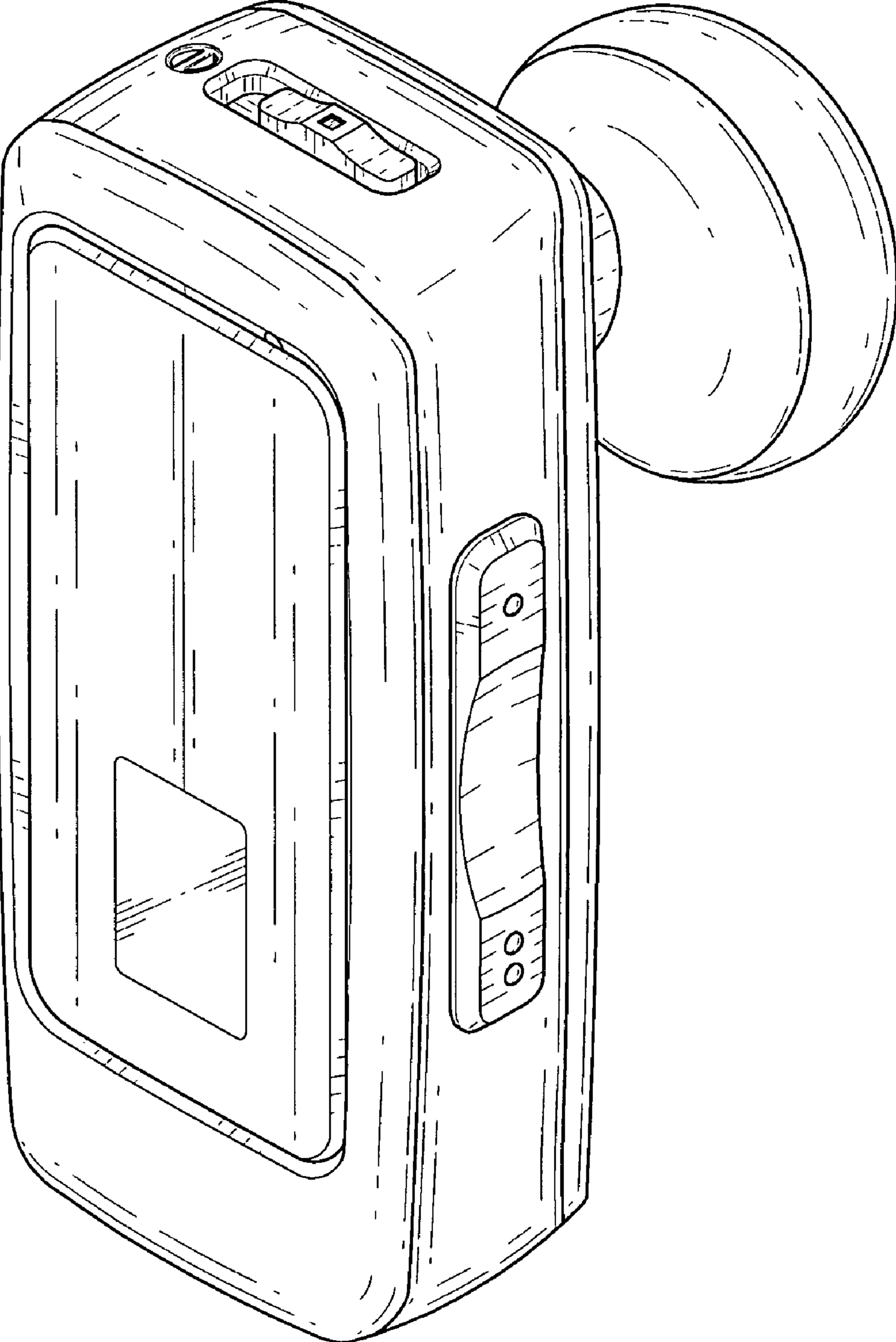


FIG. 2

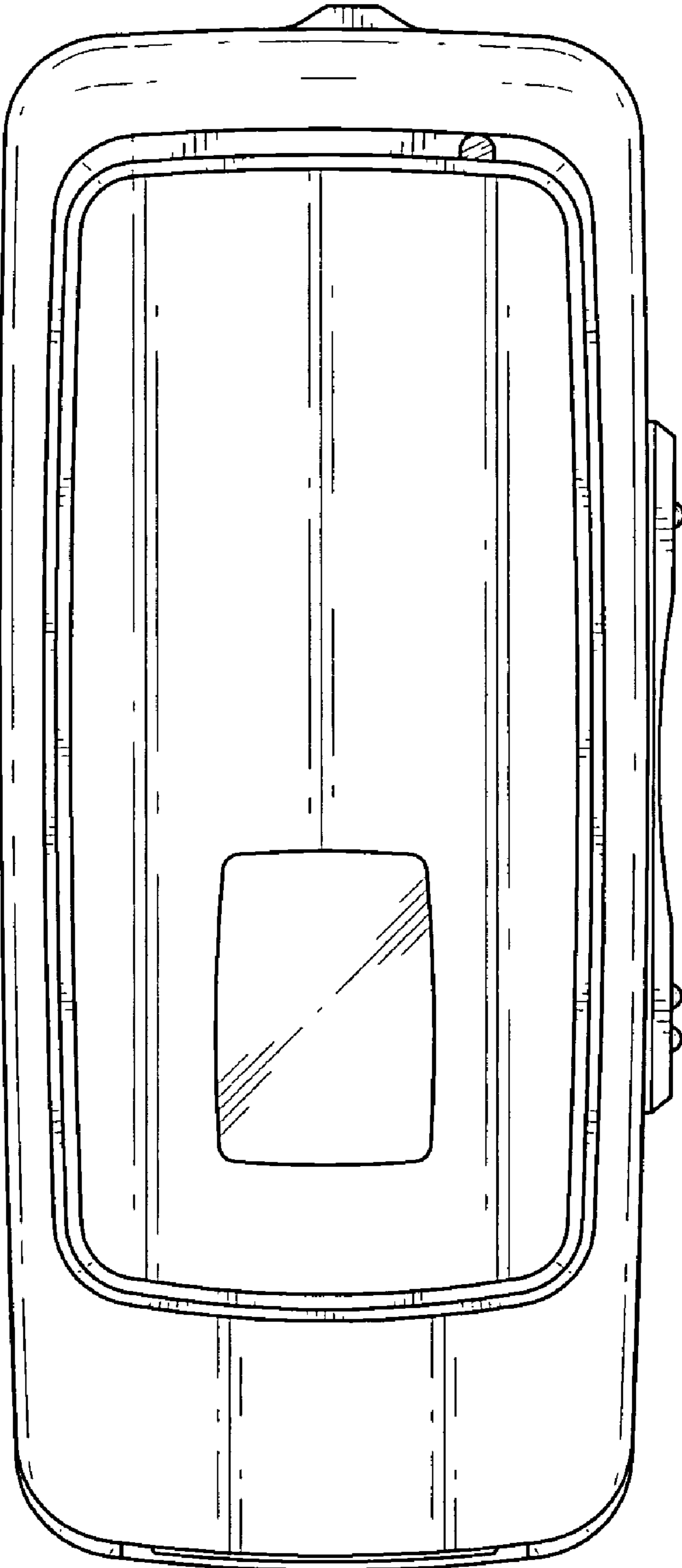


FIG. 3

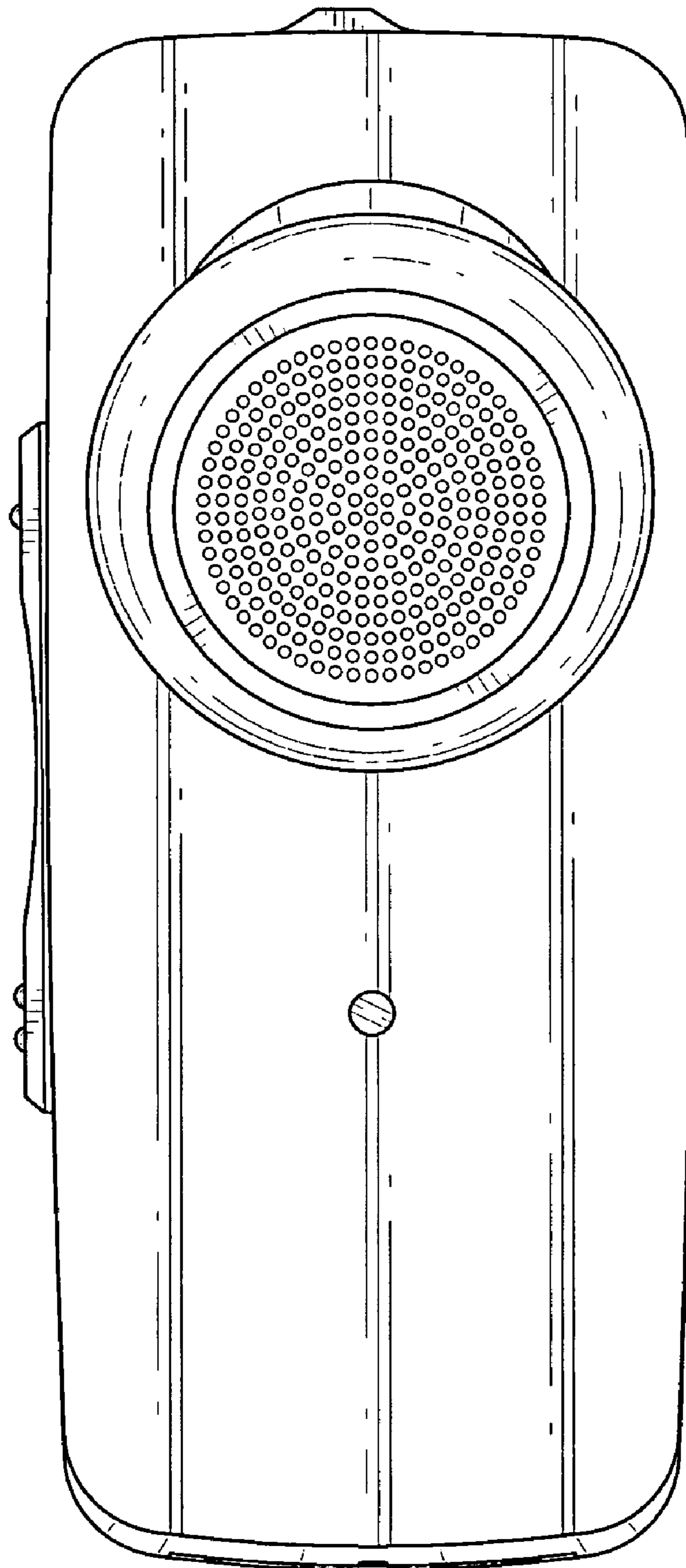


FIG. 4

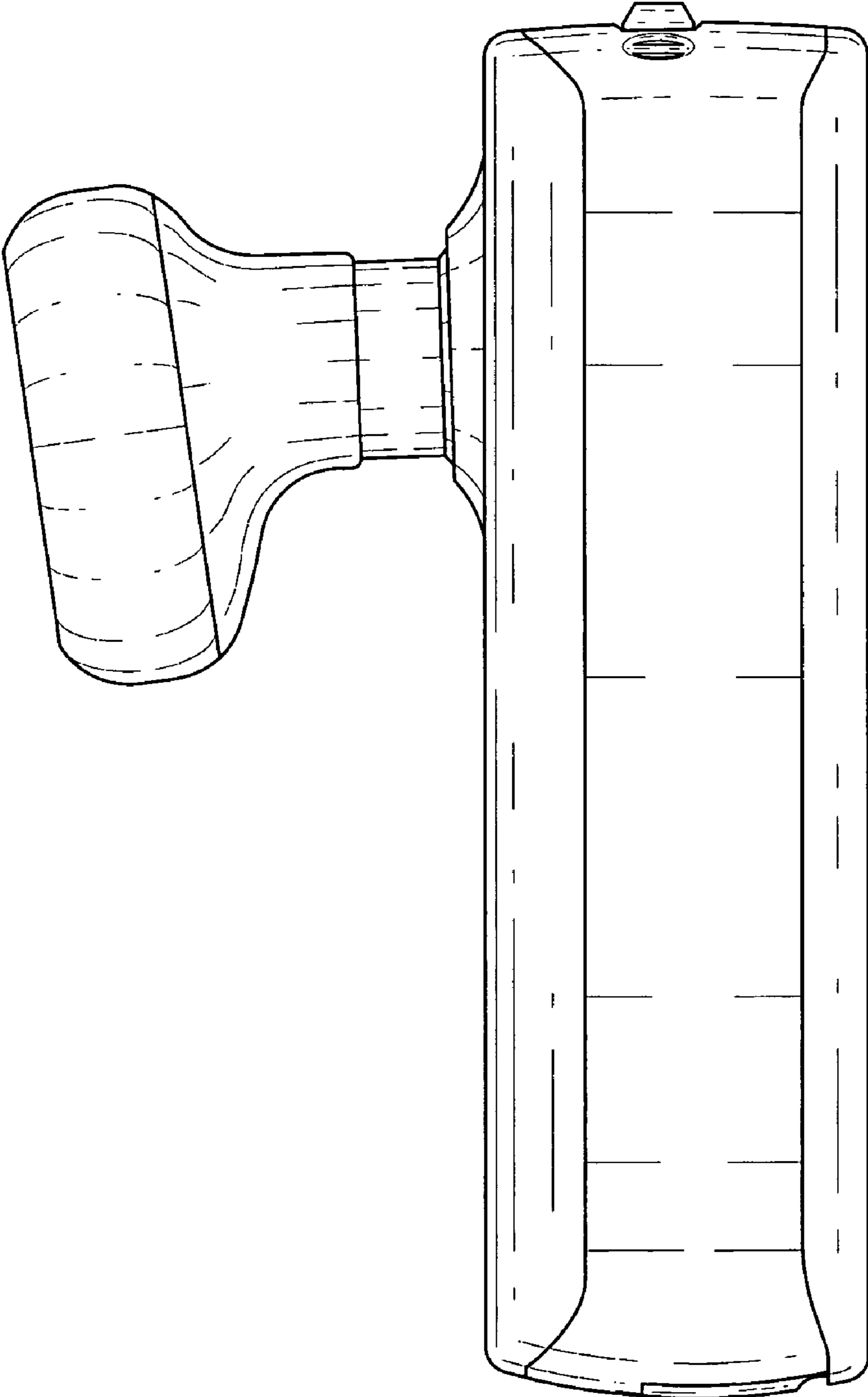


FIG. 5

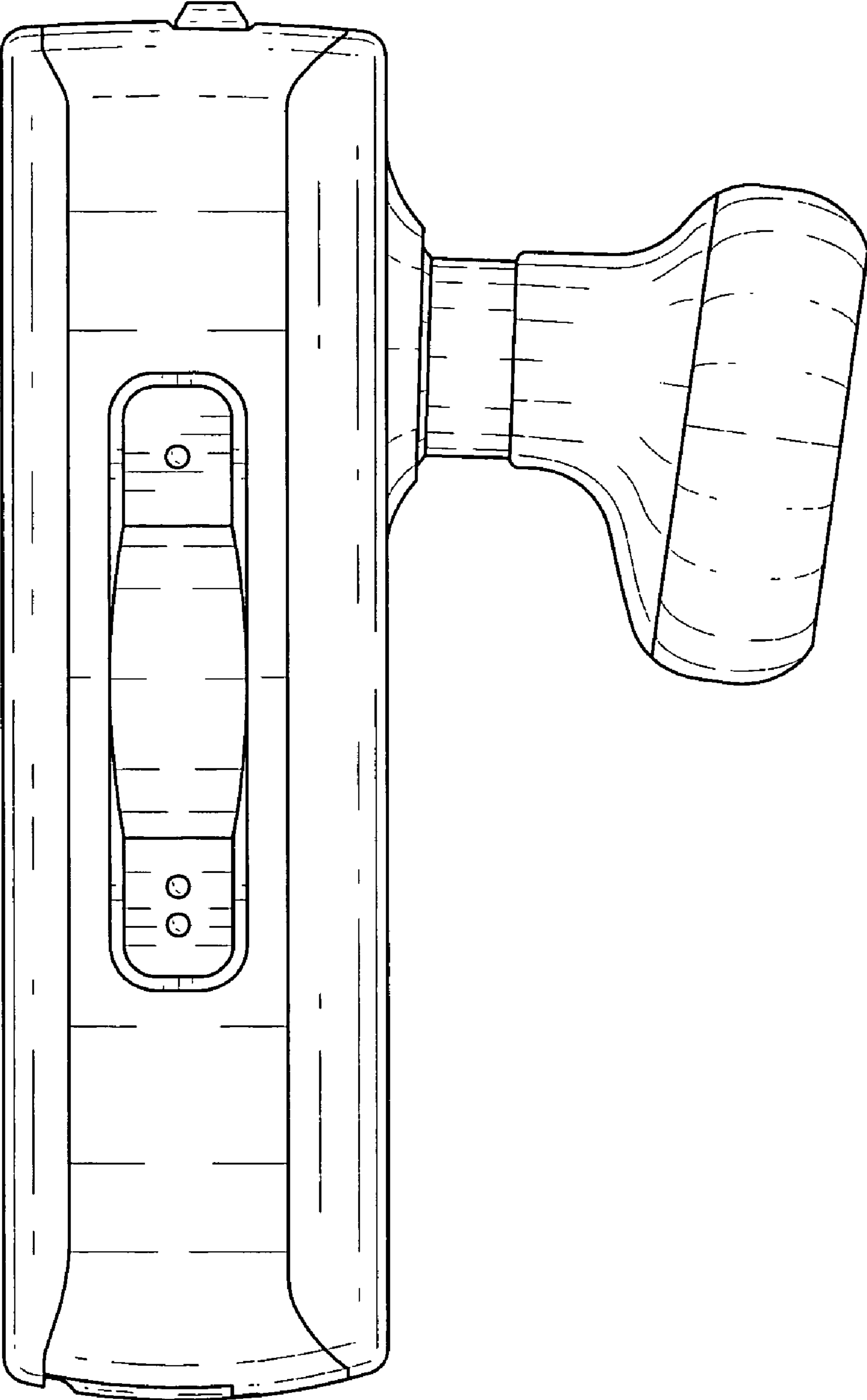


FIG. 6

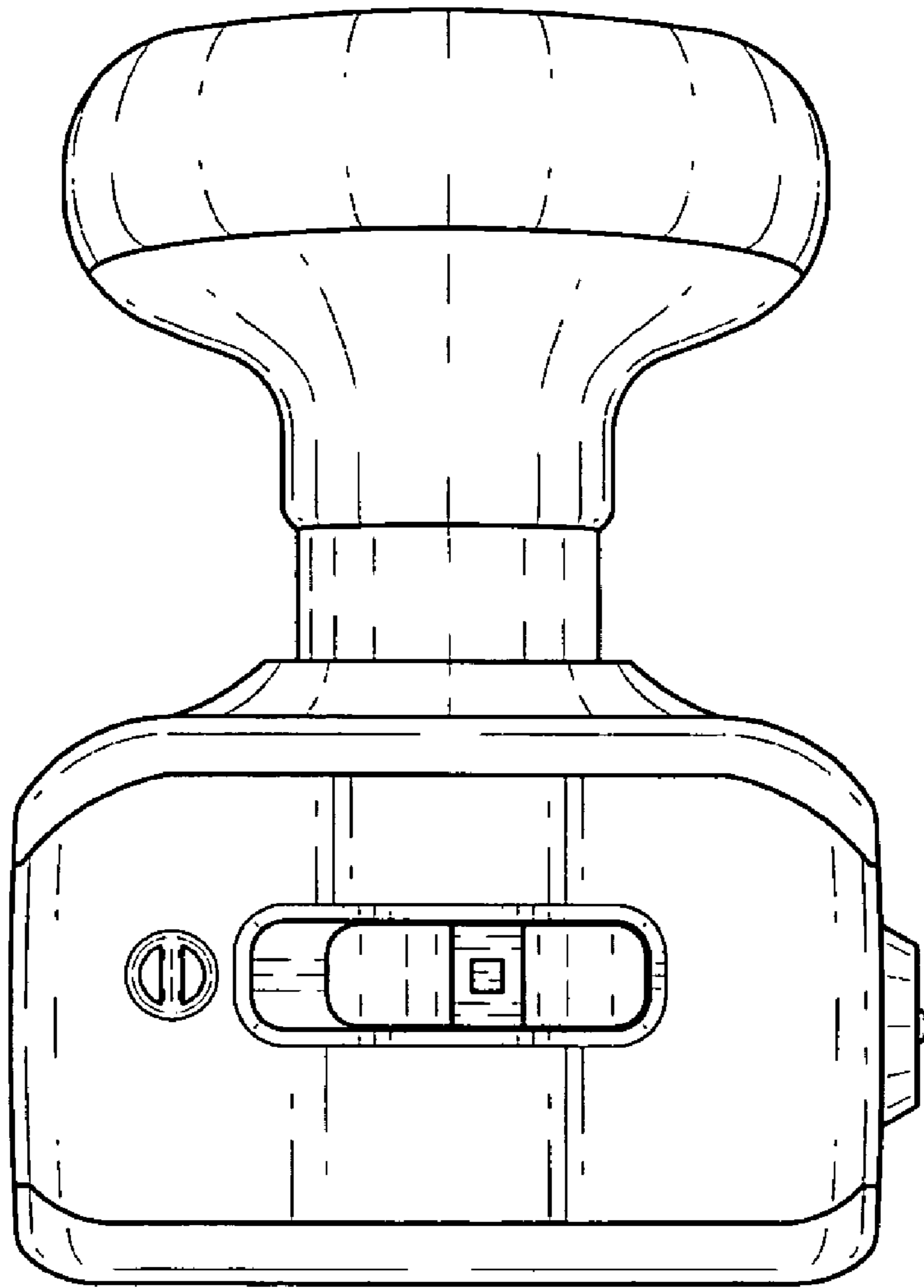


FIG. 7

