



US00D602005S

(12) **United States Design Patent**
Lee et al.

(10) **Patent No.:** **US D602,005 S**
(45) **Date of Patent:** **** Oct. 13, 2009**

(54) **WIRELESS HEADSET**

(75) Inventors: **Sung-Ho Lee**, Seoul (KR); **Chol-Ho Hwang**, Yongin-si (KR); **Chang-Hwan Hwang**, Goyang (KR)

(73) Assignee: **Samsung Electronics Co., Ltd.**, Suwon-Si (KR)

(**) Term: **14 Years**

(21) Appl. No.: **29/331,248**

(22) Filed: **Jan. 22, 2009**

(51) **LOC (9) Cl.** **14-01**

(52) **U.S. Cl.** **D14/223**

(58) **Field of Classification Search** D14/205,
D14/206, 223, 218, 138 R; D13/168; 181/129,
181/130; 379/430, 433.01; 381/380, 381,
381/370; 455/90.2, 90.3, 575.1, 575.2
See application file for complete search history.

(56) **References Cited**

U.S. PATENT DOCUMENTS

D306,853 S *	3/1990	Mayo et al.	D13/168
D317,593 S *	6/1991	Rowen	D13/168
D333,295 S *	2/1993	Weber	D13/168
D395,312 S *	6/1998	Parsadayan et al.	D14/218
5,844,984 A *	12/1998	Yamaguchi et al.	379/430
5,867,582 A *	2/1999	Nagayoshi	381/370
D441,185 S *	5/2001	Shimizu et al.	D3/207
D478,893 S *	8/2003	Corander	D14/218
6,922,476 B2 *	7/2005	Nassimi	381/380
7,079,664 B2 *	7/2006	Nassimi	381/380
D553,613 S *	10/2007	Sade et al.	D14/223

D555,150 S *	11/2007	Christopher et al.	D14/223
D559,836 S *	1/2008	Lee	D14/223
D562,310 S *	2/2008	Moon et al.	D14/223
D565,033 S *	3/2008	Goransson	D14/223
D566,105 S *	4/2008	Yang et al.	D14/223
D566,694 S *	4/2008	Kim et al.	D14/223
D569,289 S *	5/2008	Bender	D10/104
D573,139 S *	7/2008	Birger	D14/223
D579,924 S *	11/2008	Sade et al.	D14/223
D582,899 S *	12/2008	Wai	D14/223
D588,575 S *	3/2009	Nousiainen	D14/205
D590,814 S *	4/2009	Bradford	D14/223
D591,273 S *	4/2009	Nousiainen	D14/223
D591,274 S *	4/2009	Khubani	D14/223

* cited by examiner

Primary Examiner—Paula Greene

(74) *Attorney, Agent, or Firm*—Staas & Halsey LLP

(57) **CLAIM**

The ornamental design for a wireless headset, as shown and described.

DESCRIPTION

FIG. 1 is a perspective view of a wireless headset showing our new design;

FIG. 2 is a front elevational view thereof;

FIG. 3 is a rear elevational view thereof;

FIG. 4 is a left side elevational view thereof;

FIG. 5 is a right side elevational view thereof;

FIG. 6 is a top plan view thereof; and,

FIG. 7 is a bottom plan view thereof.

1 Claim, 6 Drawing Sheets

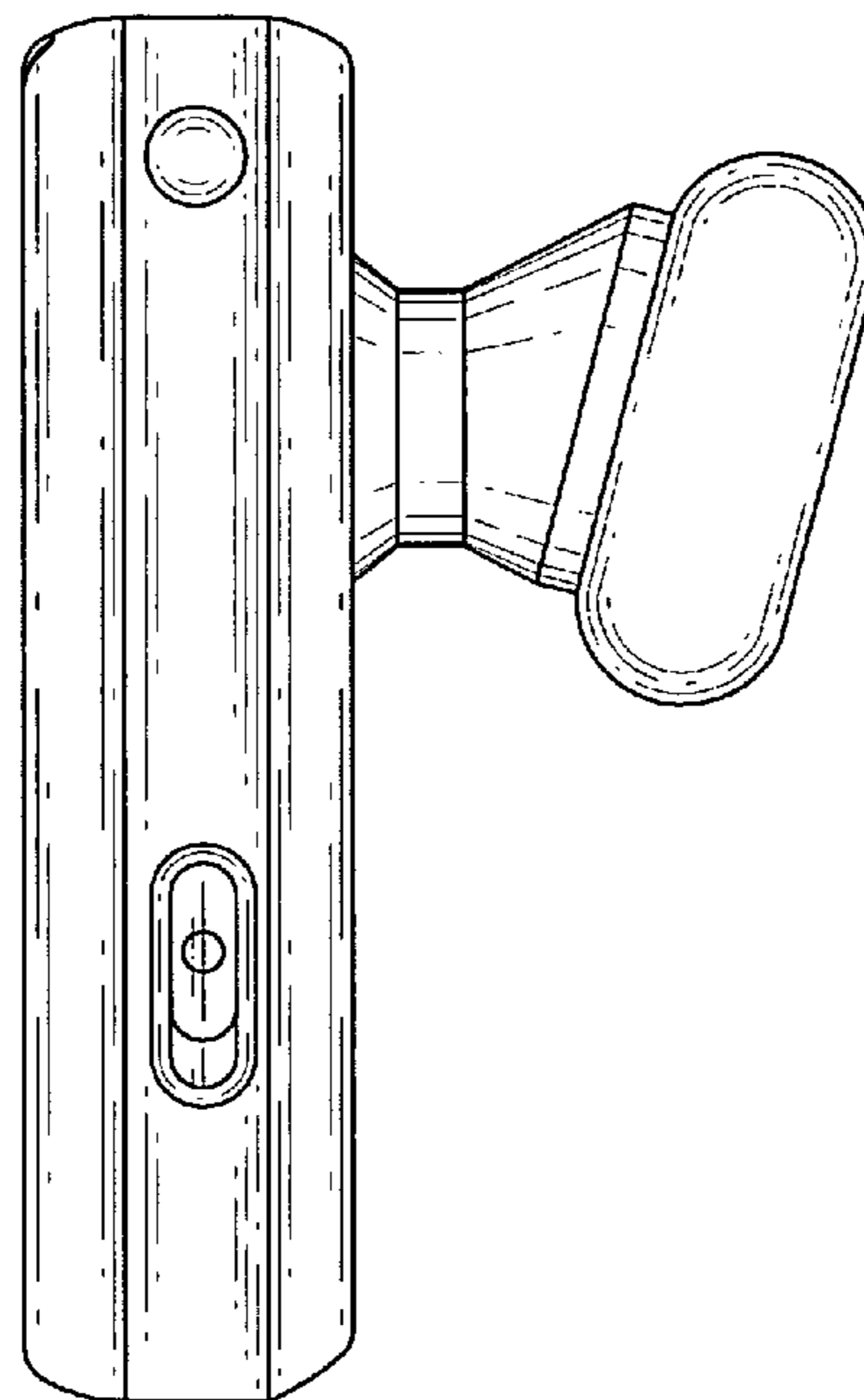
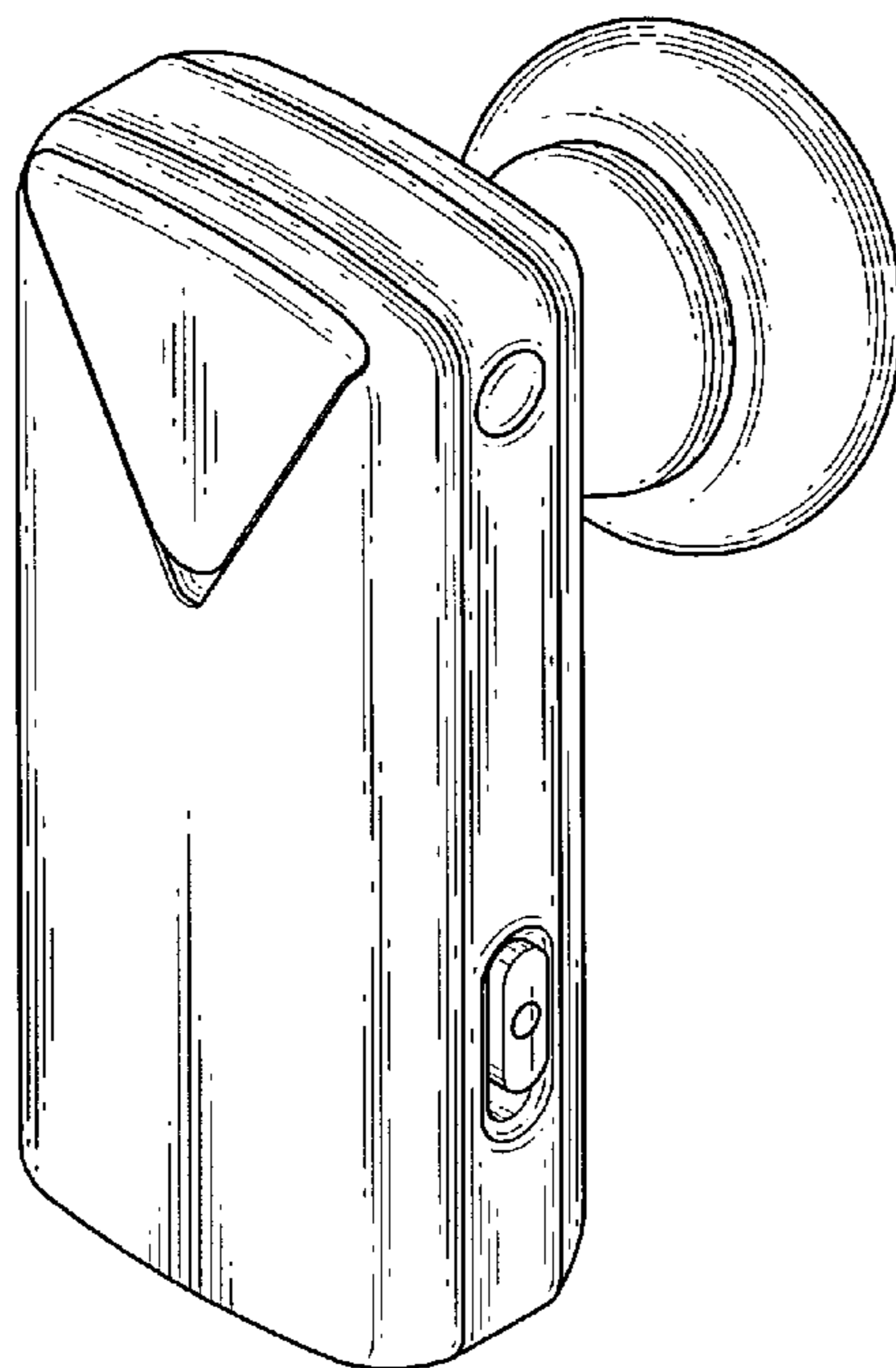


FIG.1

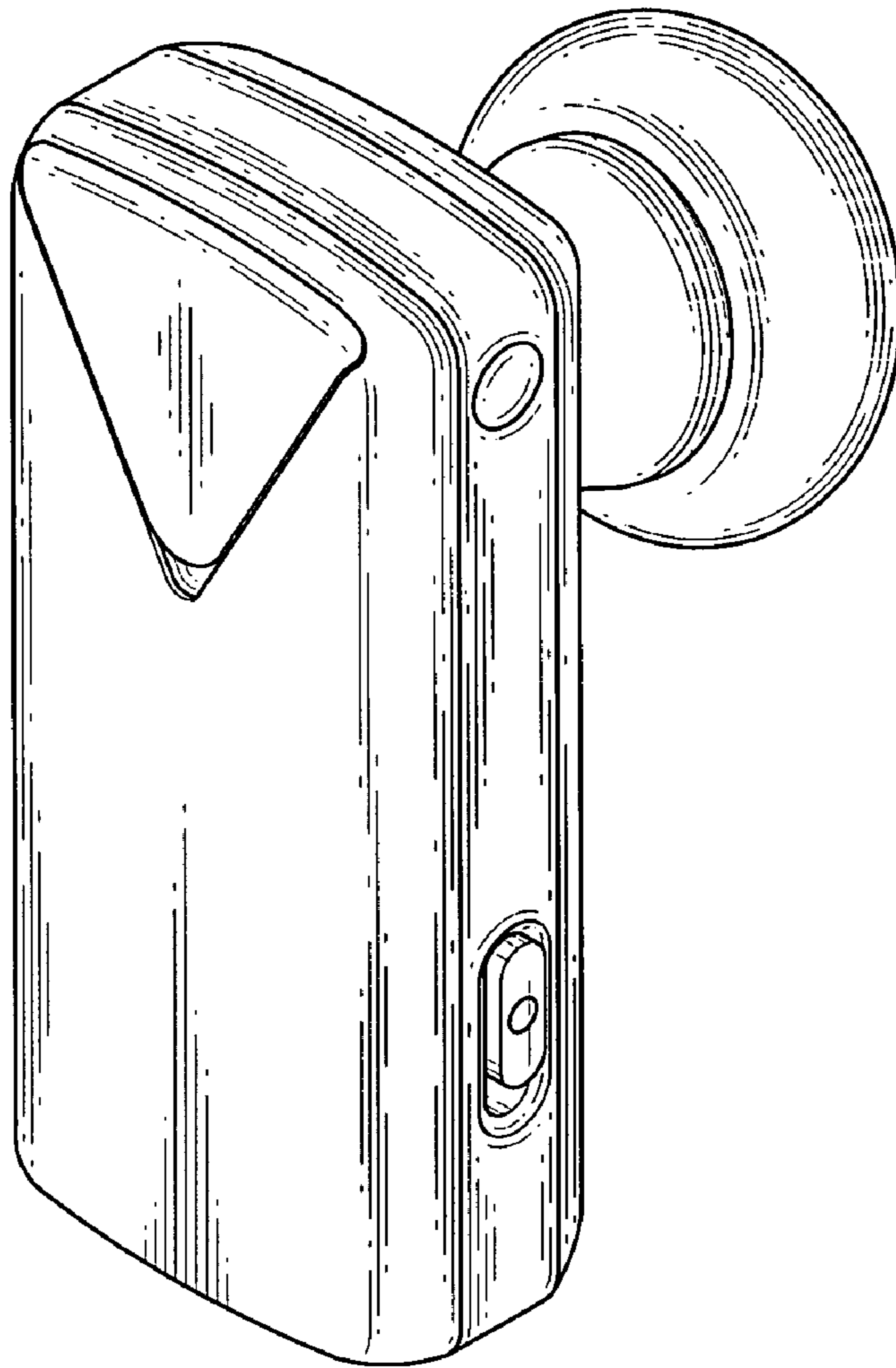


FIG.2

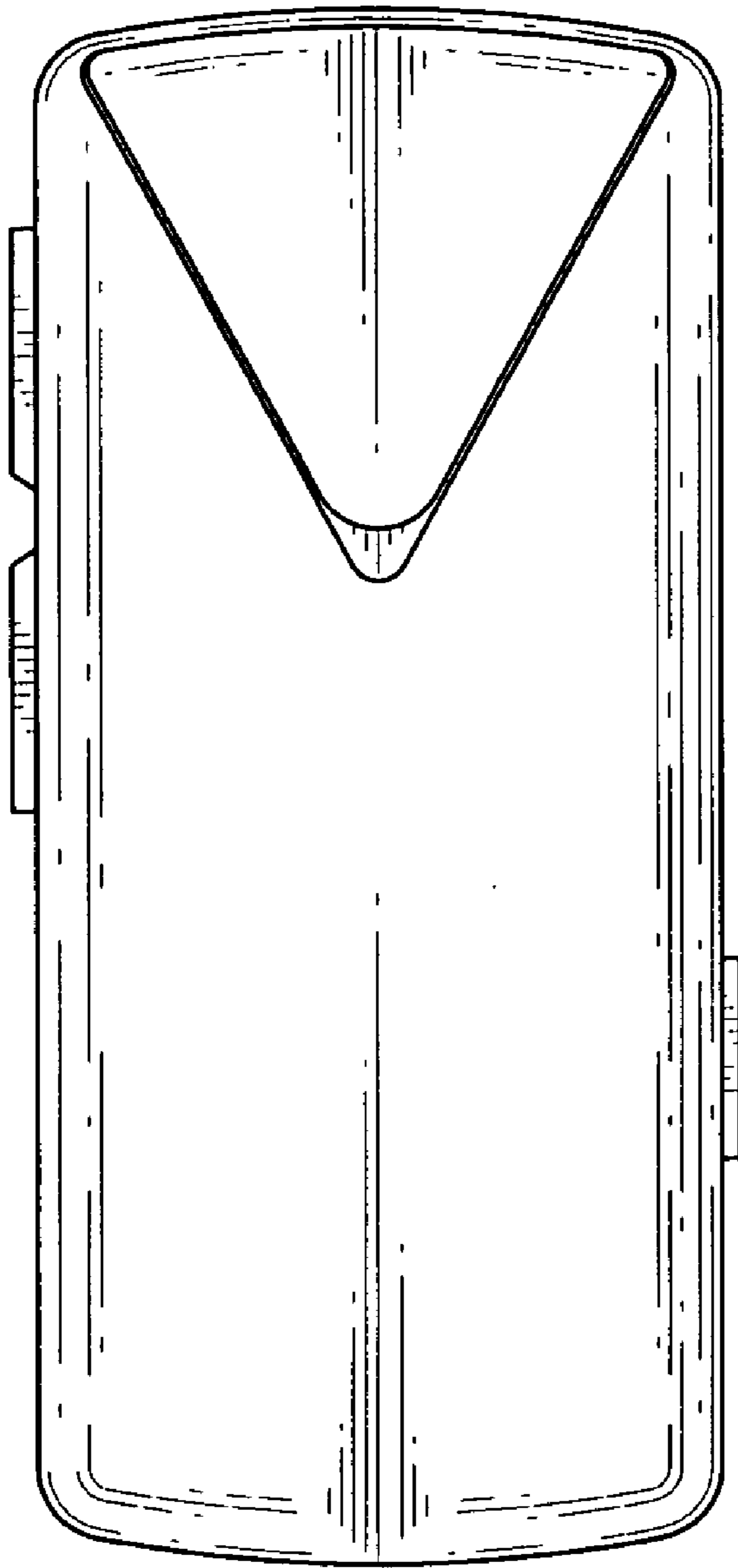


FIG.3

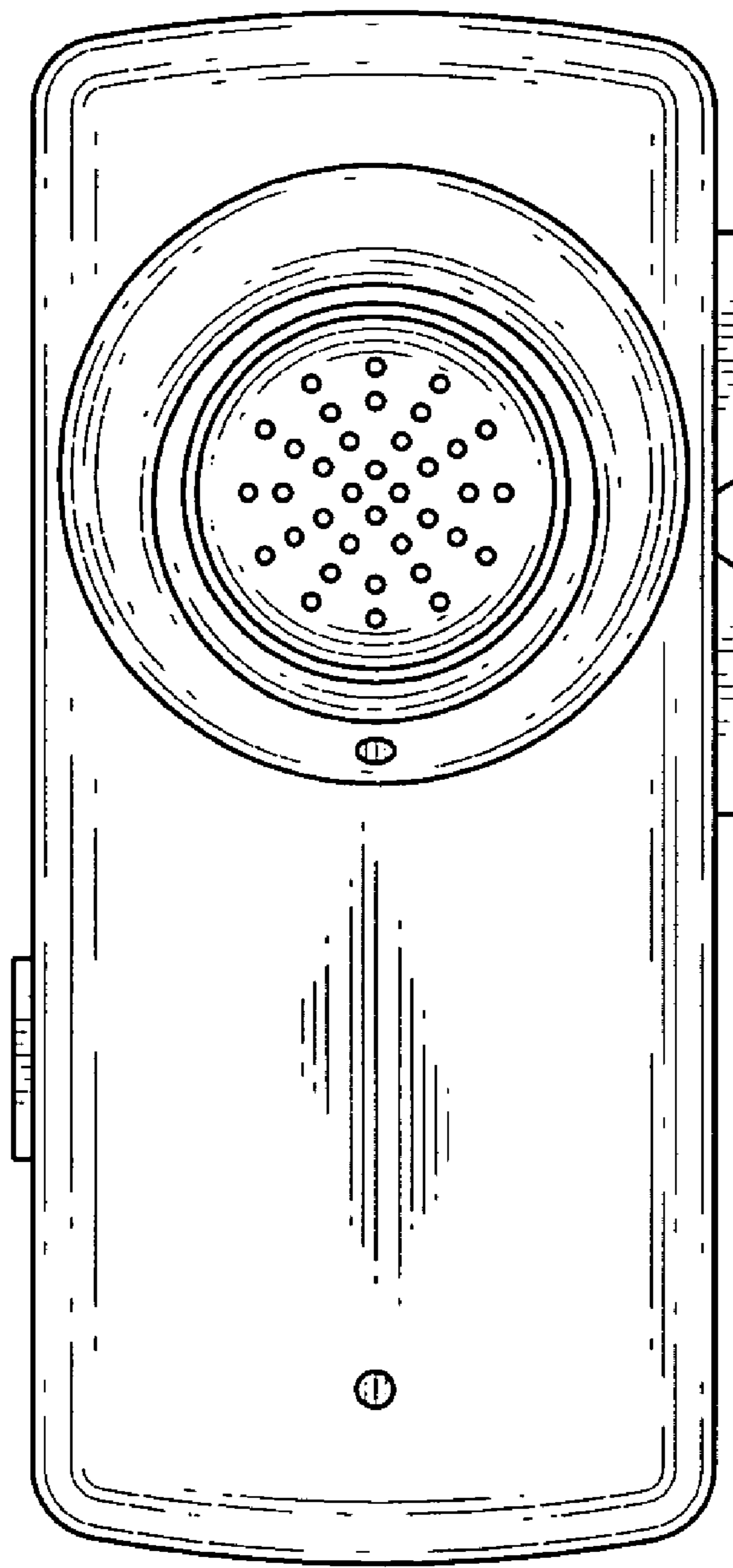


FIG.4

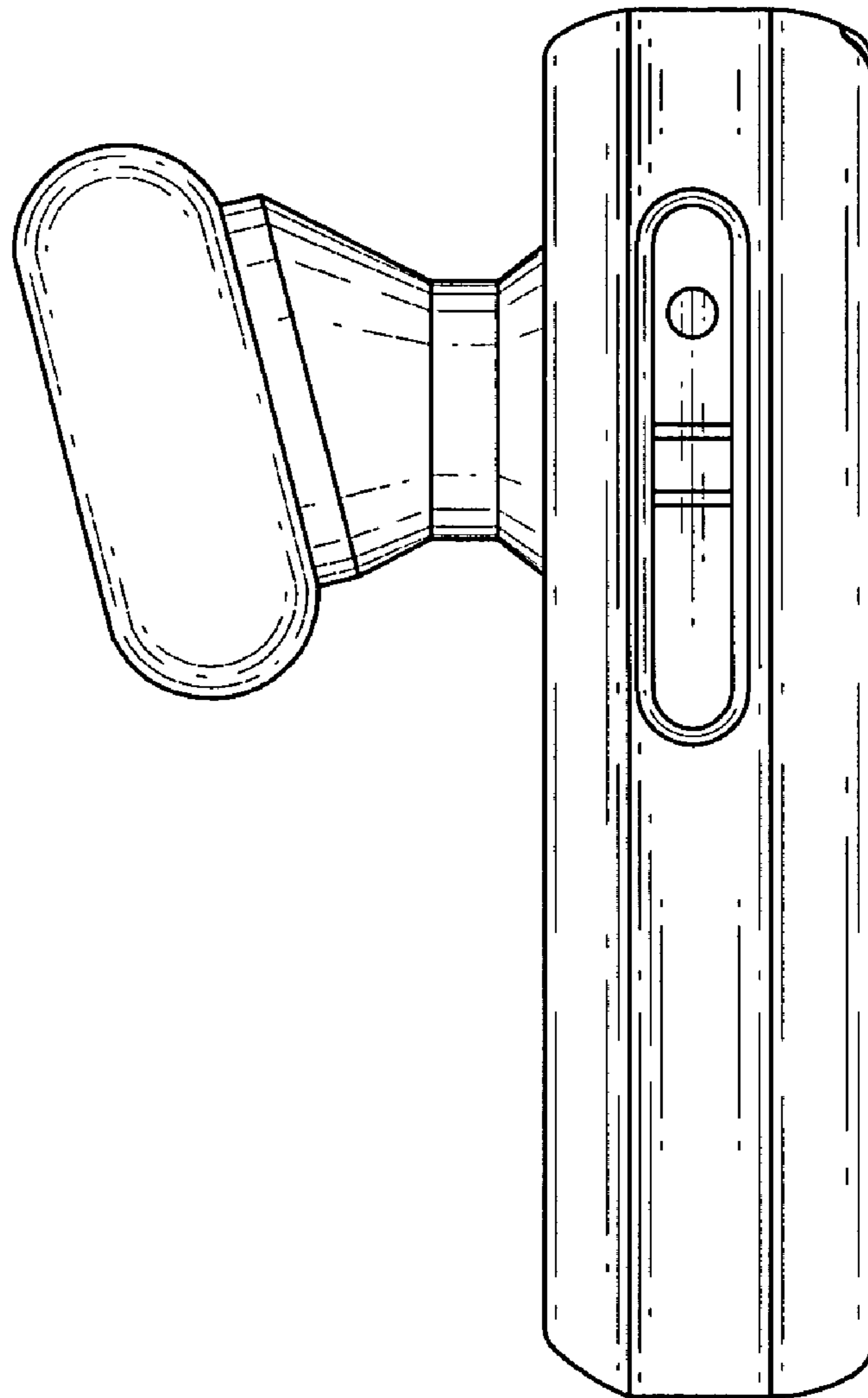


FIG.5

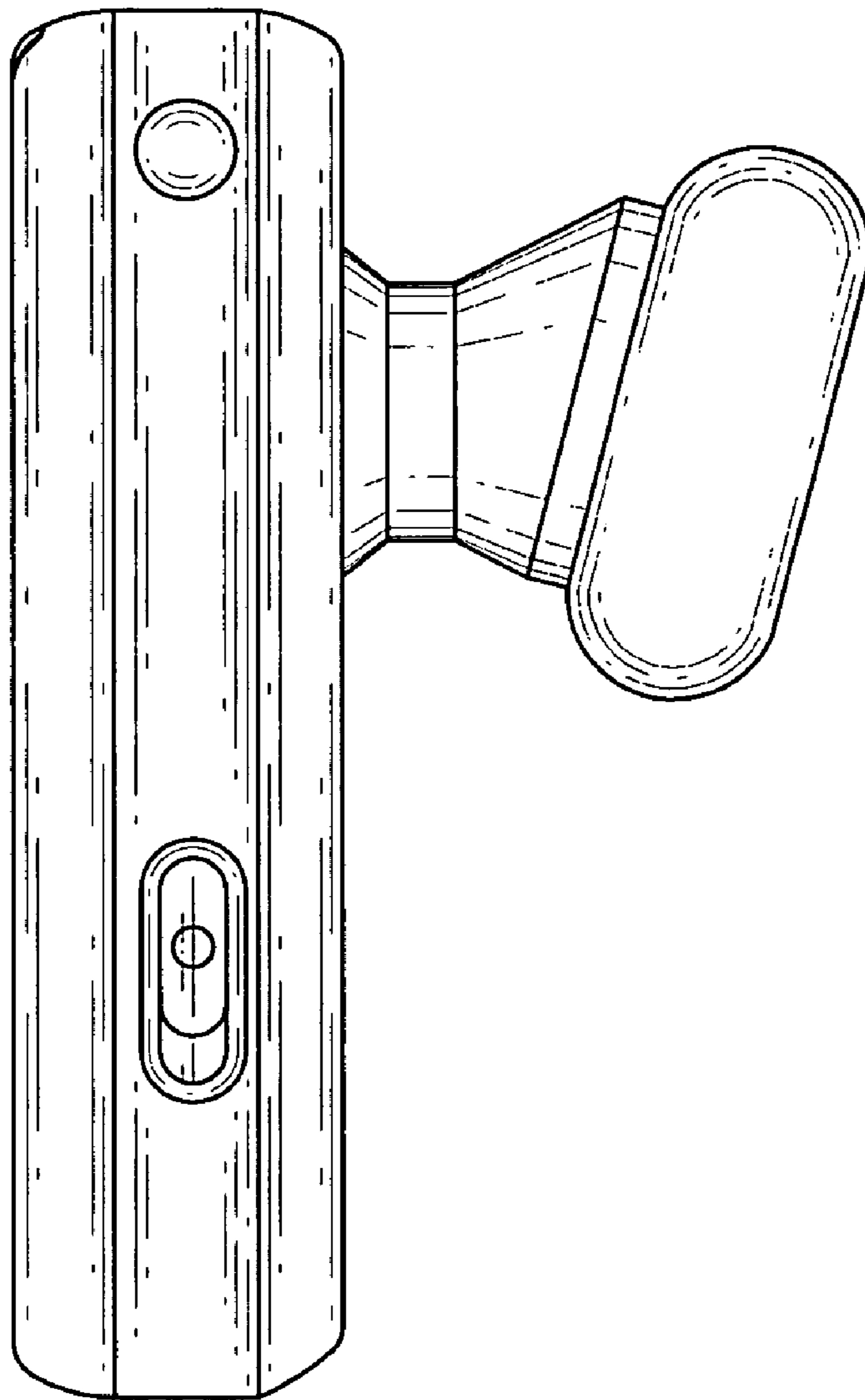


FIG.6

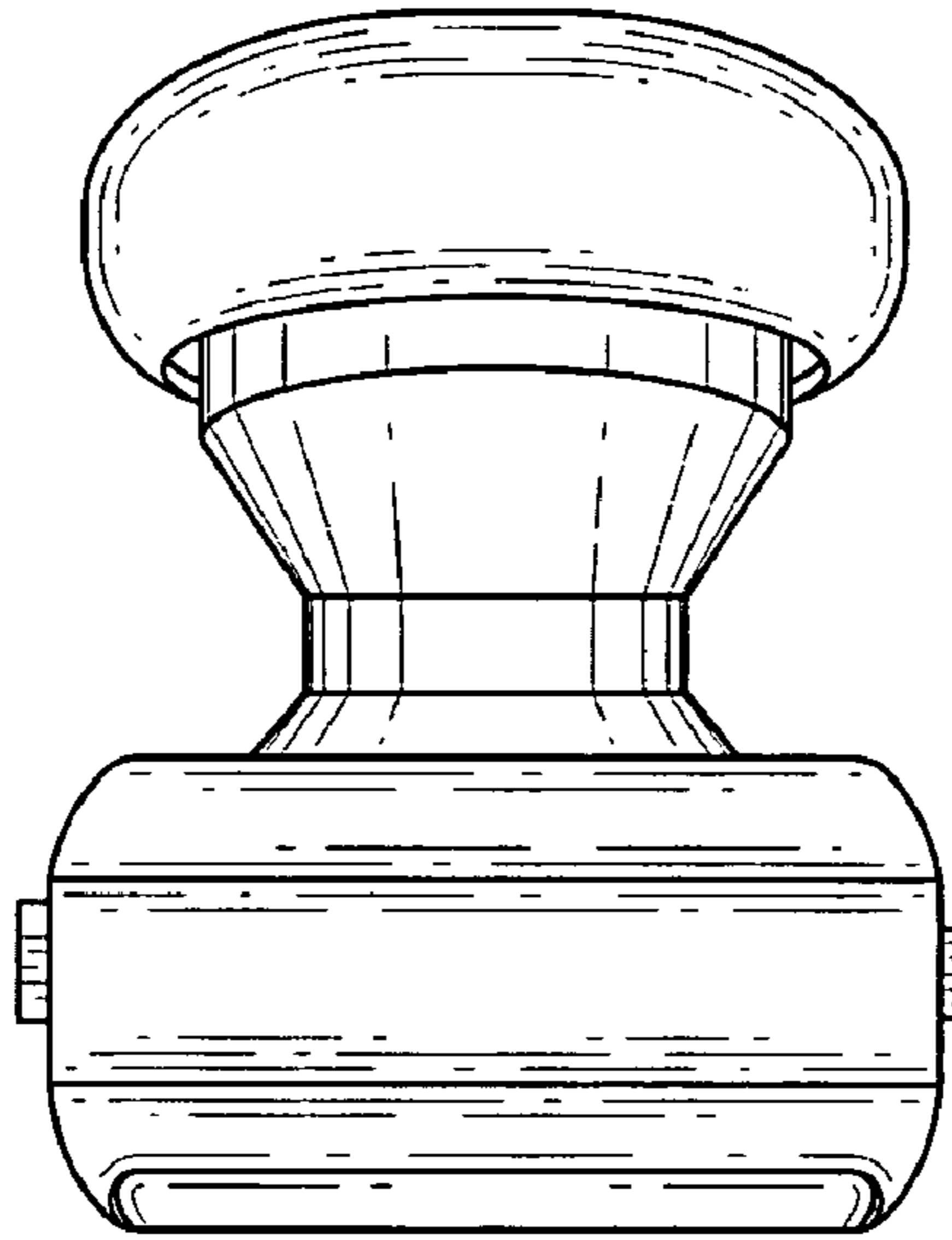


FIG.7

