



US00D602001S

(12) **United States Design Patent**
Bentley

(10) **Patent No.:** **US D602,001 S**

(45) **Date of Patent:** **** Oct. 13, 2009**

(54) **COMMUNICATIONS HEADSET**

(75) **Inventor:** **Matt Bentley**, Scotts Valley, CA (US)

(73) **Assignee:** **Plantronics, Inc.**, Santa Cruz

(**) **Term:** **14 Years**

(21) **Appl. No.:** **29/318,390**

(22) **Filed:** **May 19, 2008**

(51) **LOC (9) Cl.** **14-01**

(52) **U.S. Cl.** **D14/206**

(58) **Field of Classification Search** D14/205,
D14/206, 223, 142, 156, 188, 192; D29/112;
2/209; 181/129, 130; 379/430, 431; 381/370,
381/371, 380, 381, 383; 455/575.1, 575.2

See application file for complete search history.

(56) **References Cited**

U.S. PATENT DOCUMENTS

D473,539 S *	4/2003	O'Leary	D14/205
6,594,366 B1 *	7/2003	Adams	381/74
6,695,477 B1 *	2/2004	Nishiguchi et al.	381/74
D494,154 S *	8/2004	Polito	D14/206
D530,307 S *	10/2006	Rath	D14/206

D534,156 S *	12/2006	Obata	D14/205
D535,285 S *	1/2007	Skulley	D14/205
D539,267 S *	3/2007	Komiyama	D14/205
D540,301 S *	4/2007	Obata	D14/205
D540,303 S *	4/2007	Rausch et al.	D14/205
D540,777 S *	4/2007	Rausch et al.	D14/205
D541,256 S *	4/2007	Rausch et al.	D14/205
D542,774 S *	5/2007	Rausch et al.	D14/206

* cited by examiner

Primary Examiner—Paula Greene

(74) *Attorney, Agent, or Firm*—Michael D. Rodriguez

(57) **CLAIM**

The ornamental design for a communications headset, as shown and described.

DESCRIPTION

FIG. 1 is front view of a communications headset showing our new design;

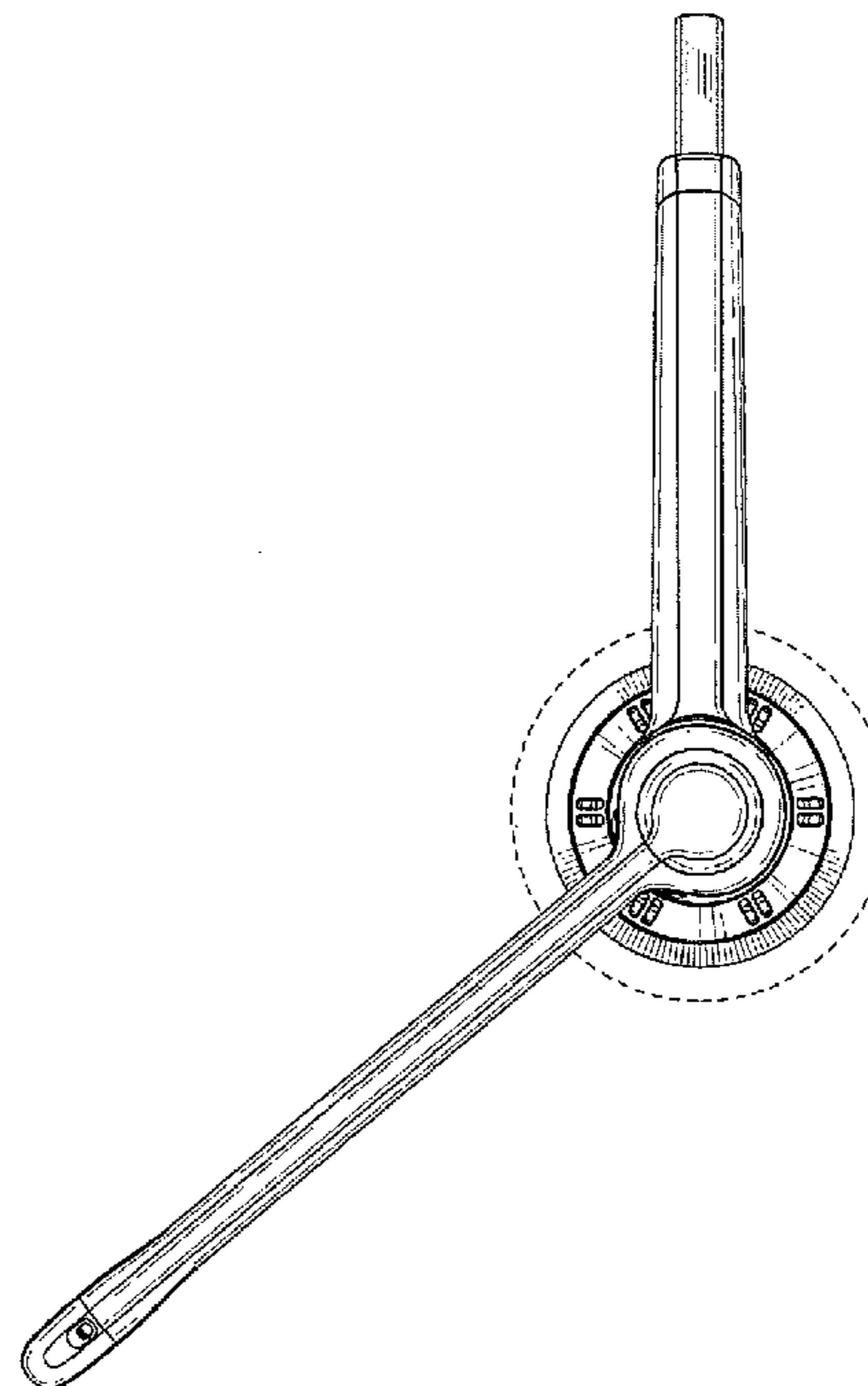
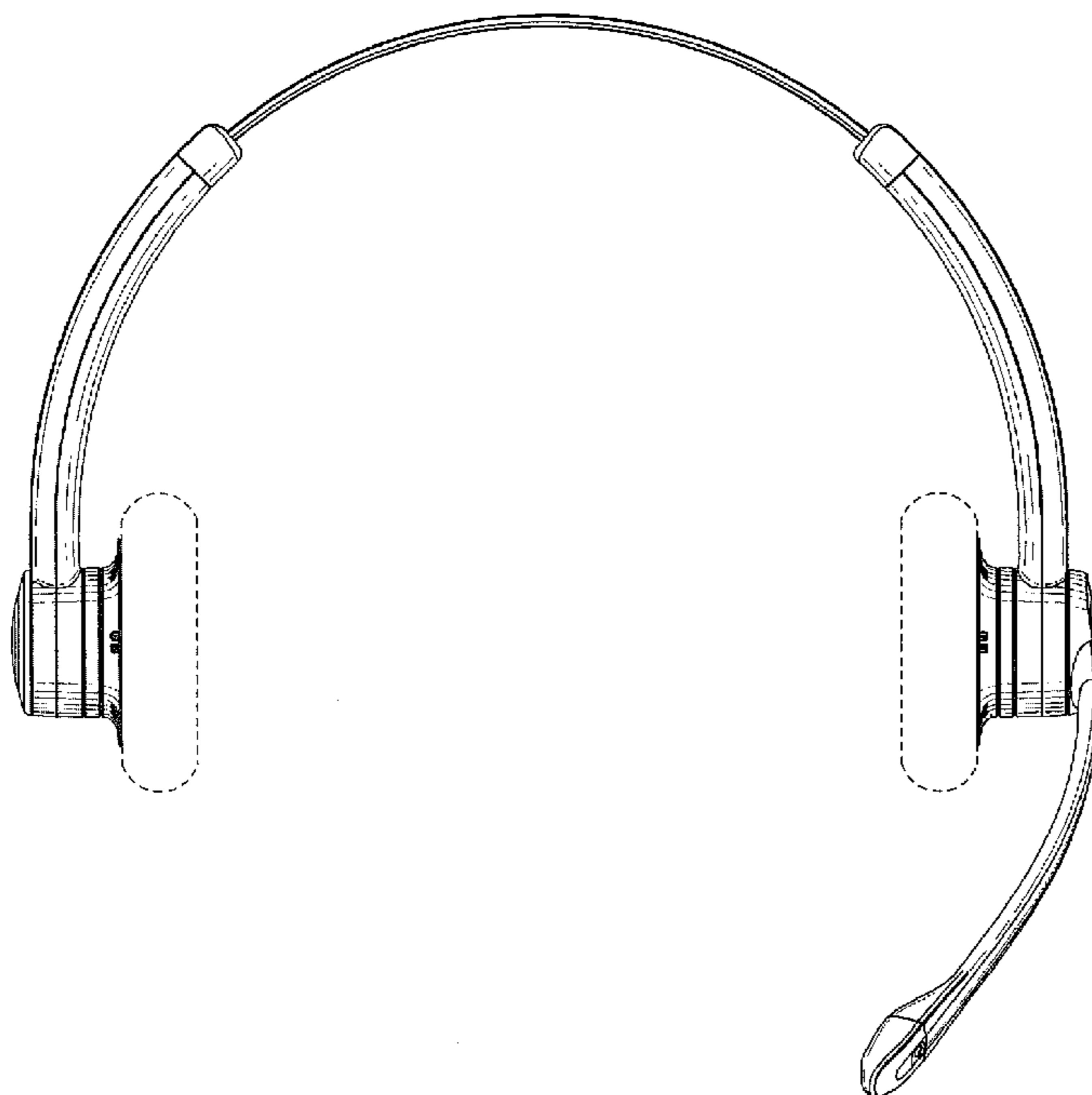
FIG. 2 is a top view thereof;

FIG. 3 is a left view thereof; and,

FIG. 4 is a right side view thereof.

The broken lines form no part of the claimed design.

1 Claim, 2 Drawing Sheets



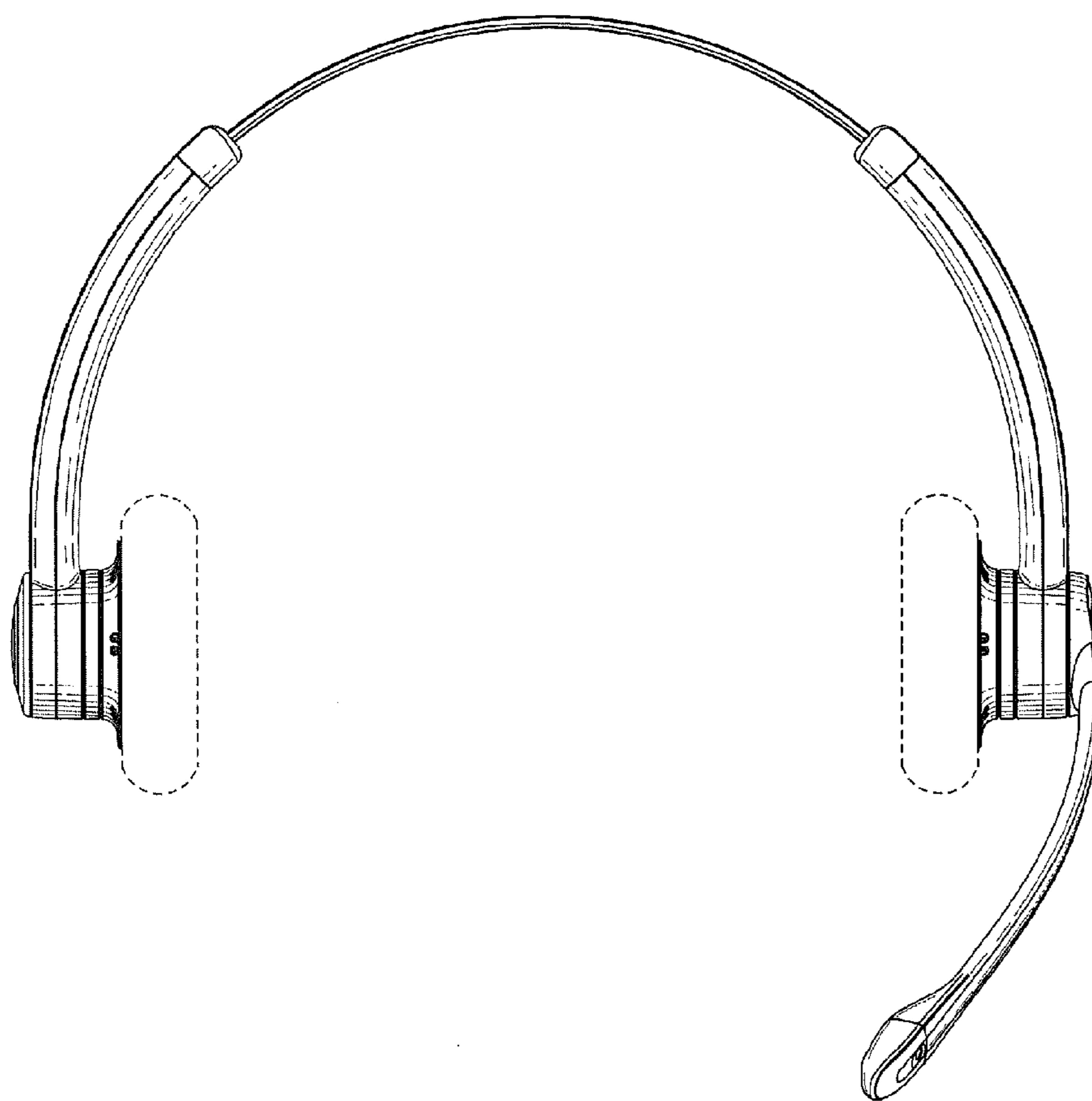


FIG. 1

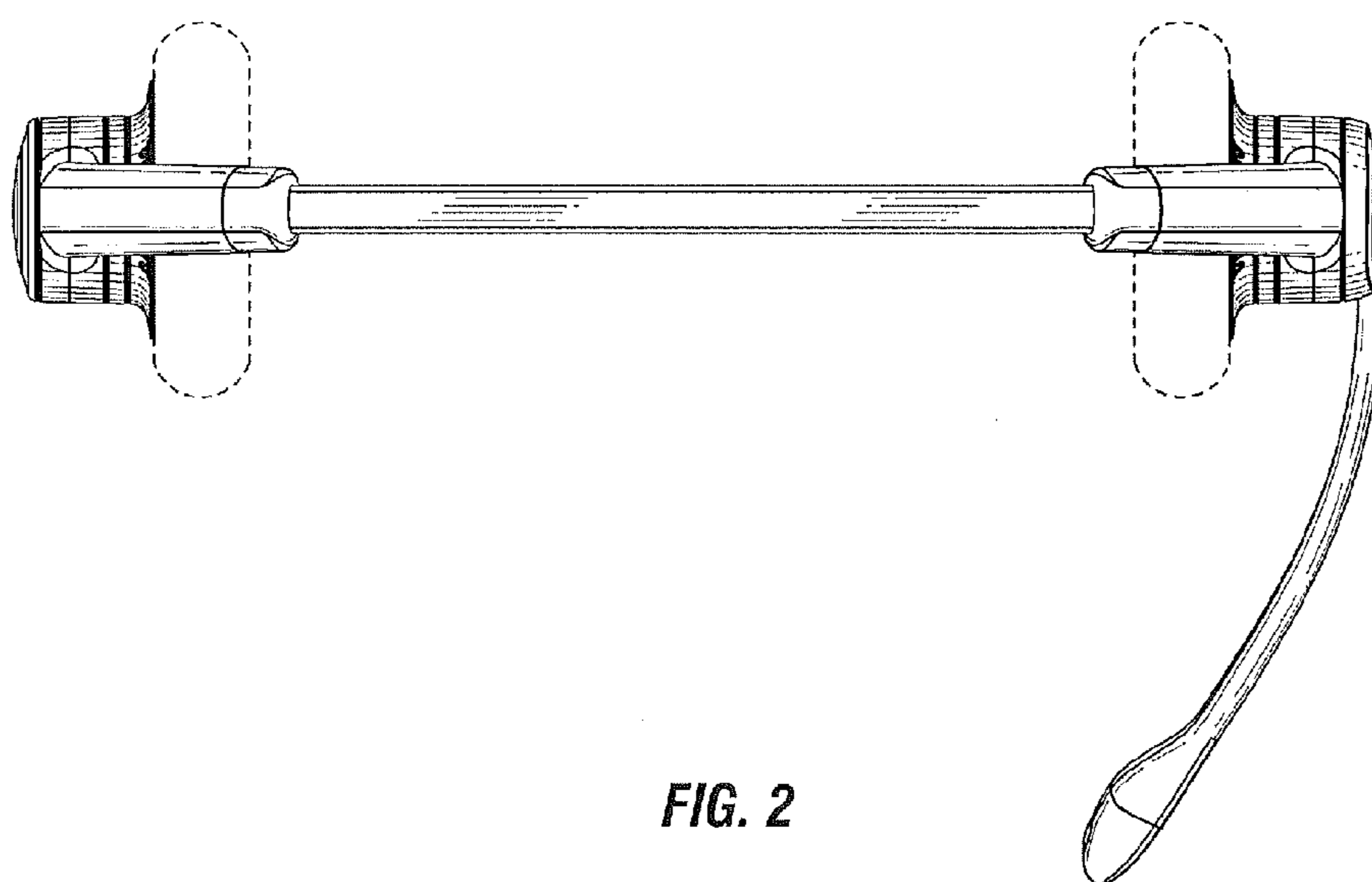


FIG. 2

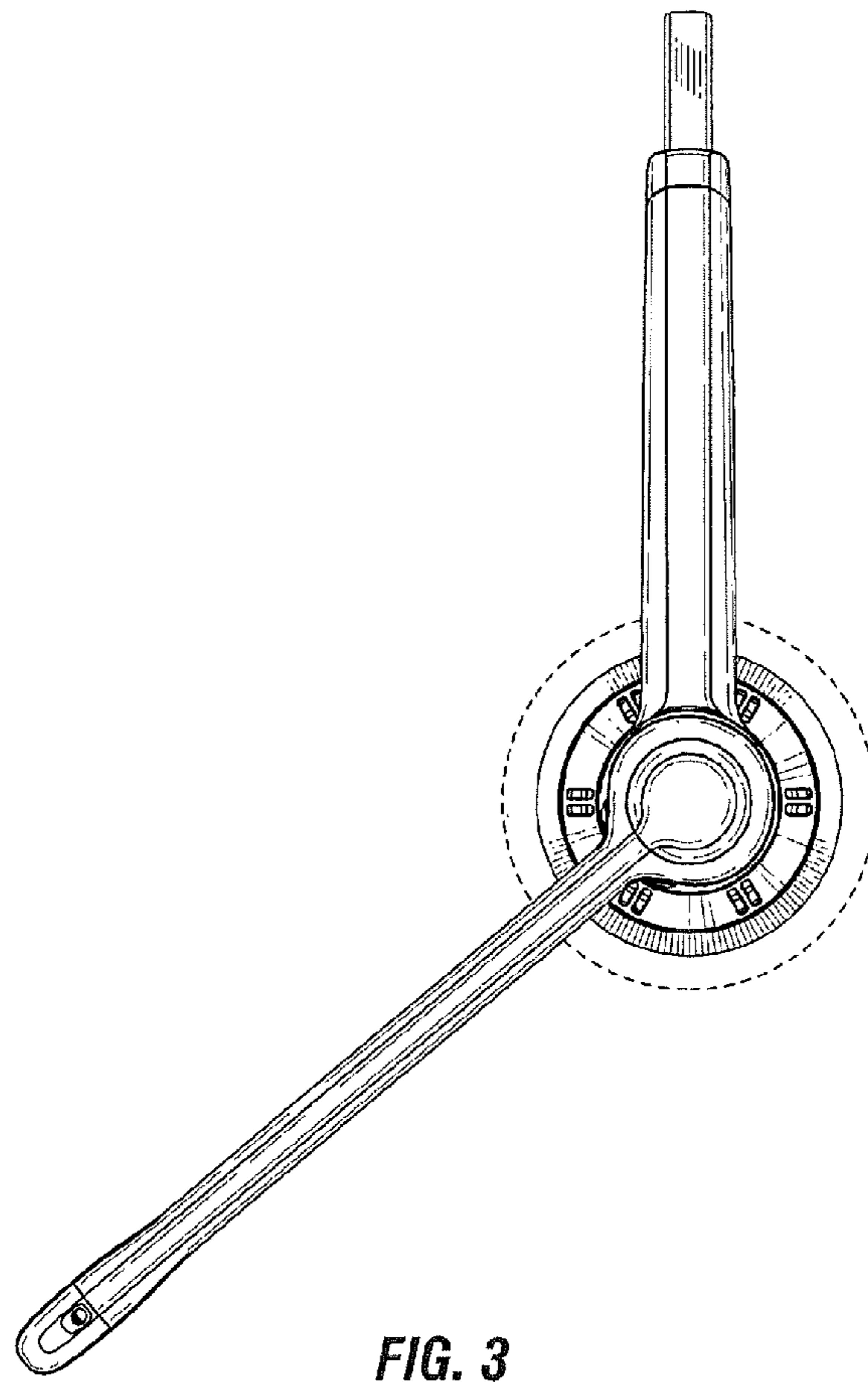


FIG. 3

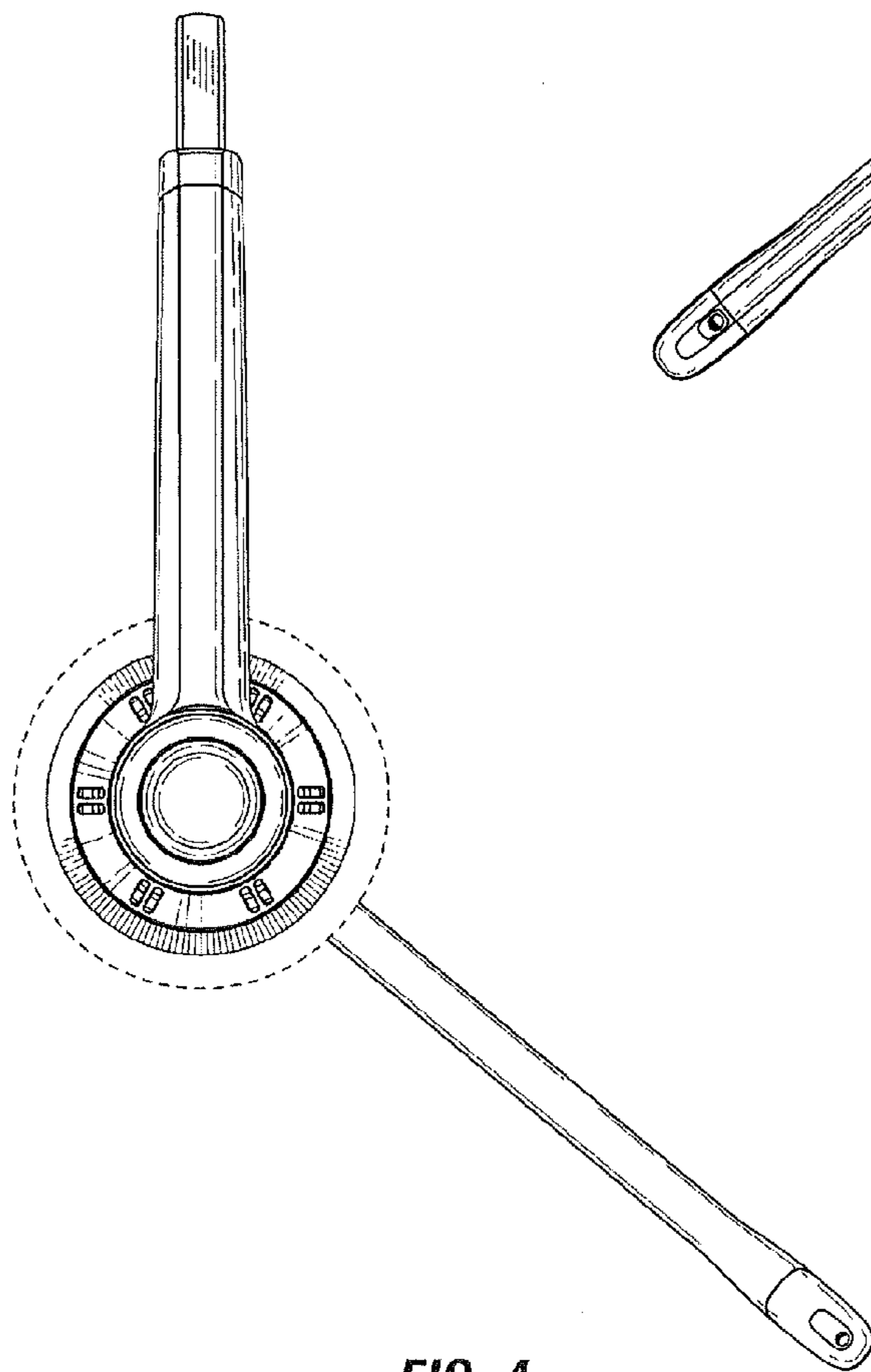


FIG. 4