



US00D601998S

(12) **United States Design Patent**  
**Zheng**

(10) **Patent No.:** **US D601,998 S**  
(45) **Date of Patent:** **\*\* Oct. 13, 2009**

(54) **OPTICAL DISC PLAYER WITH RADIO RECEIVER**

(75) Inventor: **Qi Zheng**, Tokyo (JP)

(73) Assignee: **Sony Corporation**, Tokyo (JP)

(\*\*) Term: **14 Years**

(21) Appl. No.: **29/309,065**

(22) Filed: **Jun. 17, 2008**

(30) **Foreign Application Priority Data**

Dec. 27, 2007 (JP) ..... 2007-036031

(51) **LOC (9) Cl.** ..... **14-01**

(52) **U.S. Cl.** ..... **D14/168**

(58) **Field of Classification Search** ..... D14/496,  
D14/498, 500–509, 160–165, 167–168, 188,  
D14/172, 214–215, 132; 360/99.02, 99.07;  
369/75.11, 75.21, 77.21, 77.11; 720/612,  
720/619, 647, 655; 455/344, 347–351

See application file for complete search history.

(56) **References Cited**

**U.S. PATENT DOCUMENTS**

D263,137 S	*	2/1982	Hiraki	.....	D14/501
D334,189 S	*	3/1993	Takimoto	.....	D14/163
D499,094 S	*	11/2004	Wong et al.	.....	D14/257
D536,334 S	*	2/2007	Park et al.	.....	D14/214
D551,656 S	*	9/2007	Ritsher et al.	.....	D14/216
D554,105 S	*	10/2007	Langberg et al.	.....	D14/217
D560,657 S	*	1/2008	Langberg et al.	.....	D14/217
D561,741 S	*	2/2008	Huang	.....	D14/215

**OTHER PUBLICATIONS**

U.S. Appl. No. 29/297,488, filed Nov. 13, 2007, Zheng.

U.S. Appl. No. 29/309,065, filed Jun. 17, 2008, Zheng.

U.S. Appl. No. 29/319,931, filed Jun. 17, 2008, Zheng.

\* cited by examiner

*Primary Examiner*—Nanda Bondade

(74) *Attorney, Agent, or Firm*—Oblon, Spivak, McClelland, Maier & Neustadt, L.L.P.

(57) **CLAIM**

The new, original, and ornamental design for an optical disc player with radio receiver, as shown and described.

**DESCRIPTION**

FIG. 1 is a front elevational view of an optical disc player with radio receiver, showing my new design;

FIG. 2 is a rear elevational view thereof;

FIG. 3 is a right side elevational view thereof;

FIG. 4 is a left side elevational view thereof;

FIG. 5 is a top plan view thereof;

FIG. 6 is a bottom plan view thereof;

FIG. 7 is a sectional view along line 7—7 shown in FIG. 1;

FIG. 8 is a sectional view along line 8—8 shown in FIG. 1;

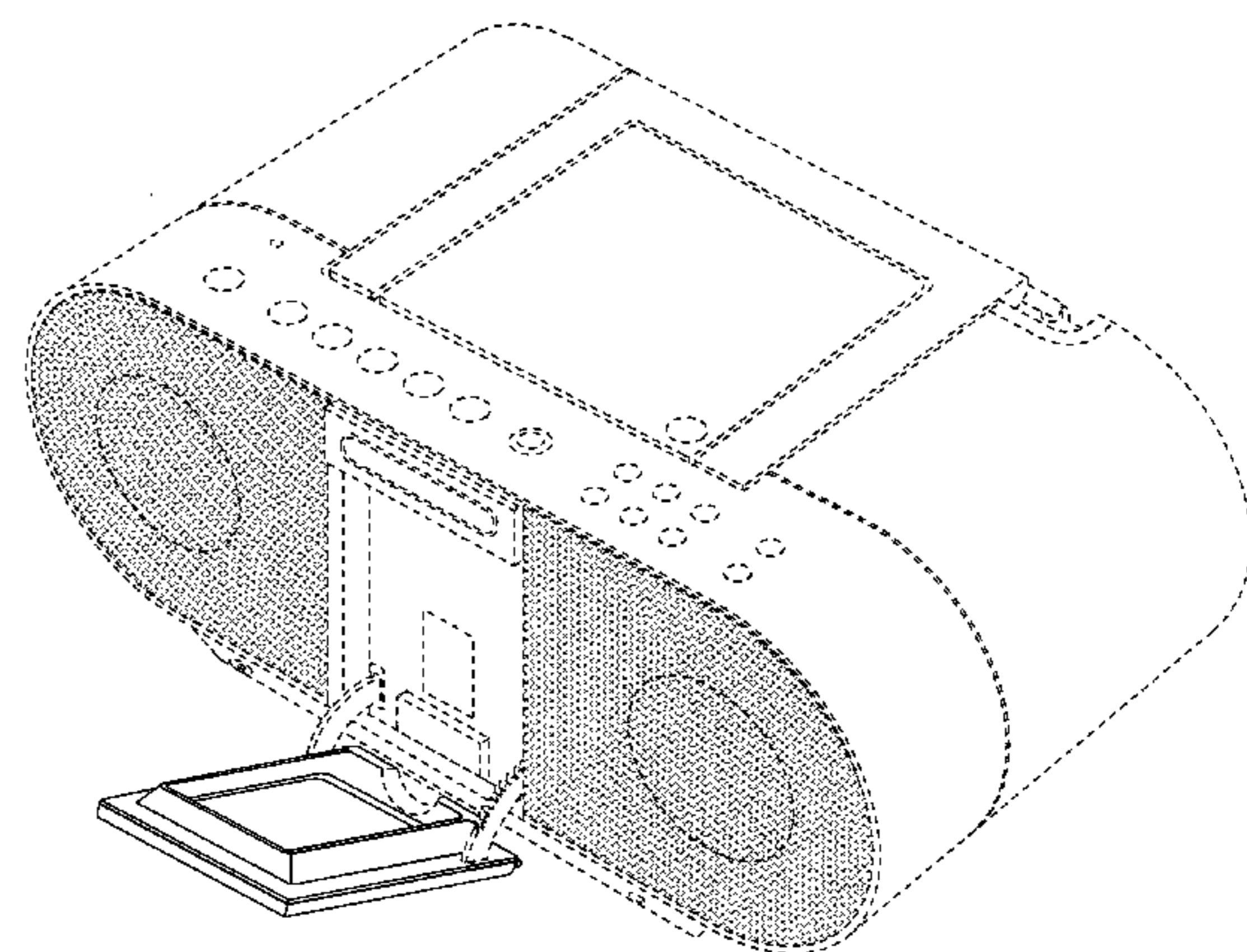
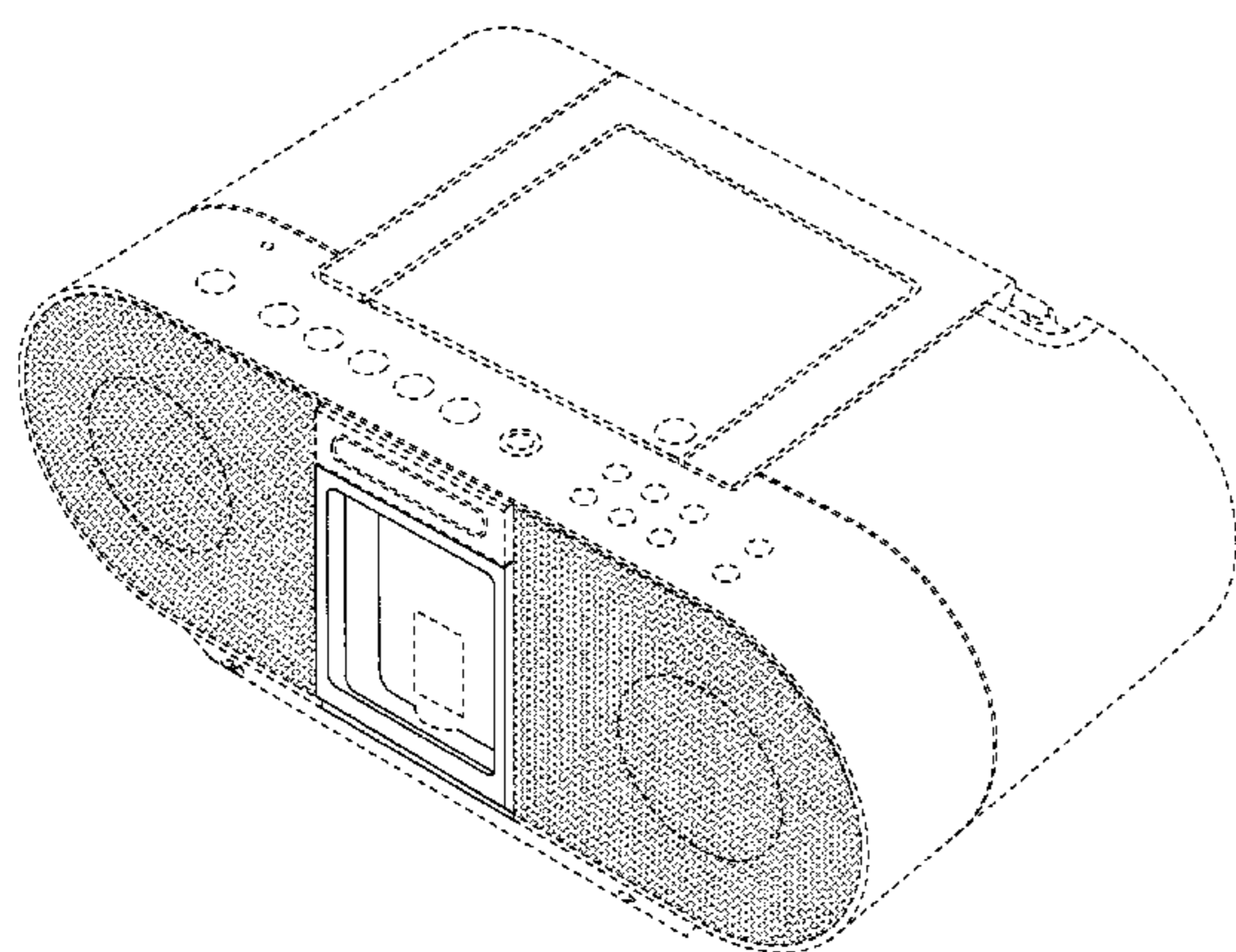
FIG. 9 is a sectional view along line 8—8 shown in FIG. 1, depicted in an operational state;

FIG. 10 is a top, front, and right perspective view thereof; and,

FIG. 11 is a top, front, and right perspective view thereof, depicted in an operational state.

The broken lines in the drawings depict environmental subject matter only and form no part of the claimed design.

**1 Claim, 11 Drawing Sheets**



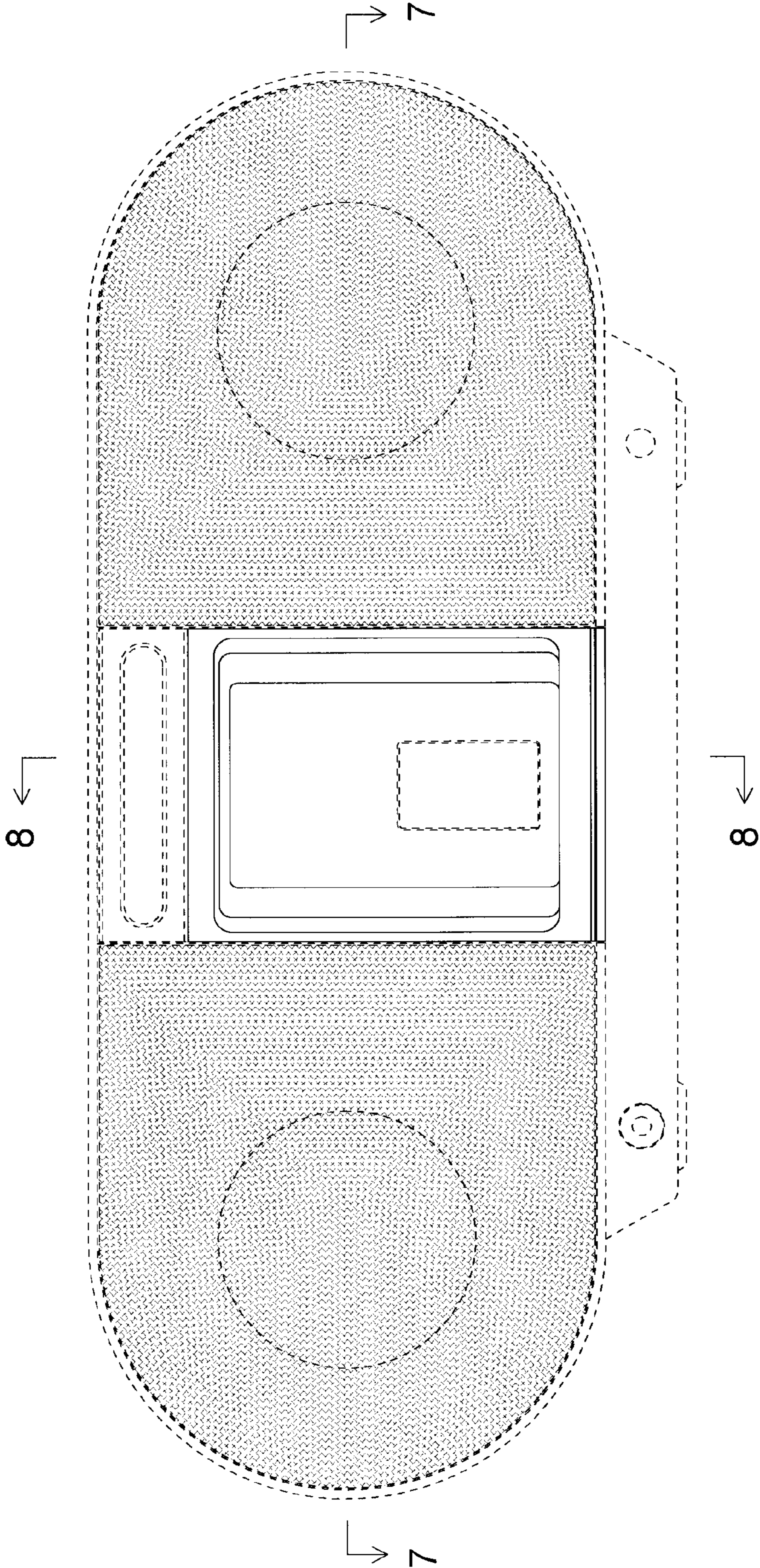
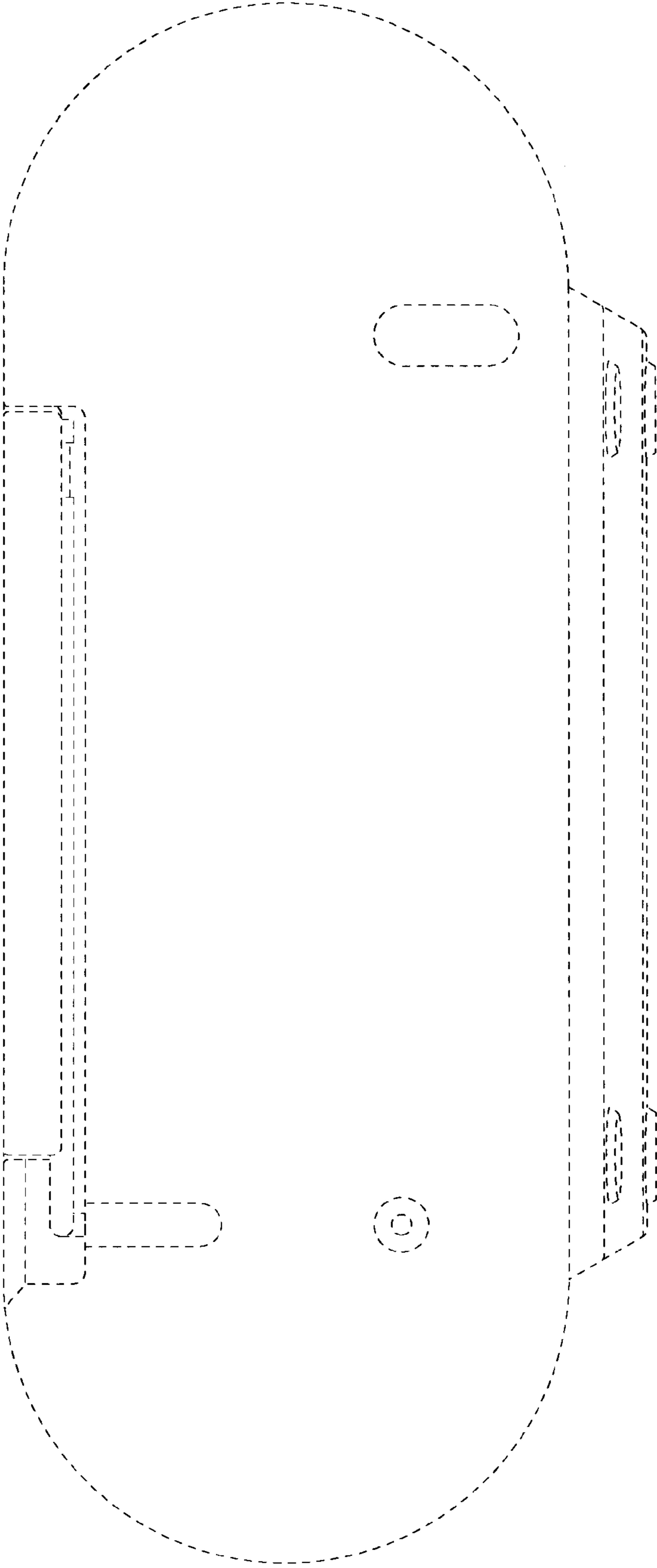


Fig.1

Fig. 2



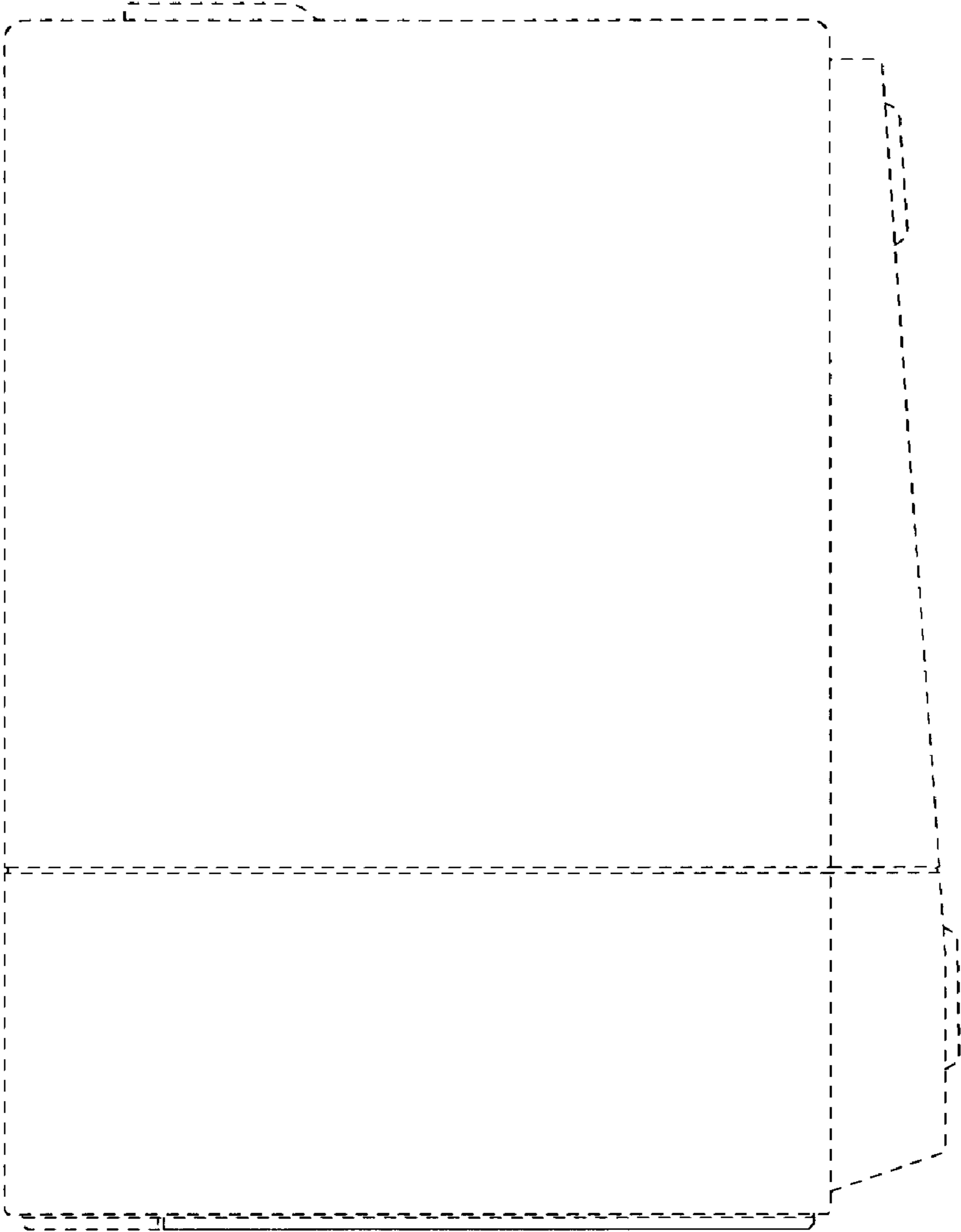


Fig. 3

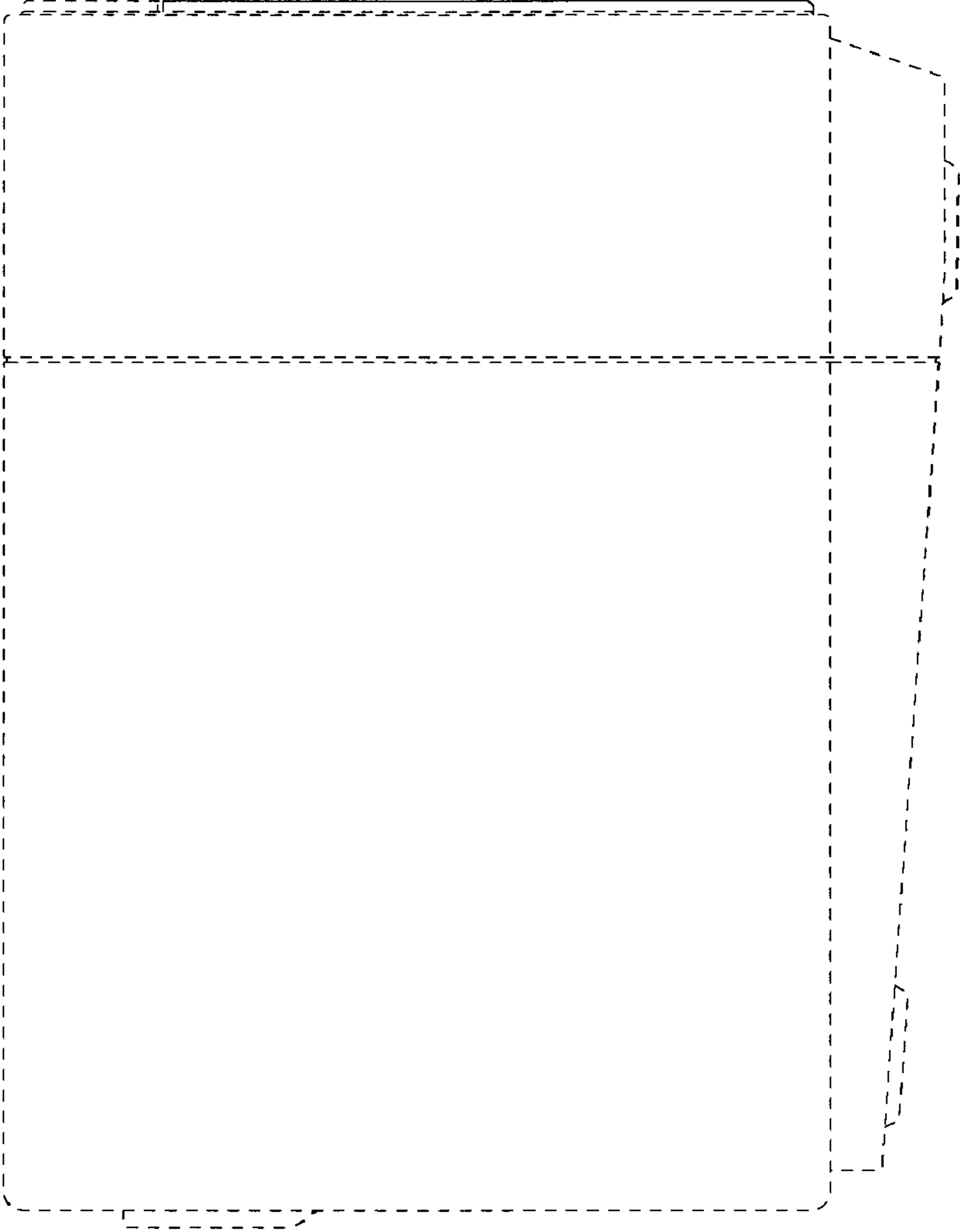
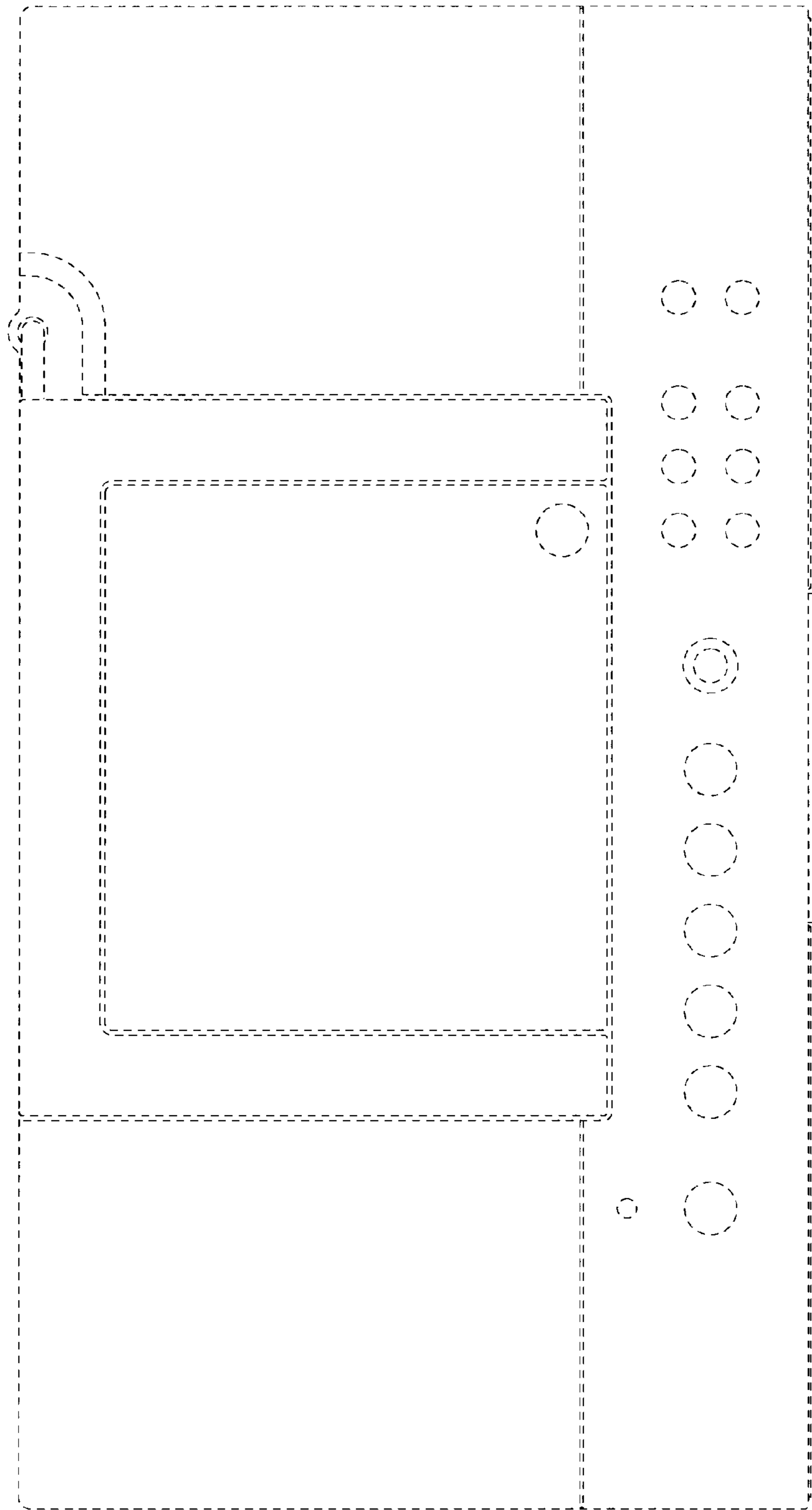


Fig. 4

Fig. 5



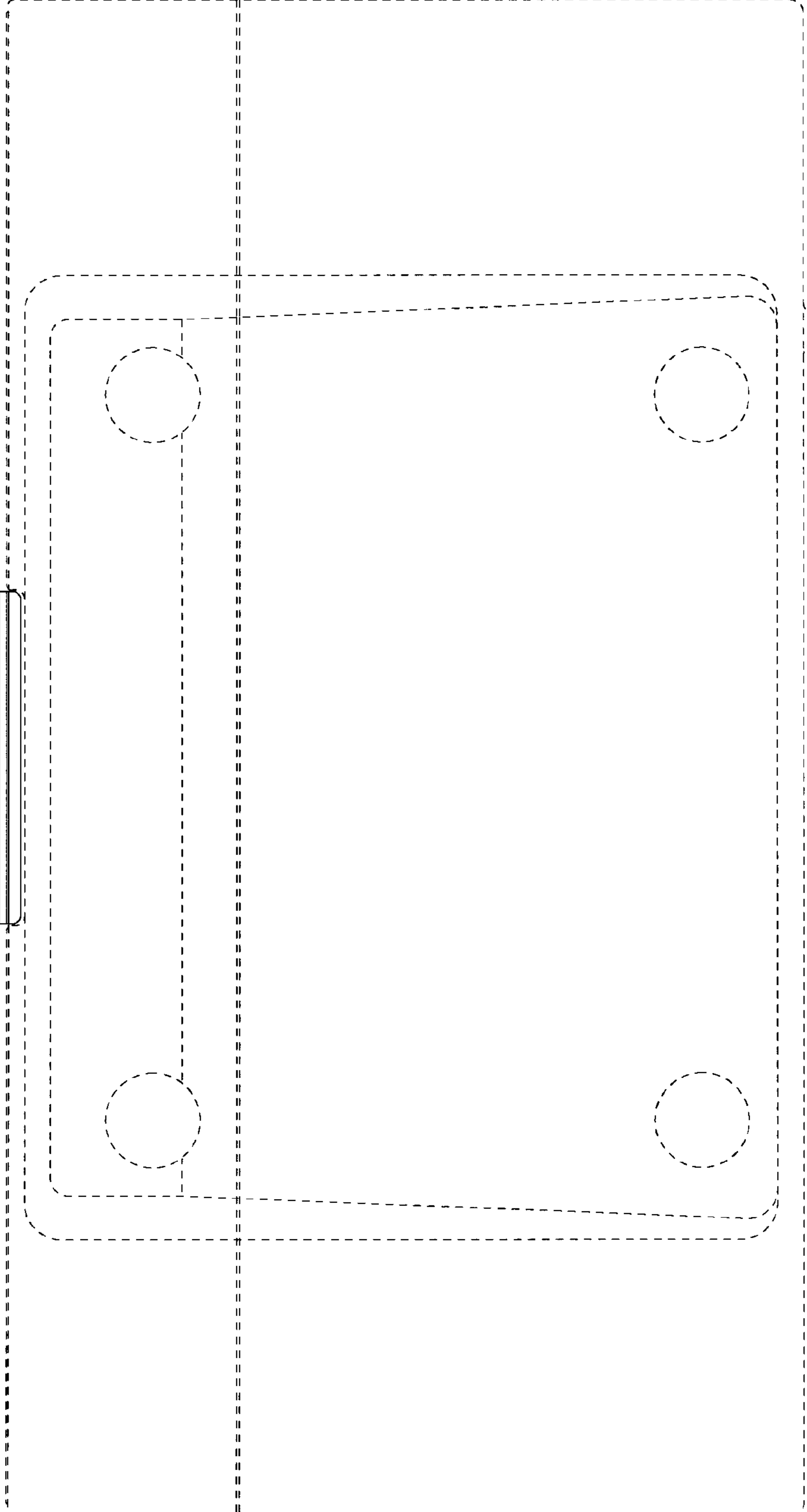
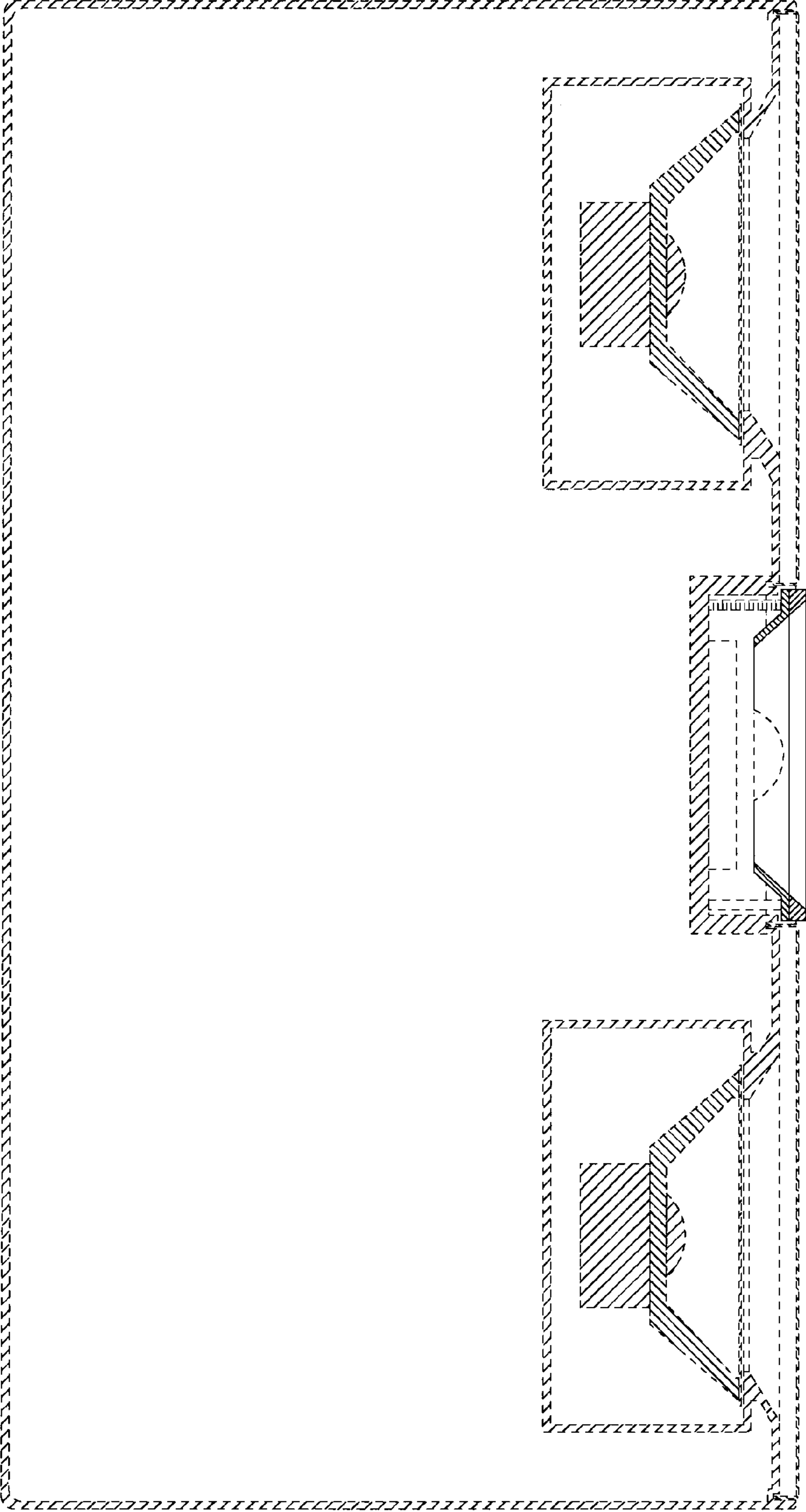


Fig.6

Fig. 7





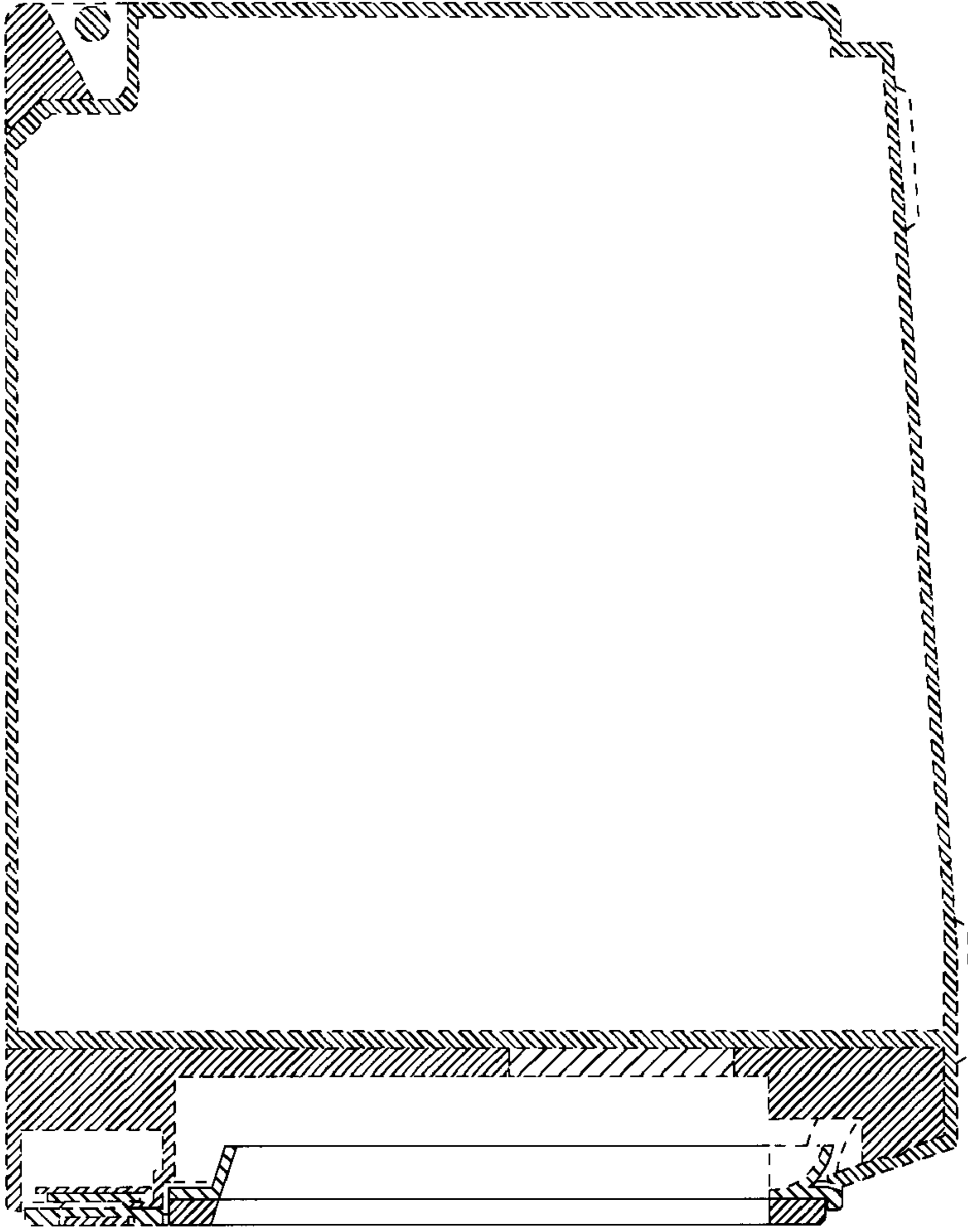
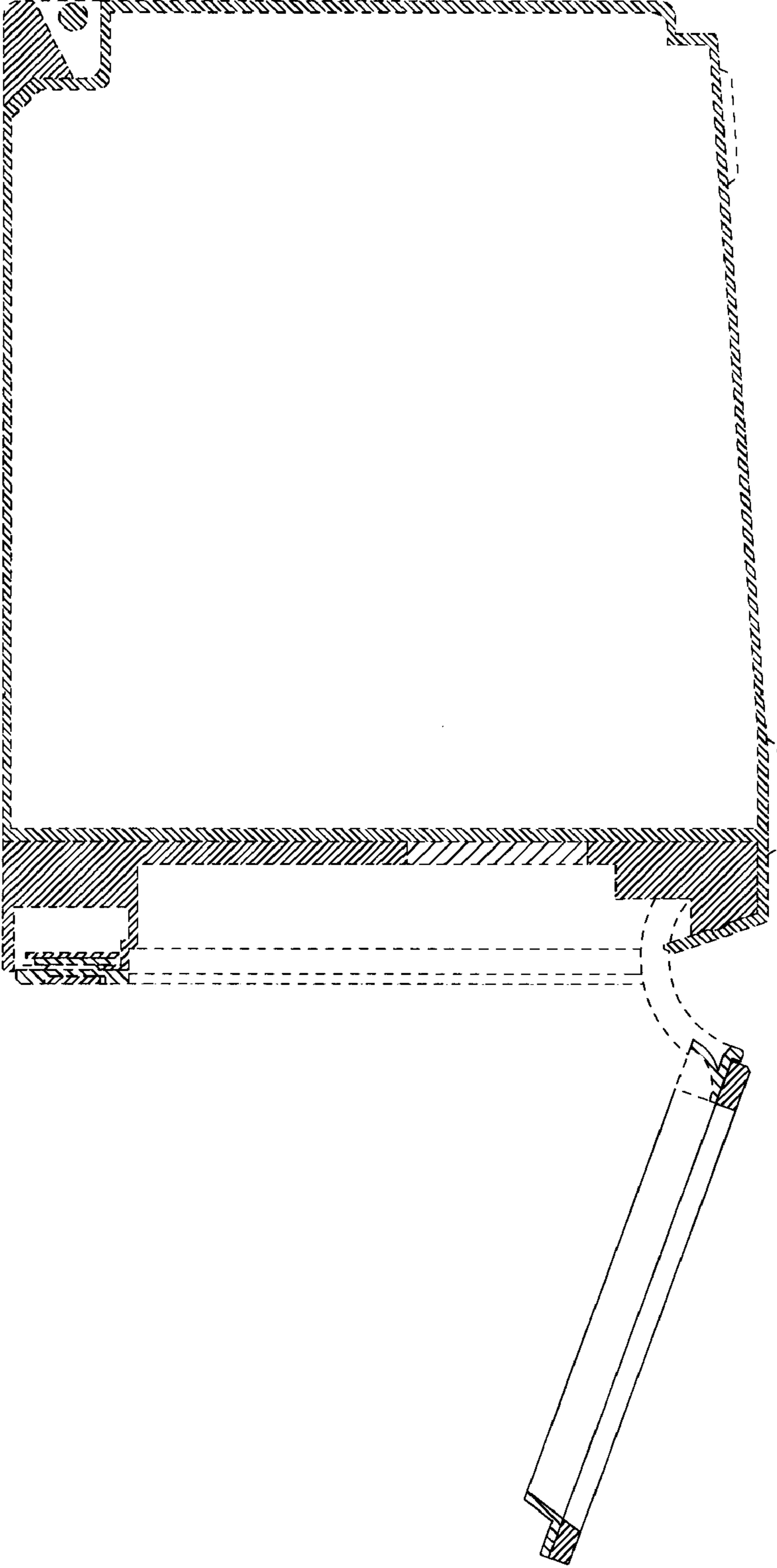


Fig. 8

Fig. 9



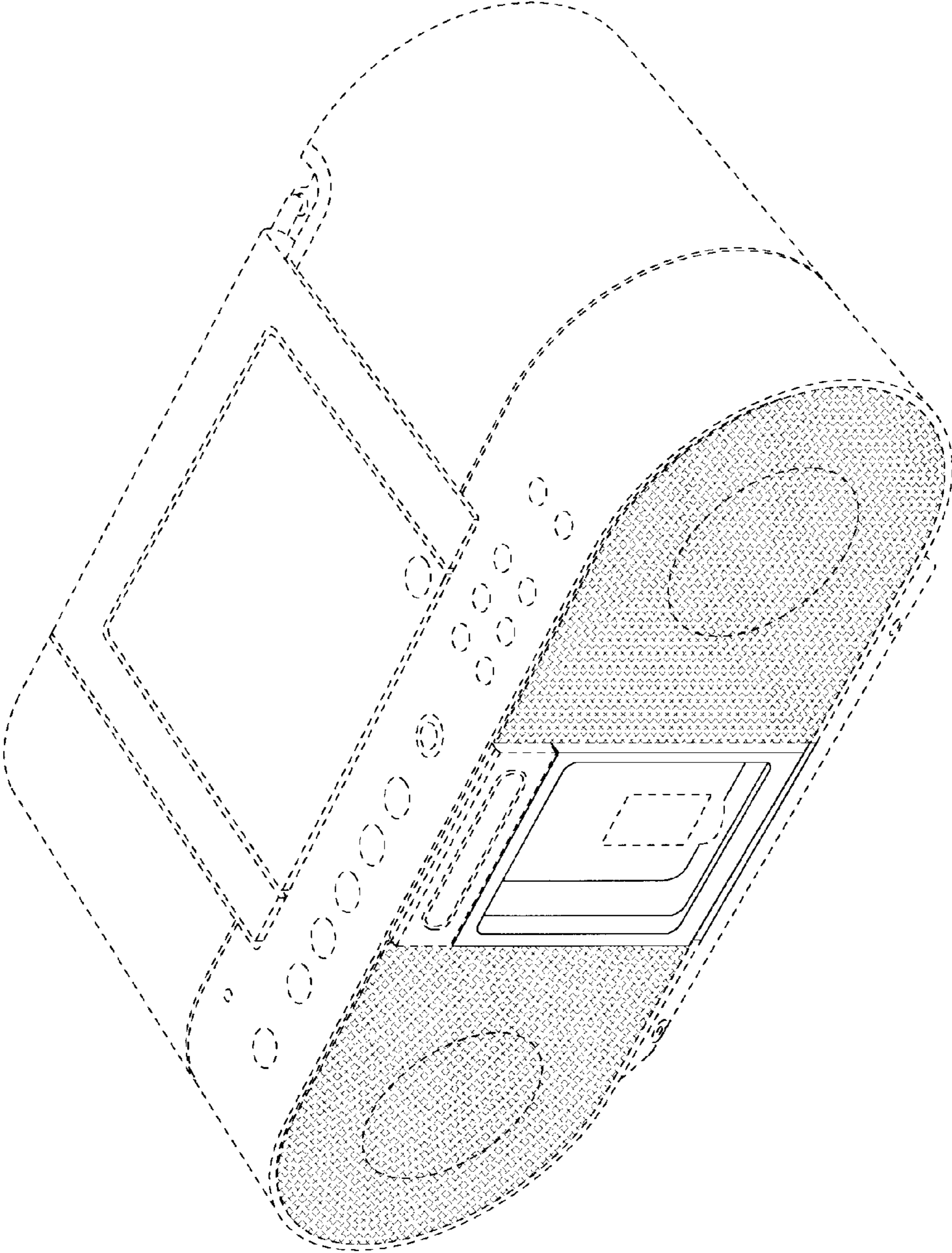


Fig. 10

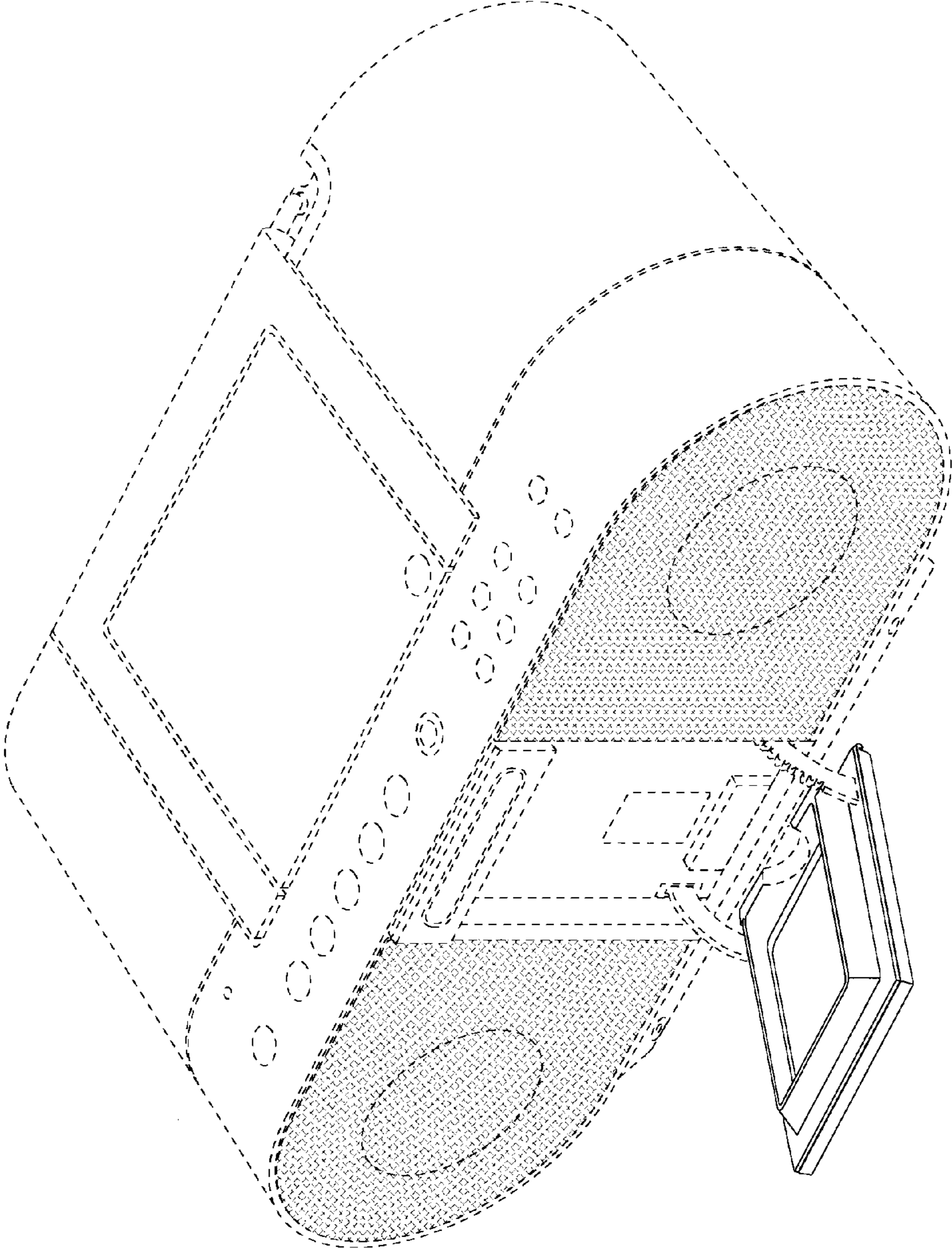


Fig. 11