



US00D601995S

(12) **United States Design Patent**
Shimada

(10) **Patent No.:** **US D601,995 S**
(45) **Date of Patent:** **** Oct. 13, 2009**

(54) **PORTABLE PHONE**

(75) Inventor: **Naoki Shimada**, Rancho Dominguez,
CA (US)

(73) Assignee: **Samsung Electronics Co., Ltd.**,
Suwon-Si (KR)

(**) Term: **14 Years**

(21) Appl. No.: **29/329,602**

(22) Filed: **Dec. 18, 2008**

(51) **LOC (9) Cl.** **14-03**

(52) **U.S. Cl.** **D14/138 AD**

(58) **Field of Classification Search** D14/138 R,
D14/138 AD, 138 AC, 138 C, 138 G, 191,
D14/203.1–203.8, 496, 138 AA, 138 AB,
D14/247–248, 137, 147, 218, 341–347; D10/65,
D10/78, 104; D13/168; D18/7; 455/566,
455/575.1, 575.3

See application file for complete search history.

(56) **References Cited**

U.S. PATENT DOCUMENTS

6,308,084 B1 *	10/2001	Lonka	455/556.1
D495,695 S *	9/2004	Yugaya	D14/346
D515,060 S *	2/2006	Lee et al.	D14/138 AD
D517,038 S *	3/2006	Lee et al.	D14/138 AD
D519,998 S *	5/2006	Park	D14/346
D526,297 S *	8/2006	Lee et al.	D14/138 AD
D528,533 S *	9/2006	Lee et al.	D14/138 AD
D535,966 S *	1/2007	Lee et al.	D14/138 AD
D547,292 S *	7/2007	Kim et al.	D14/138 AC
D548,715 S *	8/2007	Lee et al.	D14/138 AD
D549,207 S *	8/2007	Koh et al.	D14/138 AD
D553,115 S *	10/2007	Suk et al.	D14/138 AD
D557,245 S *	12/2007	Kim et al.	D14/138 AD
D562,288 S *	2/2008	Suk et al.	D14/138 AD
D564,921 S *	3/2008	Cheng	D10/65

(Continued)

OTHER PUBLICATIONS

HP iPAQ rw6818, announced 2nd quarter 2006, [online], [retrieved on Feb. 20, 2007]. Retrieved from Internet ,<URL: http://www.gsmarena.com>.*

Huawei U7310, announced 2nd quarter 2008, [online], [retrieved on Feb. 20, 2009] . Retrieved from Internet ,<URL: http://www.gsmarena.com>.*

LG KG290, announced Sep. 2007, [online], [retrieved on Dec.13, 2007]. Retrieved from Internet ,<URL: http://www.gsmarena.com>.*

Samsung C3110, announced Jan. 2009, [online], [retrieved on Feb. 6, 2009]. Retrieved from Internet ,<URL: http://www.gsmarena.com>.*

Primary Examiner—Jeffrey D Asch

Assistant Examiner—Bridget L Eland

(74) *Attorney, Agent, or Firm*—Staas & Halsey LLP

(57) **CLAIM**

The ornamental design for portable phone, as shown and described.

DESCRIPTION

FIG. 1 is a front perspective view of a portable phone;

FIG. 2 is a front view of the portable phone of FIG. 1;

FIG. 3 is a rear view of the portable phone of FIG. 1;

FIG. 4 is a left-side view of the portable phone of FIG. 1;

FIG. 5 is a right-side view of the portable phone of FIG. 1;

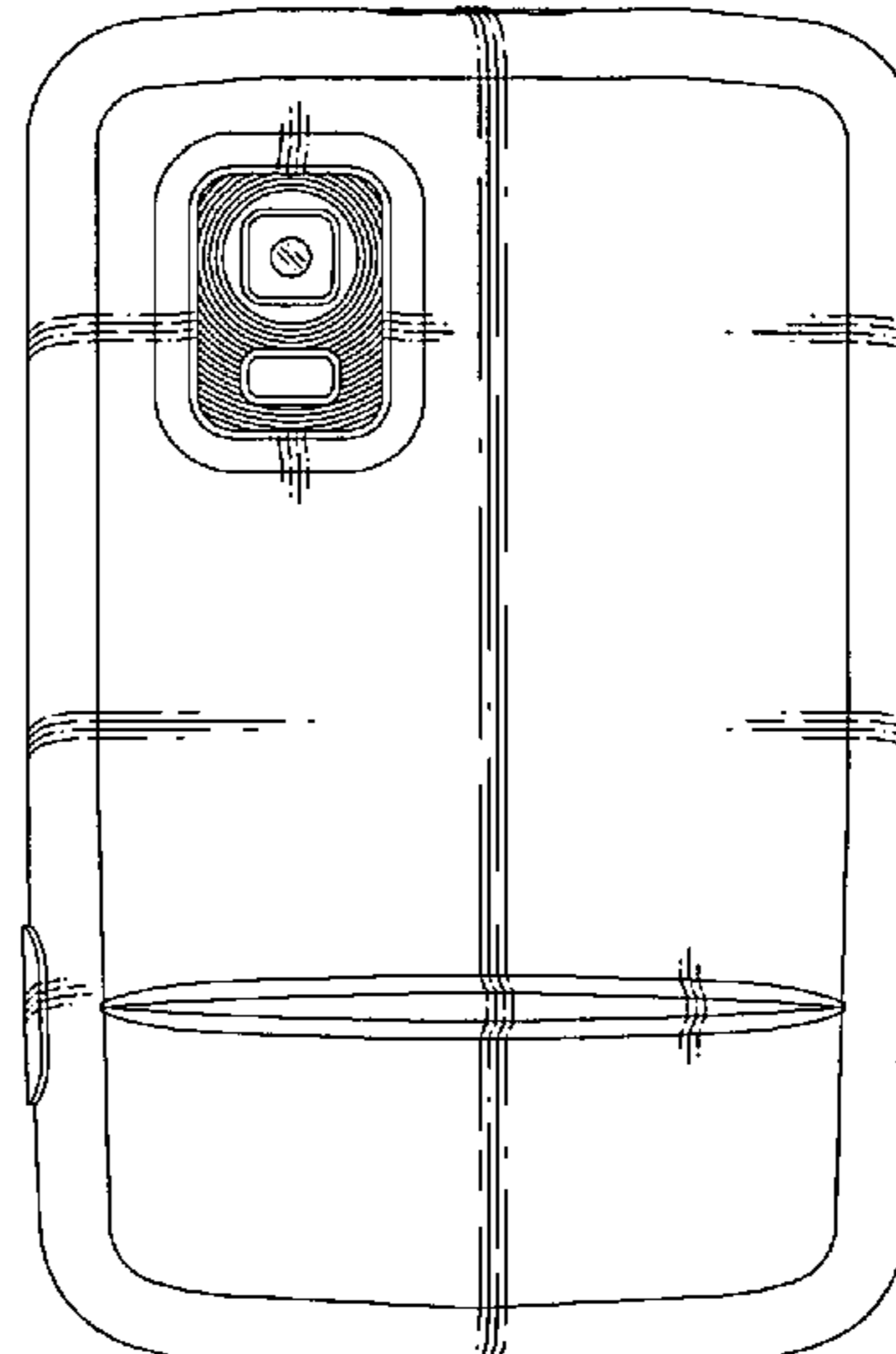
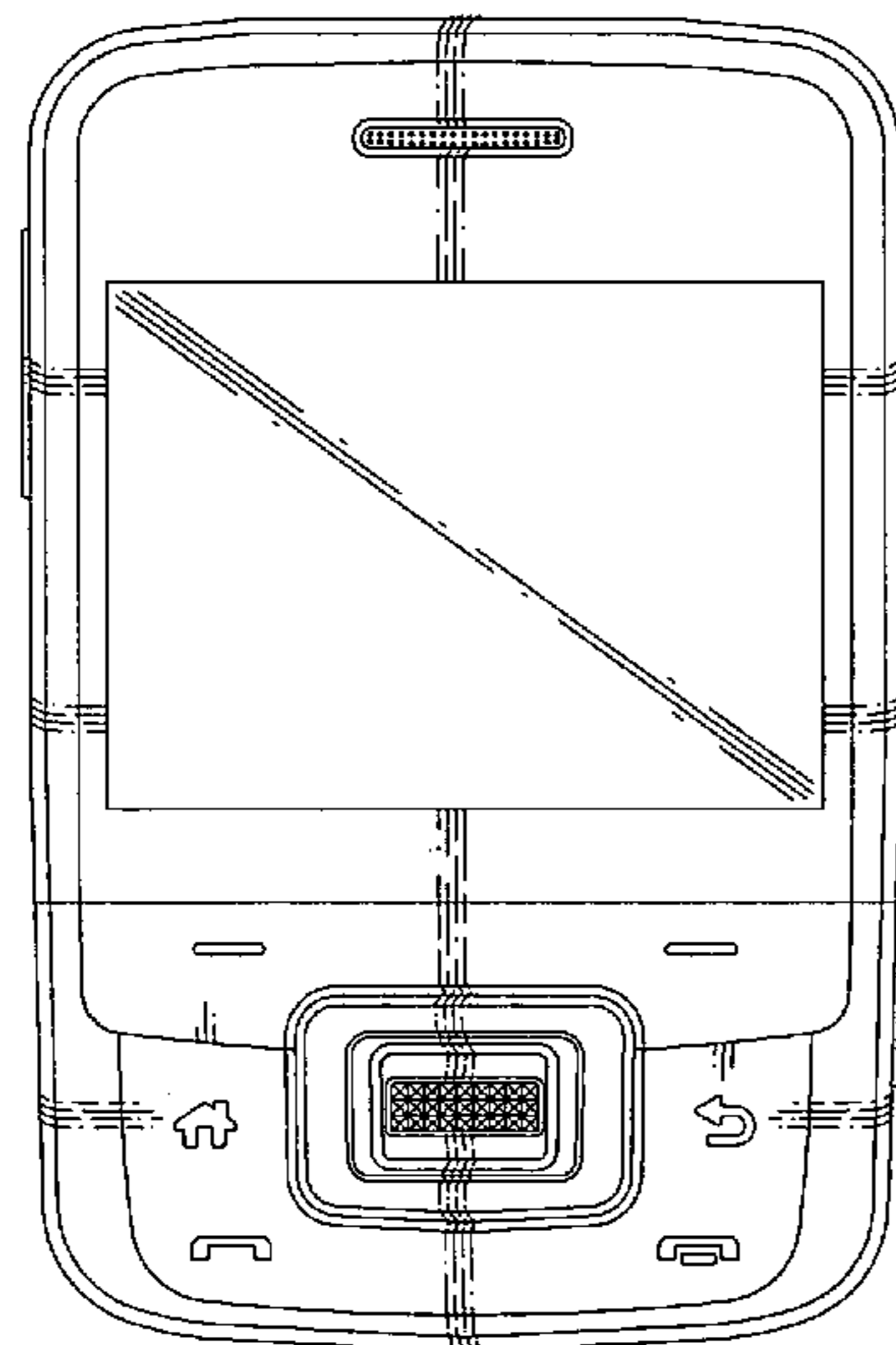
FIG. 6 is a top plan view of the portable phone of FIG. 1;

FIG. 7 is a bottom plan view of the portable phone of FIG. 1; and,

FIG. 8 is a front open view of the portable phone of FIG. 1.

The broken lines immediately adjacent the shaded areas represent the bounds of the claimed design while all other broken lines are directed to environment and are for illustrative purposes only; the broken lines form no part of the claimed design.

1 Claim, 6 Drawing Sheets



US D601,995 S

Page 2

U.S. PATENT DOCUMENTS

D565,016 S *	3/2008	Kwon et al.	D14/138 AD	D593,519 S *	6/2009	Hong et al.	D14/138 AD
D578,095 S *	10/2008	Chung et al.	D14/138 AD	D594,838 S *	6/2009	Choi et al.	D14/138 AD
D579,899 S *	11/2008	Park et al.	D14/138 AD	D594,839 S *	6/2009	Kim et al.	D14/138 AD
D581,386 S *	11/2008	Oh et al.	D14/138 AD	2005/0124381 A1 *	6/2005	Kim et al.	455/556.1
D593,518 S *	6/2009	Hong et al.	D14/138 AD	2005/0124388 A1 *	6/2005	Seo et al.	455/566
				2006/0205450 A1 *	9/2006	Amano et al.	455/575.4

* cited by examiner

FIG. 1

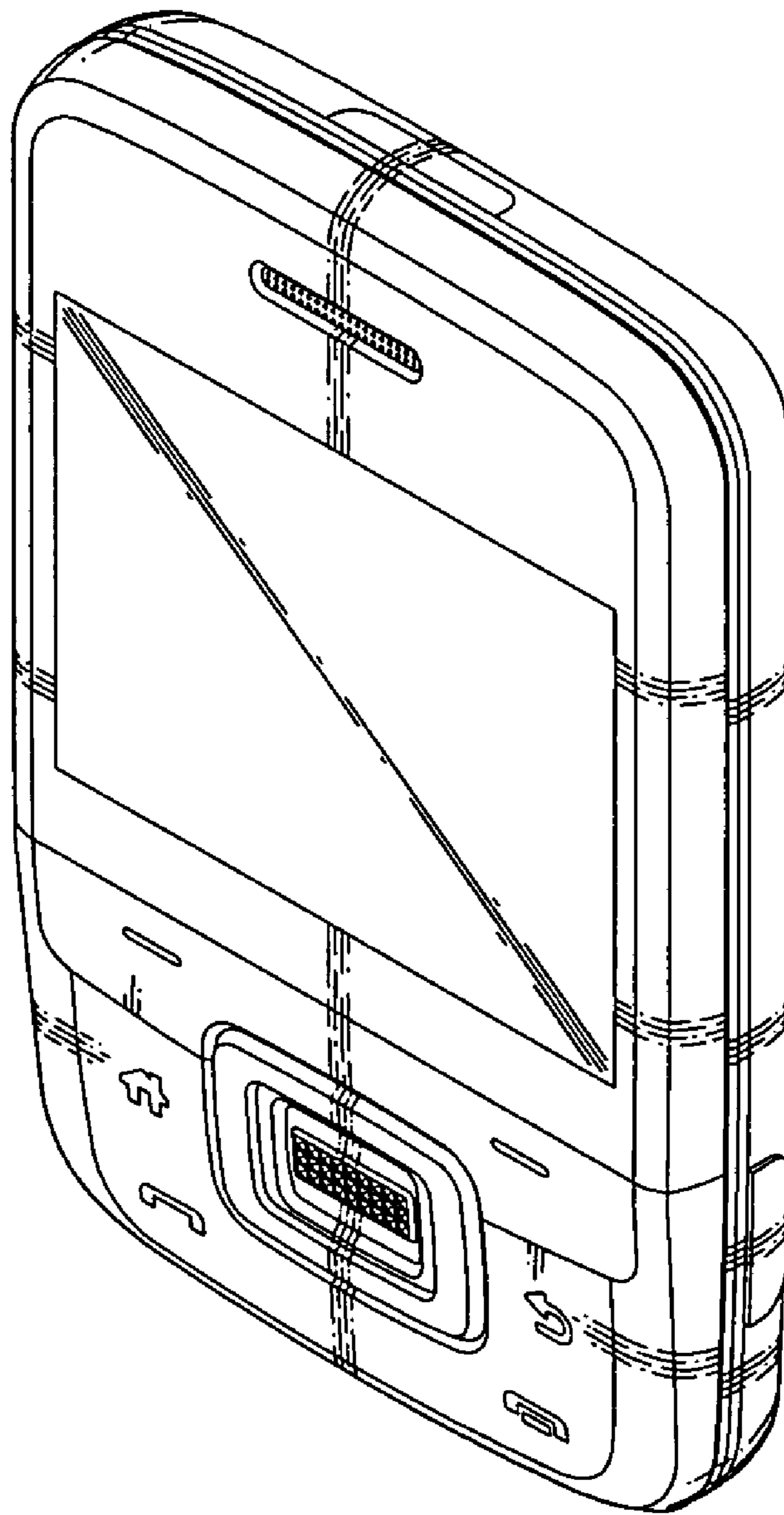


FIG. 2

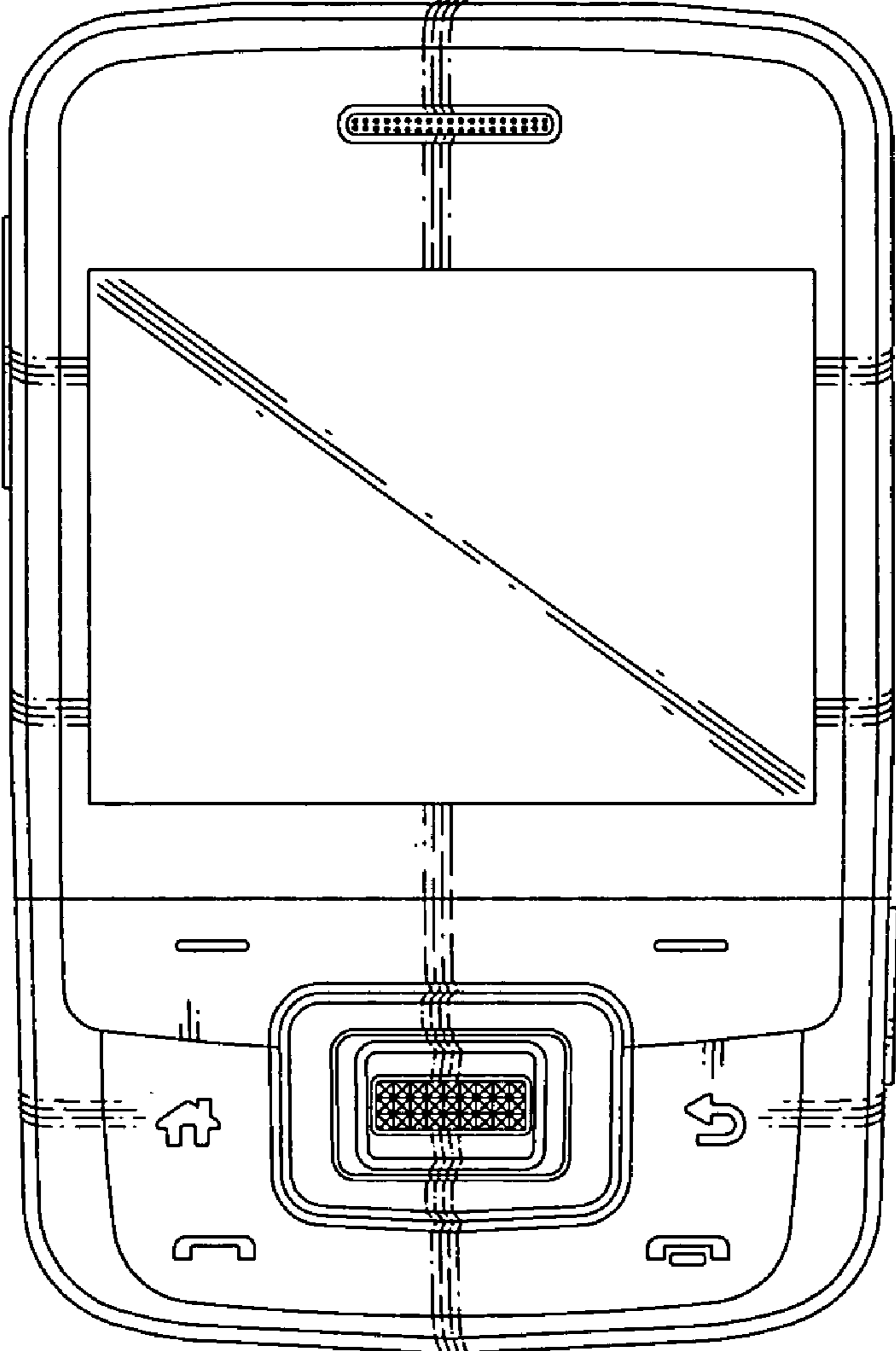


FIG. 3

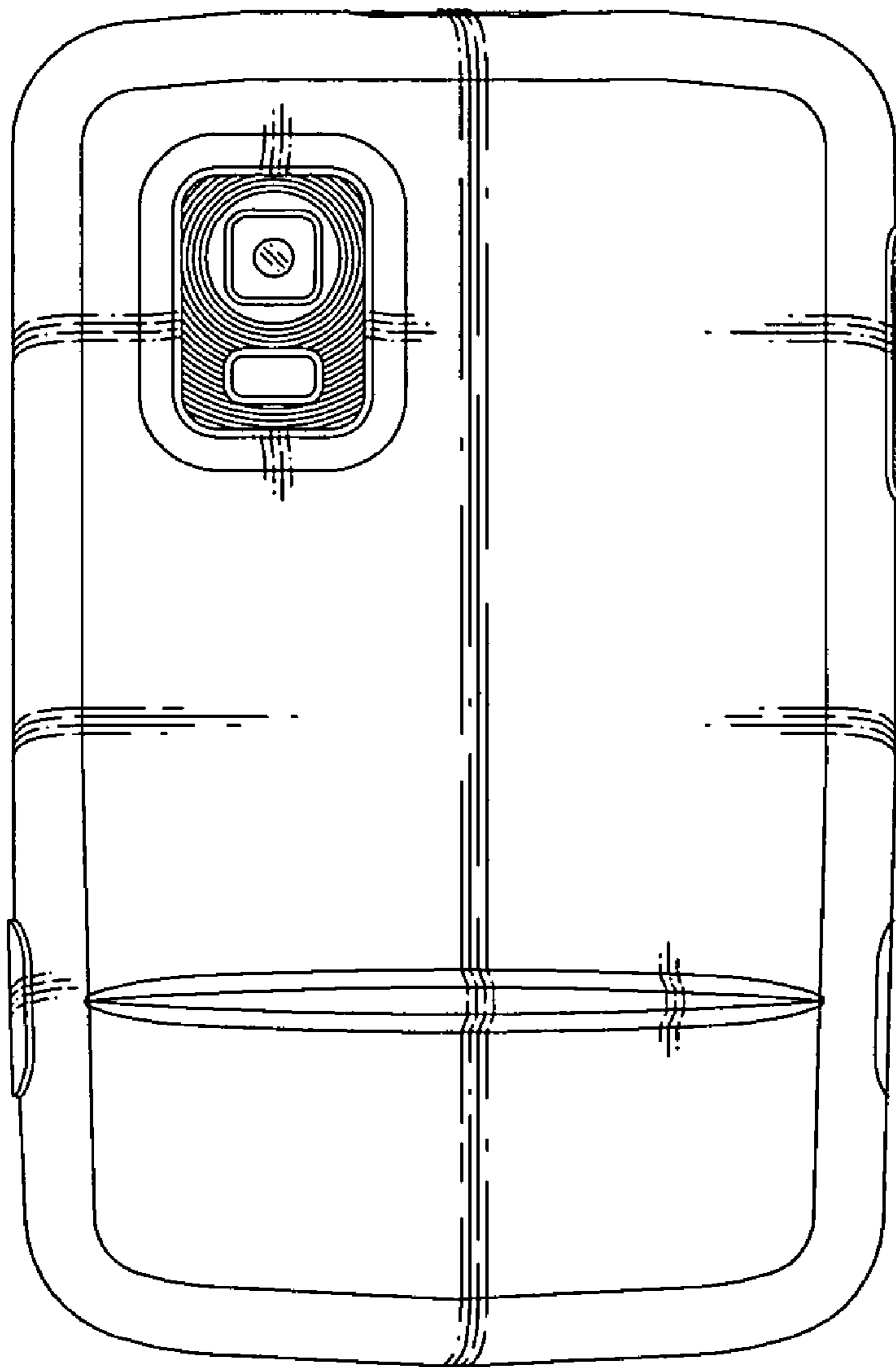


FIG. 4

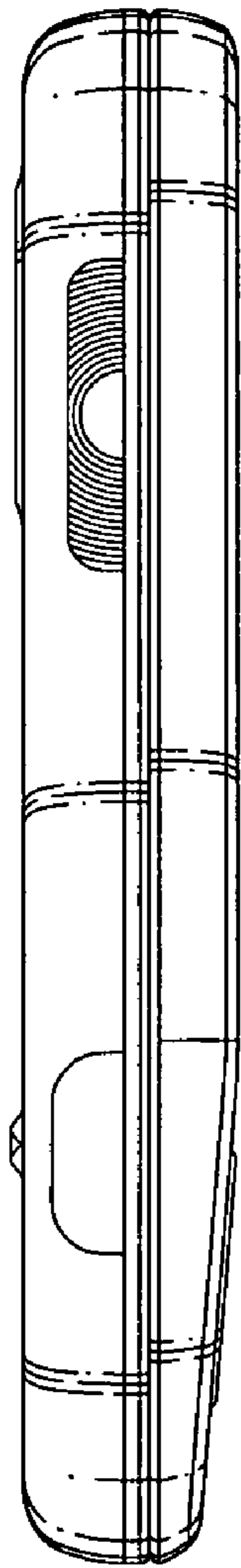


FIG. 5

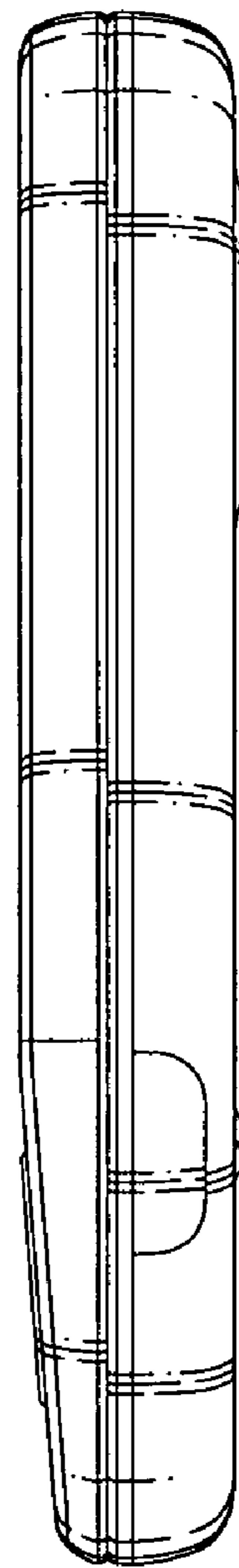


FIG. 6

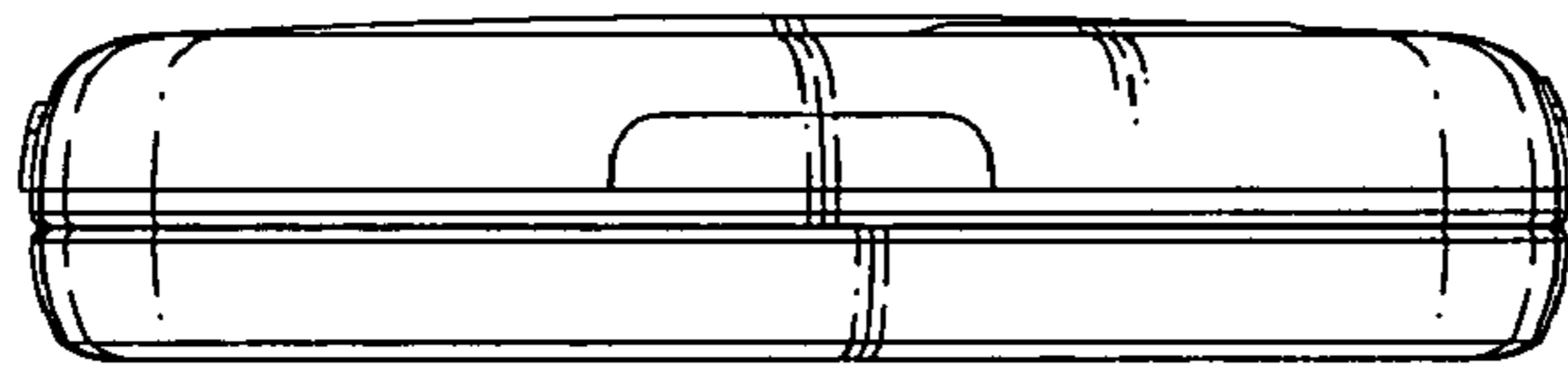


FIG. 7



FIG. 8

