



US00D601993S

(12) **United States Design Patent**
Yun et al.

(10) **Patent No.:** **US D601,993 S**
(45) **Date of Patent:** **** Oct. 13, 2009**

(54) **PORTABLE PHONE**

7,369,882 B2 * 5/2008 Hwang et al. 455/575.1
D572,695 S * 7/2008 Tu D14/138 AD

(75) Inventors: **Joon-Ki Yun**, Seoul (KR); **Nam-Su Kim**, Seoul (KR); **Chang-Hwan Hwang**, Goyang-Si (KR)

(Continued)

(73) Assignee: **Samsung Electronics Co., Ltd.**, Suwon-Si (KR)

OTHER PUBLICATIONS

(**) Term: **14 Years**

(21) Appl. No.: **29/328,115**

(22) Filed: **Nov. 19, 2008**

(30) **Foreign Application Priority Data**

Oct. 17, 2008 (KR) 30-2008-0044572

Eten glofiish M700, announced Nov. 2006, [online], [retrieved on Feb. 20, 2007]. Retrieved from Internet ,<URL: http://www.gsmarena.com>.*
Eten glofiish DX900, announced Jun. 2008, [online], [retrieved on Jun. 13, 2008]. Retrieved from Internet ,<URL: http://www.gsmarena.com>.*
Samsung M3200 Beat s, announced Sep. 2008, [online], [retrieved on Sep. 19, 2008]. Retrieved from Internet ,<URL: http://www.gsmarena.com>.*
Nokia 6110 Navigator, announced Feb. 2007, [online], [retrieved on Feb. 16, 2007]. Retrieved from Internet ,<URL: http://www.gsmarena.com>.*

(51) **LOC (9) Cl.** **14-03**

(52) **U.S. Cl.** **D14/138 AD**

(58) **Field of Classification Search** D14/138 R,
D14/138 AD, 138 AC, 138 C, 138 G, 191,
D14/203.1–203.8, 496, 138 AA, 138 AB,
D14/137, 147, 218, 341–347; D10/65, 78,
D10/104; D13/168; D18/7; 455/566, 575.1,
455/575.3

Primary Examiner—Jeffrey D Asch

Assistant Examiner—Bridget L Eland

(74) *Attorney, Agent, or Firm*—Staas & Halsey, LLP

See application file for complete search history.

(56) **References Cited**

U.S. PATENT DOCUMENTS

D466,096 S * 11/2002 Takada D14/138 AD
D479,215 S * 9/2003 Yokoyama D14/138 AD
D503,699 S * 4/2005 Lee et al. D14/138 AD
D509,202 S * 9/2005 Lee et al. D14/138 AD
D511,342 S * 11/2005 Chien D14/346
D517,038 S * 3/2006 Lee et al. D14/138 AD
D526,984 S * 8/2006 Kim et al. D14/138 AD
D527,364 S * 8/2006 Lee et al. D14/138 AD
D530,295 S * 10/2006 Chung et al. D14/138 AD
D543,176 S * 5/2007 Hyun et al. D14/138 G
D545,289 S * 6/2007 Wang D14/138 AD
D548,213 S * 8/2007 Lee et al. D14/138 AC
D553,599 S * 10/2007 Lee et al. D14/138 AC
D563,369 S * 3/2008 Kim et al. D14/138 AD

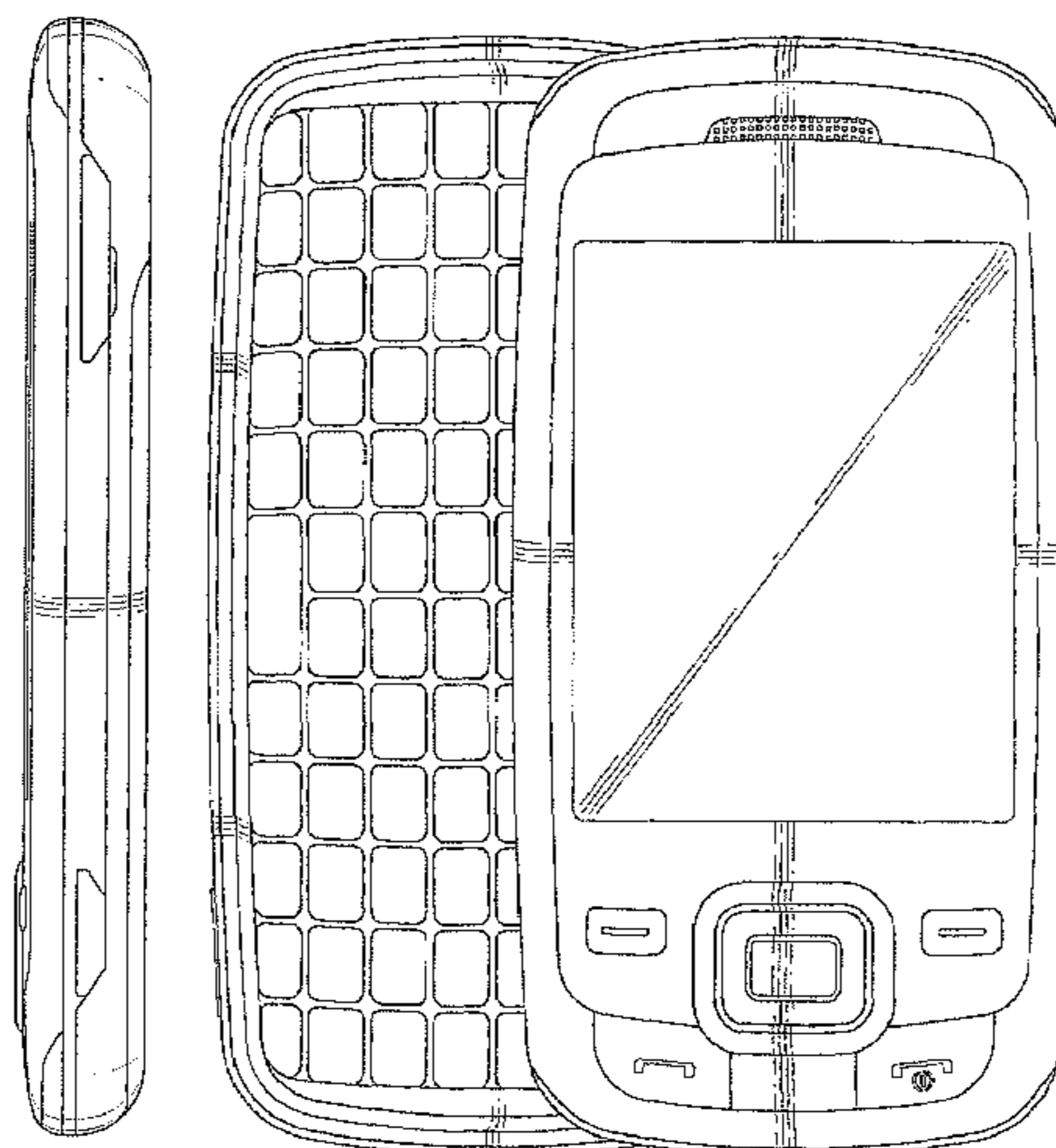
(57) **CLAIM**

The ornamental design for a portable phone, as shown and described.

DESCRIPTION

FIG. 1 is a perspective view of a portable phone;
FIG. 2 is a front view of the portable phone of FIG. 1;
FIG. 3 is a rear view of the portable phone of FIG. 1;
FIG. 4 is a left-side view of the portable phone of FIG. 1;
FIG. 5 is a right-side view of the portable phone of FIG. 1;
FIG. 6 is a top plan view of the portable phone of FIG. 1;
FIG. 7 is a bottom plan view of the portable phone of FIG. 1;
and
FIG. 8 is a front open view of the portable phone of FIG. 1;
and,
FIG. 9 is another front open view of the portable phone of FIG. 1.

1 Claim, 7 Drawing Sheets



US D601,993 S

Page 2

U.S. PATENT DOCUMENTS

D576,986 S *	9/2008	Kim et al.	D14/138 AD	D587,671 S *	3/2009	Park et al.	D14/138 AD
D579,899 S *	11/2008	Park et al.	D14/138 AD	D593,518 S *	6/2009	Hong et al.	D14/138 AD
D580,430 S *	11/2008	Wei	D14/341	D593,519 S *	6/2009	Hong et al.	D14/138 AD
D580,929 S *	11/2008	Kao et al.	D14/346	2005/0255897 A1 *	11/2005	Lee et al.	455/575.4
D583,340 S *	12/2008	Montin et al.	D14/138 AD	2006/0205450 A1 *	9/2006	Amano et al.	455/575.4

* cited by examiner

FIG. 1

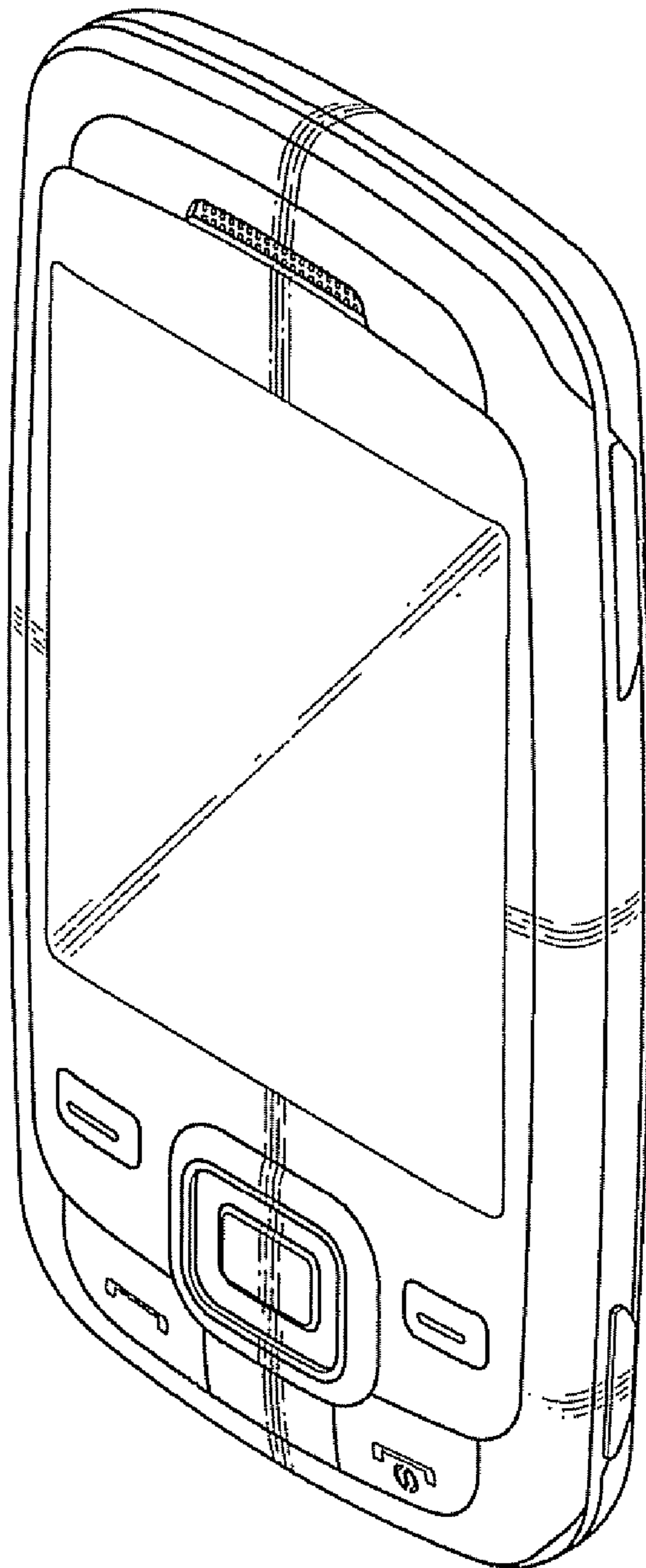


FIG. 2

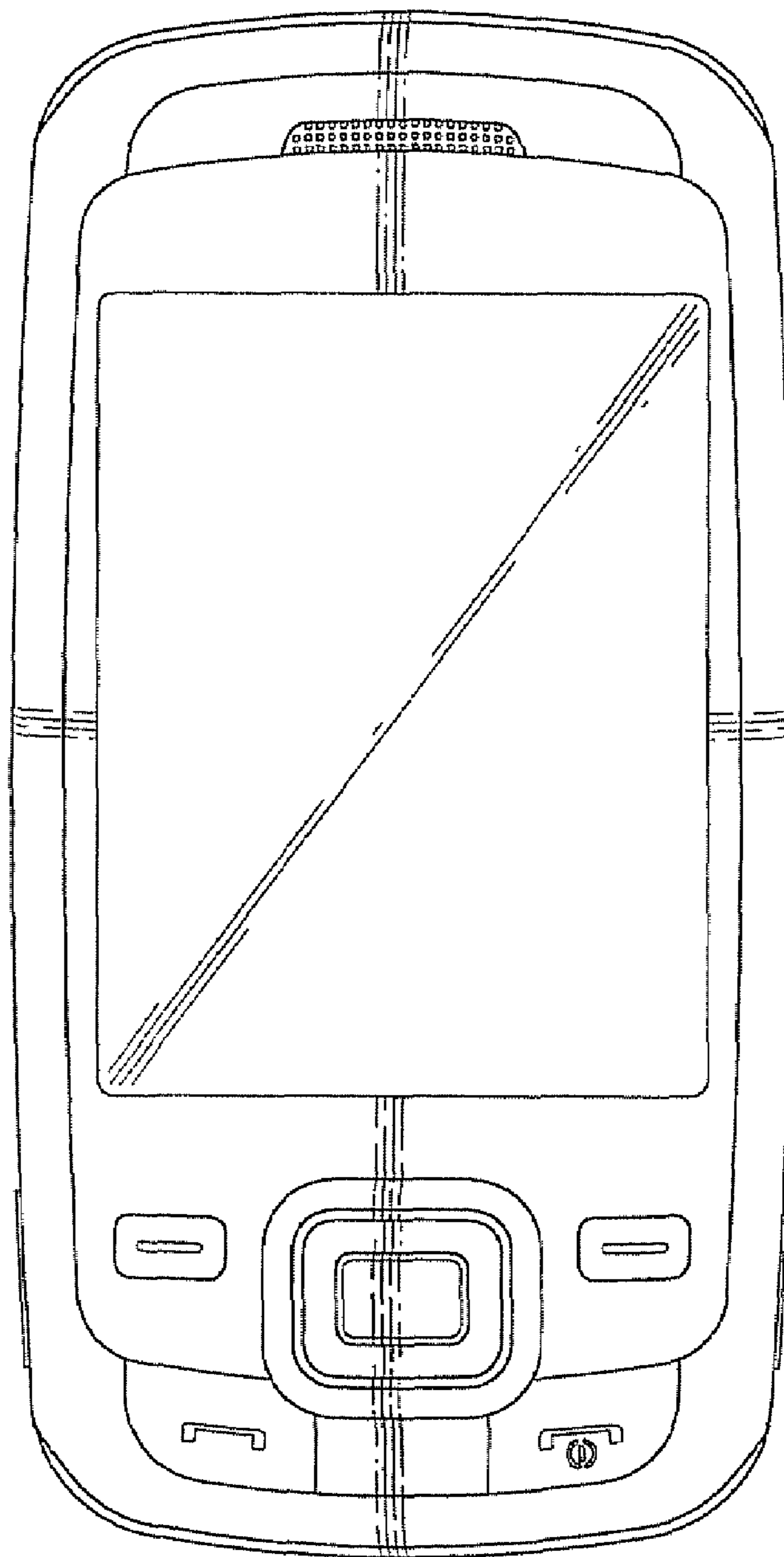


FIG. 3

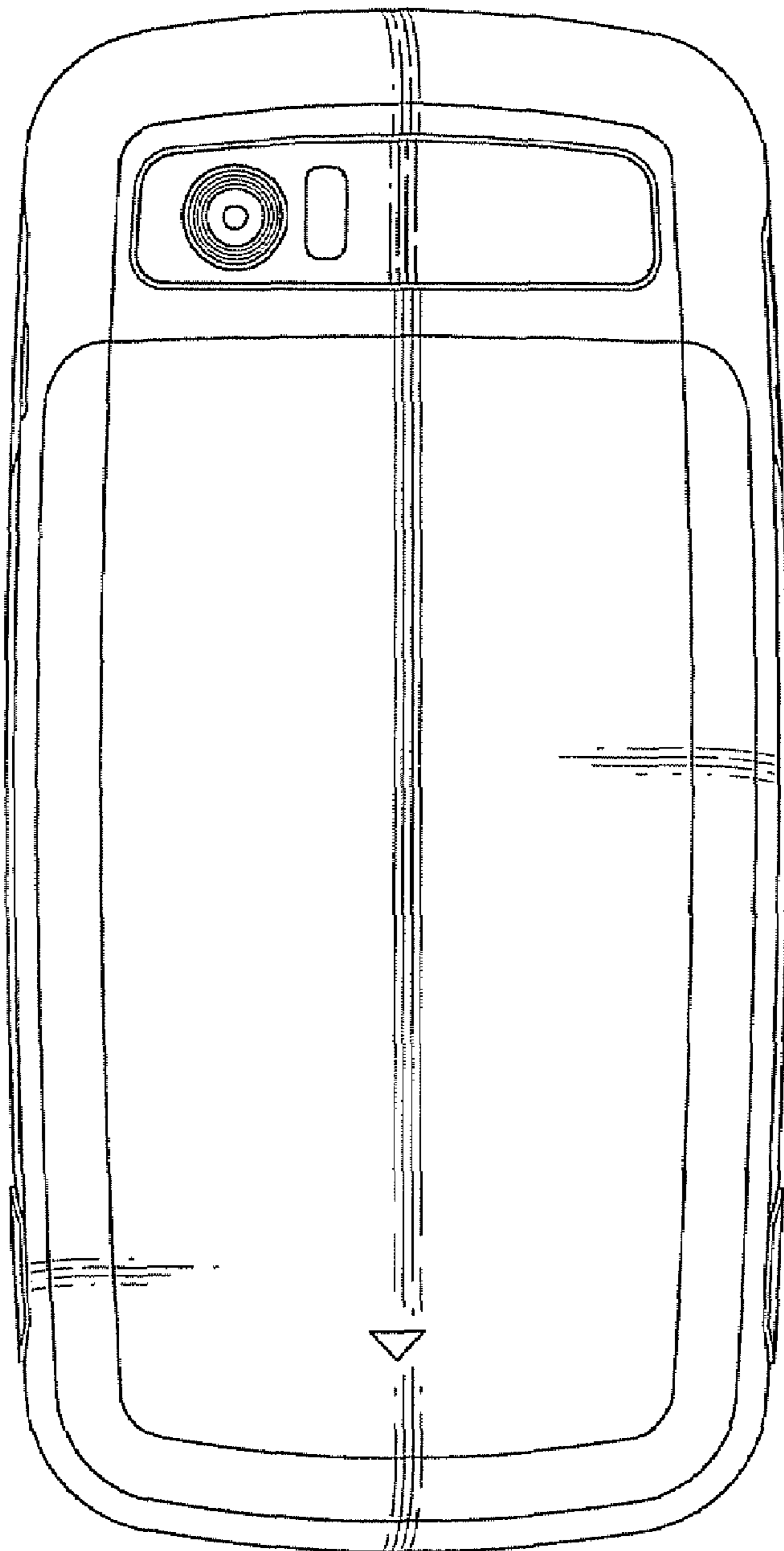


FIG. 4

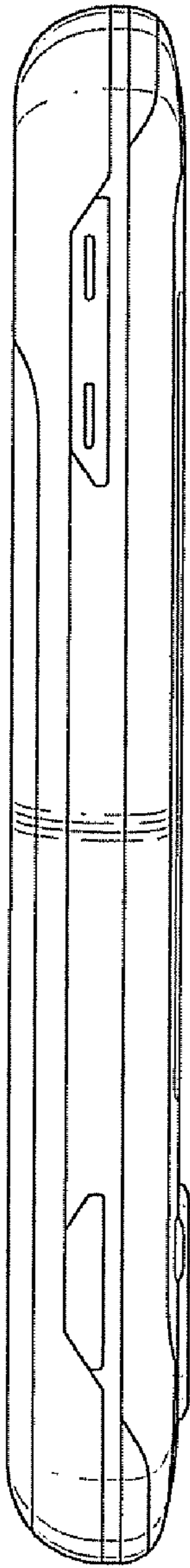


FIG. 5

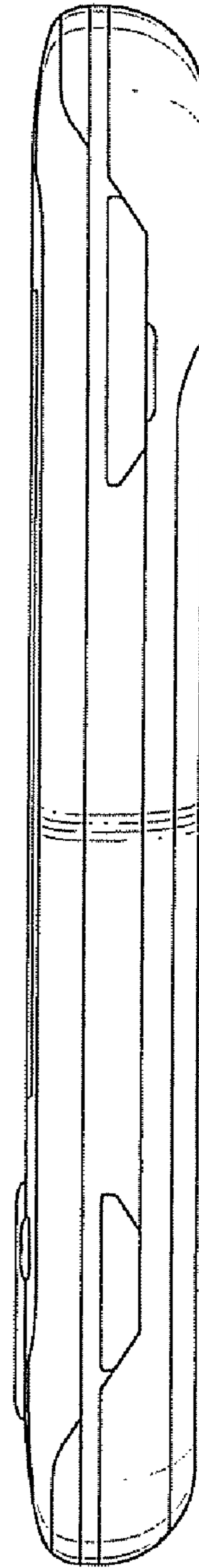


FIG. 6

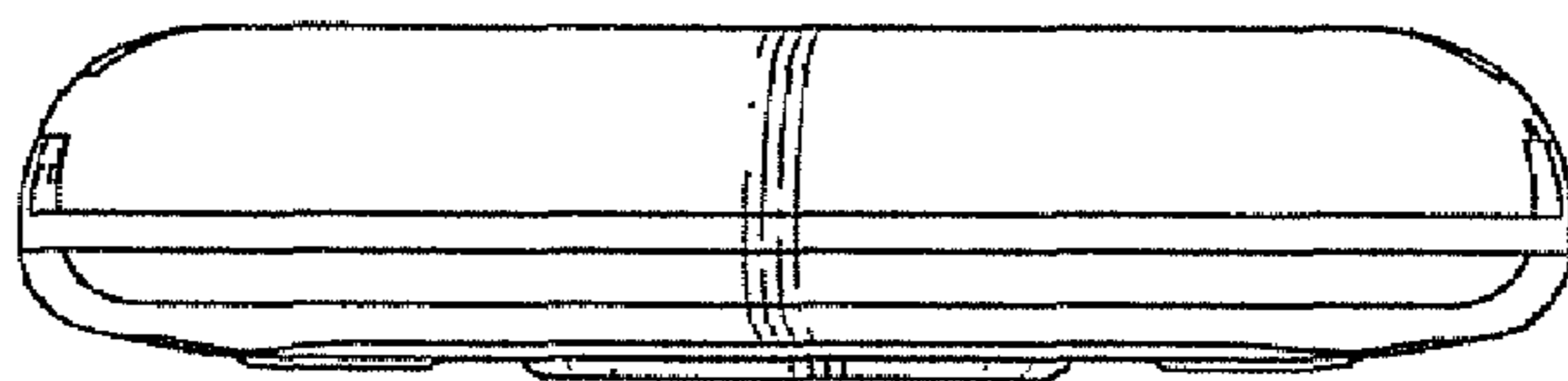


FIG. 7

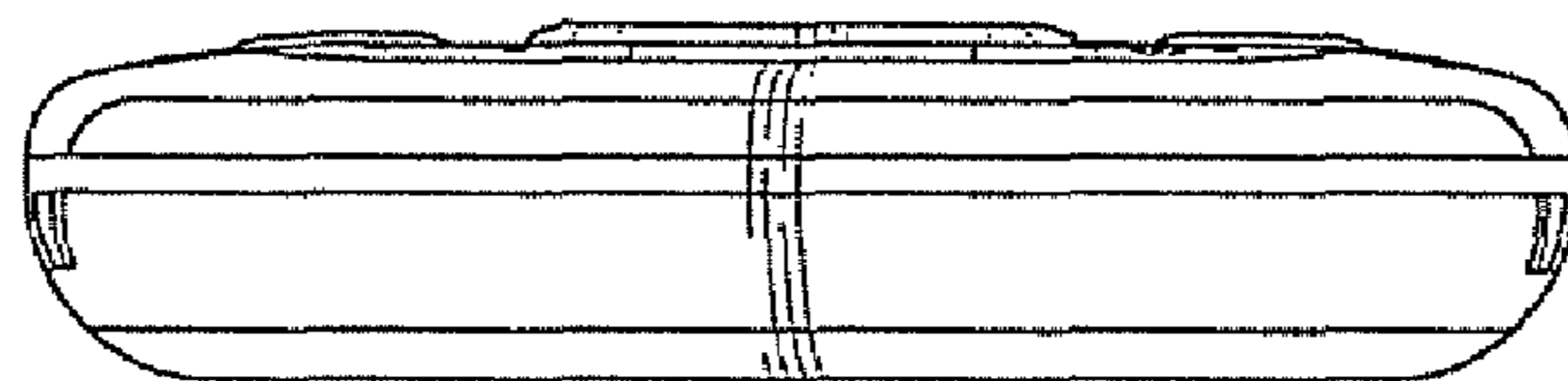


FIG. 8

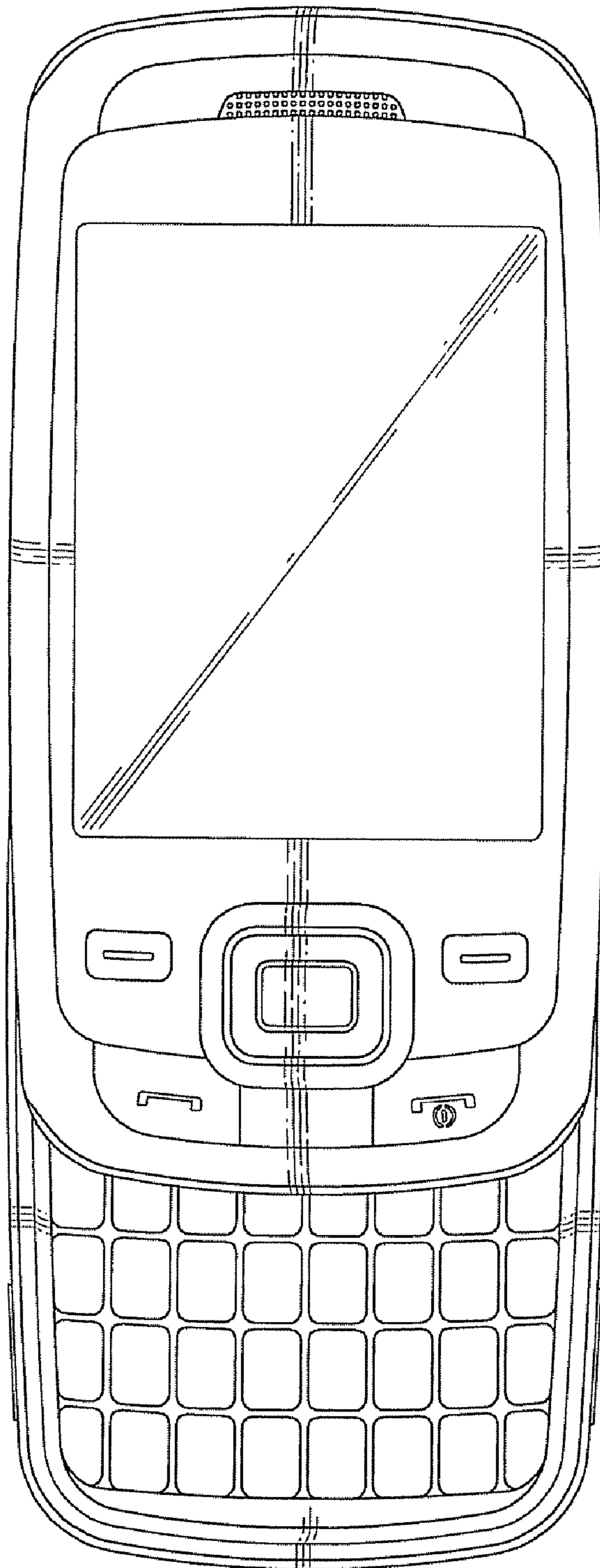


FIG. 9

