



US00D601992S

(12) **United States Design Patent**
Choi et al.

(10) **Patent No.:** **US D601,992 S**
(45) **Date of Patent:** **** Oct. 13, 2009**

(54) **PORTABLE PHONE**

(75) Inventors: **Jung-Hyun Choi**, Seoul (KR);
Seung-Min Park, Seoul (KR);
Seog-Guen Kim, Seoul (KR)

(73) Assignee: **Samsung Electronics Co., Ltd**,
Suwon-Si (KR)

(**) Term: **14 Years**

(21) Appl. No.: **29/328,053**

(22) Filed: **Nov. 18, 2008**

(30) **Foreign Application Priority Data**

Sep. 10, 2008 (KR) 30-2008-0039408

(51) **LOC (9) Cl.** **14-03**

(52) **U.S. Cl.** **D14/138 AB**

(58) **Field of Classification Search** D14/138 AB,
D14/496, 345, 346, 203.3, 203.4, 203.7, 138 AD,
D14/327; 455/575.3; D21/329-331
See application file for complete search history.

(56) **References Cited**

U.S. PATENT DOCUMENTS

- D285,805 S * 9/1986 Yubisui et al. D18/7
- D343,832 S * 2/1994 Haraga et al. D14/327
- D364,606 S * 11/1995 Bliven D14/327
- D390,541 S * 2/1998 Chiba D14/345
- 5,896,575 A * 4/1999 Higginbotham et al. 455/566
- D519,094 S * 4/2006 Helin D14/138 AA
- D545,287 S * 6/2007 Han et al. D14/138 AB
- D547,295 S * 7/2007 Park D14/138 AB
- D552,070 S * 10/2007 Park D14/138 AB
- D552,584 S * 10/2007 Lee D14/138 AA
- D557,240 S * 12/2007 Lee D14/138 AB
- D557,674 S * 12/2007 Lee et al. D14/138 AB
- D563,371 S * 3/2008 Kim et al. D14/138 AA
- D565,017 S * 3/2008 Kim et al. D14/138 AA
- D571,773 S * 6/2008 Kim et al. D14/138 AB
- D577,018 S * 9/2008 Lin D14/346
- D577,704 S * 9/2008 Park et al. D14/138 AD
- D580,433 S * 11/2008 Chiang et al. D14/345
- D581,383 S * 11/2008 Kim et al. D14/138 AB
- D586,322 S * 2/2009 Sterzick D14/138 AB

- D591,254 S * 4/2009 Lim et al. D14/138 AA
- D591,255 S * 4/2009 Lee et al. D14/138 AA
- D592,211 S * 5/2009 Ichise et al. D14/346
- 2008/0242359 A1 * 10/2008 Seol et al. 455/566

OTHER PUBLICATIONS

Toshiba G910/G920 telephone, announced Jan. 2008, [online], [site visited Jun. 16, 2009]. Available from Internet ,<URL: <http://www.gsmarena.com>>.*

LG KT610 telephone, announced Feb. 2008, [online], [site visited Jun. 16, 2009]. Available from Internet ,<URL: <http://www.gsmarena.com>>.*

Nokia 9300 telephone, announced 3rd quarter 2004, [online], [site visited Jun. 16, 2009]. Available from Internet ,<URL: <http://www.gsmarena.com>>.*

i-mate JASJAR telephone, announced Aug. 2005, [online], [site visited Jun. 16, 2009]. Available from Internet ,<URL: <http://www.gsmarena.com>>.*

* cited by examiner

Primary Examiner—Jeffrey D Asch

(74) *Attorney, Agent, or Firm*—Staas & Halsey LLP

(57) **CLAIM**

The ornamental design for a portable phone, as shown and described.

DESCRIPTION

FIG. 1 is a perspective view of a portable phone;
 FIG. 2 is a front view of the portable phone of FIG. 1;
 FIG. 3 is a rear view of the portable phone of FIG. 1;
 FIG. 4 is a left-side view of the portable phone of FIG. 1;
 FIG. 5 is a right-side view of the portable phone of FIG. 1;
 FIG. 6 is a top plan view of the portable phone of FIG. 1;
 FIG. 7 is a bottom plan view of the portable phone of FIG. 1;
 FIG. 8 is a front open view of the portable phone of FIG. 1;
 and,
 FIG. 9 is a rear closed view of the portable phone of FIG. 1, in an alternate closed position.

1 Claim, 6 Drawing Sheets

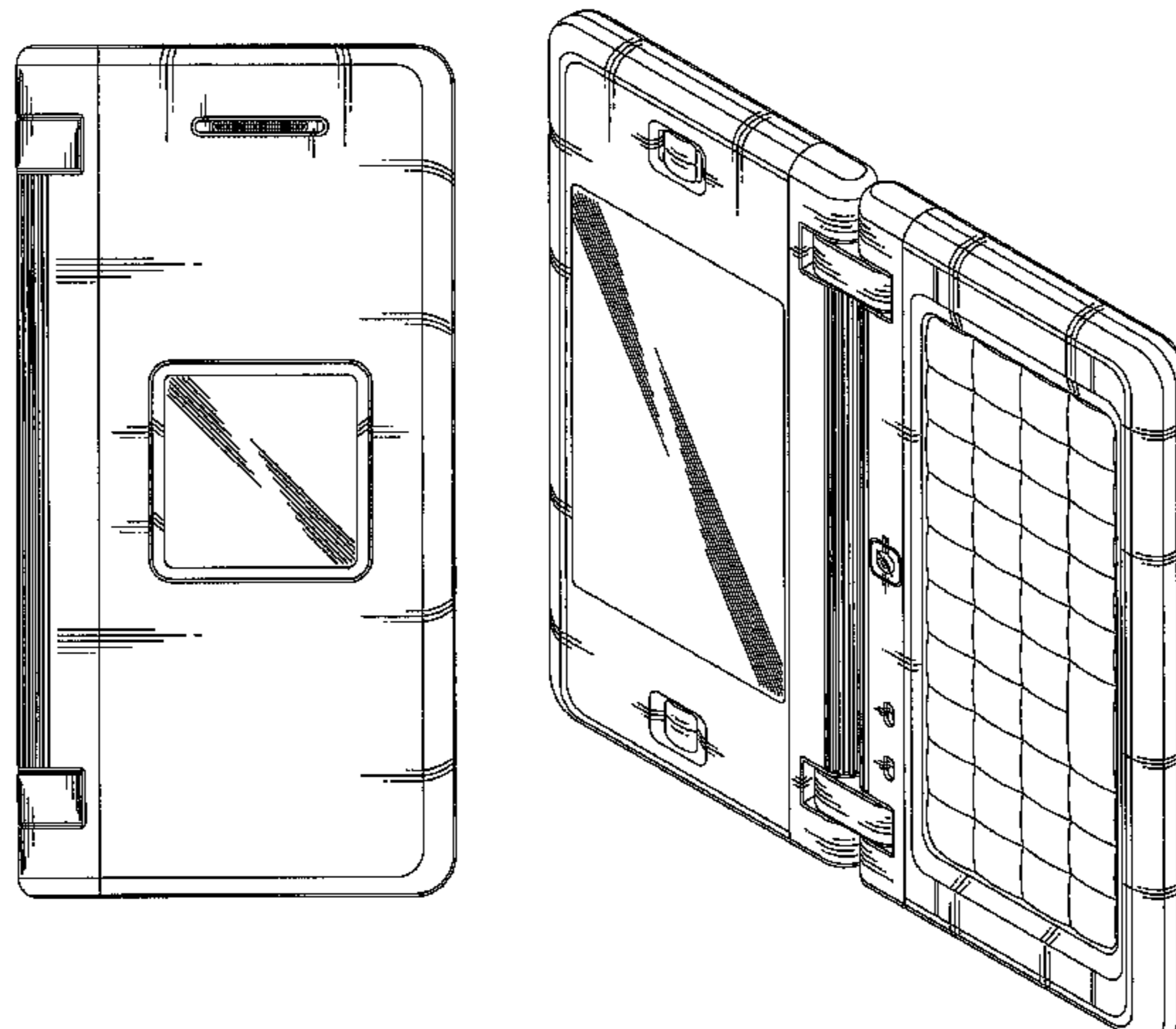


FIG. 1

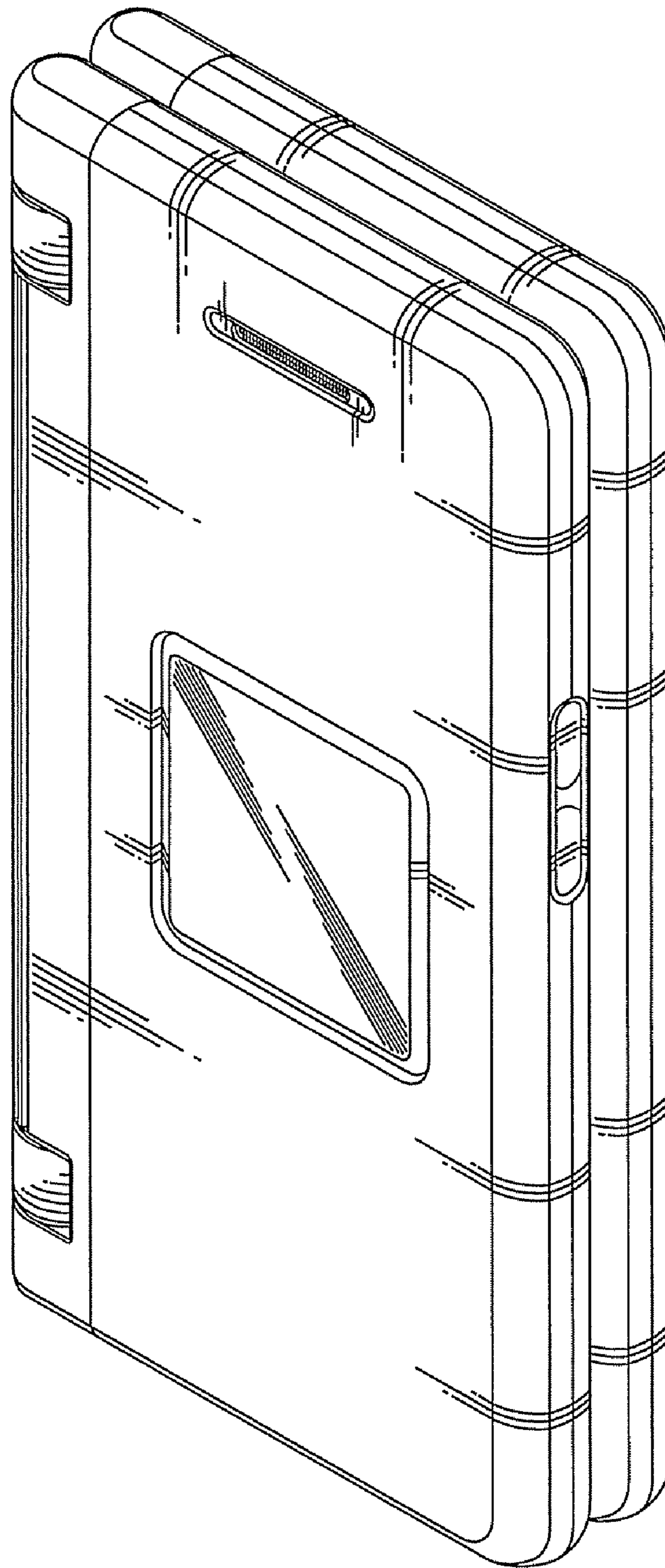


FIG. 2

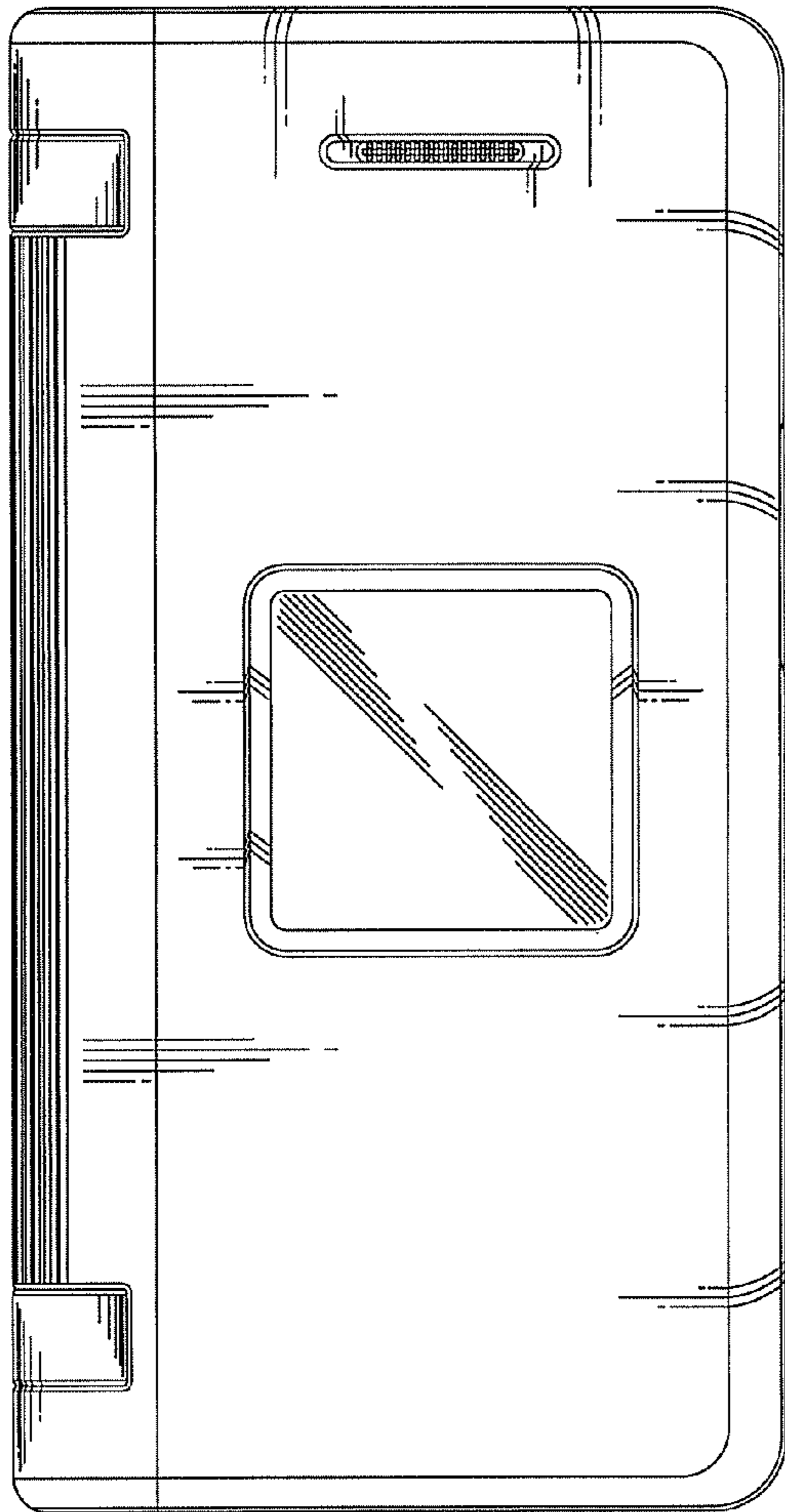


FIG. 3

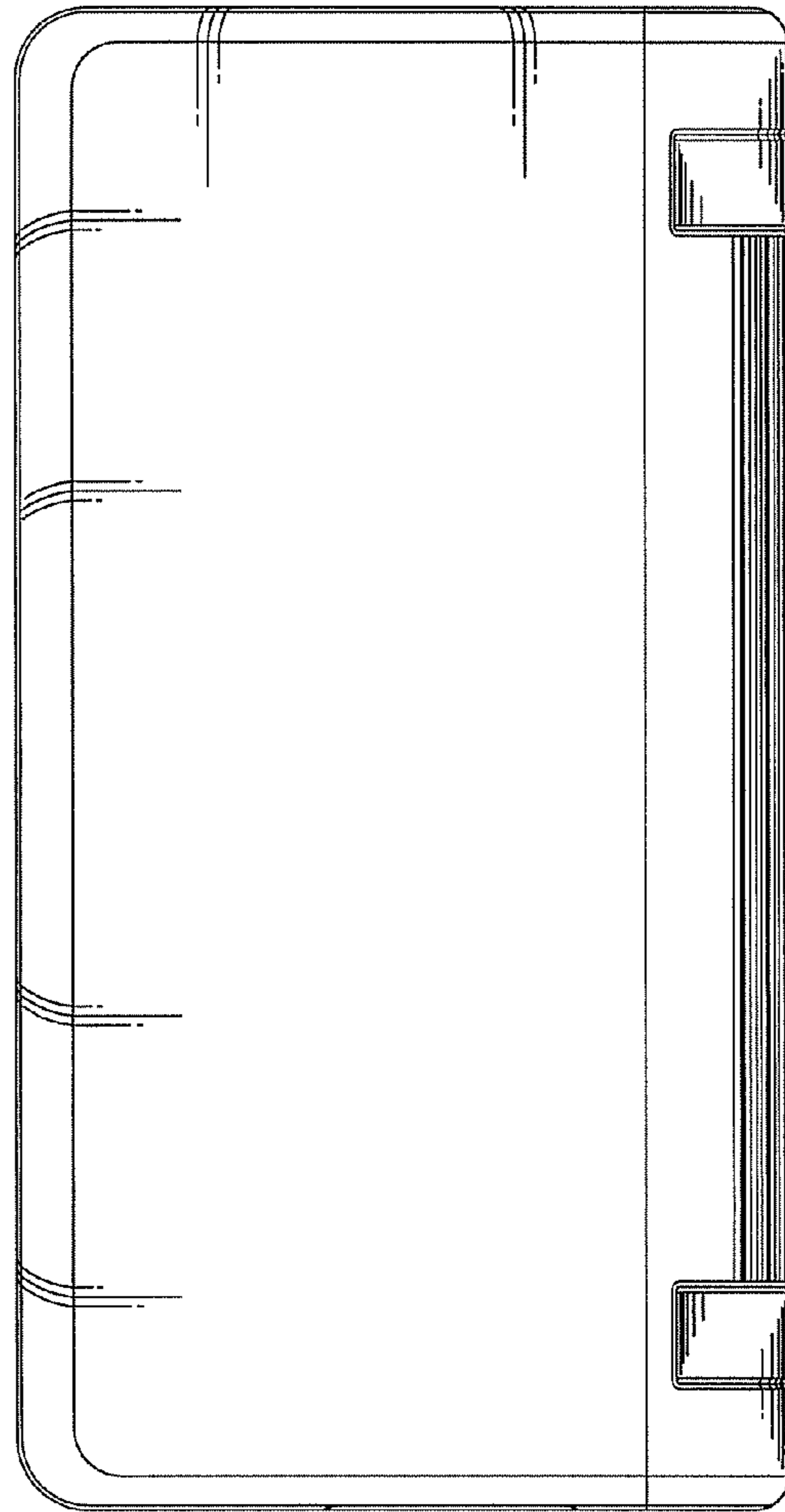


FIG. 4

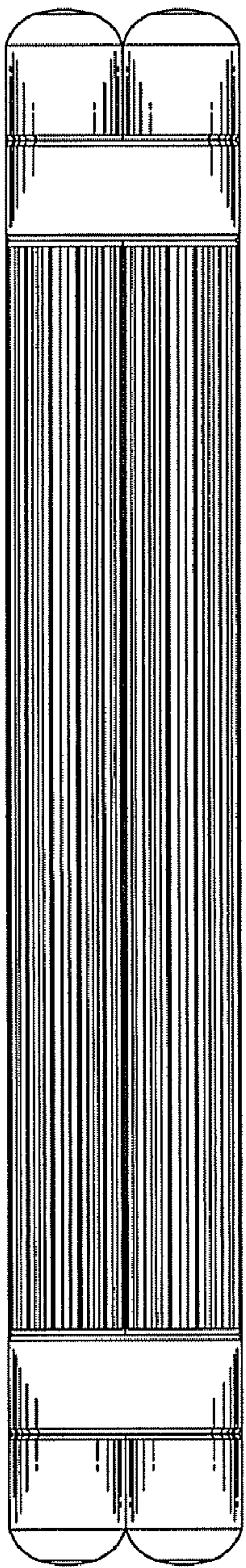


FIG. 5

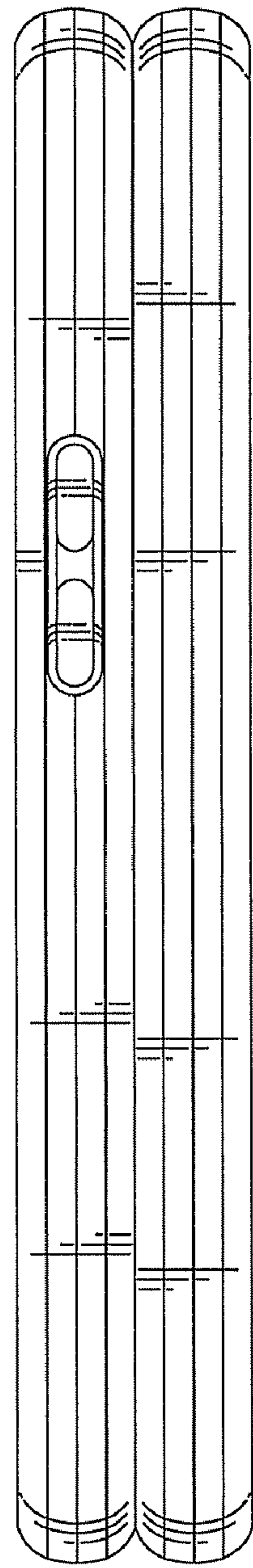


FIG. 6

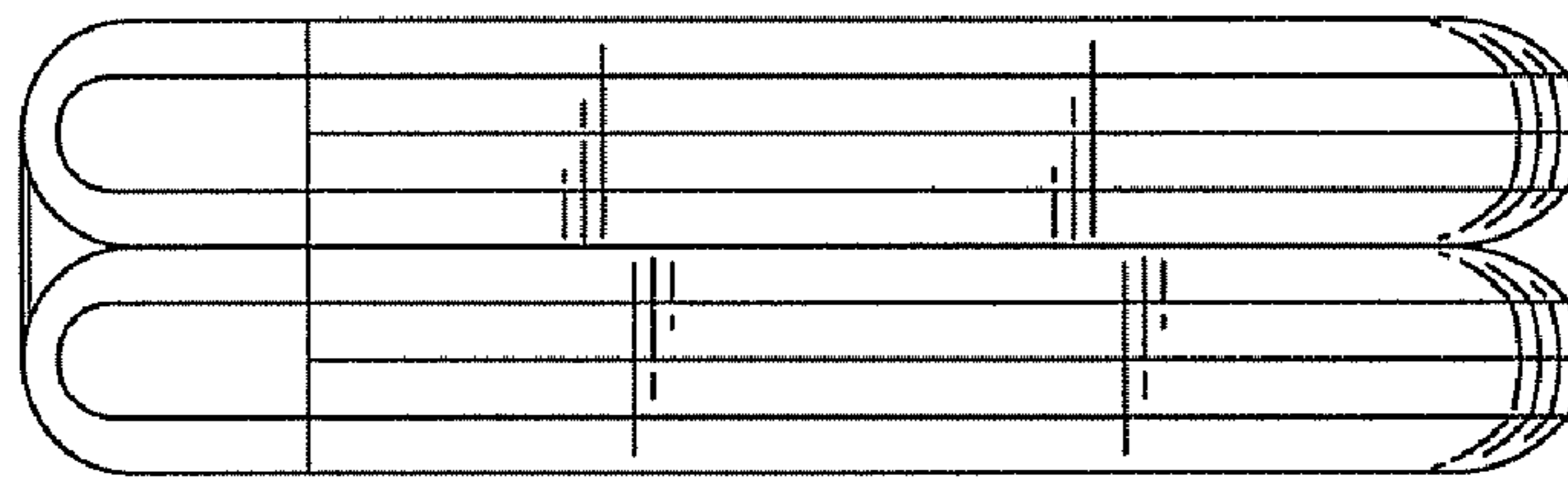


FIG. 7

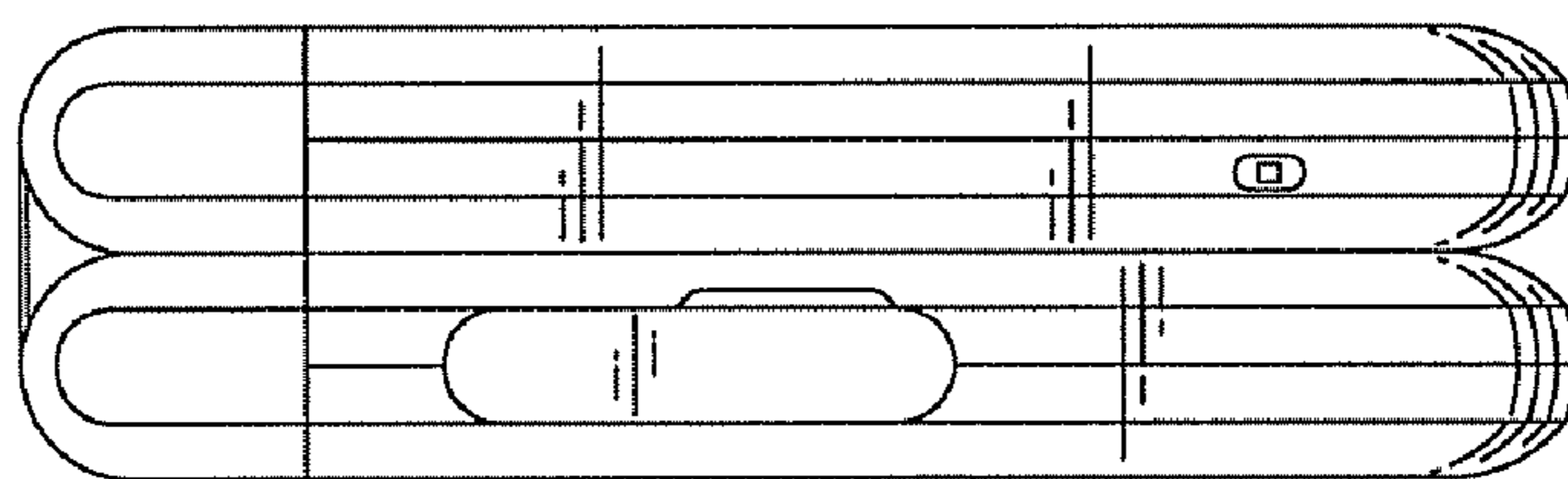


FIG. 8

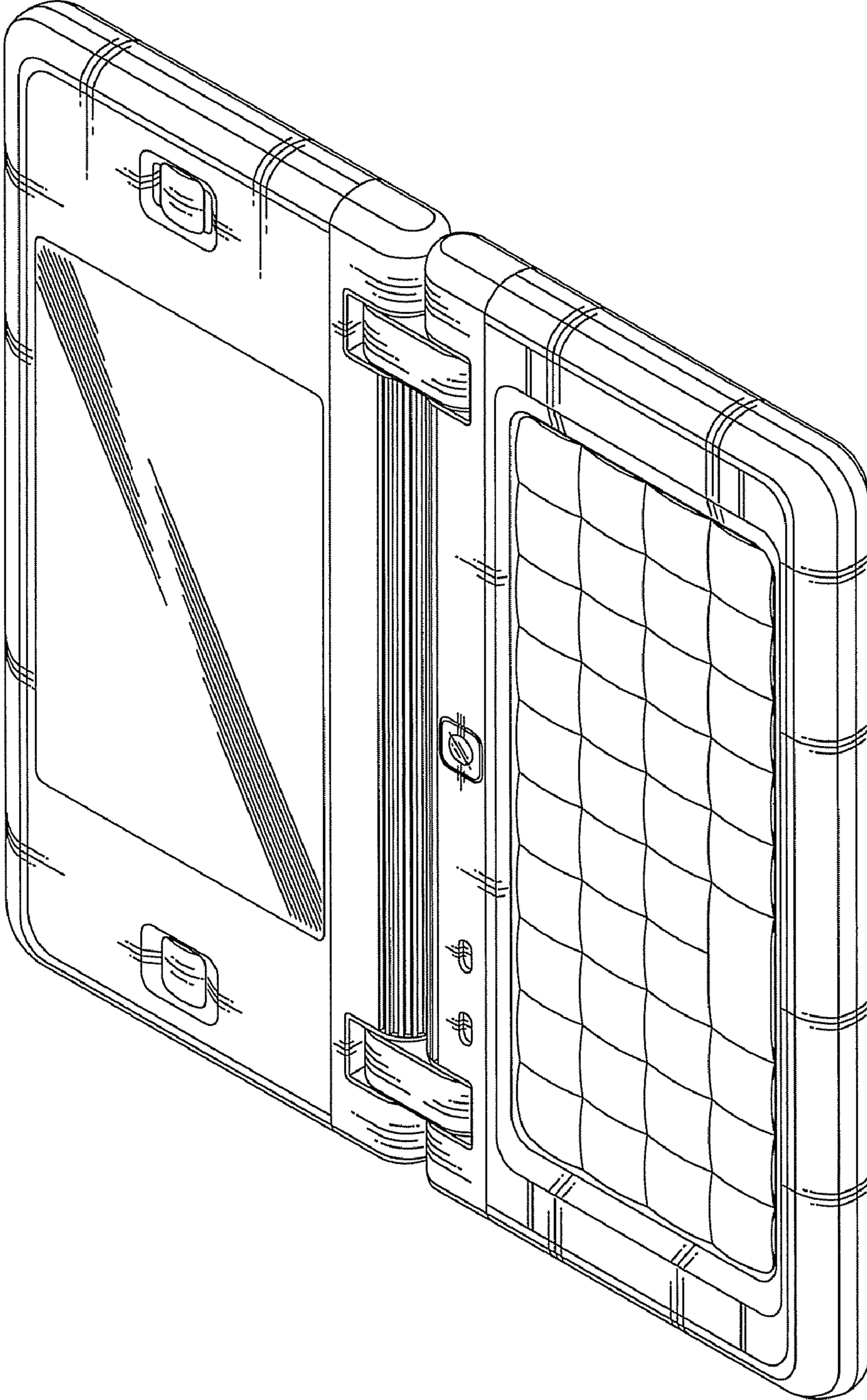


FIG. 9

