



US00D601991S

(12) **United States Design Patent**  
**Tkachuk**

(10) **Patent No.:** **US D601,991 S**

(45) **Date of Patent:** **\*\* Oct. 13, 2009**

(54) **PORTABLE PHONE**

(75) Inventor: **Steven Tkachuk**, Los Angeles, CA (US)

(73) Assignee: **Samsung Electronics Co., Ltd.**,  
Suwon-Si (KR)

(\*\*) Term: **14 Years**

(21) Appl. No.: **29/328,052**

(22) Filed: **Nov. 18, 2008**

(30) **Foreign Application Priority Data**

Sep. 10, 2008 (KR) ..... 30-2008-0039404

(51) **LOC (9) Cl.** ..... **14-03**

(52) **U.S. Cl.** ..... **D14/138 AD**

(58) **Field of Classification Search** ..... D14/138 R,  
D14/138 AD, 138 AC, 138 C, 138 G, 191,  
D14/203.1–203.8, 496, 138 AA, 138 AB,  
D14/247–248, 137, 147, 218, 341–347; D10/65,  
D10/78, 104; D13/168; D18/7; 455/566,  
455/575.1, 575.3

See application file for complete search history.

(56) **References Cited**

**U.S. PATENT DOCUMENTS**

D503,642 S *	4/2005	Hutchison et al.	.....	D10/81
D525,609 S *	7/2006	Kim et al.	.....	D14/138 AB
D528,093 S *	9/2006	Yang et al.	.....	D14/138 AA
D545,843 S *	7/2007	Song	.....	D14/496
D548,715 S *	8/2007	Lee et al.	.....	D14/138 AD
D552,579 S *	10/2007	Lee et al.	.....	D14/138 AC
D553,599 S *	10/2007	Lee et al.	.....	D14/138 AC
D569,830 S *	5/2008	Kwak	.....	D14/138 AD
D572,229 S *	7/2008	Kim et al.	.....	D14/138 AD
D575,759 S *	8/2008	Park et al.	.....	D14/138 AD
D576,989 S *	9/2008	Lee et al.	.....	D14/138 AD
D578,100 S *	10/2008	Kim et al.	.....	D14/138 AD
D578,986 S *	10/2008	Kim et al.	.....	D14/138 AD
D579,896 S *	11/2008	Kim et al.	.....	D14/138 AD
D579,900 S *	11/2008	Jeoung et al.	.....	D14/138 AD
D582,882 S *	12/2008	Kim et al.	.....	D14/138 AD
D583,340 S *	12/2008	Montin et al.	.....	D14/138 AD

D583,344 S *	12/2008	Sohn et al.	.....	D14/138 AD
D586,310 S *	2/2009	Park et al.	.....	D14/138 AD
7,489,920 B2 *	2/2009	Kim	.....	455/411
D592,170 S *	5/2009	Kim et al.	.....	D14/138 AD
7,535,459 B2 *	5/2009	You et al.	.....	345/169
2007/0049358 A1 *	3/2007	Kang et al.	.....	455/575.1
2007/0232370 A1 *	10/2007	Kim	.....	455/575.4
2008/0039159 A1 *	2/2008	Joo et al.	.....	455/575.4
2008/0242359 A1 *	10/2008	Seol et al.	.....	455/566

**OTHER PUBLICATIONS**

LG KF510, announced Feb. 2008, [online], [retrieved on Mar. 21, 2008]. Retrieved from Internet ,<URL: <http://www.gsmarena.com>>.\*

LG KF600, announced Feb. 2008, [online], [retrieved on Mar. 21, 2008]. Retrieved from Internet ,<URL: <http://www.gsmarena.com>>.\*

Samsung U900 Soul, announced Feb. 2008, [online], [retrieved on Mar. 21, 2008]. Retrieved from Internet ,<URL: <http://www.gsmarena.com>>.\*

\* cited by examiner

*Primary Examiner*—Jeffrey D Asch

*Assistant Examiner*—Bridget L Eland

(74) *Attorney, Agent, or Firm*—Staas & Halsey LLP

(57) **CLAIM**

The ornamental design for a portable phone, as shown and described.

**DESCRIPTION**

FIG. 1 is a perspective view of a portable phone;  
FIG. 2 is a front view of the portable phone of FIG. 1;  
FIG. 3 is a rear view of the portable phone of FIG. 1;  
FIG. 4 is a left-side view of the portable phone of FIG. 1;  
FIG. 5 is a right-side view of the portable phone of FIG. 1;  
FIG. 6 is a top plan view of the portable phone of FIG. 1;  
FIG. 7 is a bottom plan view of the portable phone of FIG. 1;  
and,  
FIG. 8 is a front open view of the portable phone of FIG. 1.

**1 Claim, 5 Drawing Sheets**

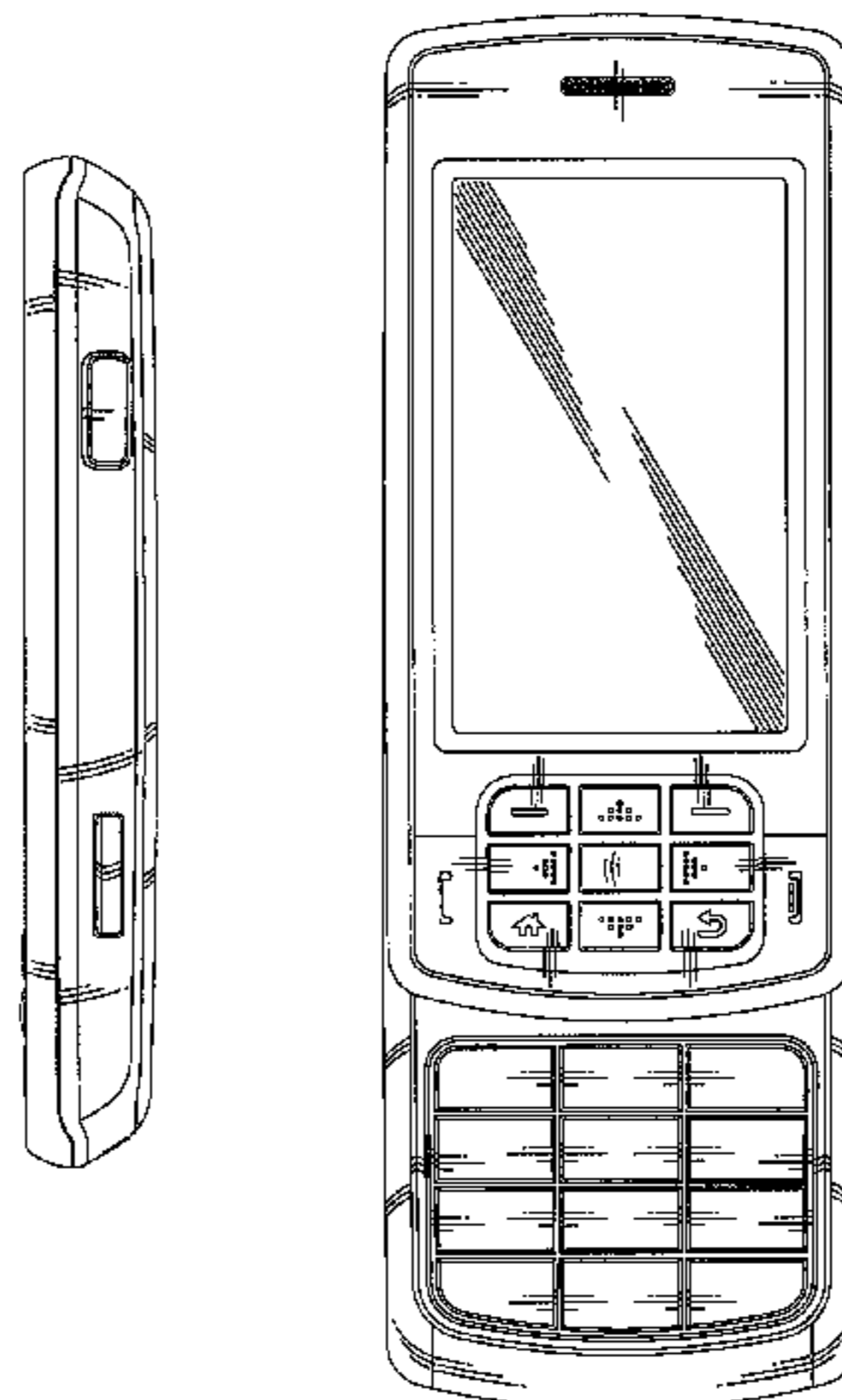


FIG. 1

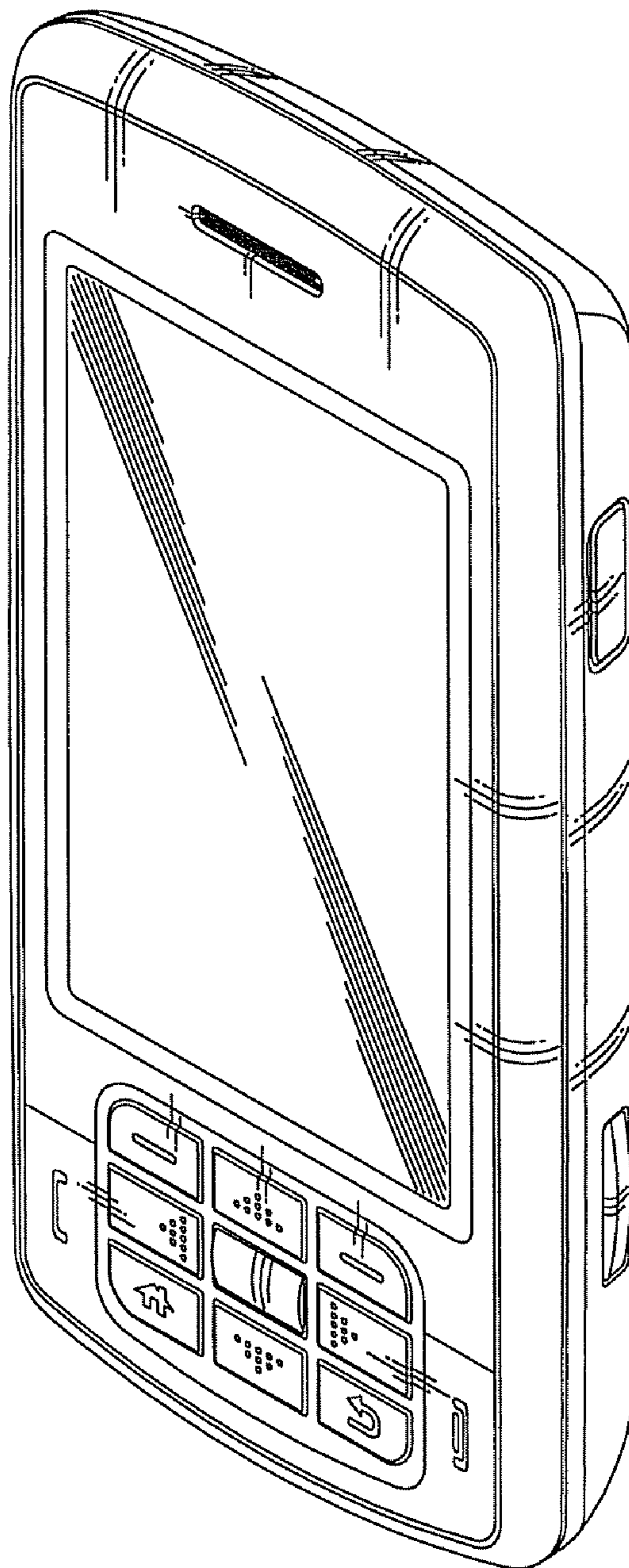


FIG. 2

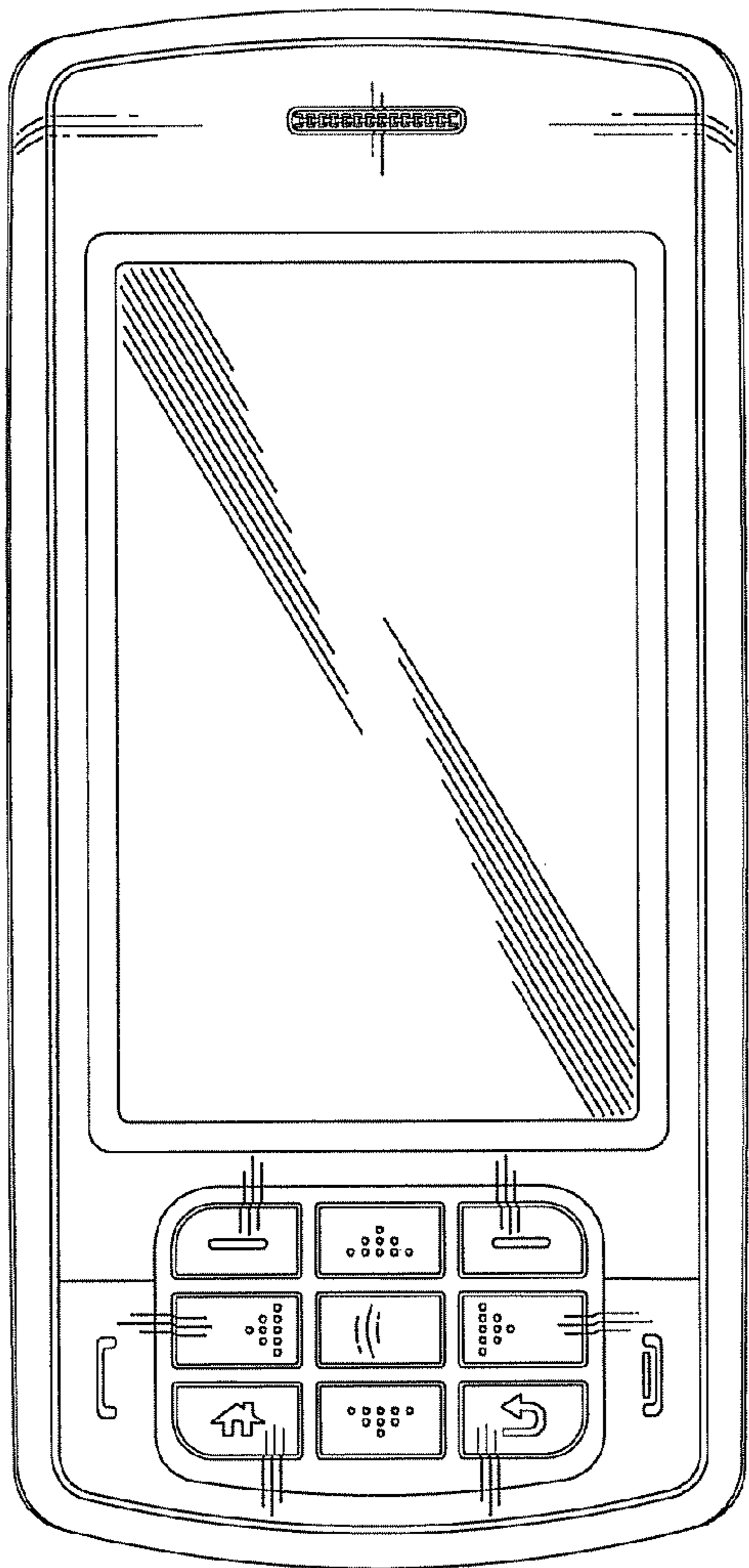


FIG. 3

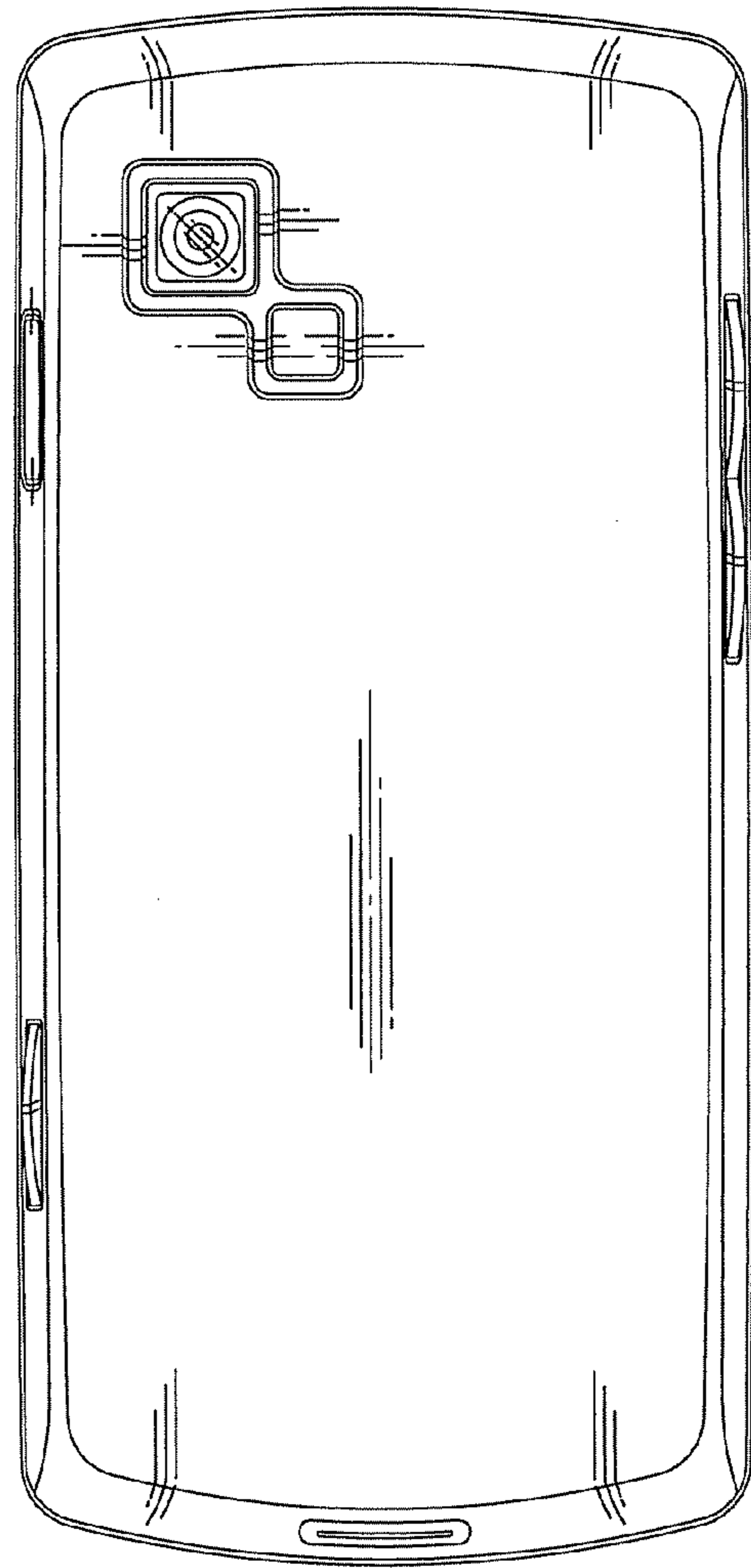




FIG. 4

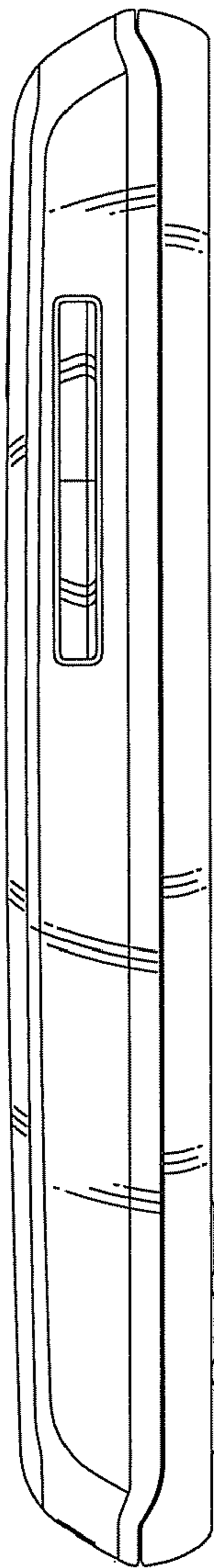


FIG. 5

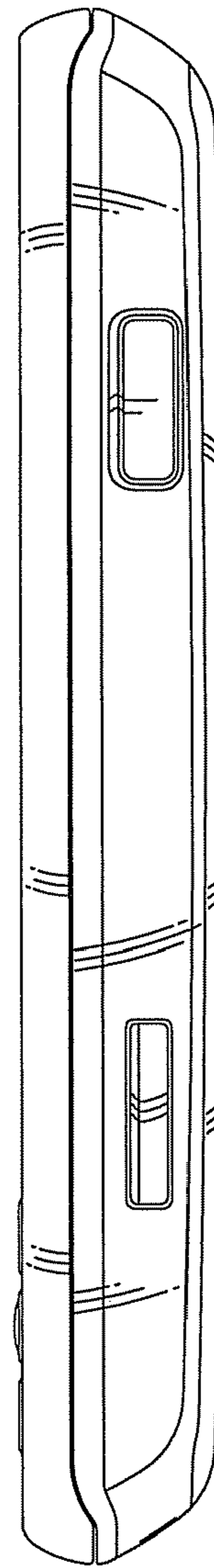


FIG. 6

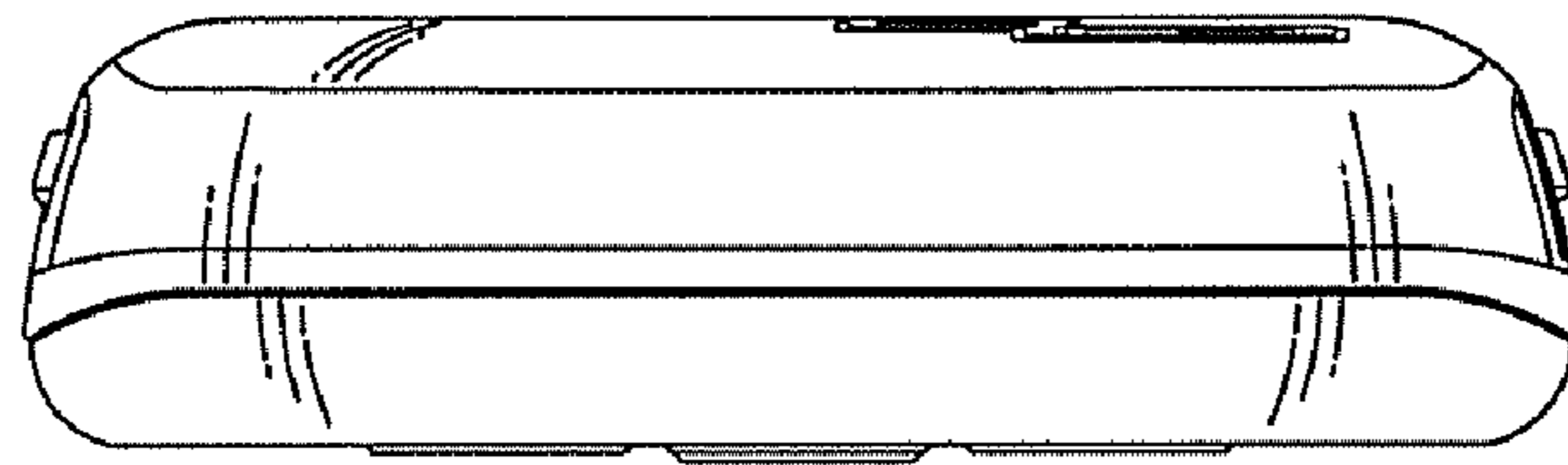


FIG. 7

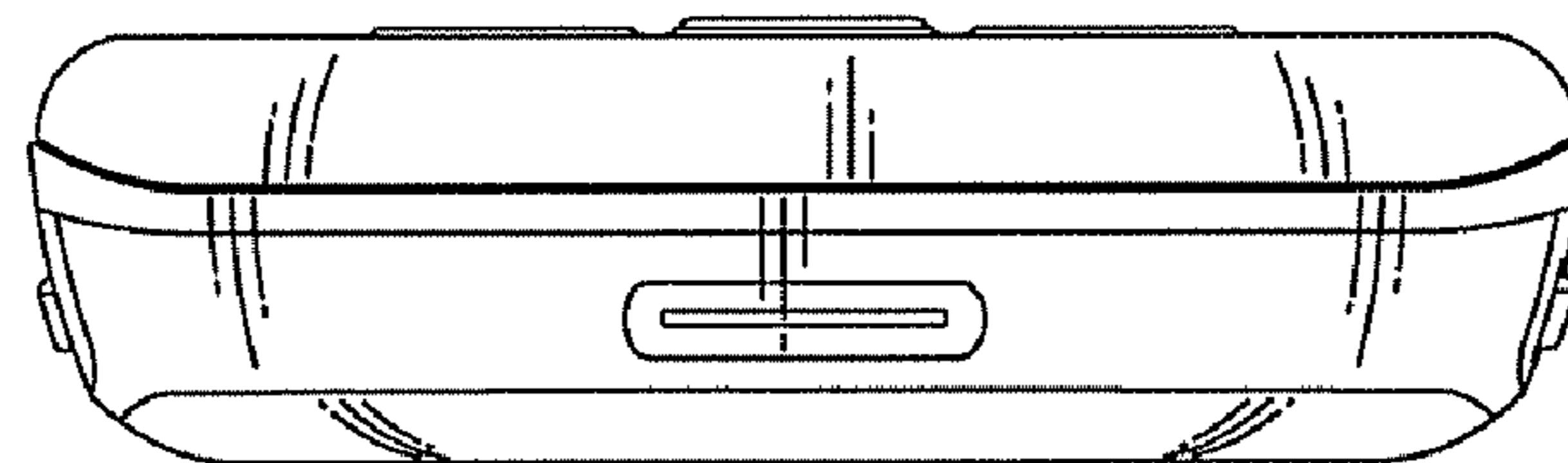


FIG. 8

