



US00D601988S

(12) **United States Design Patent**  
**Bang et al.**

(10) **Patent No.:** **US D601,988 S**

(45) **Date of Patent:** **\*\* Oct. 13, 2009**

(54) **MOBILE PHONE**

(75) Inventors: **Yong-Seok Bang**, Seoul (KR);  
**Chang-Hwan Hwang**, Goyang-si (KR);  
**Seog-Guen Kim**, Seoul (KR)

(73) Assignee: **Samsung Electronics Co., Ltd.**,  
Suwon-Si (KR)

(\*\*) Term: **14 Years**

(21) Appl. No.: **29/324,828**

(22) Filed: **Sep. 22, 2008**

(30) **Foreign Application Priority Data**

May 27, 2008 (KR) ..... 30-2008-0022324

(51) **LOC (9) Cl.** ..... **14-03**

(52) **U.S. Cl.** ..... **D14/138 G**

(58) **Field of Classification Search** ..... D14/138 R,  
D14/138 AD, 138 AC, 138 C, 138 G, 191,  
D14/203.1–203.8, 496, 138 AA, 138 AB,  
D14/137, 147, 218, 341–347, 247–248; D10/65,  
D10/78, 104; D13/168; D18/7; 455/566,  
455/575.1, 575.3

See application file for complete search history.

(56) **References Cited**

**U.S. PATENT DOCUMENTS**

D474,792 S \* 5/2003 Hyun ..... D16/202  
D495,695 S \* 9/2004 Yugaya ..... D14/346  
D542,771 S \* 5/2007 Cho et al. .... D14/138 AB  
D551,645 S \* 9/2007 Kim et al. .... D14/138 AB  
D552,580 S \* 10/2007 Mun ..... D14/138 AD  
D563,933 S \* 3/2008 Lee et al. .... D14/138 AB  
D568,286 S \* 5/2008 Suk et al. .... D14/138 G  
D569,365 S \* 5/2008 Shin et al. .... D14/138 AC  
D572,227 S \* 7/2008 Yoon et al. .... D14/138 G  
D578,985 S \* 10/2008 Kim et al. .... D14/138 R  
D579,437 S \* 10/2008 Yoon ..... D14/138 R  
D579,902 S \* 11/2008 Kim et al. .... D14/138 R  
D581,894 S \* 12/2008 Kim ..... D14/138 R  
D582,377 S \* 12/2008 Kim et al. .... D14/138 AD

D584,273 S \* 1/2009 Hong et al. .... D14/138 R  
D585,040 S \* 1/2009 Kim et al. .... D14/138 R  
D585,044 S \* 1/2009 Seo et al. .... D14/138 R  
D589,924 S \* 4/2009 Jung et al. .... D14/138 AD  
D590,793 S \* 4/2009 Kim et al. .... D14/138 AD  
D590,802 S \* 4/2009 Shin et al. .... D14/138 AD  
2006/0166713 A1\* 7/2006 Yeh et al. .... 455/575.1  
2007/0218963 A1\* 9/2007 Kim ..... 455/575.4  
2008/0019083 A1\* 1/2008 Lim et al. .... 361/679  
2008/0096616 A1\* 4/2008 Choi ..... 455/575.1  
2008/0125182 A1\* 5/2008 Park et al. .... 455/566  
2009/0061947 A1\* 3/2009 Park et al. .... 455/566

**OTHER PUBLICATIONS**

BlackBerry Storm 9530, announced Sep. 2008, [online], [retrieved on Jan. 9, 2009]. Retrieved from Internet ,<URL: http://www.gsmarena.com>.\*

BlackBerry Storm 9500, announced Sep. 2008, [online], [retrieved on Jan. 9, 2009]. Retrieved from Internet ,<URL: http://www.gsmarena.com>.\*

(Continued)

*Primary Examiner*—Jeffrey D Asch  
*Assistant Examiner*—Bridget L Eland  
(74) *Attorney, Agent, or Firm*—Staas & Halsey LLP

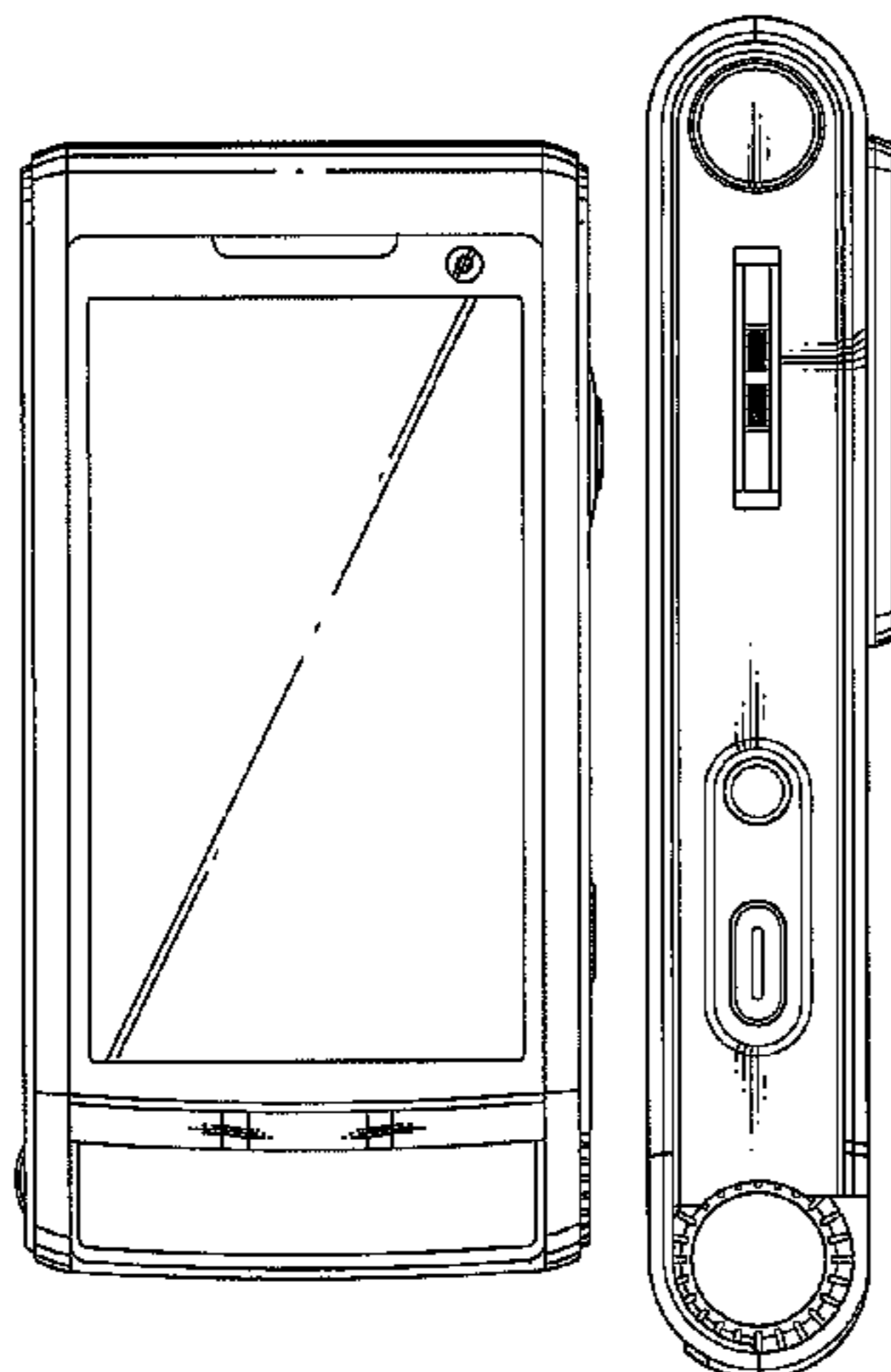
(57) **CLAIM**

The ornamental design for a mobile phone, as shown and described.

**DESCRIPTION**

FIG. 1 is a front perspective view of a mobile phone;  
FIG. 2 is a front view of the mobile phone of FIG. 1;  
FIG. 3 is a rear view of the mobile phone of FIG. 1;  
FIG. 4 is a left-side view of the mobile phone of FIG. 1;  
FIG. 5 is a right-side view of the mobile phone of FIG. 1;  
FIG. 6 is a top plan view of the mobile phone of FIG. 1; and,  
FIG. 7 is a bottom plan view of the mobile phone of FIG. 1.

**1 Claim, 4 Drawing Sheets**



OTHER PUBLICATIONS

LG CU915 Vu, announced Mar. 2008, [online], [retrieved on May 14, 2008]. Retrieved from Internet ,<URL: <http://www.gsmarena.com>>.\*

LG GC900 Viewty Smart, announced Apr. 2009, [online], [retrieved on Apr. 16, 2009]. Retrieved from Internet ,<URL: <http://www.gsmarena.com>>.\*

Samsung M8800 Pixon, announced Sep. 2008, [online], [retrieved on Oct. 3, 2008]. Retrieved from Internet ,<URL: <http://www.gsmarena.com>>.\*

Samsung T929 Memoir, announced Feb. 2009, [online], [retrieved on Feb. 6, 2009]. Retrieved from Internet ,<URL: <http://www.gsmarena.com>>.\*

Samsung i8910 Omnia, announced Feb. 2009, [online], [retrieved on Feb. 20, 2009]. Retrieved from Internet ,<URL: <http://www.gsmarena.com>>.\*

\* cited by examiner

FIG. 1

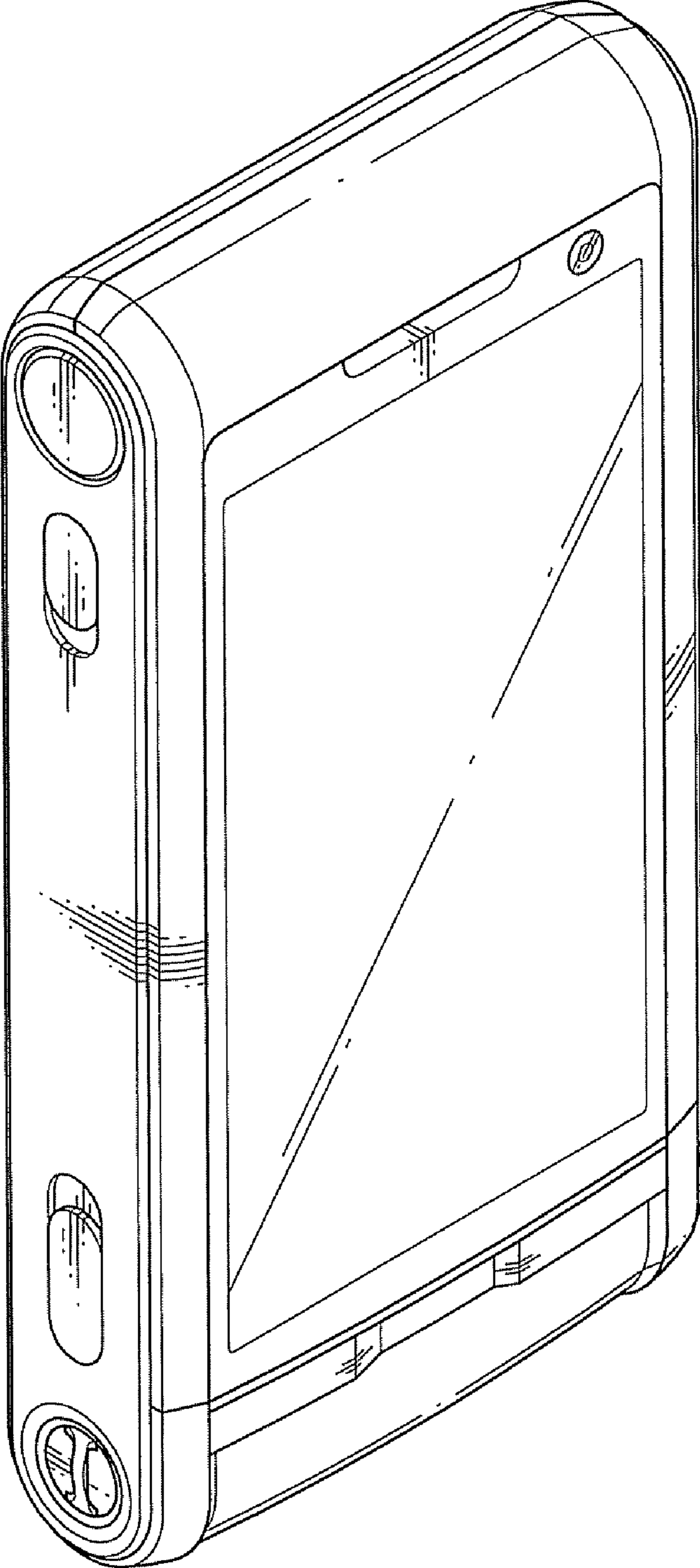


FIG. 2

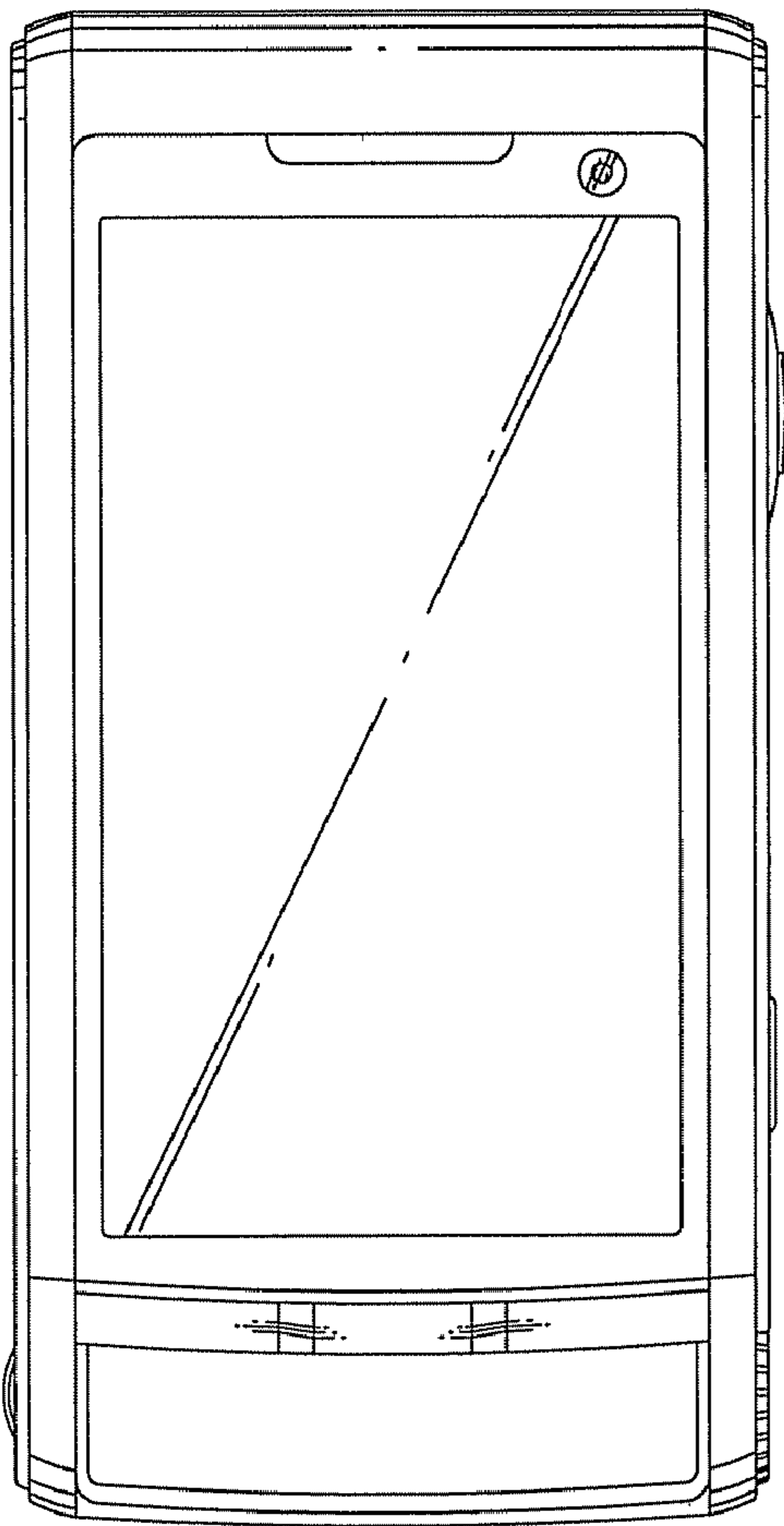


FIG. 3

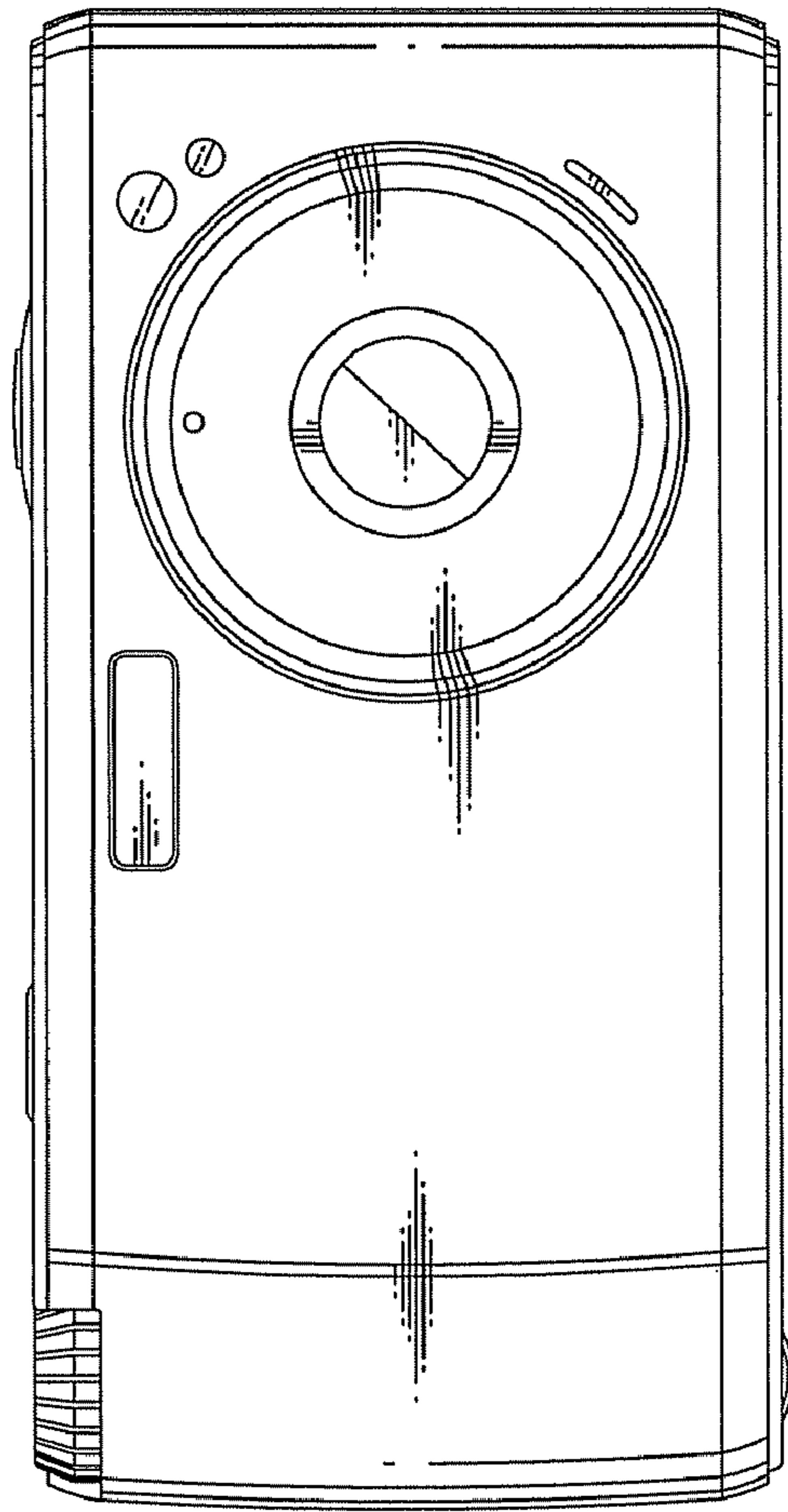


FIG. 4

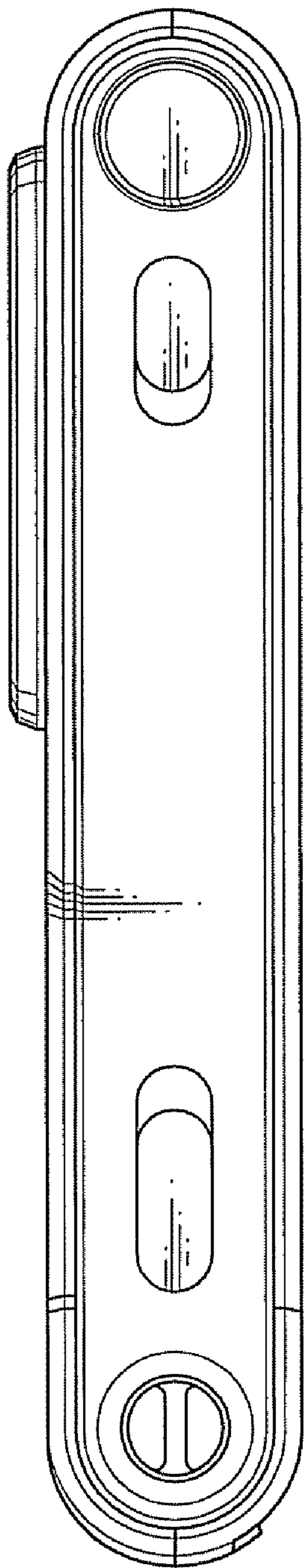


FIG. 5

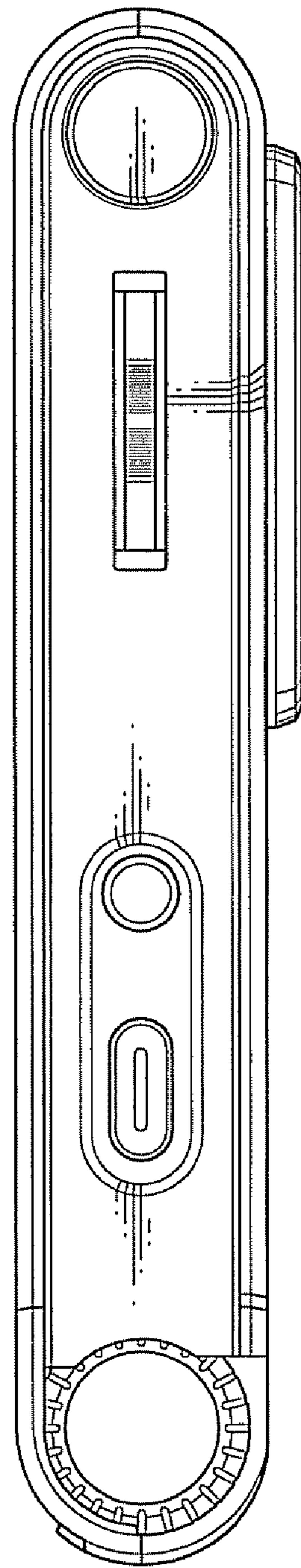


FIG. 6

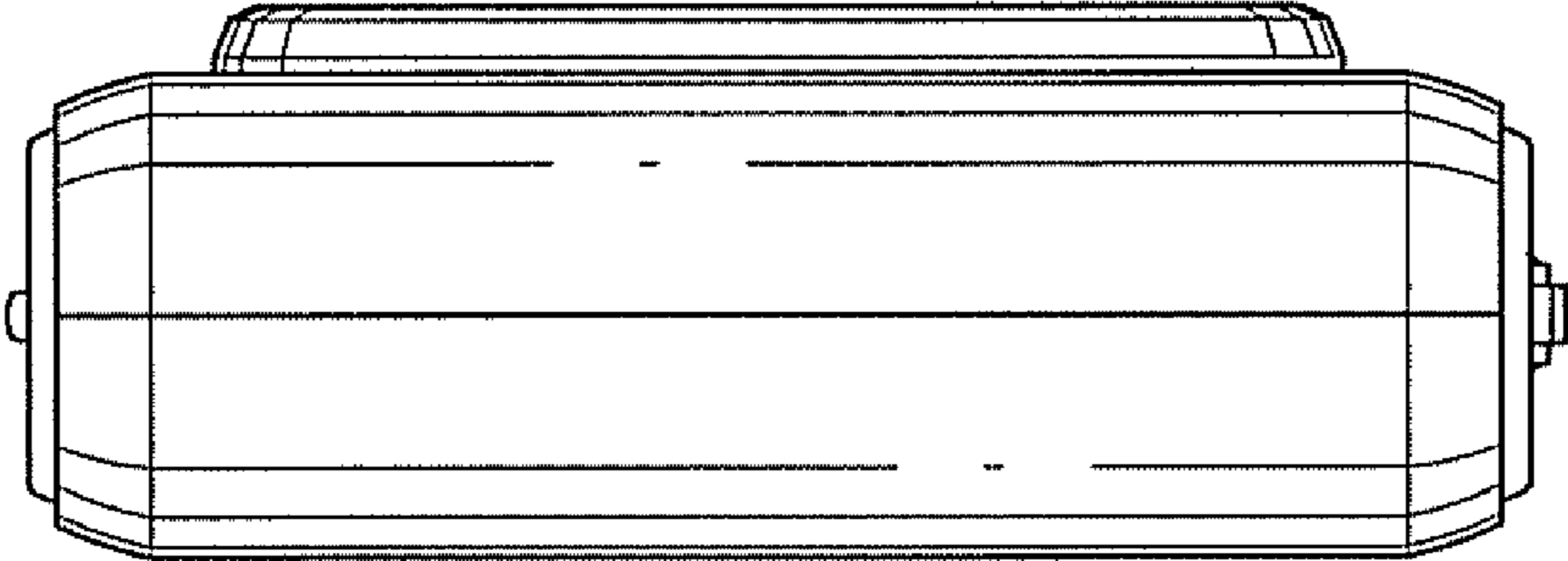


FIG. 7

