



US00D601985S

(12) **United States Design Patent**
Ren et al.

(10) **Patent No.:** **US D601,985 S**
(45) **Date of Patent:** **** Oct. 13, 2009**

(54) **MOBILE PHONE**

(75) Inventors: **Ya-Min Ren**, Shenzhen (CN);
Chih-Chiang Chang, Taipei Hsien
(TW); **Tao Su**, Shenzhen (CN)

(73) Assignee: **FIH (Hong Kong) Limited**, Kowloon
(HK)

(**) Term: **14 Years**

(21) Appl. No.: **29/321,475**

(22) Filed: **Jul. 17, 2008**

(30) **Foreign Application Priority Data**

May 23, 2008 (CN) 2008 3 0300668

(51) **LOC (9) Cl.** **14-03**

(52) **U.S. Cl.** **D14/138 AB**

(58) **Field of Classification Search** D14/138 AB,
D14/496, 345, 346, 203.3, 203.4, 203.7;
455/575.3

See application file for complete search history.

(56) **References Cited**

U.S. PATENT DOCUMENTS

D478,056	S	*	8/2003	Koo et al.	D14/138 AB
D507,251	S	*	7/2005	Burns et al.	D14/138 AB
D512,975	S	*	12/2005	Tsai et al.	D14/138 AB
D521,480	S	*	5/2006	Ou et al.	D14/138 AB
D521,971	S	*	5/2006	Kim et al.	D14/138 AB
D546,311	S	*	7/2007	Lee	D14/138 AB
D546,312	S	*	7/2007	Han et al.	D14/138 AB
D555,124	S	*	11/2007	Lee	D14/138 AB
D560,187	S	*	1/2008	Kim et al.	D14/138 AB
D560,189	S	*	1/2008	Kim et al.	D14/138 AB
D563,930	S	*	3/2008	Kim et al.	D14/138 AB
D571,345	S	*	6/2008	Kim et al.	D14/138 AB
D571,772	S	*	6/2008	Kim et al.	D14/138 AB
D572,690	S	*	7/2008	Kim et al.	D14/138 AB
D573,575	S	*	7/2008	Song et al.	D14/138 AB
D574,352	S	*	8/2008	Cha et al.	D14/138 AB
D575,258	S	*	8/2008	Tu	D14/138 AB
D578,982	S	*	10/2008	Jeong et al.	D14/138 AB
D579,430	S	*	10/2008	Cho et al.	D14/138 AB
D586,313	S	*	2/2009	Lu	D14/138 AB

D586,324	S	*	2/2009	Lee et al.	D14/138 AB
D586,325	S	*	2/2009	Park et al.	D14/138 AB
D586,776	S	*	2/2009	Cui et al.	D14/138 AB
D587,228	S	*	2/2009	Baik et al.	D14/138 AB
D593,063	S	*	5/2009	Millora et al.	D14/138 AB

OTHER PUBLICATIONS

Nokia 7200 telephone, announced 4th quarter 2003, [online], [site visited Jun. 16, 2009]. Available from Internet ,<URL: <http://www.gsmarena.com>>.*

BenQ-Siemens CF61 telephone, announced Mar. 2006, [online], [site visited Jun. 16, 2009]. Available from Internet ,<URL: <http://www.gsmarena.com>>.*

(Continued)

Primary Examiner—Jeffrey D Asch

(74) *Attorney, Agent, or Firm*—Steven M. Reiss

(57) **CLAIM**

The ornamental design for a mobile phone, as shown and described.

DESCRIPTION

FIG. 1 is a perspective view of a mobile phone showing our new design;

FIG. 2 is a front elevational view thereof;

FIG. 3 is a rear elevational view thereof;

FIG. 4 is a left side elevational view thereof;

FIG. 5 is a right side elevational view thereof;

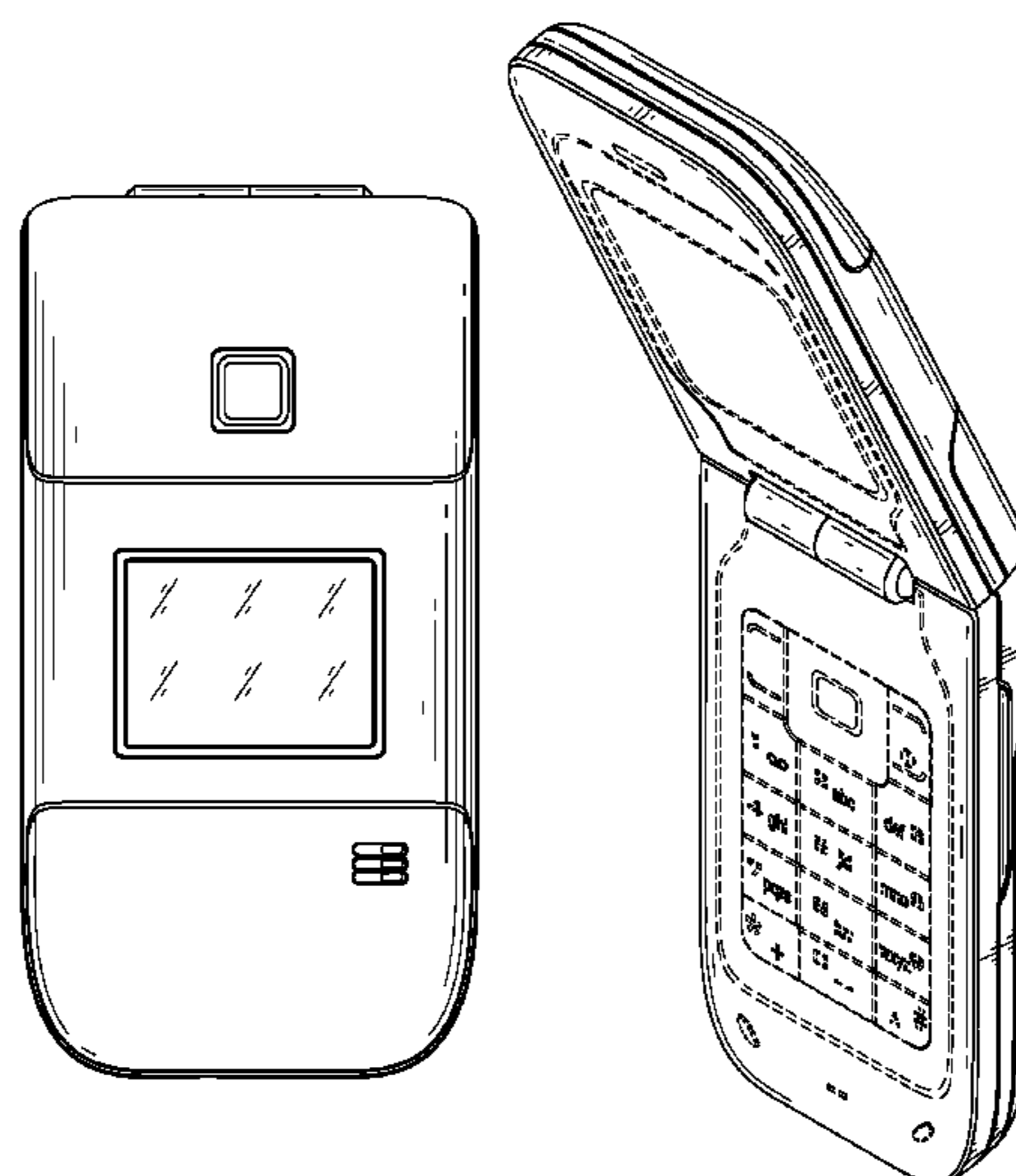
FIG. 6 is a top plan view thereof;

FIG. 7 is a bottom plan view thereof; and,

FIG. 8 is an open view of the mobile phone of FIG. 1.

The broken lines shown throughout the views that are immediately adjacent to the claimed surfaces and define non-shaded regions represent the bounds of the claim, while all other broken lines are directed to environment and are for illustrative purposes only; the broken lines form no part of the claim.

1 Claim, 8 Drawing Sheets



US D601,985 S

Page 2

OTHER PUBLICATIONS

NEC N160 telephone, announced 4th quarter 2004, [online], [site visited Jun. 16, 2009]. Available from Internet ,<URL: <http://www.gsmarena.com>>.*

NEC e636 telephone, announced Feb. 2006, [online], [site visited Jun. 16, 2009]. Available from Internet ,<URL: <http://www.gsmarena.com>>.*

* cited by examiner

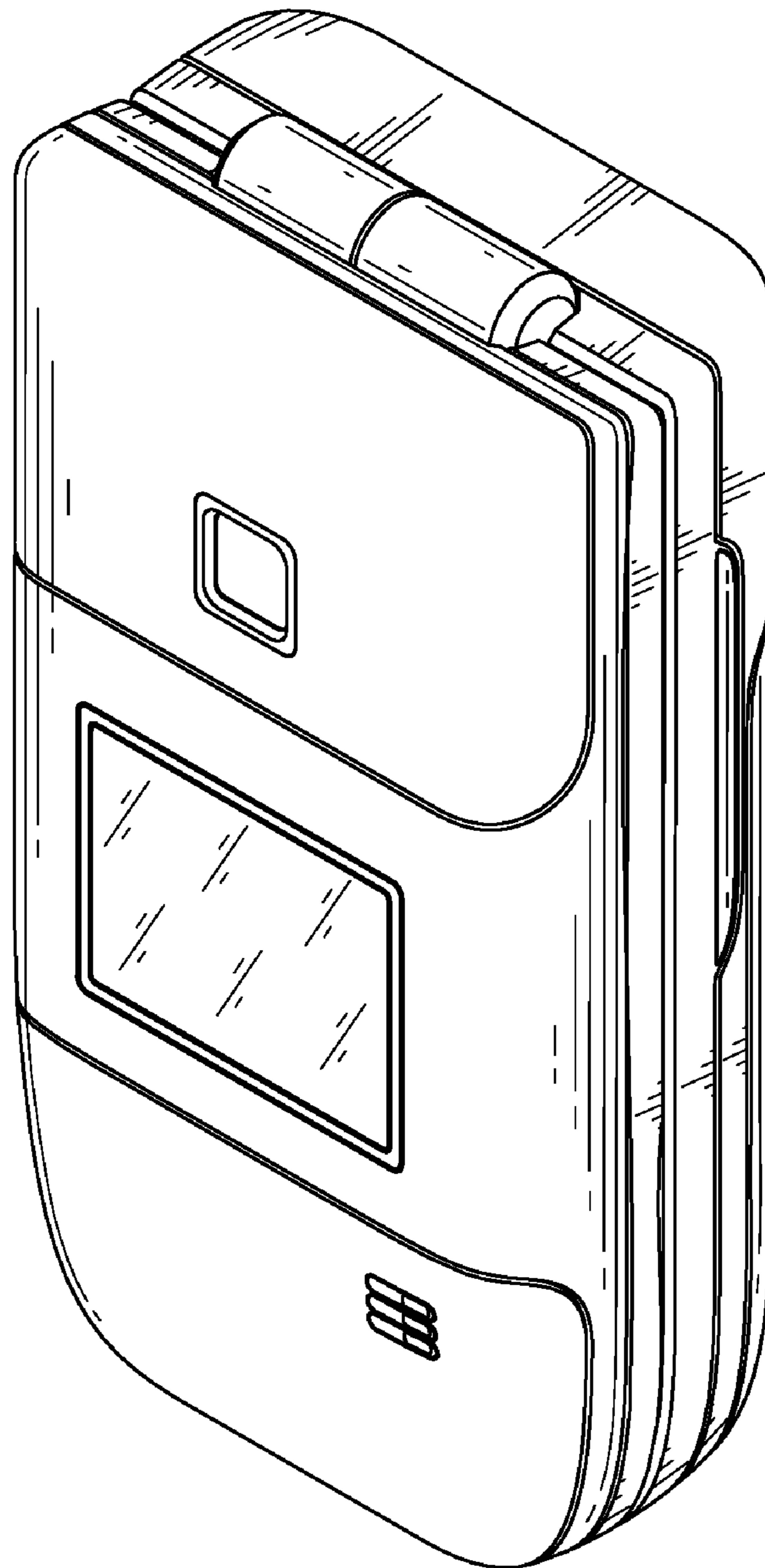


FIG. 1

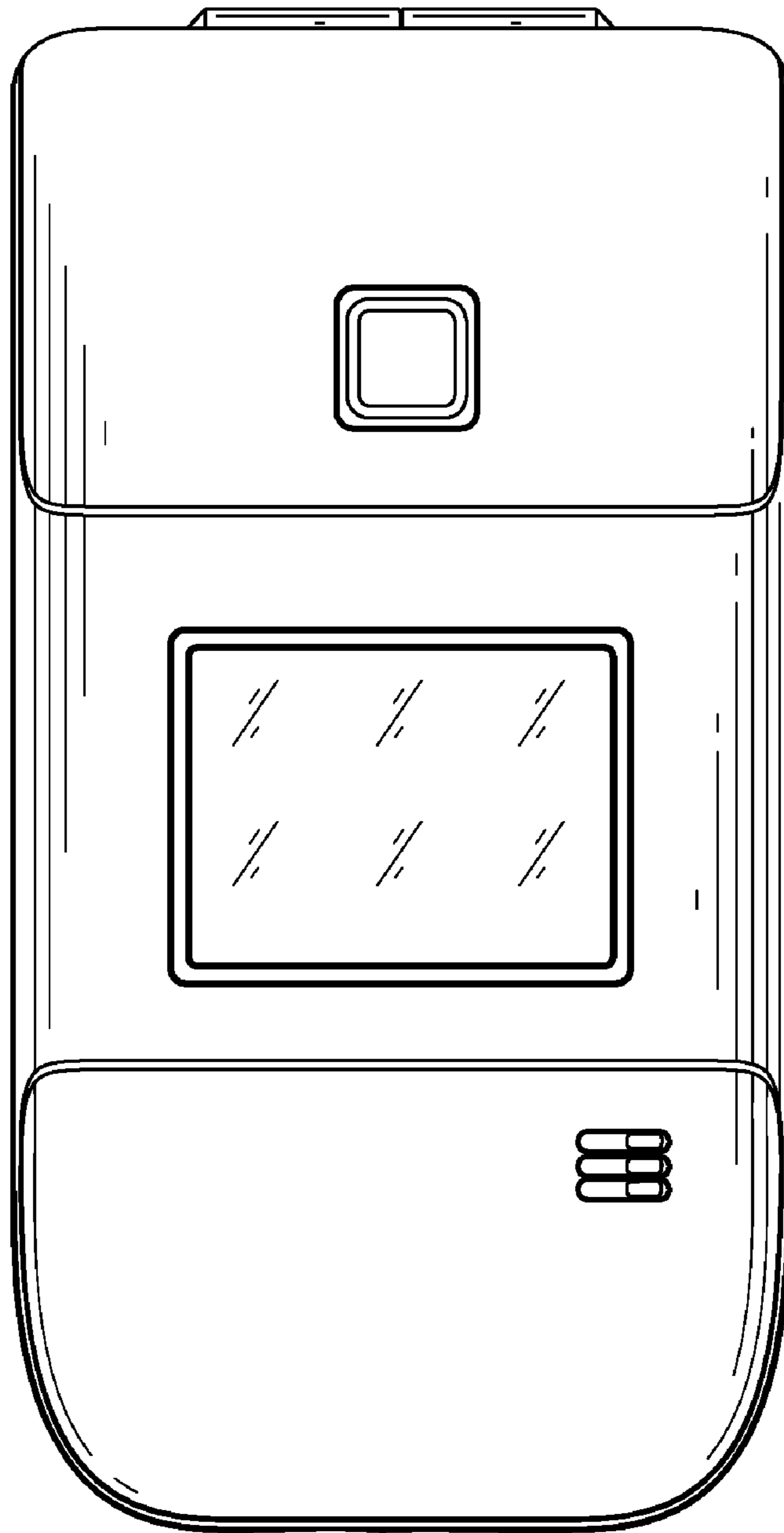


FIG. 2

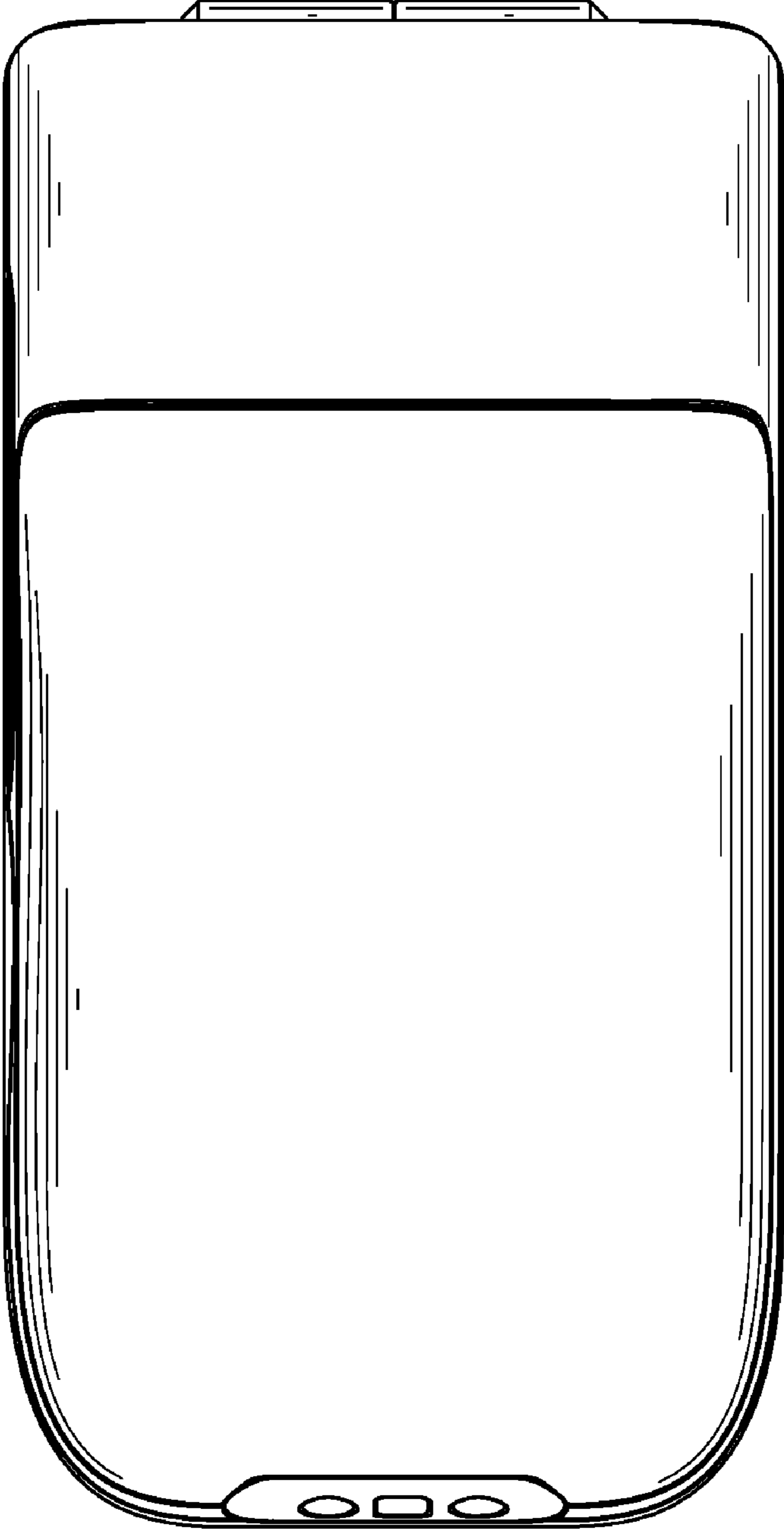


FIG. 3

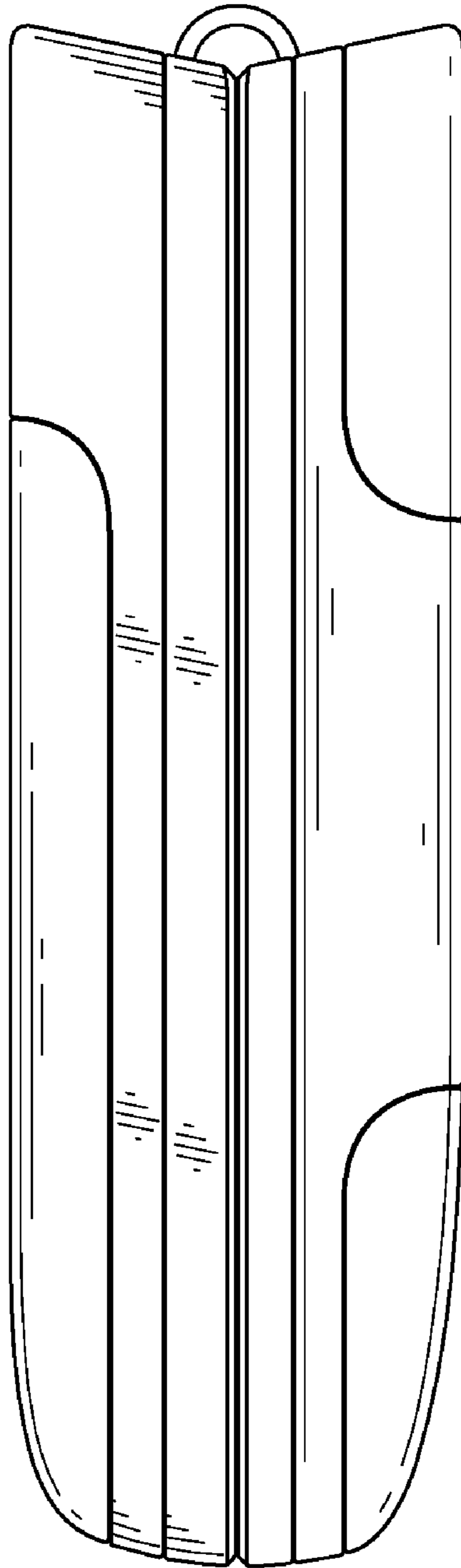


FIG. 4

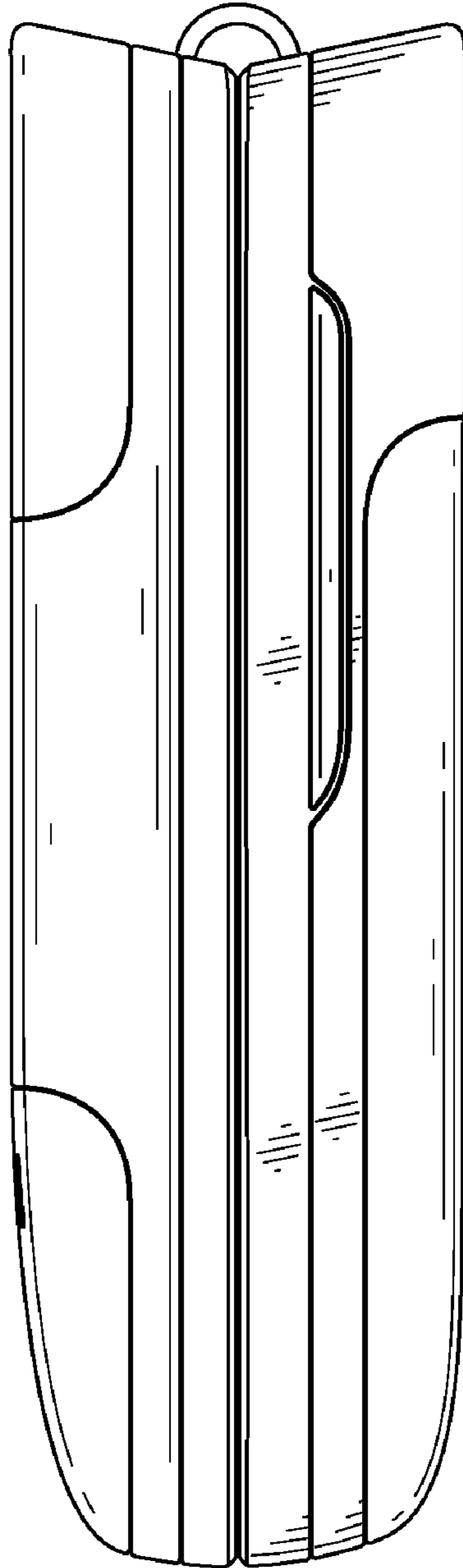


FIG. 5

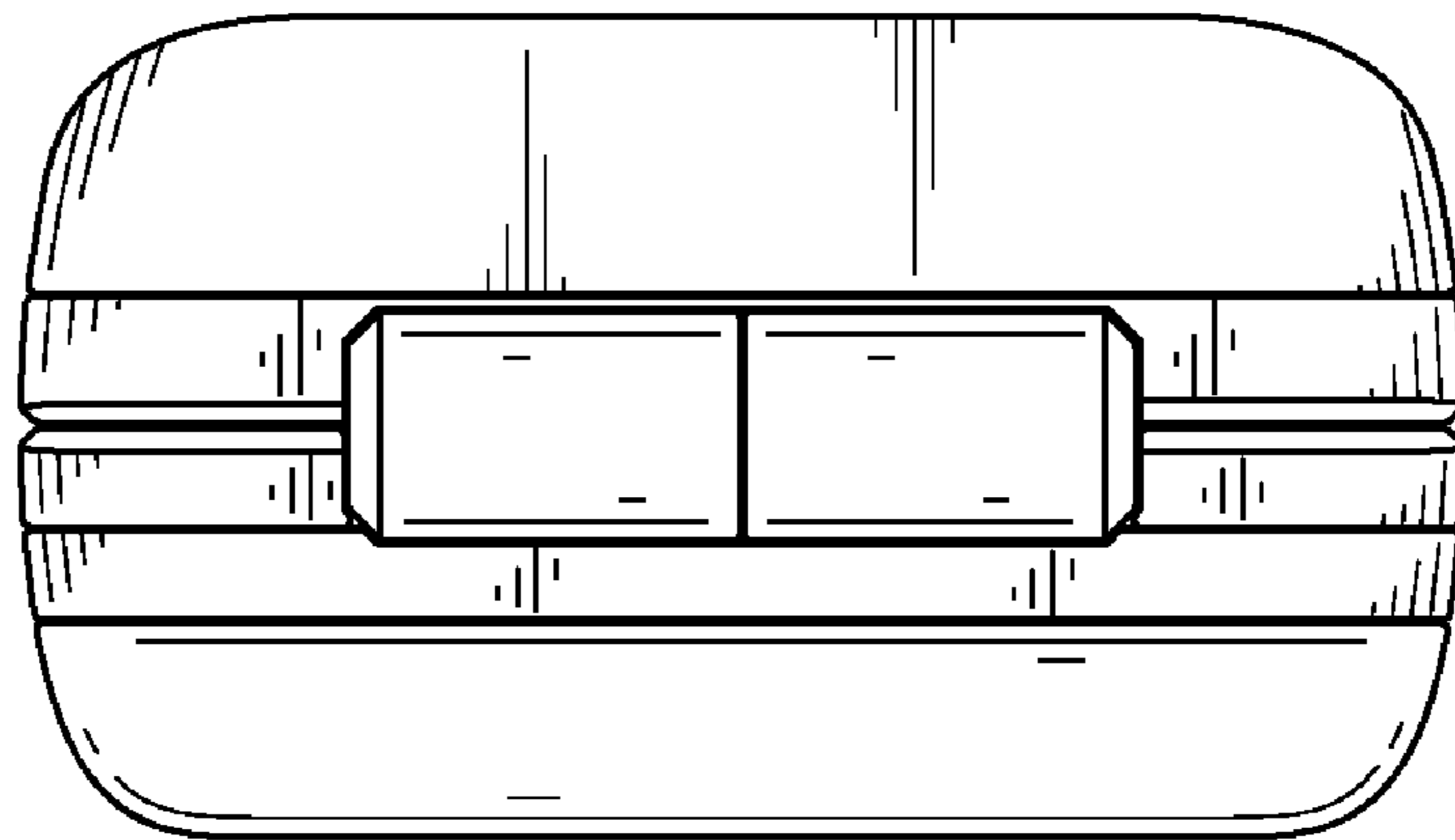


FIG. 6

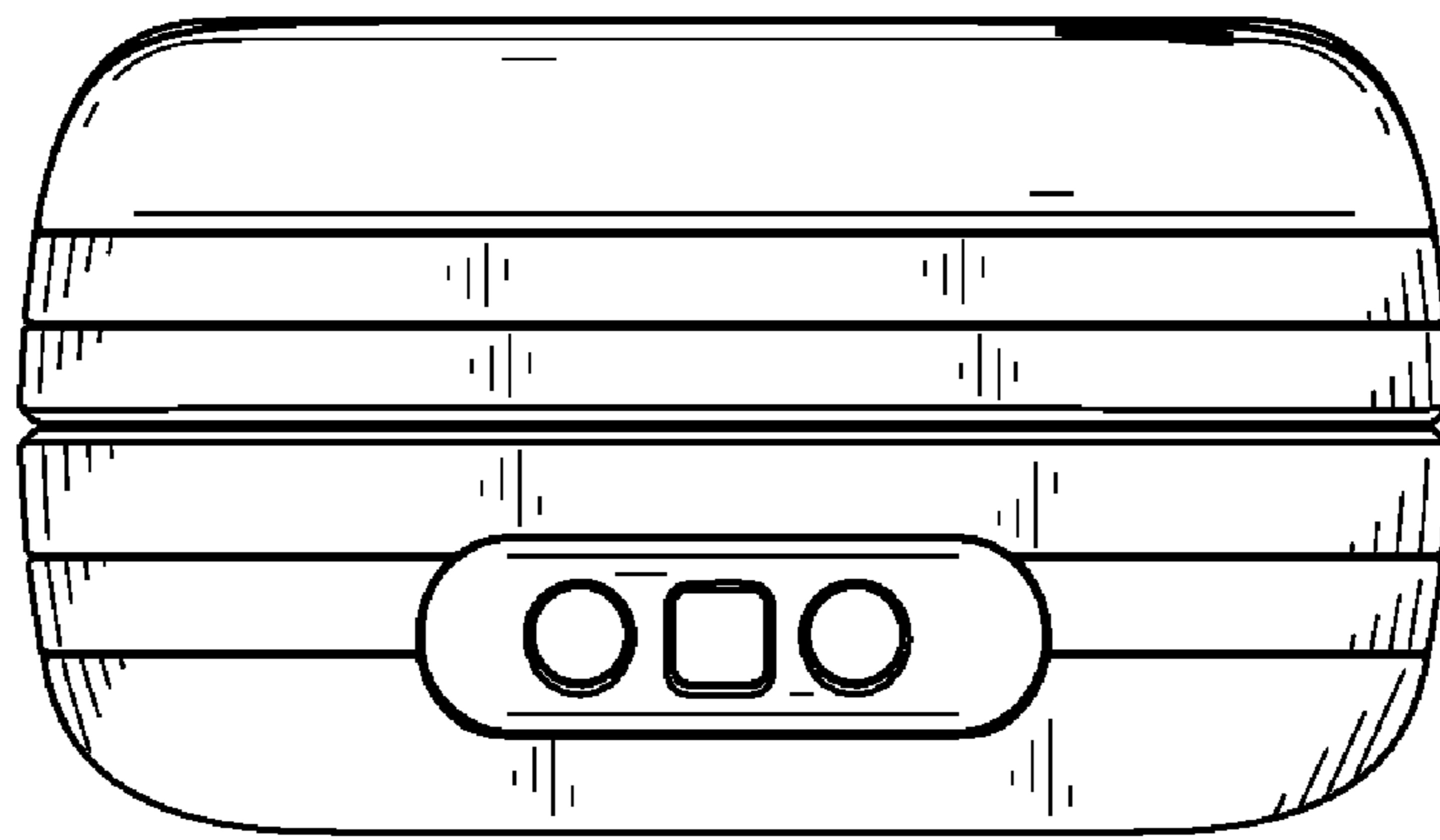


FIG. 7

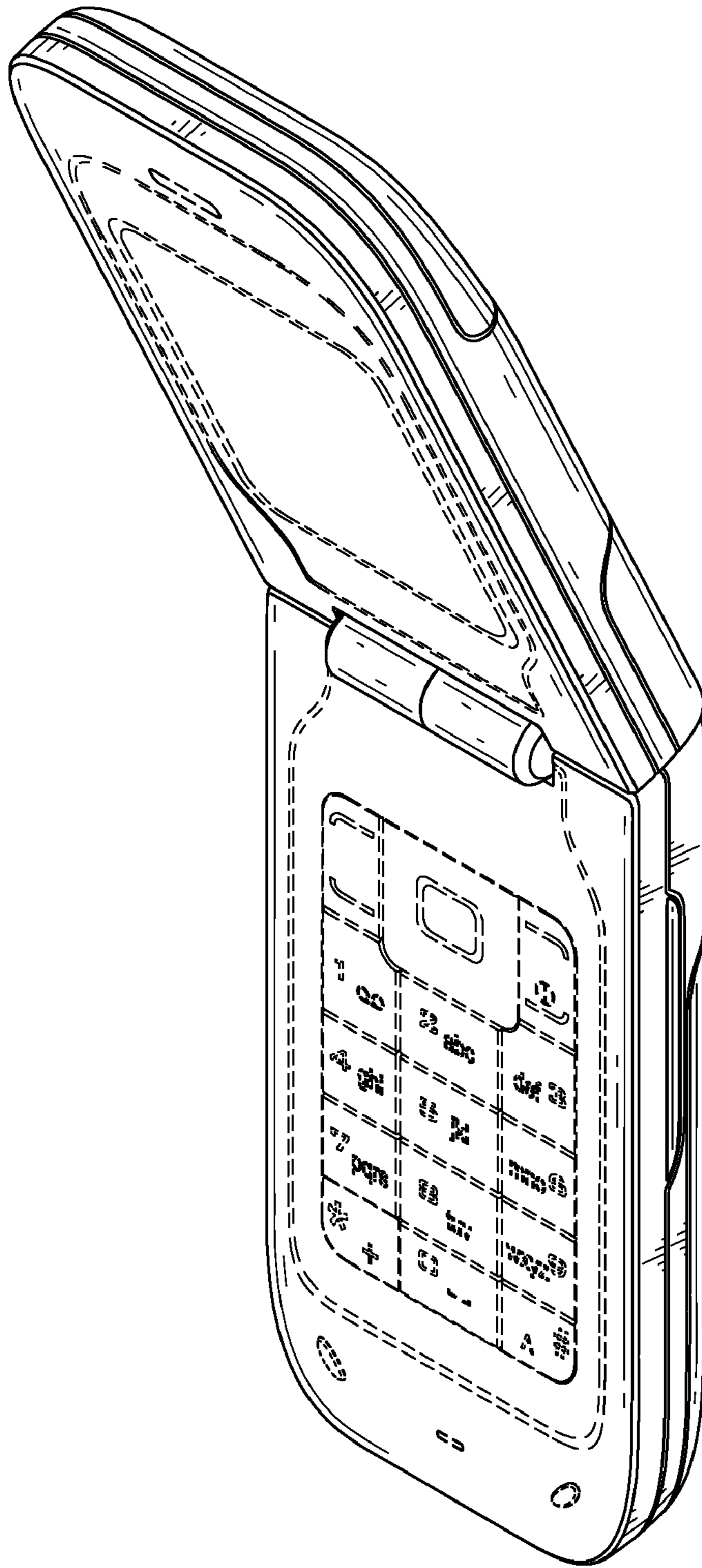


FIG. 8