



US00D601978S

(12) **United States Design Patent**
Matsuba et al.

(10) **Patent No.:** **US D601,978 S**
(45) **Date of Patent:** **** Oct. 13, 2009**

(54) **PRINTED CIRCUIT BOARD**

(75) Inventors: **Hiroyuki Matsuba**, Kadoma (JP);
Hiroaki Nakashima, Kadoma (JP);
Akihiro Yamashita, Kadoma (JP)

(73) Assignee: **Panasonic Corporation**, Osaka (JP)

(**) Term: **14 Years**

(21) Appl. No.: **29/306,735**

(22) Filed: **Apr. 15, 2008**

(30) **Foreign Application Priority Data**

Jan. 9, 2008 (JP) 2008-000180

(51) **LOC (9) Cl.** **13-03**

(52) **U.S. Cl.** **D13/182**

(58) **Field of Classification Search** D13/182;
29/829; 174/250, 253, 255, 748, 752; 361/720,
361/760; 439/77

See application file for complete search history.

(56) **References Cited**

U.S. PATENT DOCUMENTS

4,097,684	A *	6/1978	Burr	174/262
D279,670	S	7/1985	Lukits		
5,008,496	A *	4/1991	Schmidt et al.	174/254
5,023,753	A *	6/1991	Abe	361/782
5,841,074	A *	11/1998	Egan et al.	174/250
5,847,934	A *	12/1998	Yasuda	361/753
D429,704	S	8/2000	Kang		
D442,149	S	5/2001	Kang		

D442,567	S	5/2001	Kang		
D465,772	S	11/2002	Poulter et al.		
D552,048	S	10/2007	He		
D556,158	S	11/2007	Kong		
D559,806	S	1/2008	Hosaka		
2002/0131253	A1 *	9/2002	Kobayashi	361/760
2007/0081311	A1 *	4/2007	Iwamiya et al.	361/760
2007/0163866	A1 *	7/2007	Tsai	200/292

* cited by examiner

Primary Examiner—Selina Sikder

(74) *Attorney, Agent, or Firm*—Brinks Hofer Gilson & Lione

(57) **CLAIM**

We claim the ornamental design for a printed circuit board, as shown and described.

DESCRIPTION

FIG. 1 is a front perspective view of a printed circuit board of the present invention;

FIG. 2 is a front view thereof;

FIG. 3 is a rear view thereof;

FIG. 4 is a first side view thereof;

FIG. 5 is a second side view thereof;

FIG. 6 is a top view thereof; and,

FIG. 7 is a bottom view thereof.

The broken line showing of printed circuit board is included for the purpose of illustrating environment and forms no part of the claimed design. The unevenly broken lines in the drawings define the bounds of the claimed design.

1 Claim, 4 Drawing Sheets

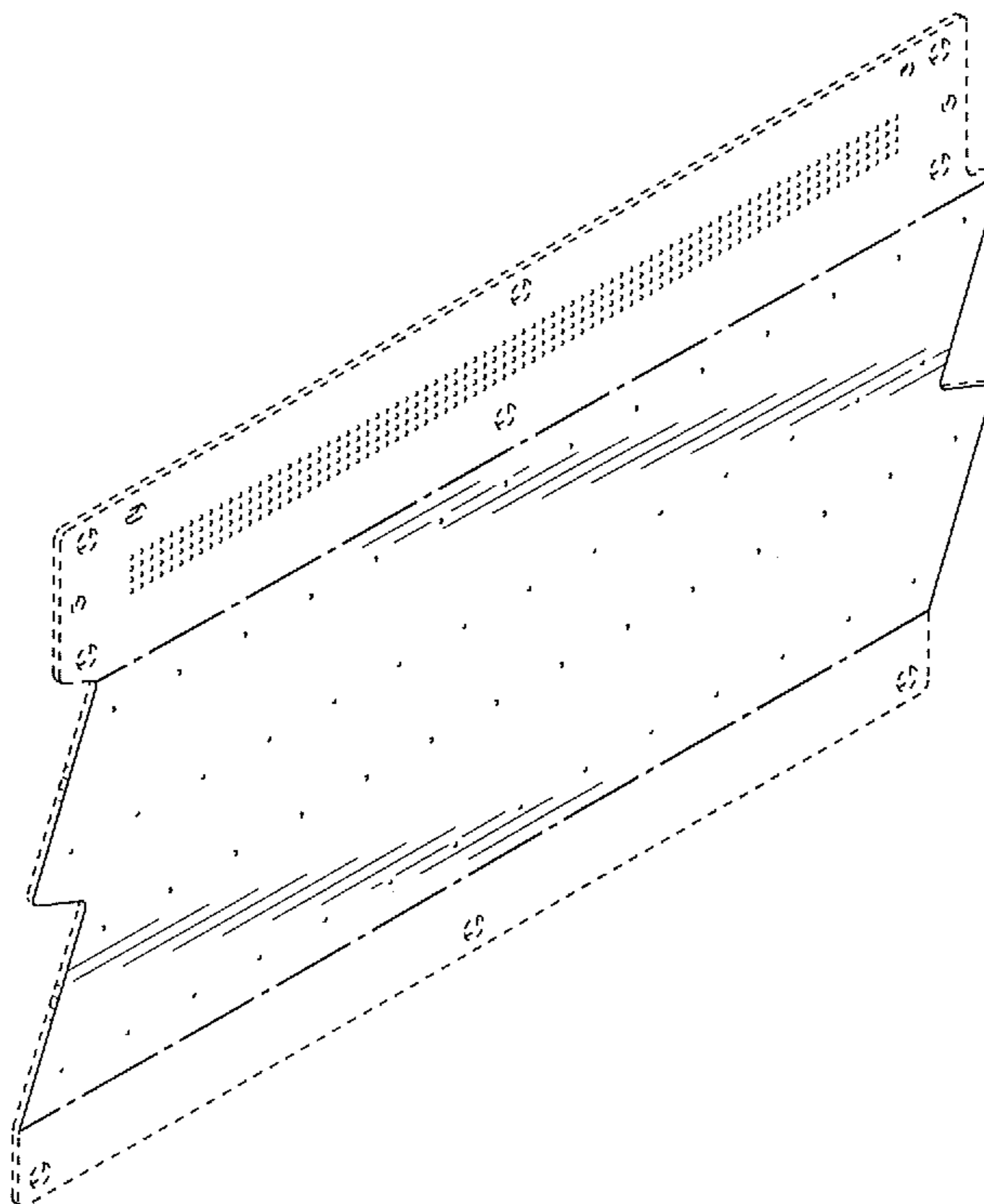


FIG. 1

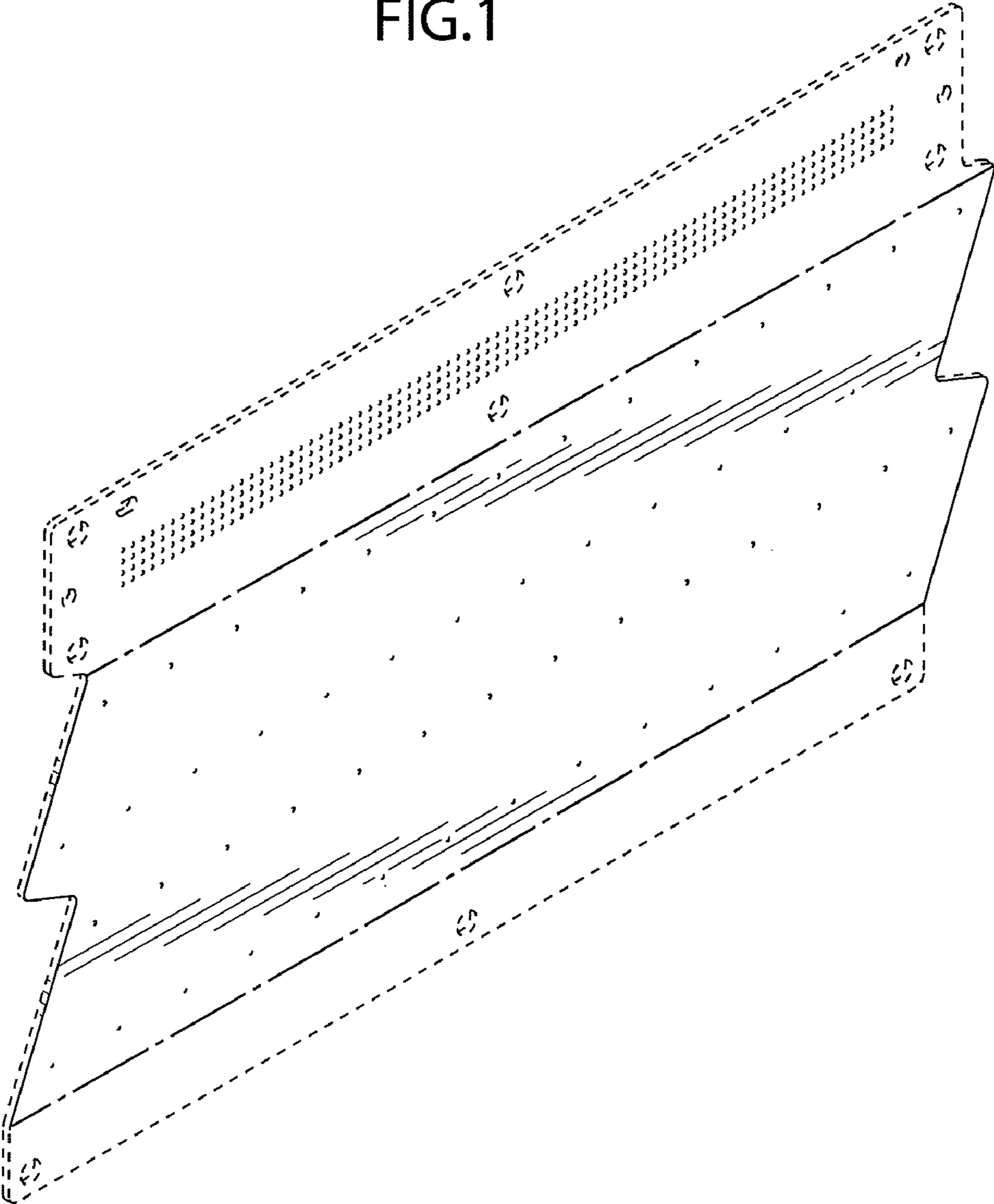


FIG.2

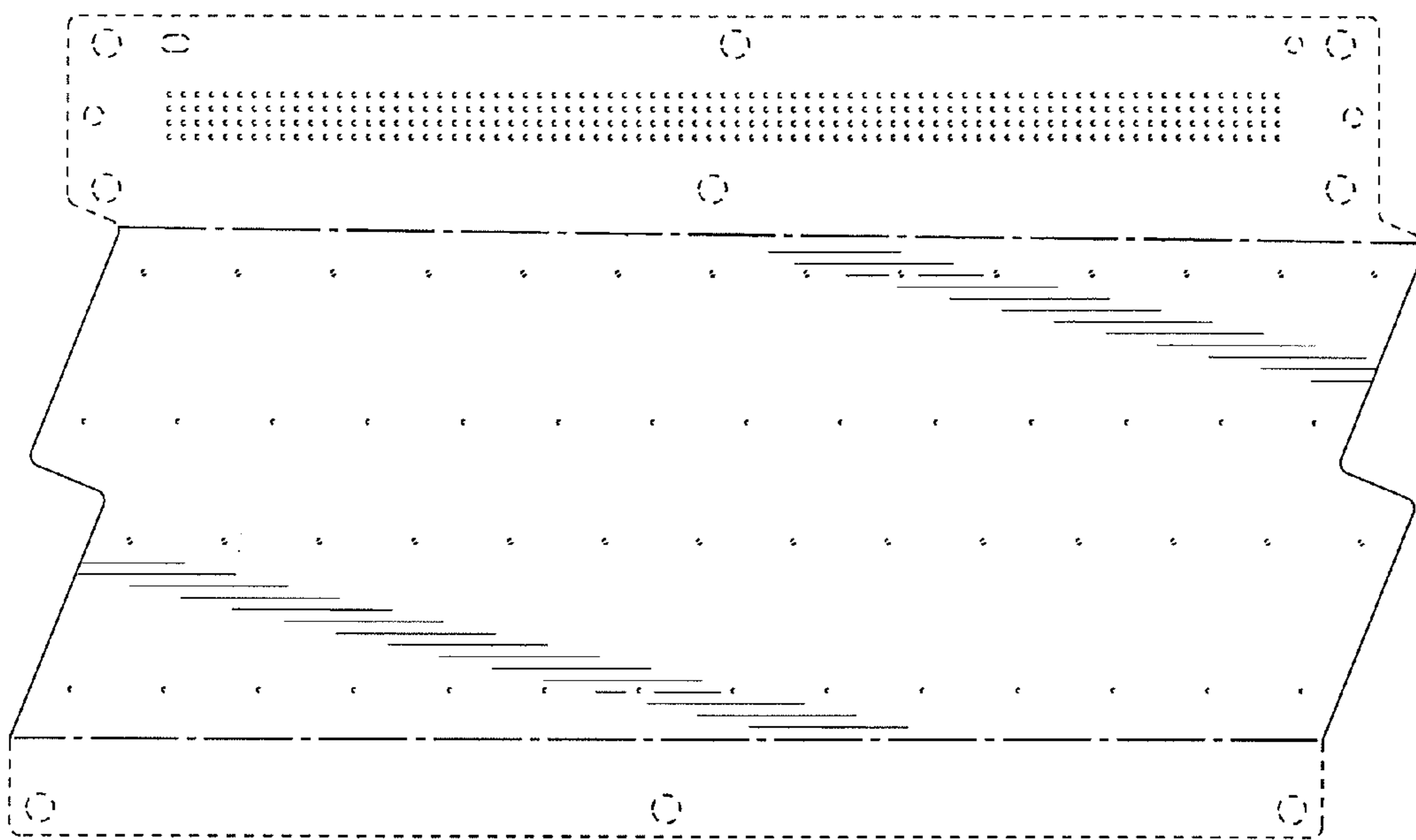


FIG.3

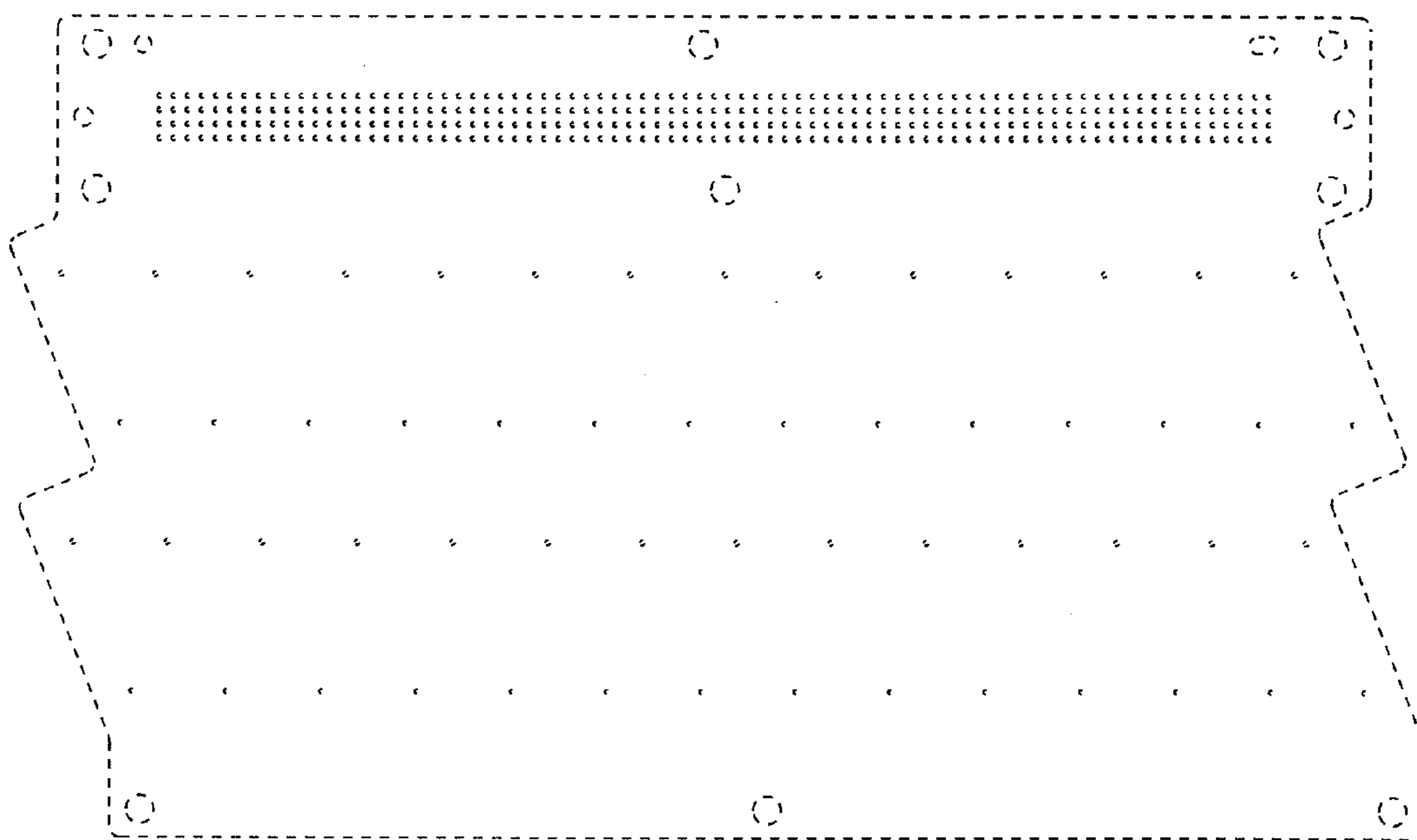


FIG.4



FIG.5

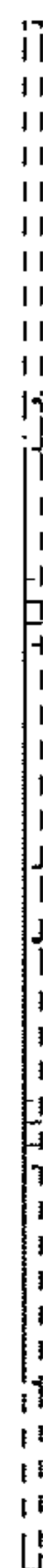


FIG.6

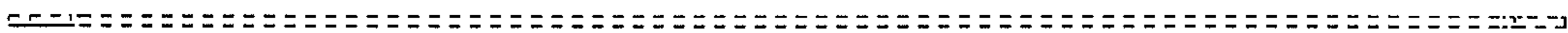


FIG.7

