



US00D601975S

(12) **United States Design Patent**  
**Chang**

(10) **Patent No.:** **US D601,975 S**  
(45) **Date of Patent:** **\*\* Oct. 13, 2009**

(54) **BELT-WORN CONTROL UNIT FOR LED HEADLIGHT**

D494,547 S \* 8/2004 Smith et al. .... D13/162  
D588,988 S \* 3/2009 Nan ..... D13/119  
D589,533 S \* 3/2009 Anderson et al. .... D15/8

(75) Inventor: **Byung J. Chang**, Ann Arbor, MI (US)

\* cited by examiner

(73) Assignee: **General Scientific Corporation**, Ann Arbor, MI (US)

*Primary Examiner*—Daniel D Bui  
*Assistant Examiner*—Thomas J Johannes

(\*\*) Term: **14 Years**

(74) *Attorney, Agent, or Firm*—Gifford, Krass, Sprinkle, Anderson & Citkowski, P.C.

(21) Appl. No.: **29/320,339**

(57) **CLAIM**

(22) Filed: **Jun. 25, 2008**

The ornamental design for belt-worn control unit for LED headlight, as shown and described.

(51) **LOC (9) Cl.** ..... **13-03**

(52) **U.S. Cl.** ..... **D13/162**

(58) **Field of Classification Search** ..... D13/162,  
D13/164, 168, 173, 184, 199; D12/174,  
D12/179, 192; 188/3 R, 181 R, 206; 200/61.45 R;  
296/70, 190, 191, 7.2, 24.1, 9.6  
See application file for complete search history.

**DESCRIPTION**

FIG. 1 is a front, top, side perspective view of a belt-worn control unit for LED headlight, showing my new design;  
FIG. 2 is a front view thereof;  
FIG. 3 is a top view thereof;  
FIG. 4 is a bottom view thereof;  
FIG. 5 is a back view thereof; and,  
FIG. 6 is a side view thereof.

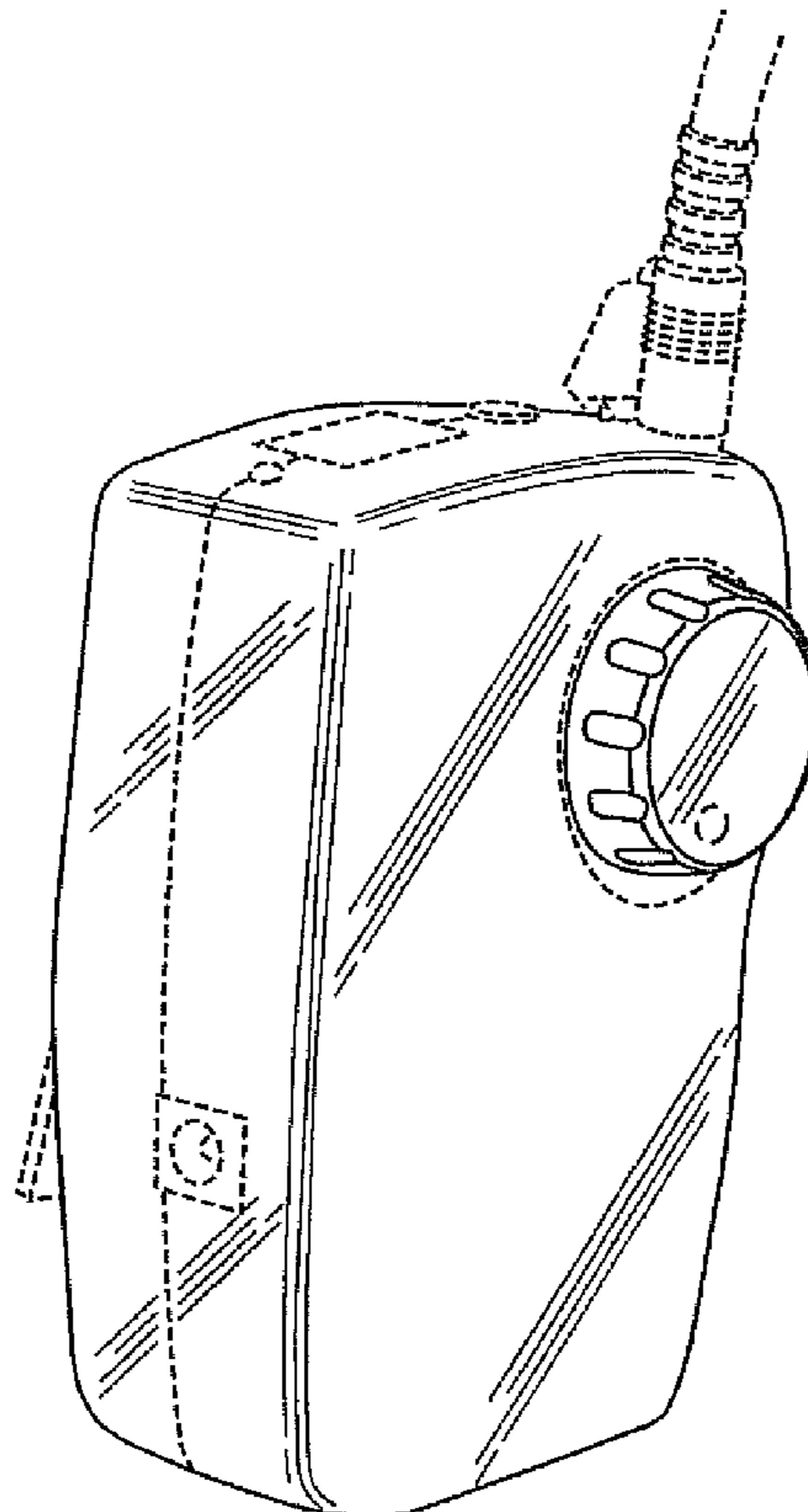
(56) **References Cited**

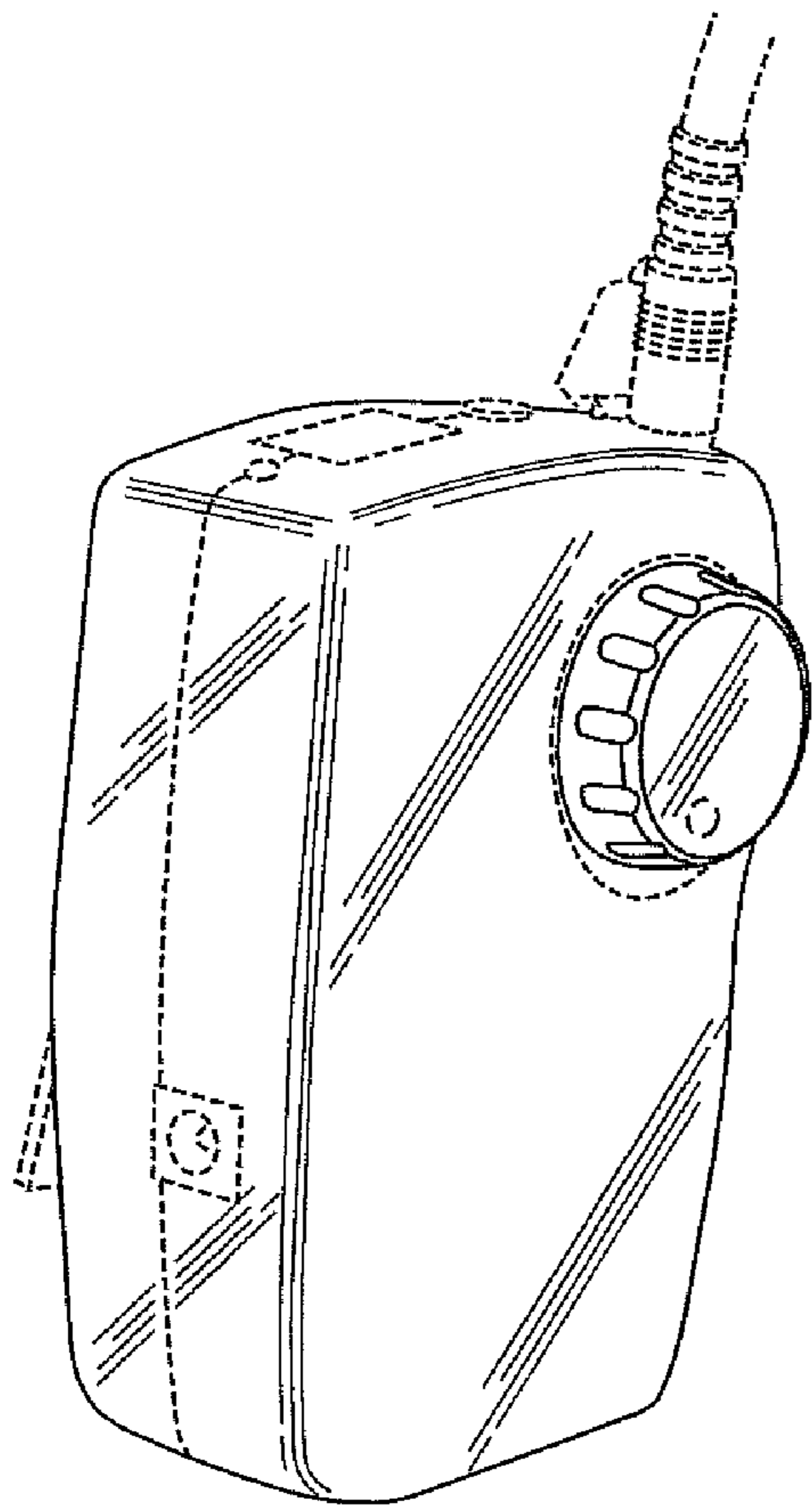
U.S. PATENT DOCUMENTS

D290,095 S \* 6/1987 Montalbano et al. .... D10/78  
D310,063 S \* 8/1990 Cheng ..... D13/137.3  
D428,994 S \* 8/2000 Thauer et al. .... D24/200  
D433,387 S \* 11/2000 Roth et al. .... D13/162  
D434,392 S \* 11/2000 Reichard ..... D13/169  
D456,520 S \* 4/2002 Suen ..... D24/200  
D465,575 S \* 11/2002 Piel ..... D24/200

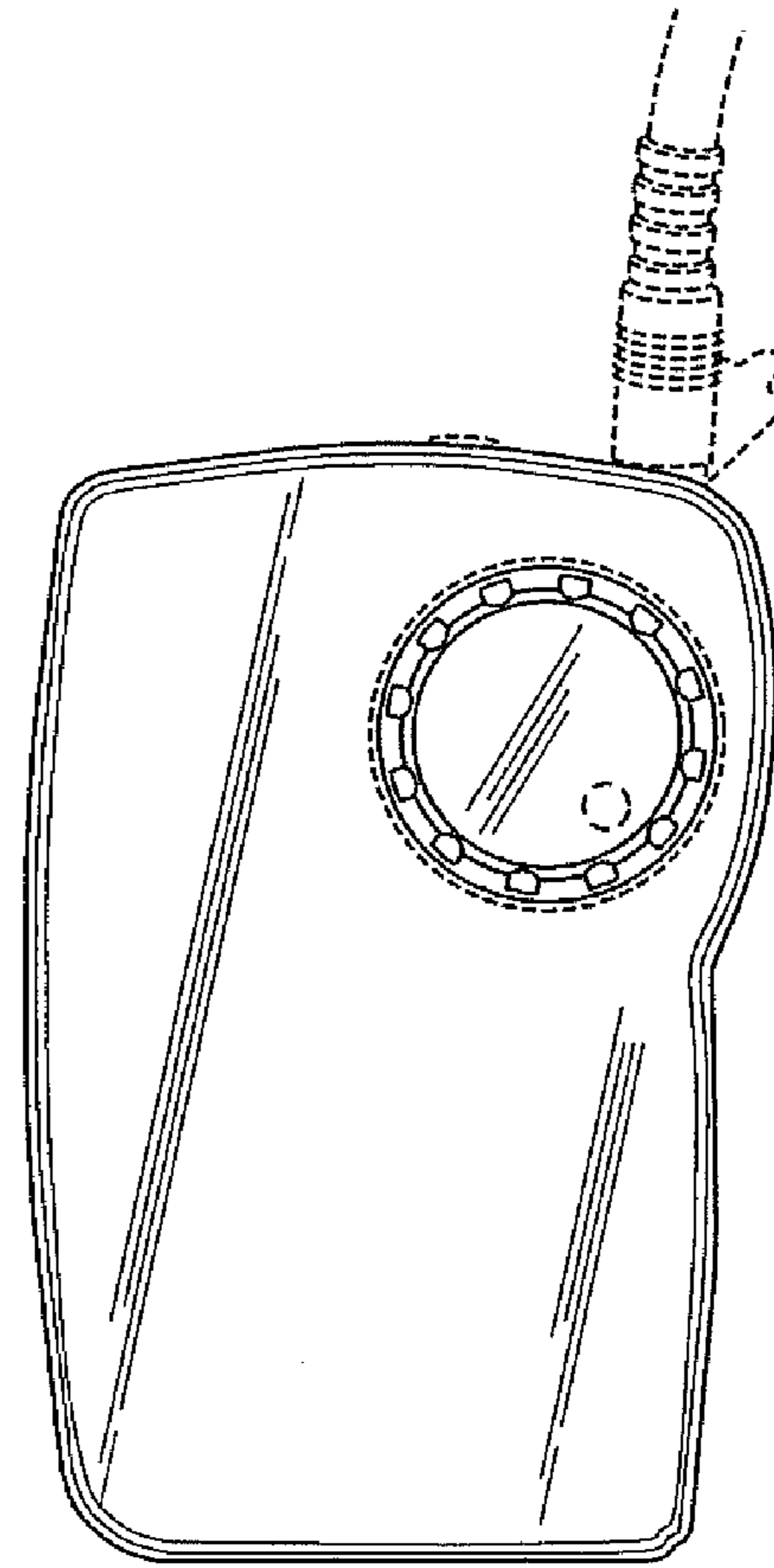
The broken line portions of the figure drawings are included to show unclaimed subject matter only and form no part of the claimed design.

**1 Claim, 2 Drawing Sheets**

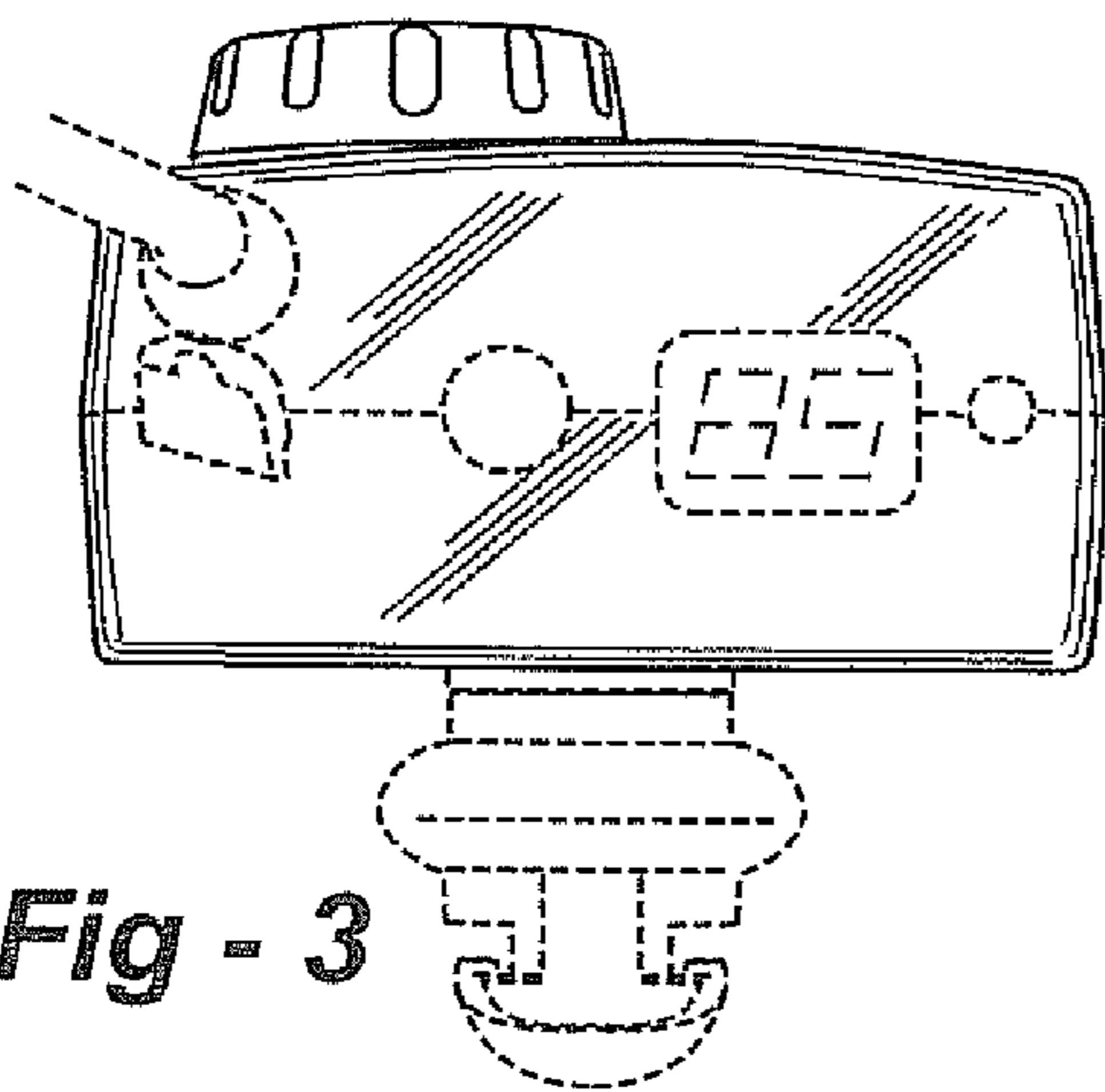




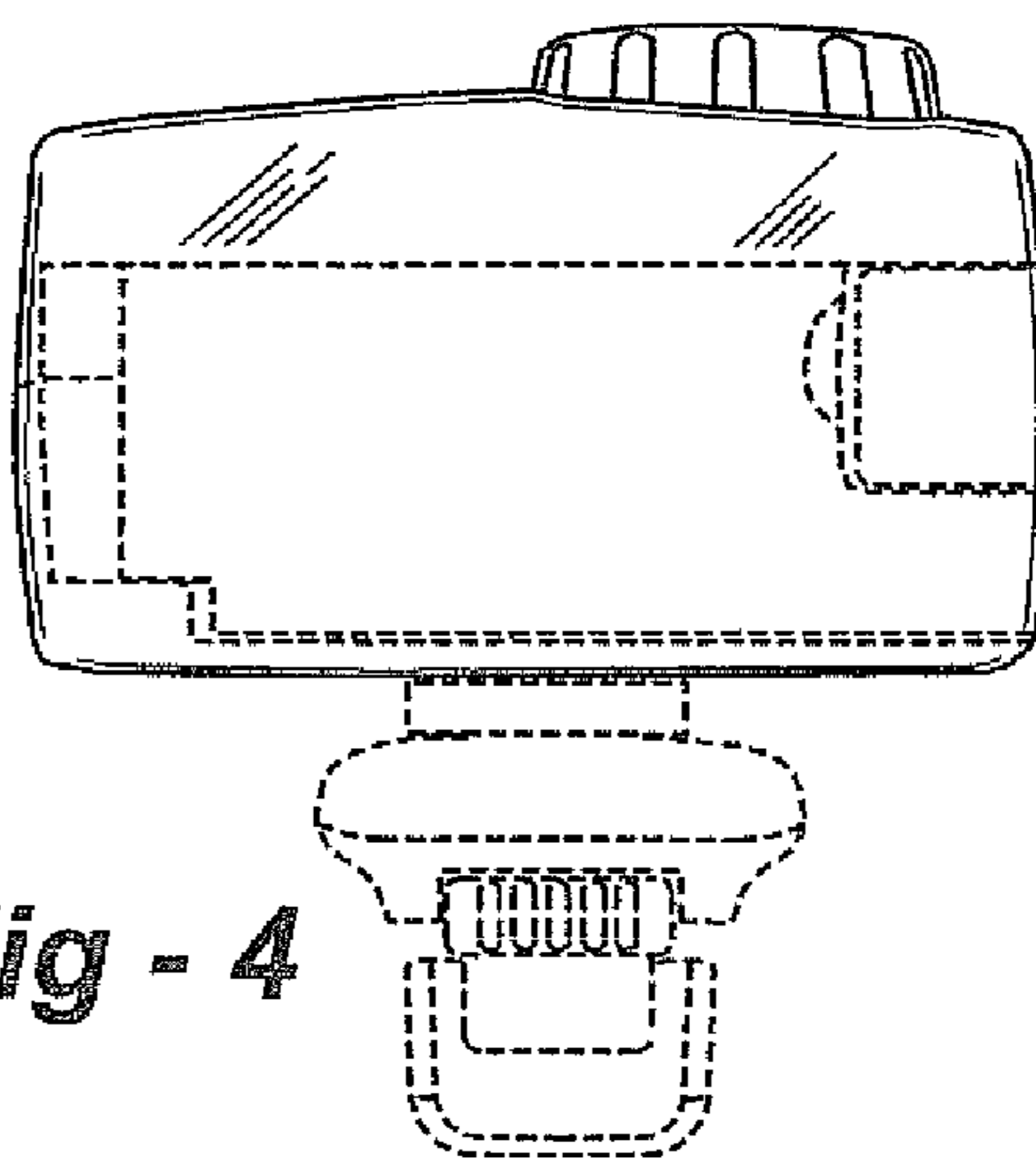
**Fig - 1**



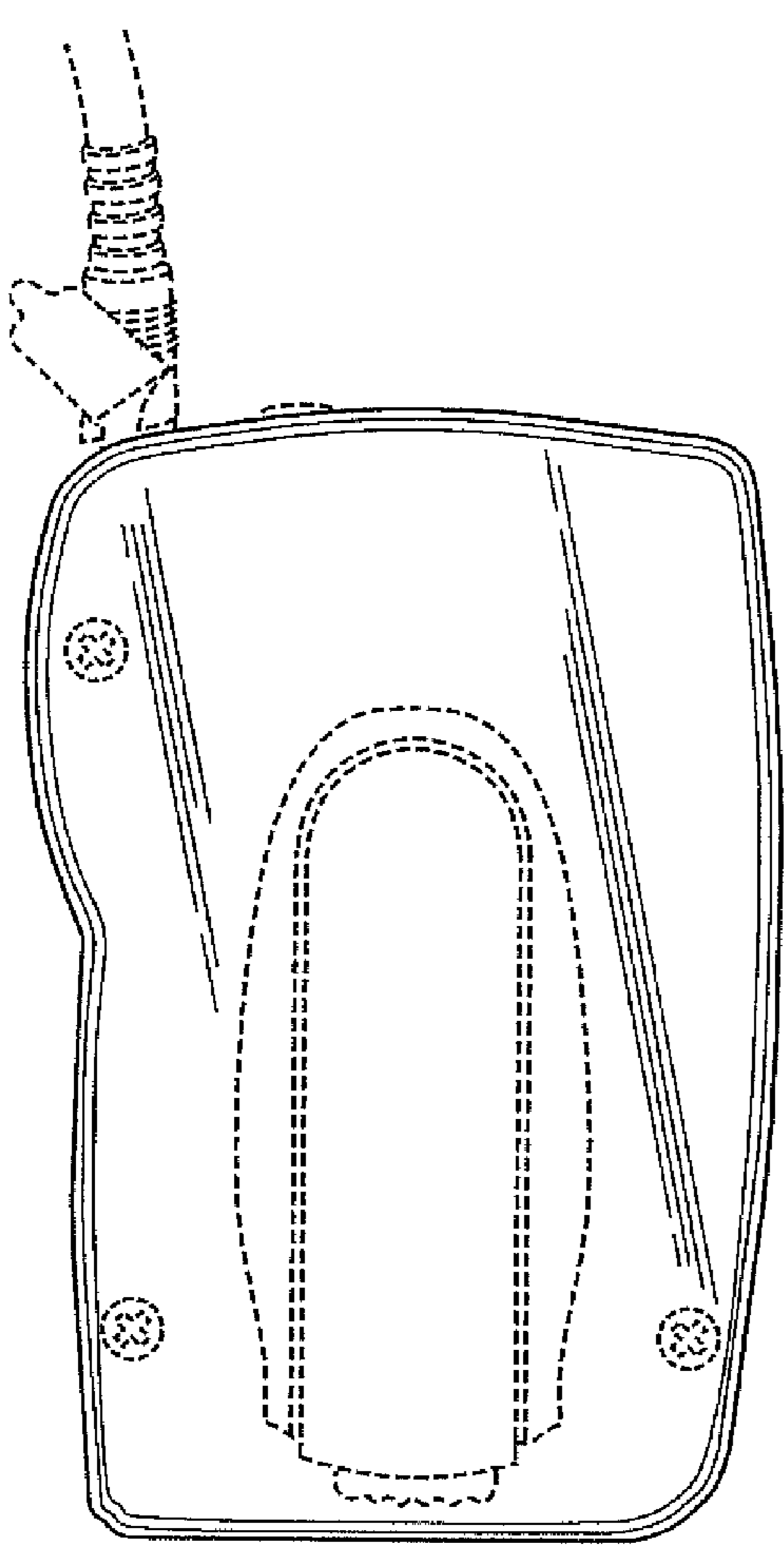
**Fig - 2**



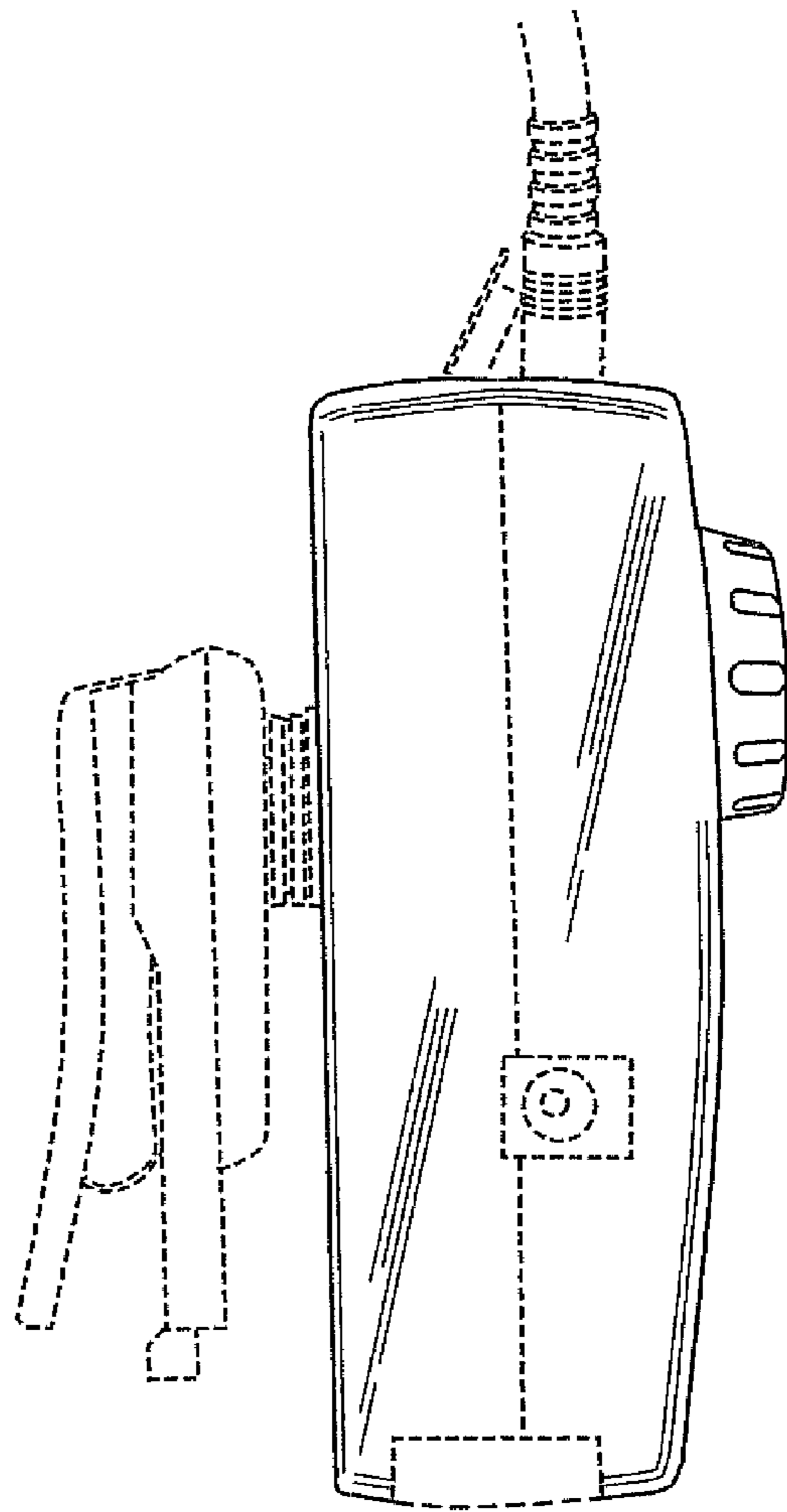
**Fig - 3**



**Fig - 4**



**Fig - 5**



**Fig - 6**